



US00D802762S

(12) **United States Design Patent** (10) **Patent No.:** **US D802,762 S**  
**Ogane** (45) **Date of Patent:** **\*\* Nov. 14, 2017**

- (54) **SURGICAL KNIFE**
- (71) Applicant: **MANI, INC.**, Utsunomiya Tochigi (JP)
- (72) Inventor: **Kaoru Ogane**, Utsunomiya Tochigi (JP)
- (73) Assignee: **MANI, INC.**, Utsunomiya Tochigi (JP)
- (\*\*) Term: **15 Years**
- (21) Appl. No.: **29/539,946**
- (22) Filed: **Sep. 18, 2015**

**Related U.S. Application Data**

- (62) Division of application No. 29/499,363, filed on Aug. 14, 2014, now Pat. No. Des. 750,780.

**Foreign Application Priority Data**

- Feb. 18, 2014 (JP) ..... 2014-3246
- Feb. 18, 2014 (JP) ..... 2014-3247
- Feb. 18, 2014 (JP) ..... 2014-3248

- (51) **LOC (10) Cl.** ..... **24-02**
- (52) **U.S. Cl.**  
USPC ..... **D24/146**

- (58) **Field of Classification Search**  
USPC ..... D7/649; D8/93, 97, 300, 310, 311, 313;  
D19/110, 115; D24/127, 130, 133, 146,  
D24/147, 148  
CPC .. B26B 3/00; B26B 1/10; B26B 5/005; A61B  
17/809; A61B 17/1617; A61B 17/3211;  
A61B 5/1411; A61B 17/3417  
See application file for complete search history.

(56) **References Cited**

**U.S. PATENT DOCUMENTS**

- D384,743 S 10/1997 Chia
- D391,361 S 2/1998 Evans et al.

- D393,715 S 4/1998 Strickland
- D421,303 S 2/2000 Cote et al.
- D463,555 S 9/2002 Etter et al.
- 6,503,262 B1 1/2003 Edens
- D565,733 S 4/2008 Andre
- D619,251 S 7/2010 Justiniano-Garcia et al.
- 7,909,840 B2 3/2011 Cote et al.
- D639,432 S 6/2011 Trees et al.
- D642,682 S 8/2011 Chaudhary et al.
- D741,483 S \* 10/2015 Solingen ..... D24/146
- 2006/0085019 A1 4/2006 Cote et al.
- 2008/0058843 A1 3/2008 Morawski et al.
- 2009/0204135 A1 8/2009 Cote

\* cited by examiner

*Primary Examiner* — Robert M Spear

*Assistant Examiner* — Marissa J Cash

(74) *Attorney, Agent, or Firm* — Shlesinger, Arkwright & Garvey LLP

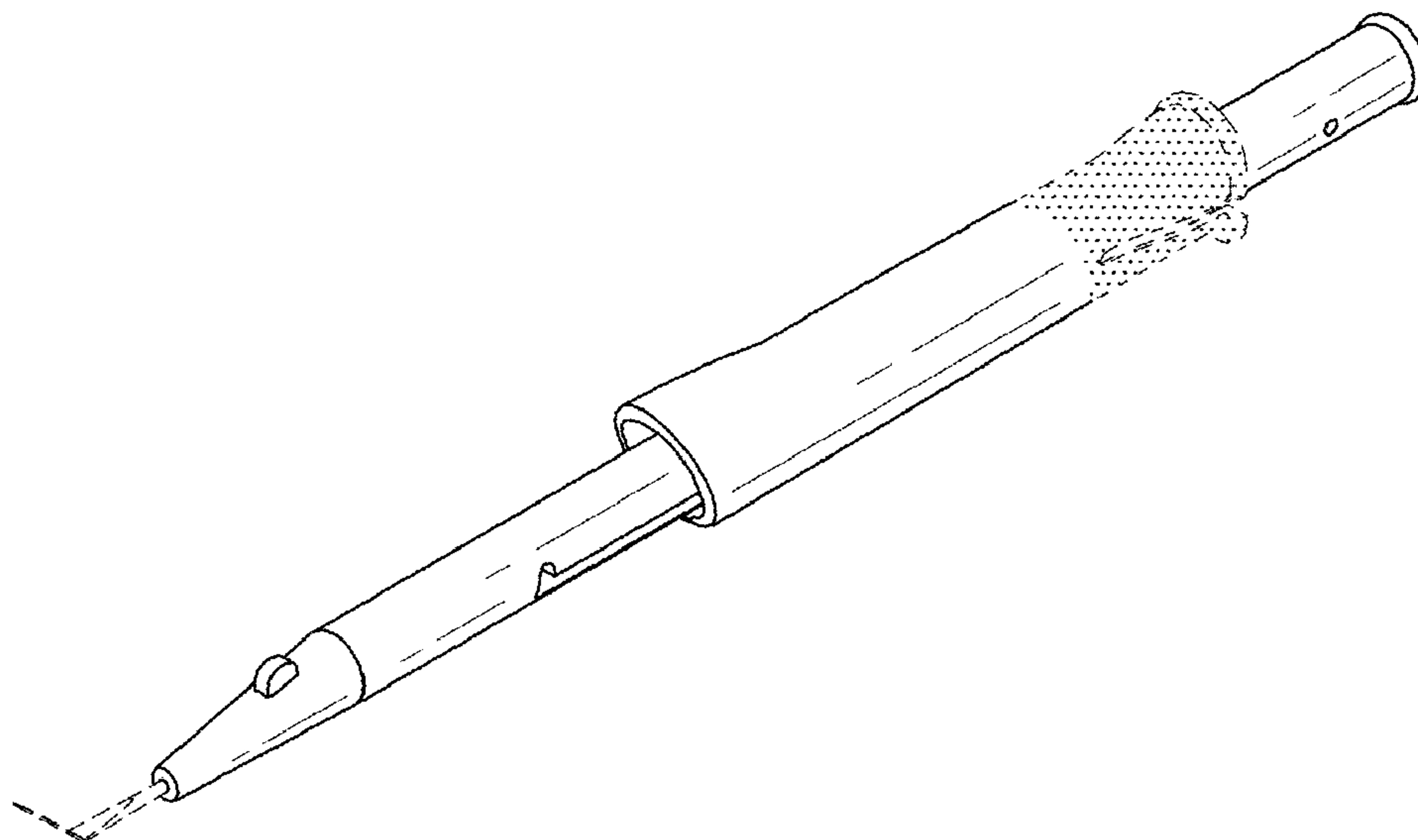
(57) **CLAIM**

The ornamental design for a surgical knife, as shown and described.

**DESCRIPTION**

FIG. 1 is a perspective view of a surgical knife, showing my new design;  
 FIG. 2 is a longitudinal top view of FIG. 1;  
 FIG. 3 is a bottom longitudinal view of FIG. 1;  
 FIG. 4 is a left side elevational view of FIG. 1;  
 FIG. 5 is a right side elevational view of FIG. 1;  
 FIG. 6 is a front end view of FIG. 1;  
 FIG. 7 is a rear end view of FIG. 1;  
 FIG. 8 is a perspective view of FIG. 1 with the cover in the closed position; and,  
 FIG. 9 is a right side elevational view of FIG. 8.  
 The broken lines represent the environment of the surgical knife and form no part of the claimed design.

**1 Claim, 3 Drawing Sheets**



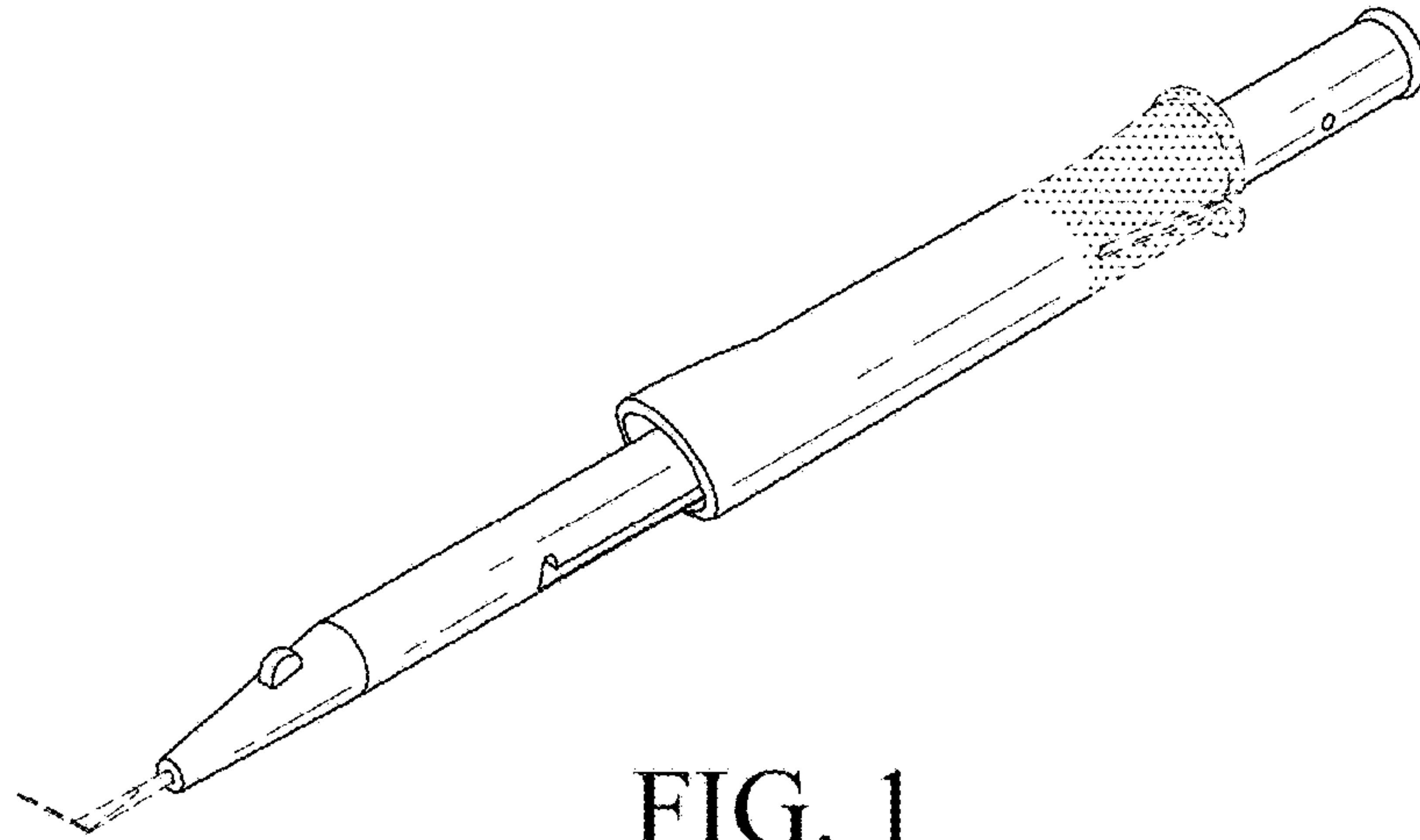


FIG. 1



FIG. 2

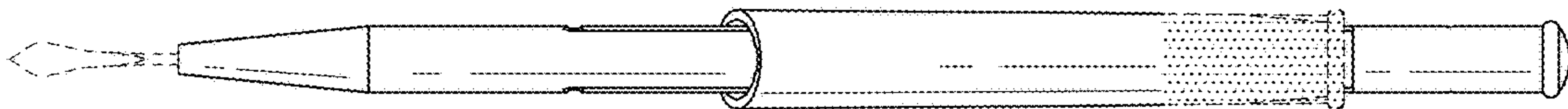


FIG. 3

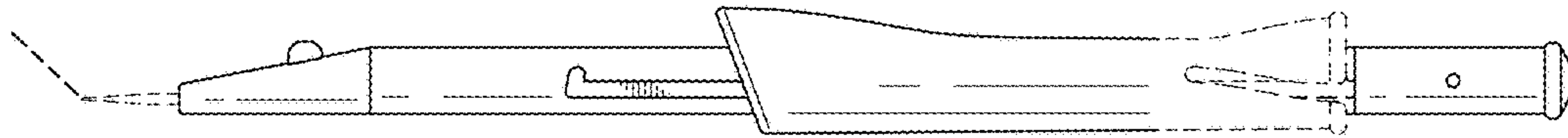


FIG. 4

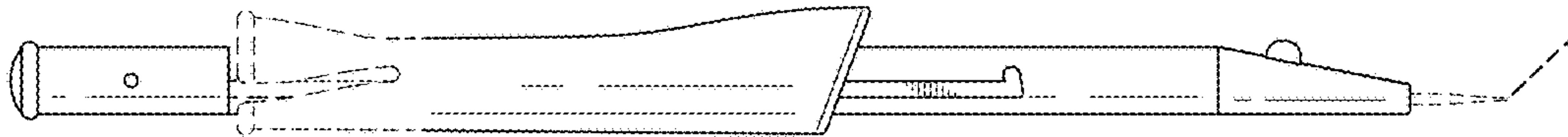


FIG. 5

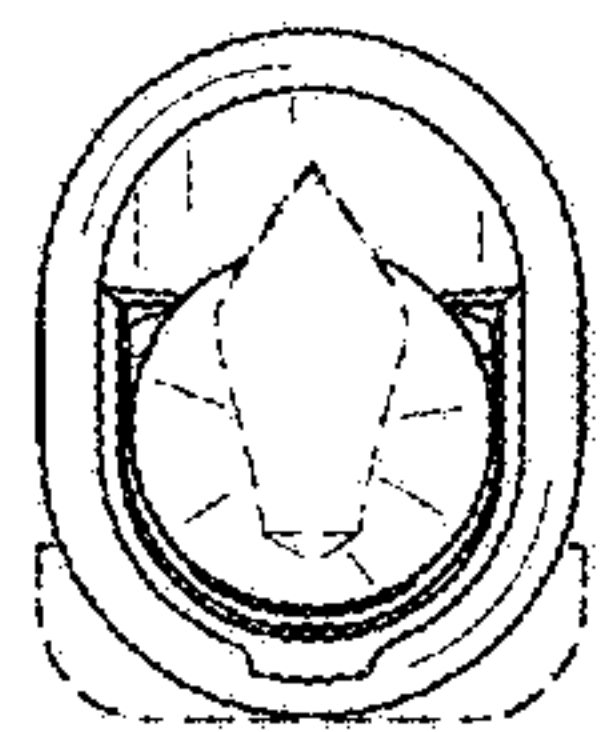


FIG. 6

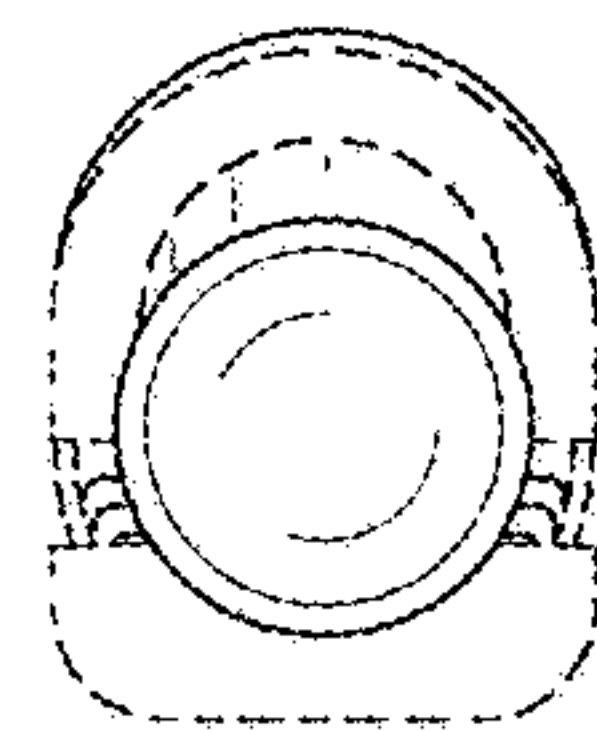


FIG. 7

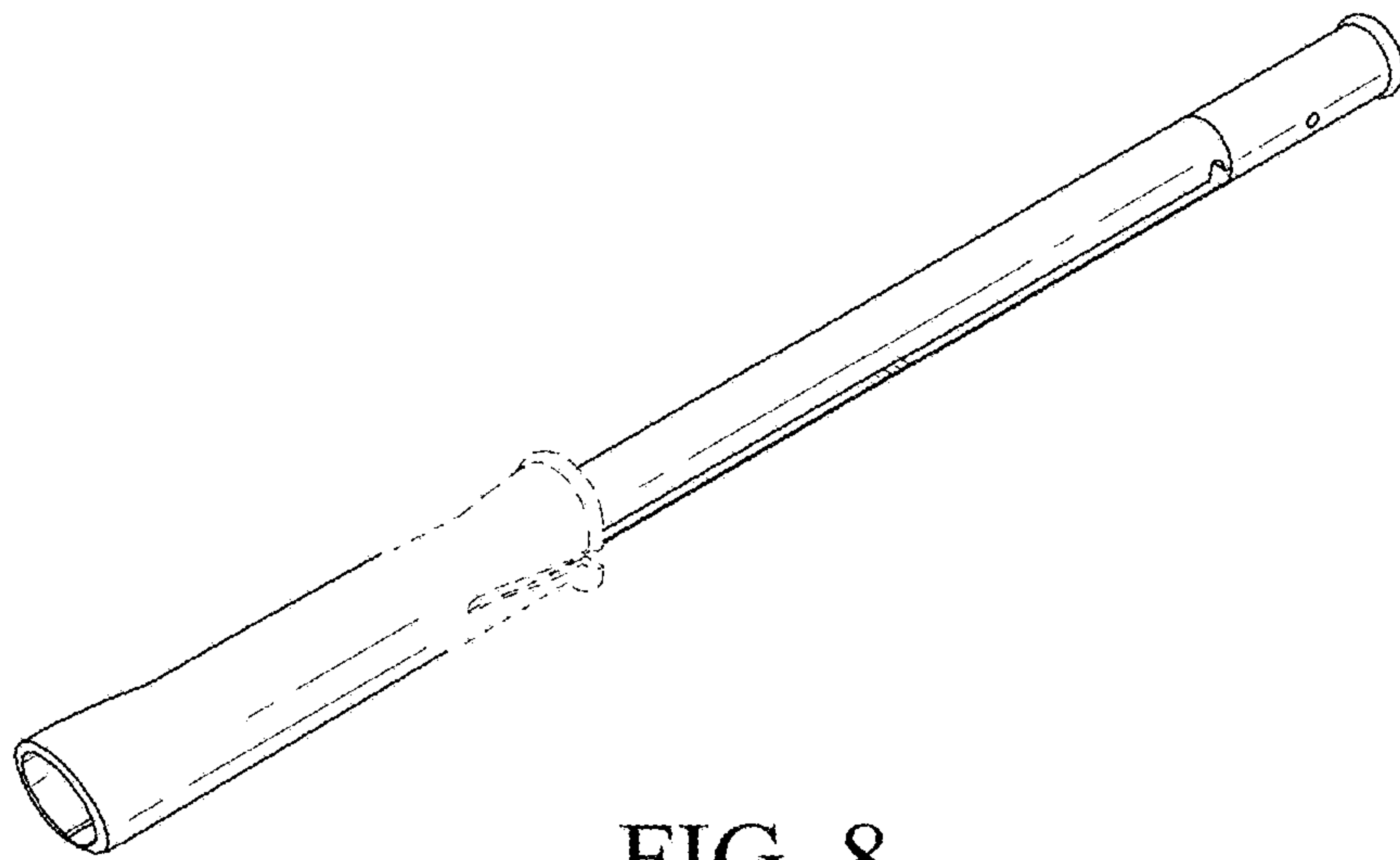


FIG. 8

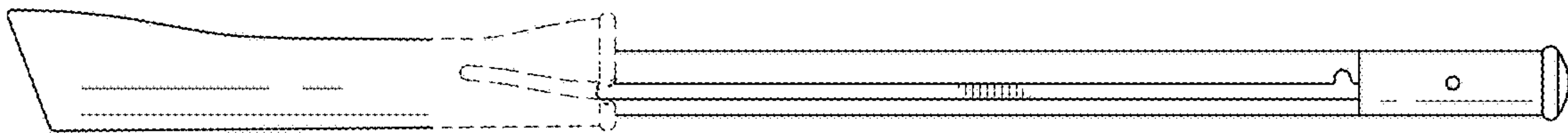


FIG. 9

UNITED STATES PATENT AND TRADEMARK OFFICE  
**CERTIFICATE OF CORRECTION**

PATENT NO. : D802,762 S  
APPLICATION NO. : 29/539946  
DATED : November 14, 2017  
INVENTOR(S) : Kaoru Ogane

Page 1 of 3

It is certified that error appears in the above-identified patent and that said Letters Patent is hereby corrected as shown below:

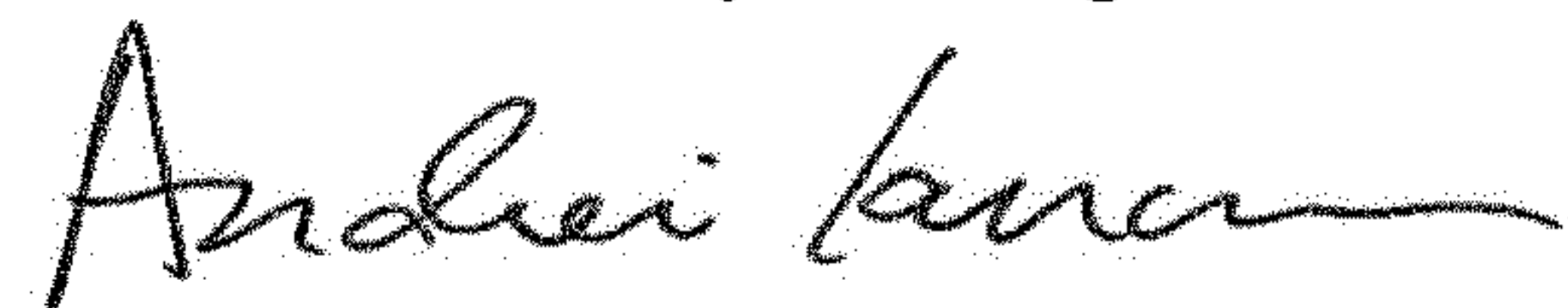
On the Title Page

Please delete title page and replace with new title page showing corrected Fig. 1.

In the Drawings

The drawing Sheet 1 of 3, depicting Figs. 1-3 is replaced with the attached Replacement Sheet 1 of 3.

Signed and Sealed this  
Fourteenth Day of August, 2018



Andrei Iancu  
*Director of the United States Patent and Trademark Office*



(12) **United States Design Patent** (10) **Patent No.:** **US D802,762 S**  
**Ogane** (45) **Date of Patent:** **\*\* Nov. 14, 2017**

(54) **SURGICAL KNIFE** D393,715 S 4/1998 Strickland  
 D421,303 S 2/2000 Cote et al.  
 D463,555 S 9/2002 Etter et al.  
 6,503,262 B1 1/2003 Edens  
 D565,733 S 4/2008 Andre  
 D619,251 S 7/2010 Justiniano-Garcia et al.  
 7,909,840 B2 3/2011 Cote et al.  
 D639,432 S 6/2011 Trees et al.  
 D642,682 S 8/2011 Chaudhary et al.  
 D741,483 S \* 10/2015 Solingen ..... D24/146  
 2006/0085019 A1 4/2006 Cote et al.  
 2008/0058843 A1 3/2008 Morawski et al.  
 2009/0204135 A1 8/2009 Cote

(71) Applicant: **MANI, INC.**, Utsunomiya Tochigi (JP)  
 (72) Inventor: **Kaoru Ogane**, Utsunomiya Tochigi (JP)  
 (73) Assignee: **MANI, INC.**, Utsunomiya Tochigi (JP)  
 (\*\*) Term: **15 Years**  
 (21) Appl. No.: **29/539,946**  
 (22) Filed: **Sep. 18, 2015**

**Related U.S. Application Data**

(62) Division of application No. 29/499,363, filed on Aug. 14, 2014, now Pat. No. Des. 750,780.

(30) **Foreign Application Priority Data**

Feb. 18, 2014 (JP) ..... 2014-3246  
 Feb. 18, 2014 (JP) ..... 2014-3247  
 Feb. 18, 2014 (JP) ..... 2014-3248

(51) **LOC (10) Cl.** ..... **24-02**

(52) **U.S. Cl.**  
 USPC ..... **D24/146**

(58) **Field of Classification Search**  
 USPC ..... D7/649; D8/93, 97, 300, 310, 311, 313;  
 D19/110, 115; D24/127, 130, 133, 146,  
 D24/147, 148  
 CPC .. B26B 3/00; B26B 1/10; B26B 5/005; A61B  
 17/809; A61B 17/1617; A61B 17/3211;  
 A61B 5/1411; A61B 17/3417  
 See application file for complete search history.

(56) **References Cited**

**U.S. PATENT DOCUMENTS**

D384,743 S 10/1997 Chia  
 D391,361 S 2/1998 Evans et al.

\* cited by examiner

*Primary Examiner* — Robert M Spear  
*Assistant Examiner* — Marissa J Cash  
 (74) *Attorney, Agent, or Firm* — Shlesinger, Arkwright & Garvey LLP

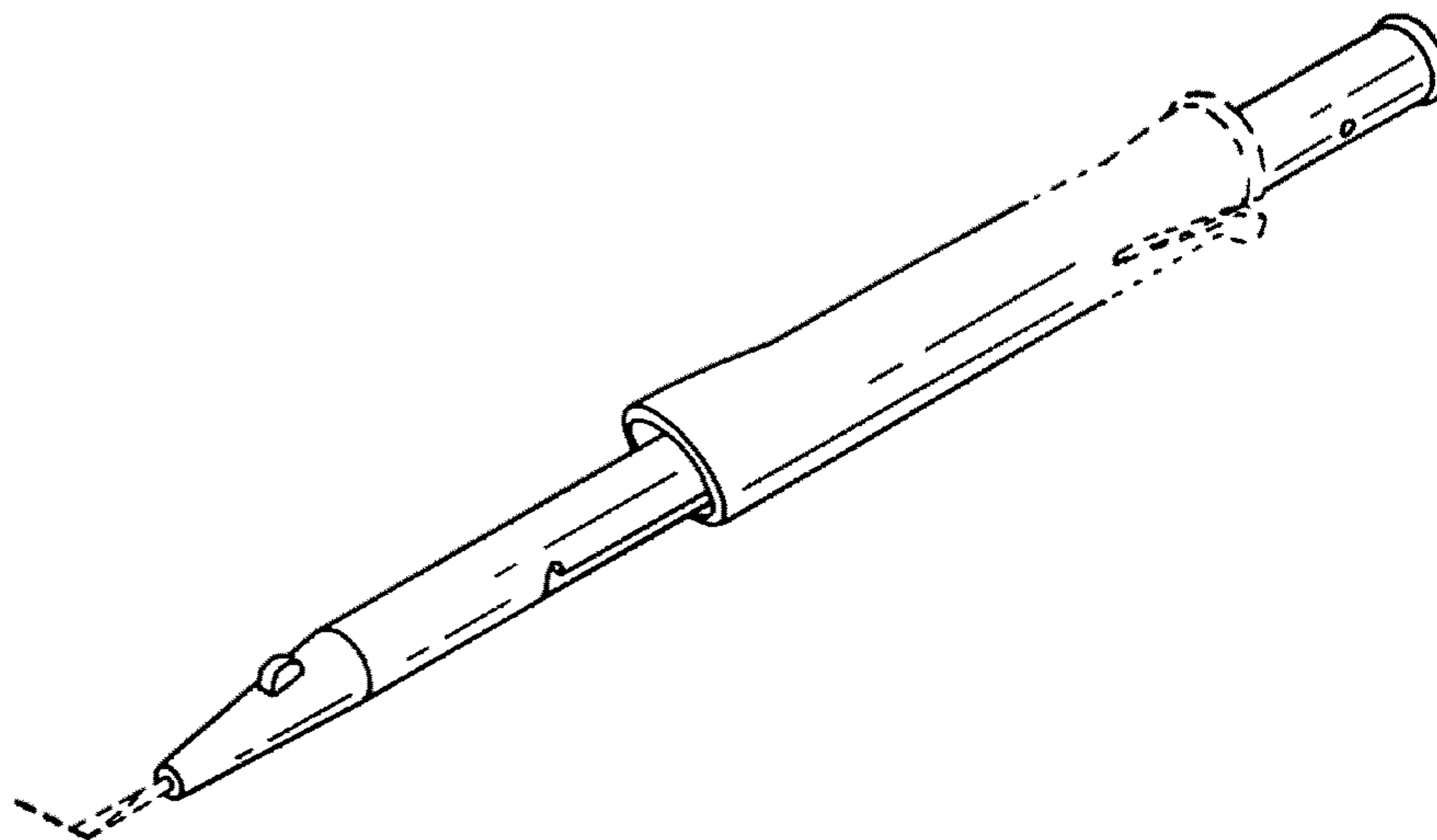
(57) **CLAIM**

The ornamental design for a surgical knife, as shown and described.

**DESCRIPTION**

FIG. 1 is a perspective view of a surgical knife, showing my new design;  
 FIG. 2 is a longitudinal top view of FIG. 1;  
 FIG. 3 is a bottom longitudinal view of FIG. 1;  
 FIG. 4 is a left side elevational view of FIG. 1;  
 FIG. 5 is a right side elevational view of FIG. 1;  
 FIG. 6 is a front end view of FIG. 1;  
 FIG. 7 is a rear end view of FIG. 1;  
 FIG. 8 is a perspective view of FIG. 1 with the cover in the closed position; and,  
 FIG. 9 is a right side elevational view of FIG. 8.  
 The broken lines represent the environment of the surgical knife and form no part of the claimed design.

**1 Claim, 3 Drawing Sheets**



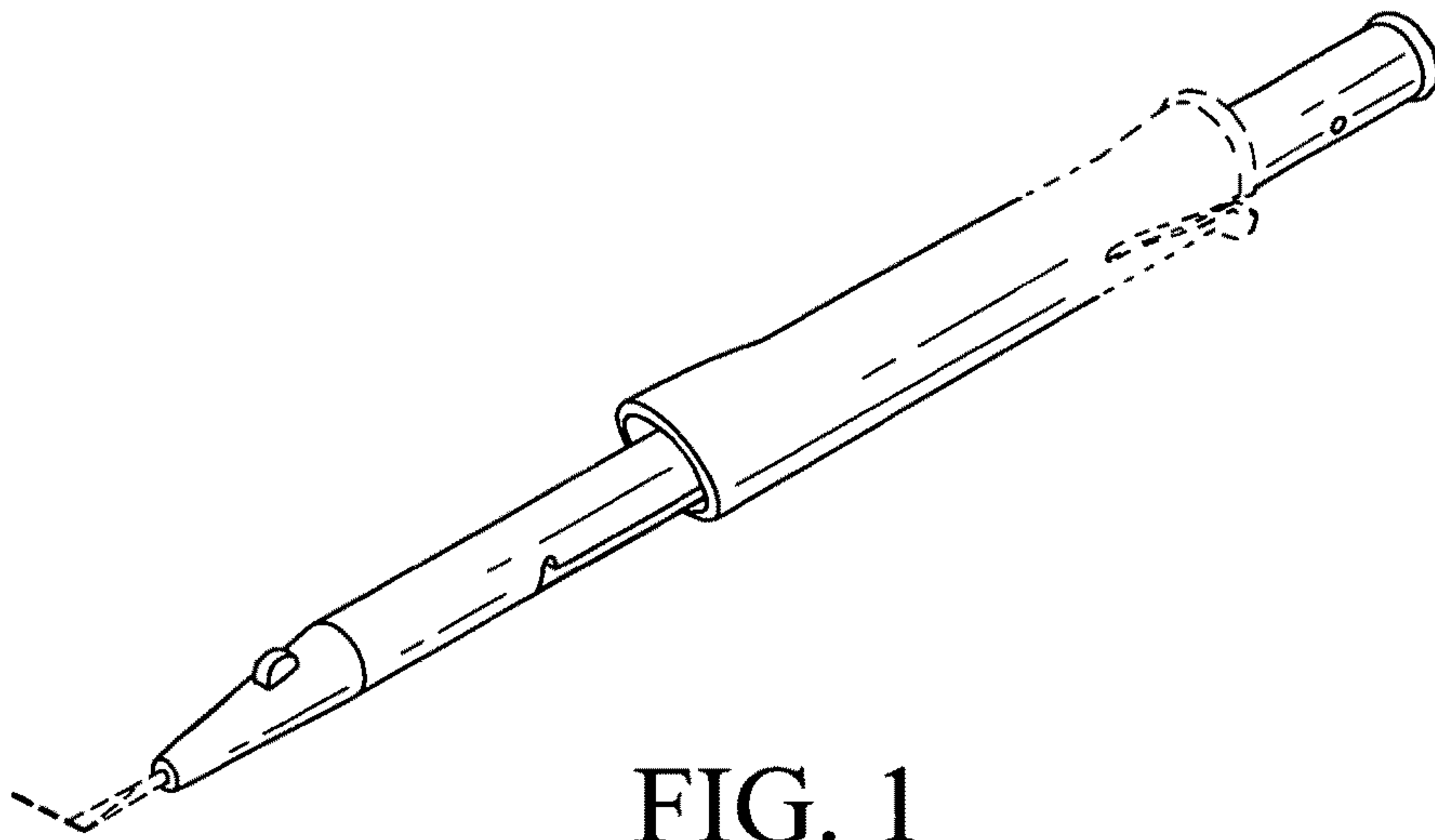


FIG. 1

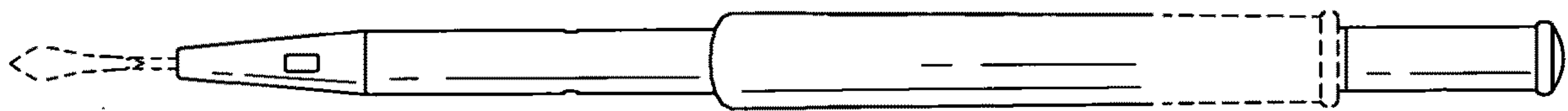


FIG. 2

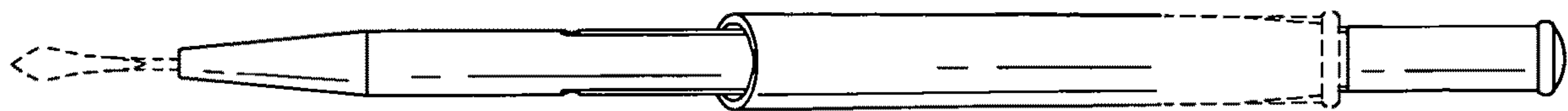


FIG. 3