



US00D802760S

(12) **United States Design Patent** (10) **Patent No.:** **US D802,760 S**
Neby (45) **Date of Patent:** **** Nov. 14, 2017**

- (54) **WIRELESS MODULE FOR A MEDICAL INJECTOR**
- (71) Applicant: **CAREBAY EUROPE LTD**, Swatar (MT)
- (72) Inventor: **Torbjörn Neby**, Hägersten (SE)
- (73) Assignee: **CAREBAY EUROPE LTD**, Swatar (MT)
- (**) Term: **15 Years**
- (21) Appl. No.: **29/555,098**
- (22) Filed: **Feb. 18, 2016**
- (51) **LOC (10) Cl.** **24-02**
- (52) **U.S. Cl.**
USPC **D24/130**
- (58) **Field of Classification Search**
USPC D24/127-131, 112-114, 133, 186;
606/181, 185; 604/264, 523-528, 272,
(Continued)

- (56) **References Cited**

U.S. PATENT DOCUMENTS

D474,651 S * 5/2003 Ward D7/615
D510,139 S * 9/2005 Gilad D24/104
(Continued)

Primary Examiner — David Muller
(74) *Attorney, Agent, or Firm* — McDonnell Boehnen Hulbert & Berghoff LLP

(57) **CLAIM**
The ornamental housing of a wireless module for a medical injector, as shown and described.

DESCRIPTION

The patent or application file contains at least one drawing executed in color. Copies of this patent or patent application

publication with color drawing(s) will be provided by the Office upon request and payment of the necessary fee.

FIG. 1 is a perspective view of the wireless module viewed from the left side of and top of the wireless module, where the housing has a light ring adjacent the top of the housing shown in a deactivated state;

FIG. 2 is a perspective view of the wireless module viewed from the left side of and top of the wireless module illustrating the light ring in an activated state emitting a light;

FIG. 3 is a perspective view of the wireless module viewed from the left side of and top of the wireless module illustrating the light ring in an activated state emitting a yellow light;

FIG. 4 is a perspective view of the wireless module viewed from the left side of and top of the wireless module illustrating the light ring in an activated state emitting a green light;

FIG. 5 is a perspective view of the wireless module viewed from the left side of and top of the wireless module illustrating the light ring in an activated state emitting a purple light;

FIG. 6 is a perspective view of the wireless module viewed from the left side of and top of the wireless module illustrating the light ring in an activated state emitting a light blue light;

FIG. 7 is a perspective view of the wireless module viewed from the left side of and top of the wireless module illustrating the light ring in an activated state emitting a red light;

FIG. 8 is a perspective view of the wireless module viewed from the left side of and top of the wireless module illustrating the light ring in an activated state emitting a dark purple light;

FIG. 9 is a perspective view of the wireless module viewed from the left side of and top of the wireless module illustrating the light ring in an activated state emitting an orange light;

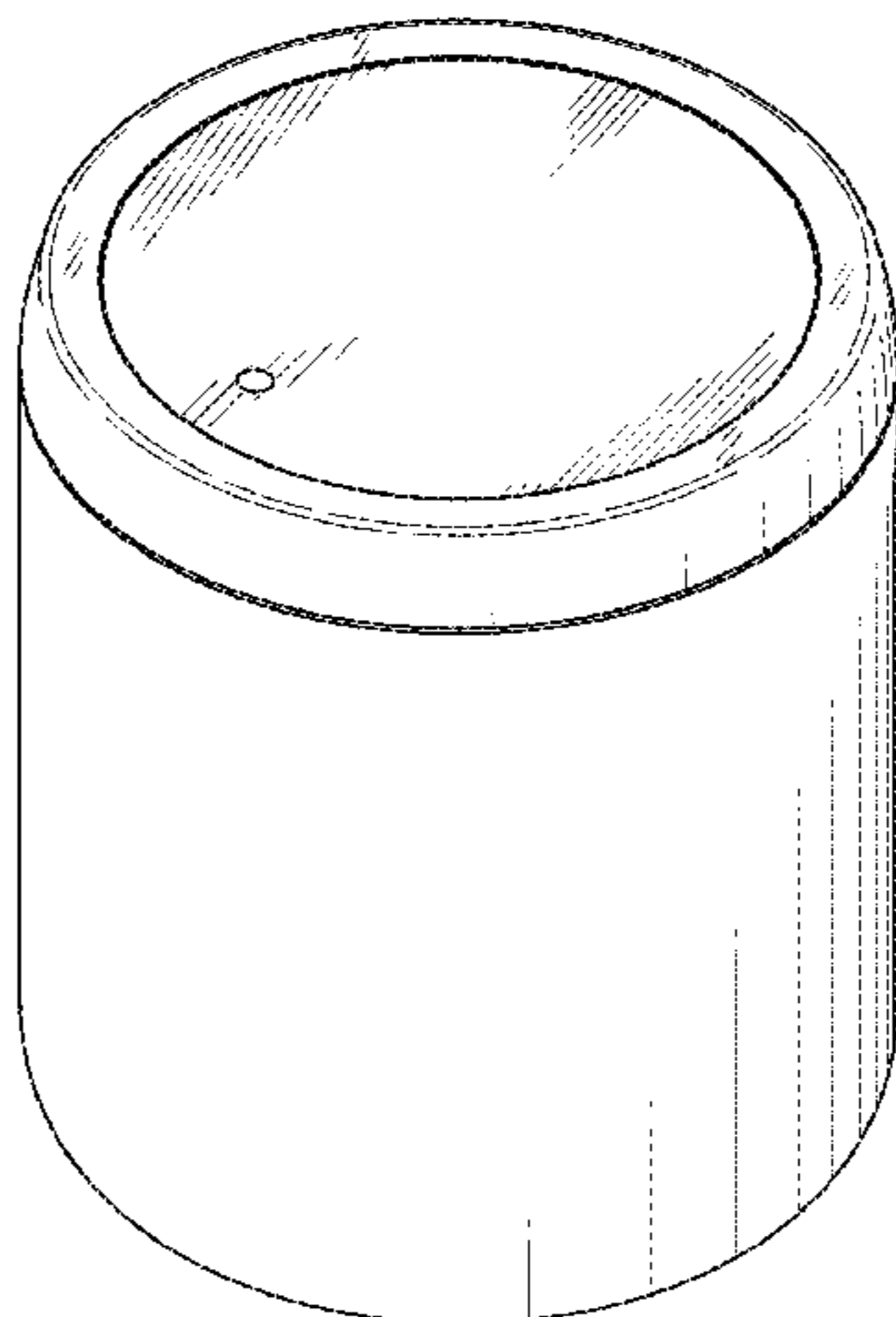
FIG. 10 is a left side view of the housing of the wireless module;

FIG. 11 is a right side view of the housing of the wireless module;

FIG. 12 is a top view of the housing of the wireless module; and,

FIG. 13 is a bottom view of the housing of the wireless module.

(Continued)



The broken line showing is for the purpose of illustrating portions of the article and forms no part of the claimed design. The broken line which defines the bounds of the claimed invention forms no part of the claimed design.

**1 Claim, 7 Drawing Sheets
(4 of 7 Drawing Sheet(s) Filed in Color)**

(58) **Field of Classification Search**

USPC 604/187, 158, 164.01-164.11, 181, 184,
604/227; 600/101, 139, 143;
128/200.24, 207.14, 207.15; D9/529,
D9/549; D7/510
CPC A61M 25/00; A61M 39/00; A61M 27/00;
A61M 25/0043; A61M 25/0067; A61M
25/0097; A61F 2/958

See application file for complete search history.

(56)

References Cited

U.S. PATENT DOCUMENTS

D531,041	S	*	10/2006	Sauer	D28/82
D628,077	S	*	11/2010	Lee	D9/439
D660,711	S	*	5/2012	Watabe	D9/529
D662,122	S	*	6/2012	Goodwin	D16/208
8,409,145	B2	*	4/2013	Raymond	A61M 5/14244 604/157
D710,205	S	*	8/2014	Moretti	D9/529
D732,175	S	*	6/2015	Snyder	D10/104.2
D733,967	S	*	7/2015	Schlatter	D28/85
D771,800	S	*	11/2016	Engelhard	D24/110
D783,838	S	*	4/2017	Zhao	D24/186
D786,084	S	*	5/2017	Kachar	D30/121

* cited by examiner

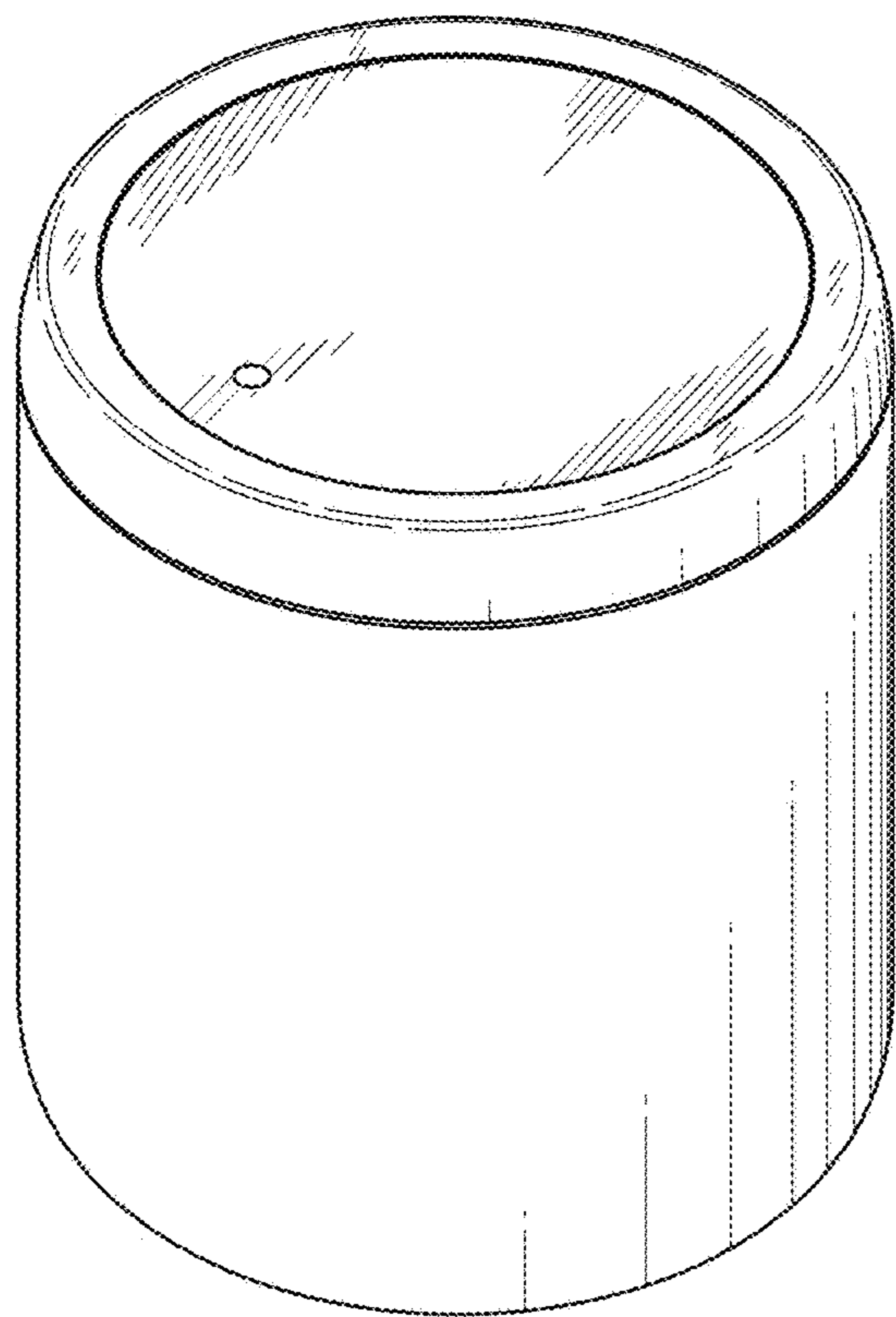


FIG. 1

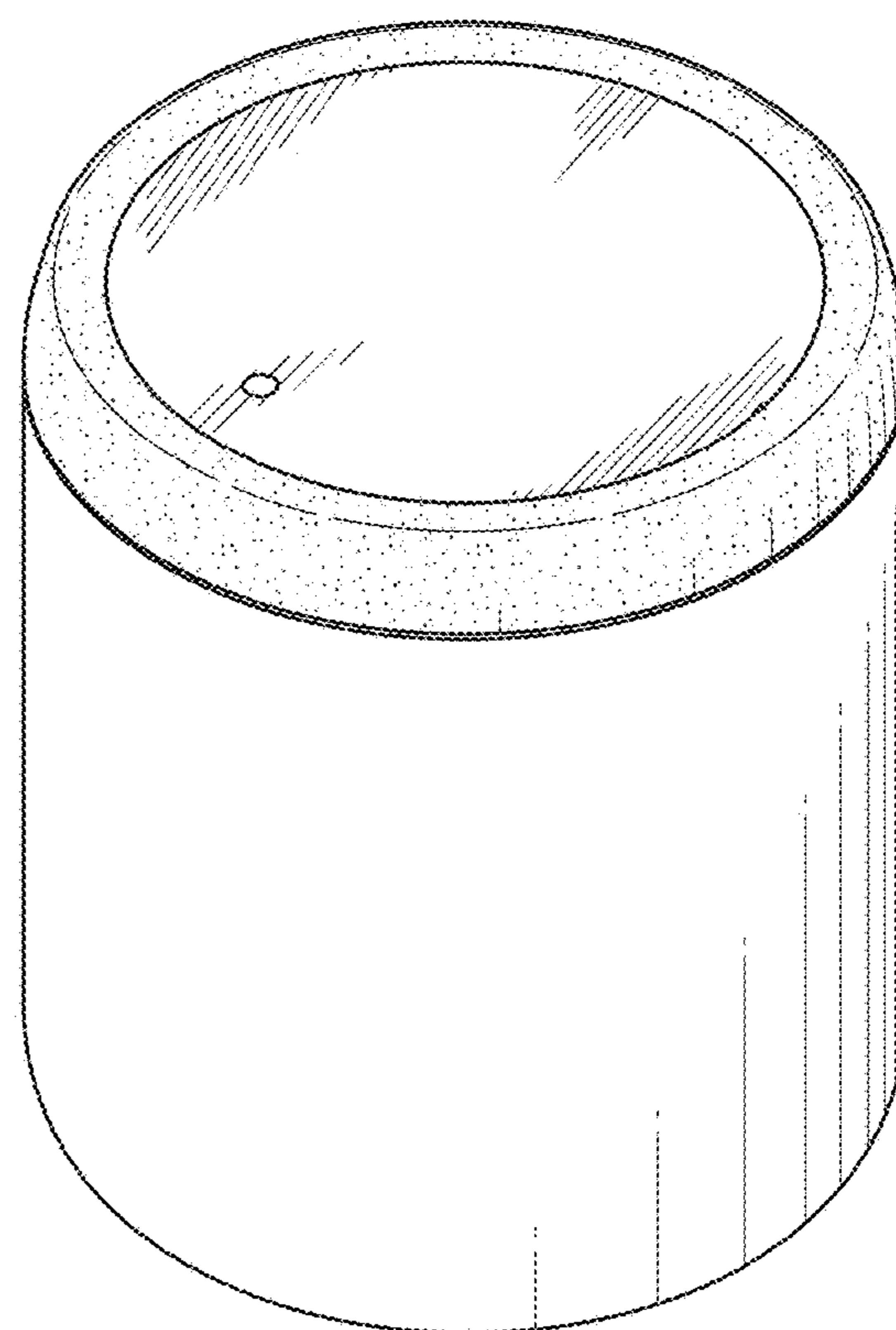


FIG. 2

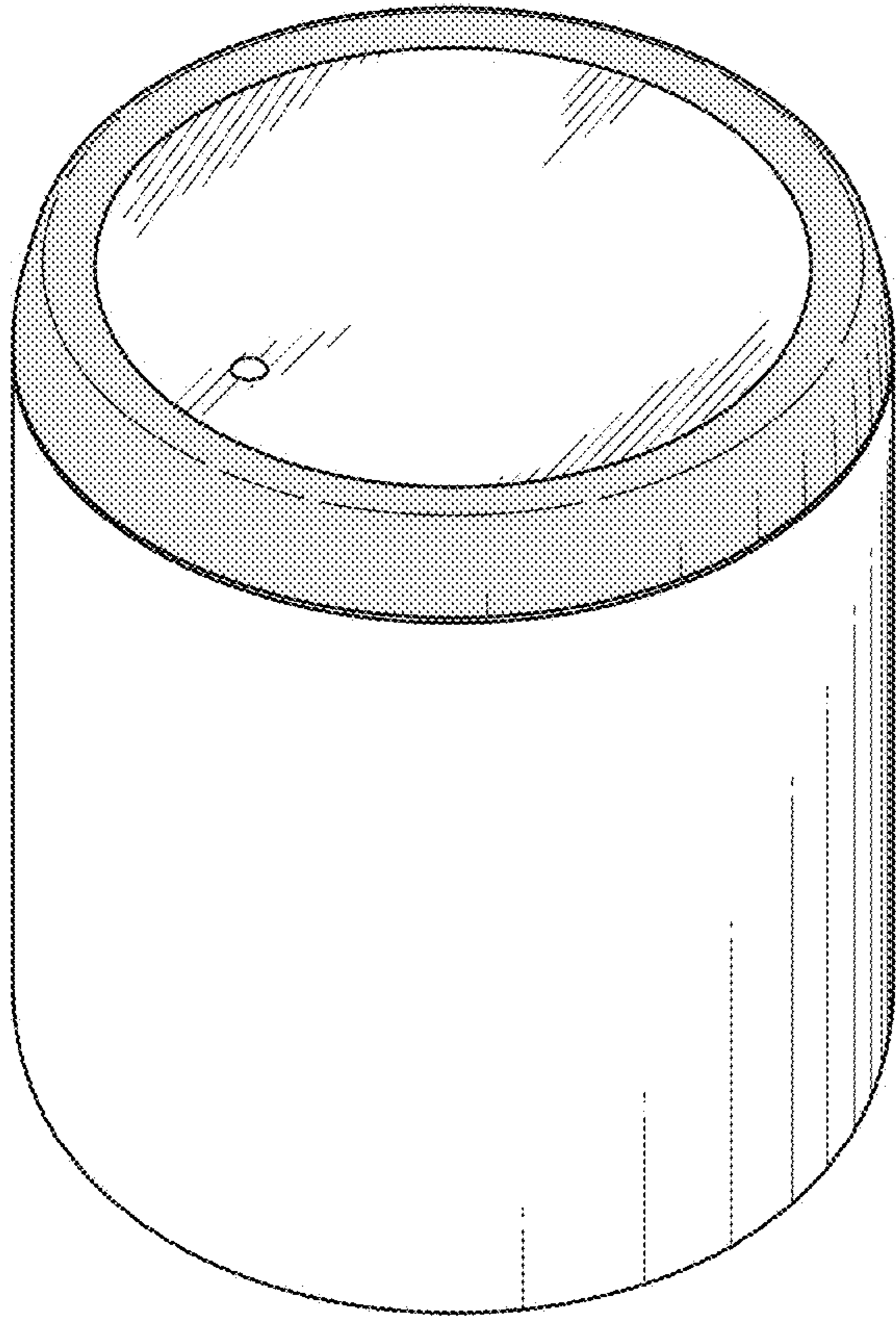


FIG. 3

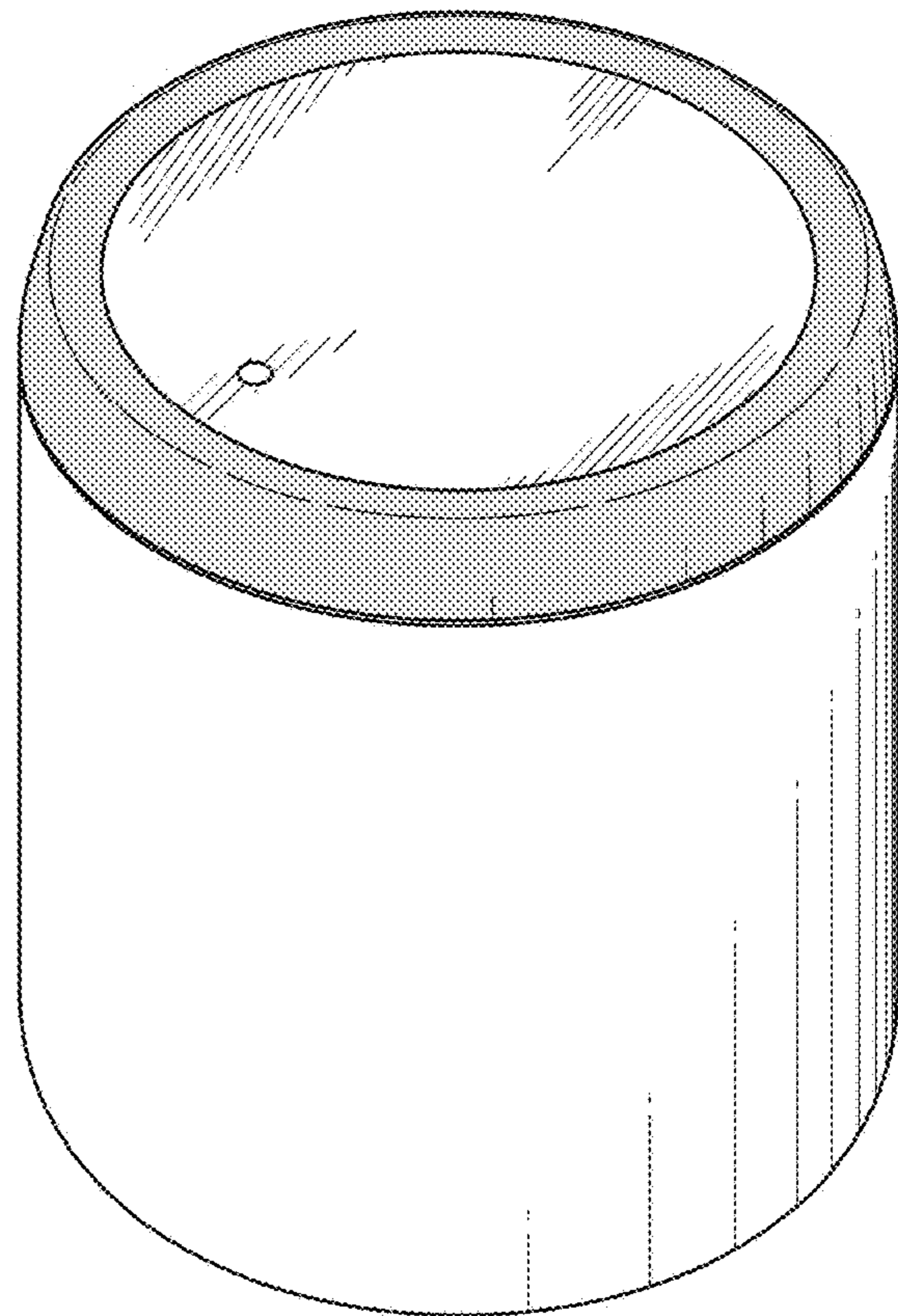


FIG. 4

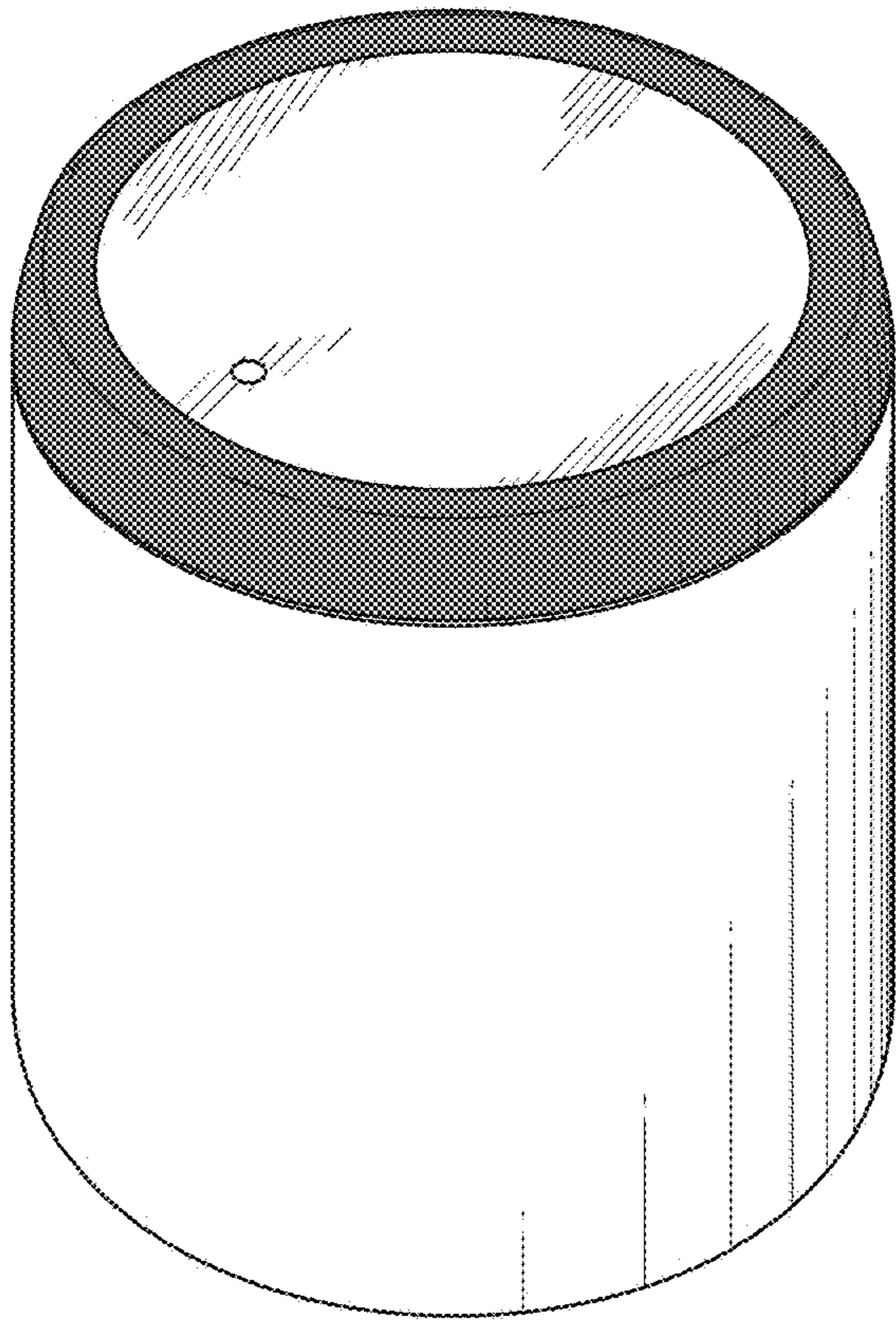


FIG. 5

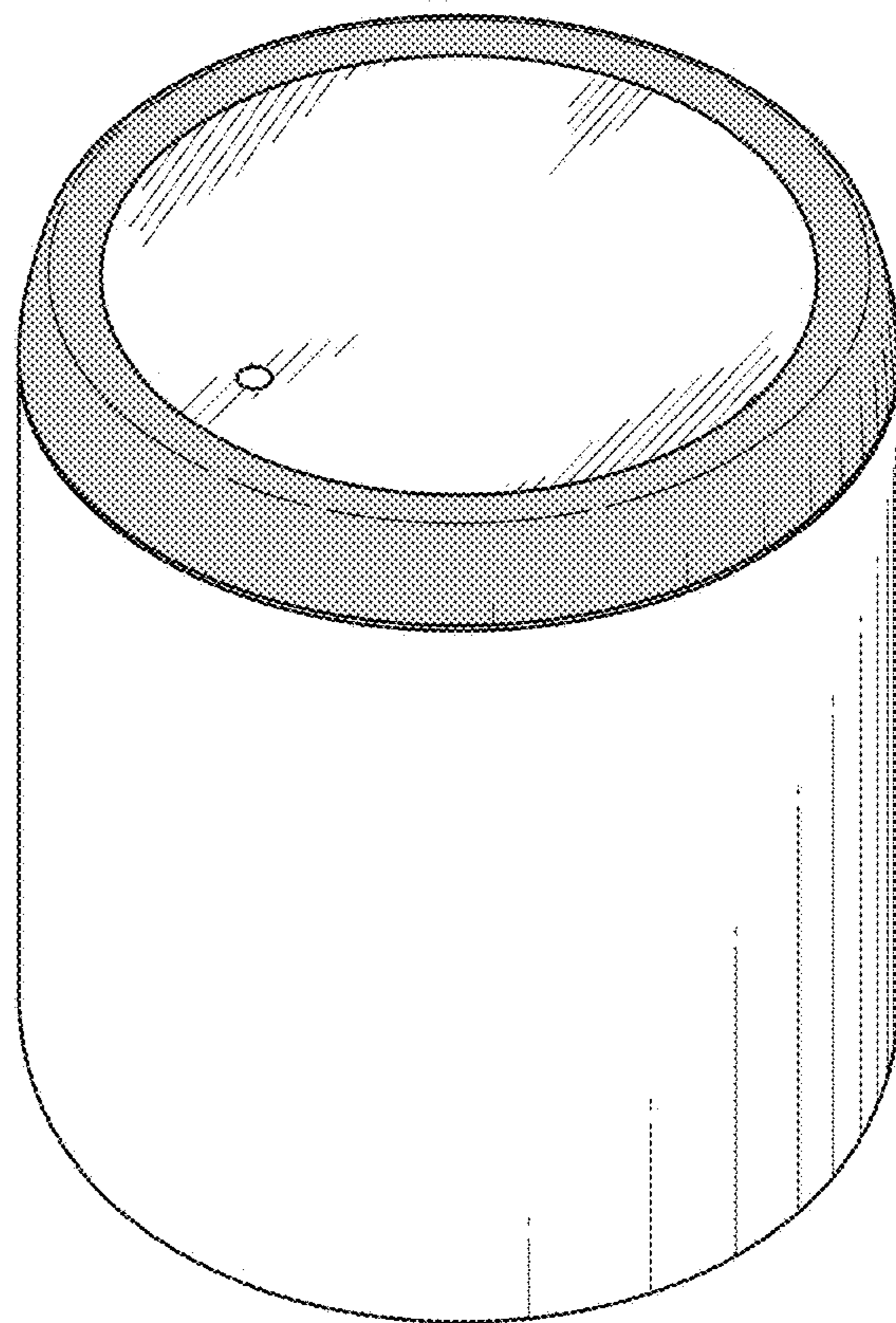


FIG. 6

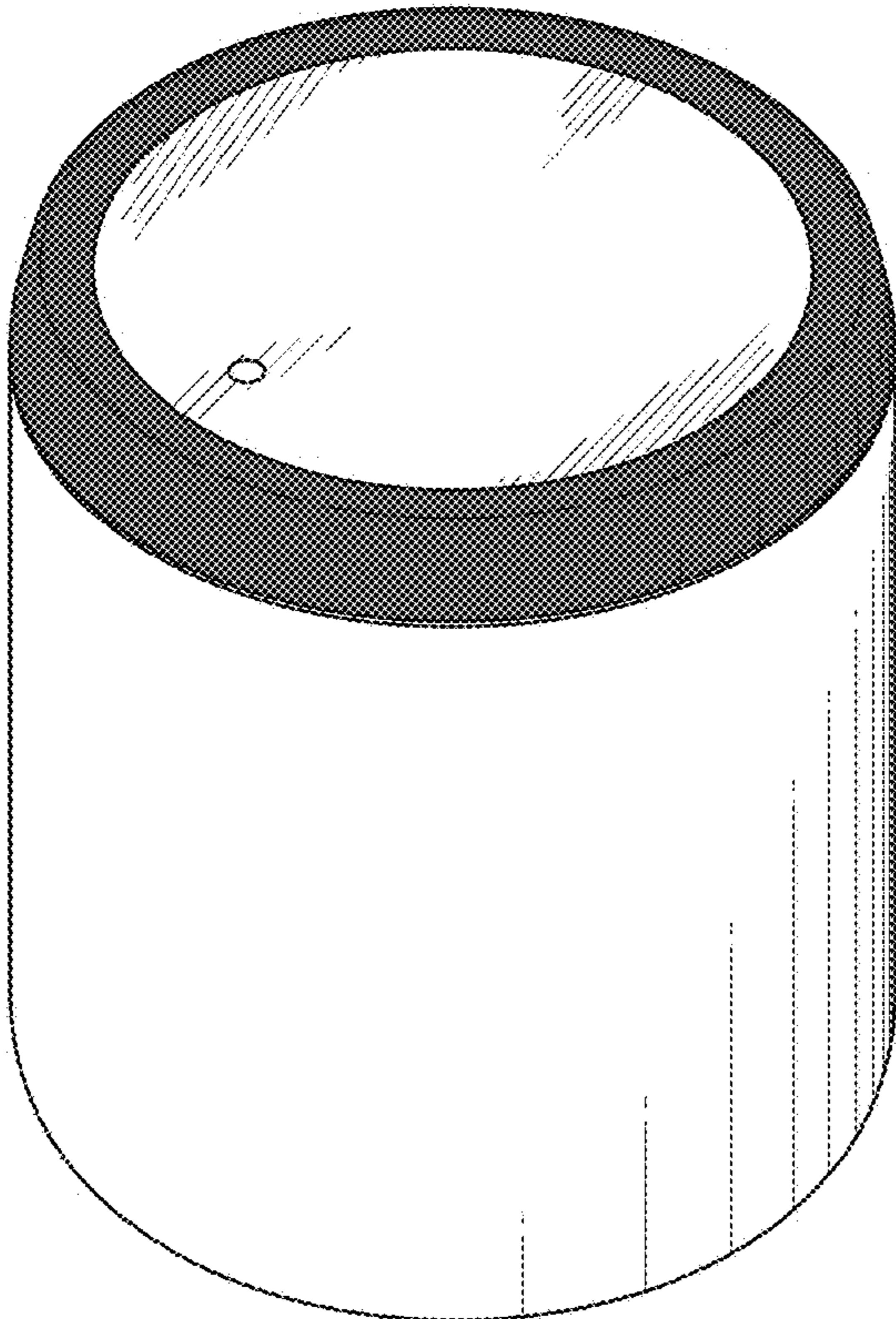


FIG. 7

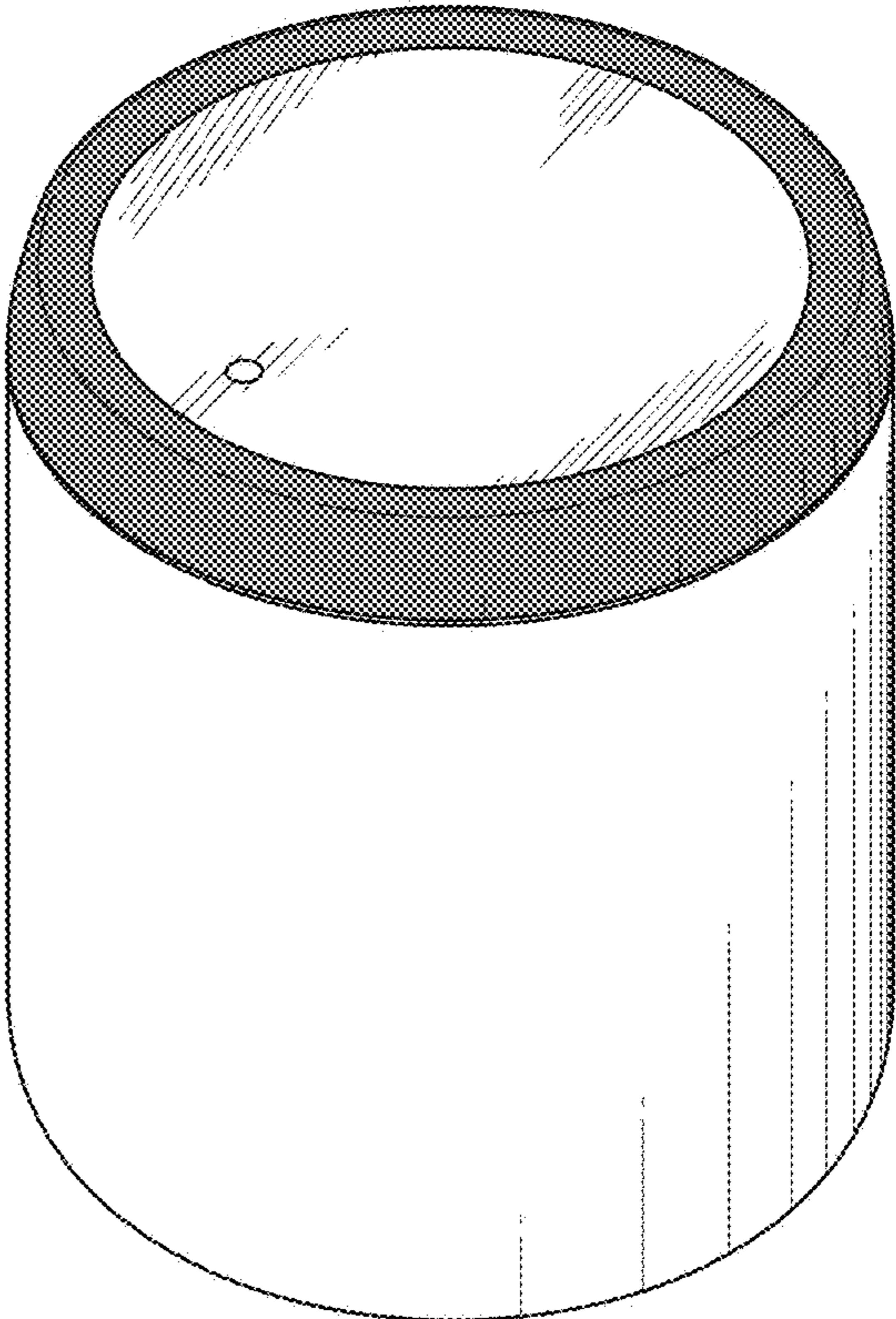


FIG. 8

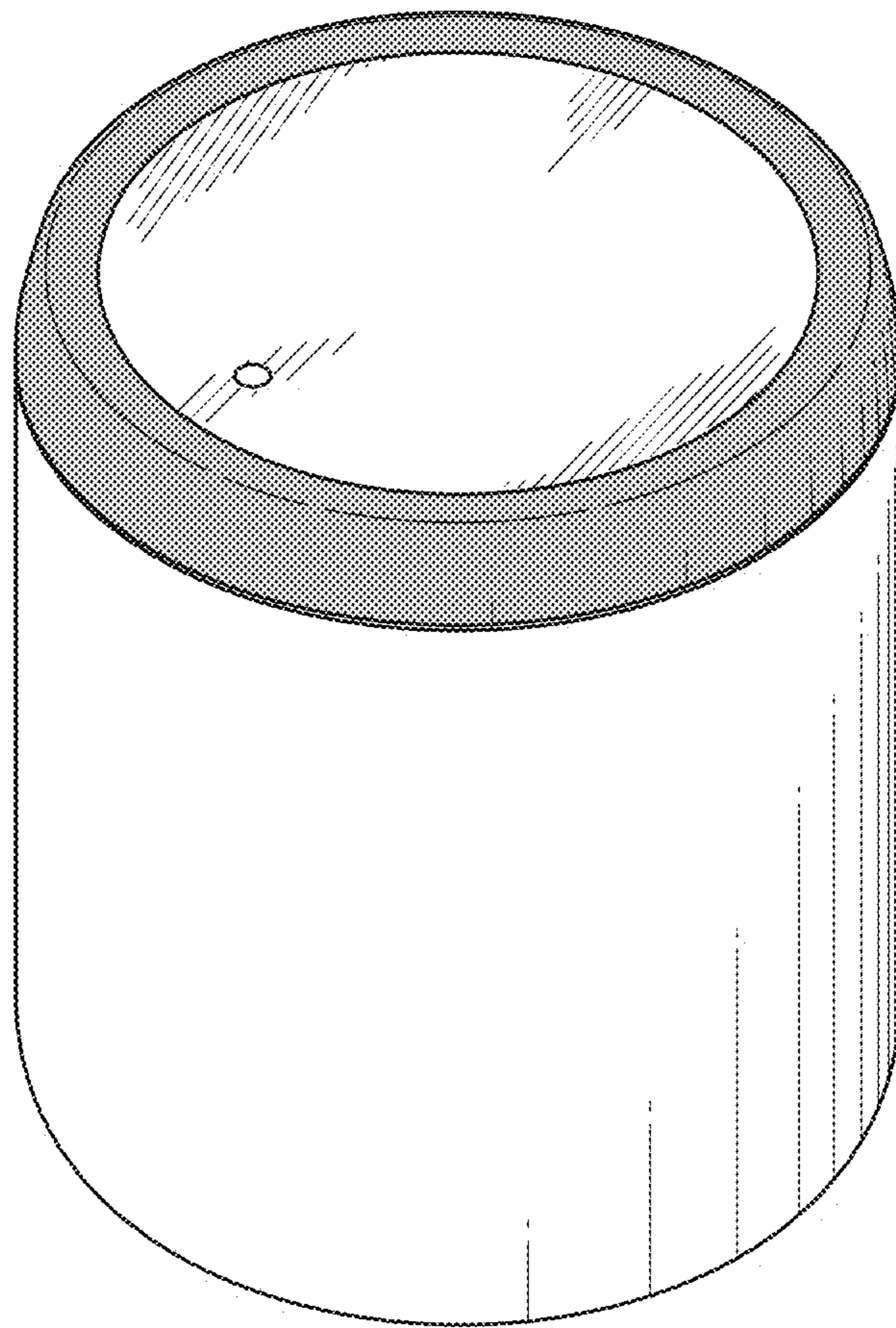


FIG. 9

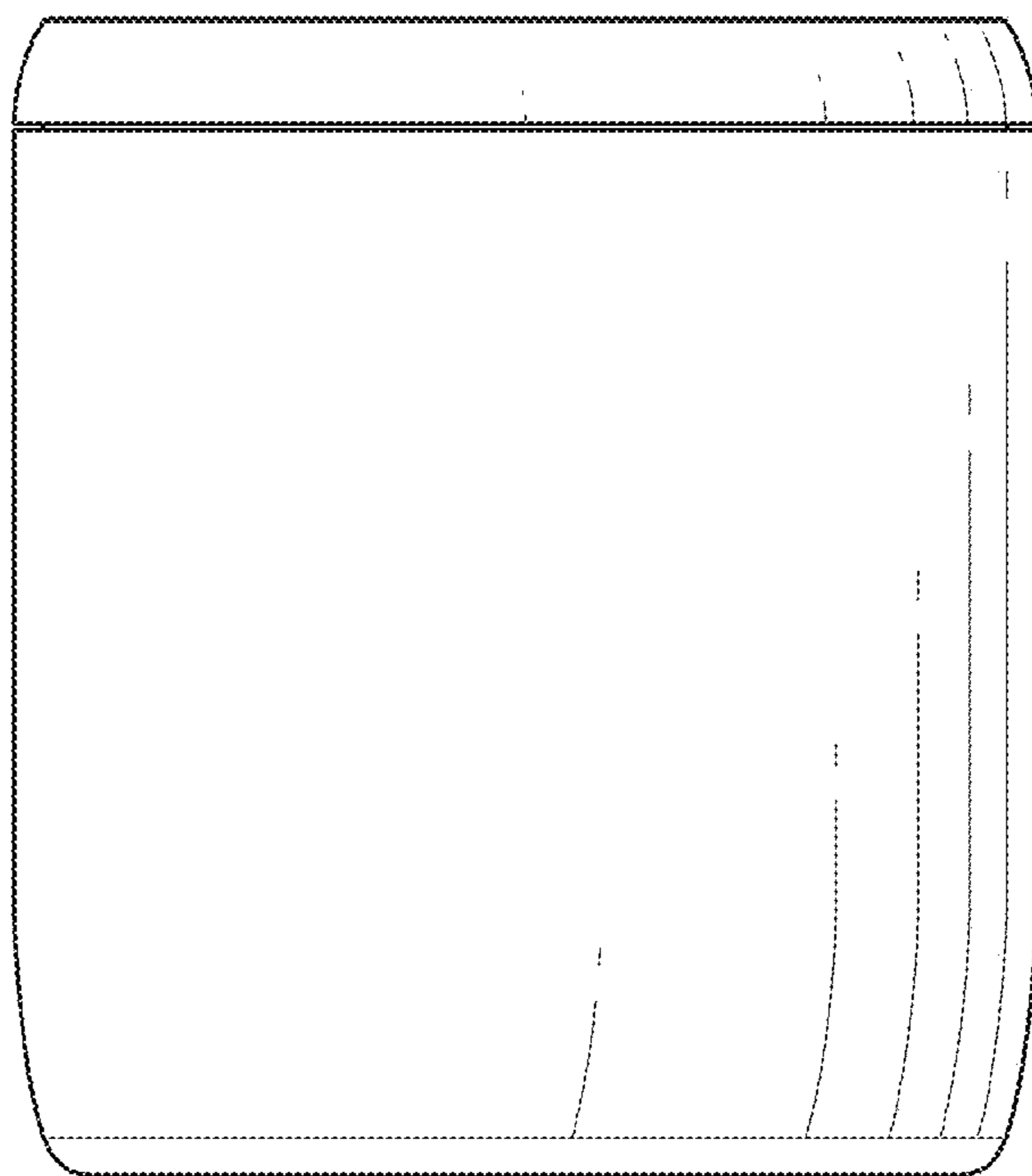


FIG. 10

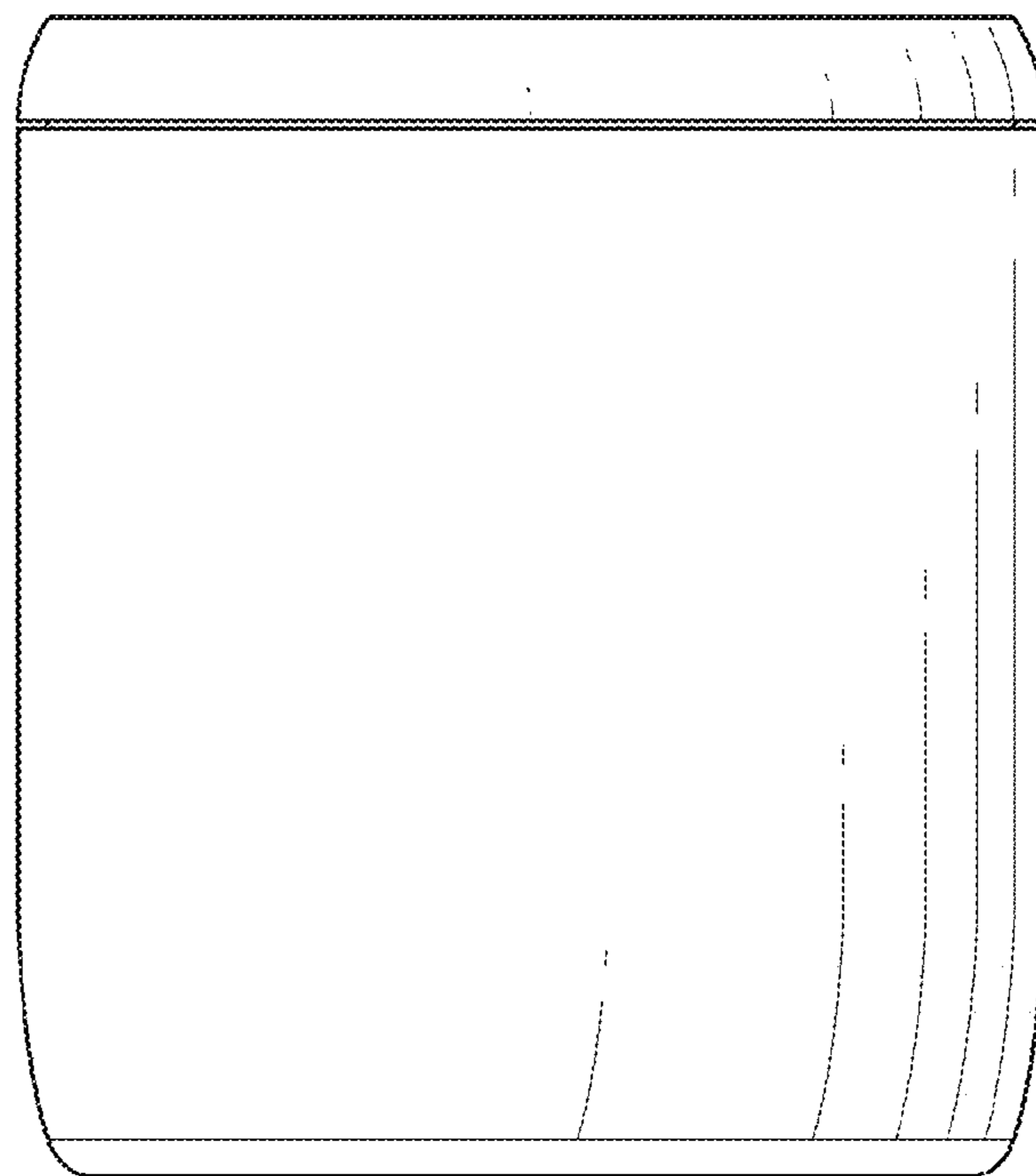


FIG. 11

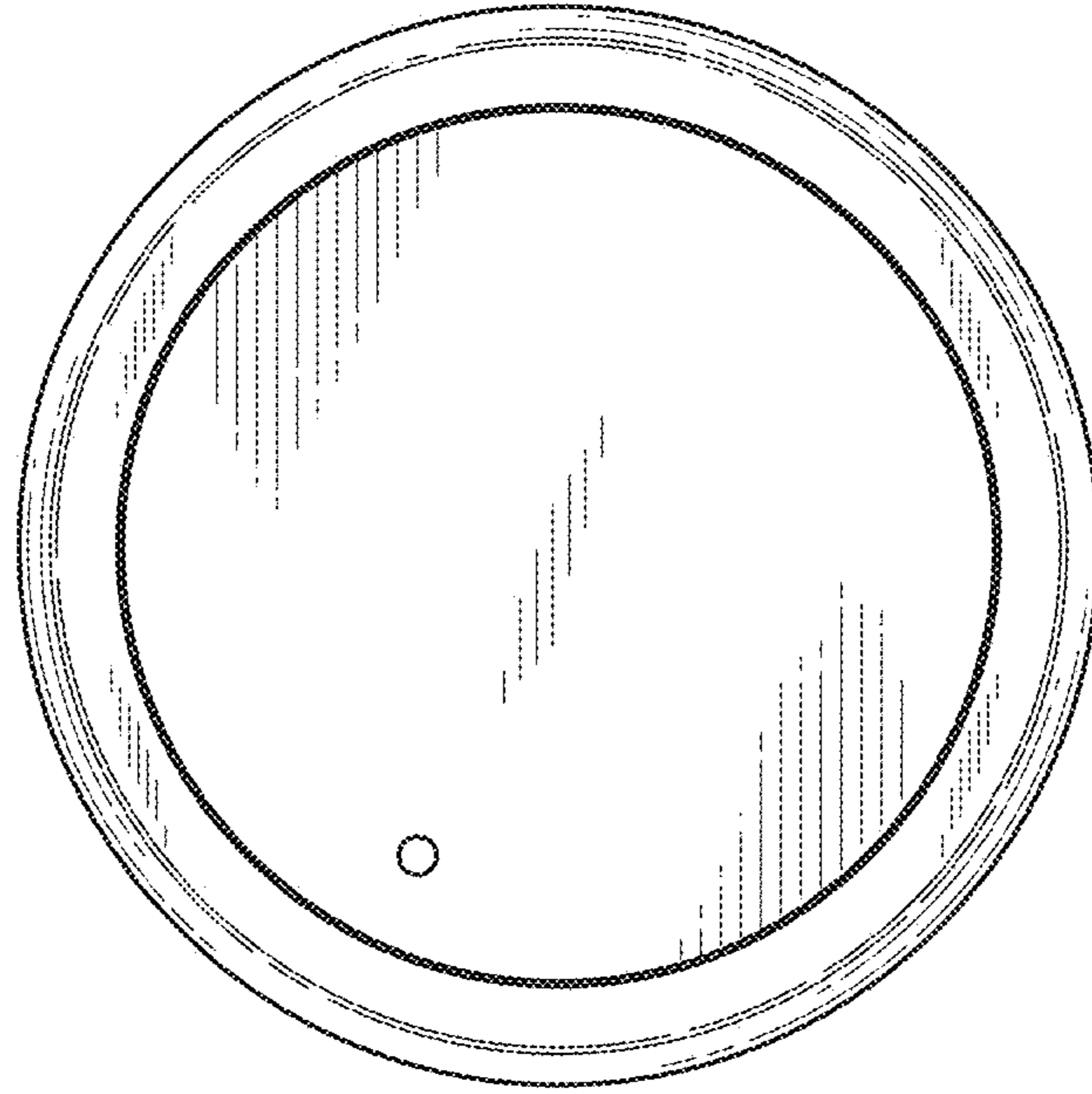


FIG. 12

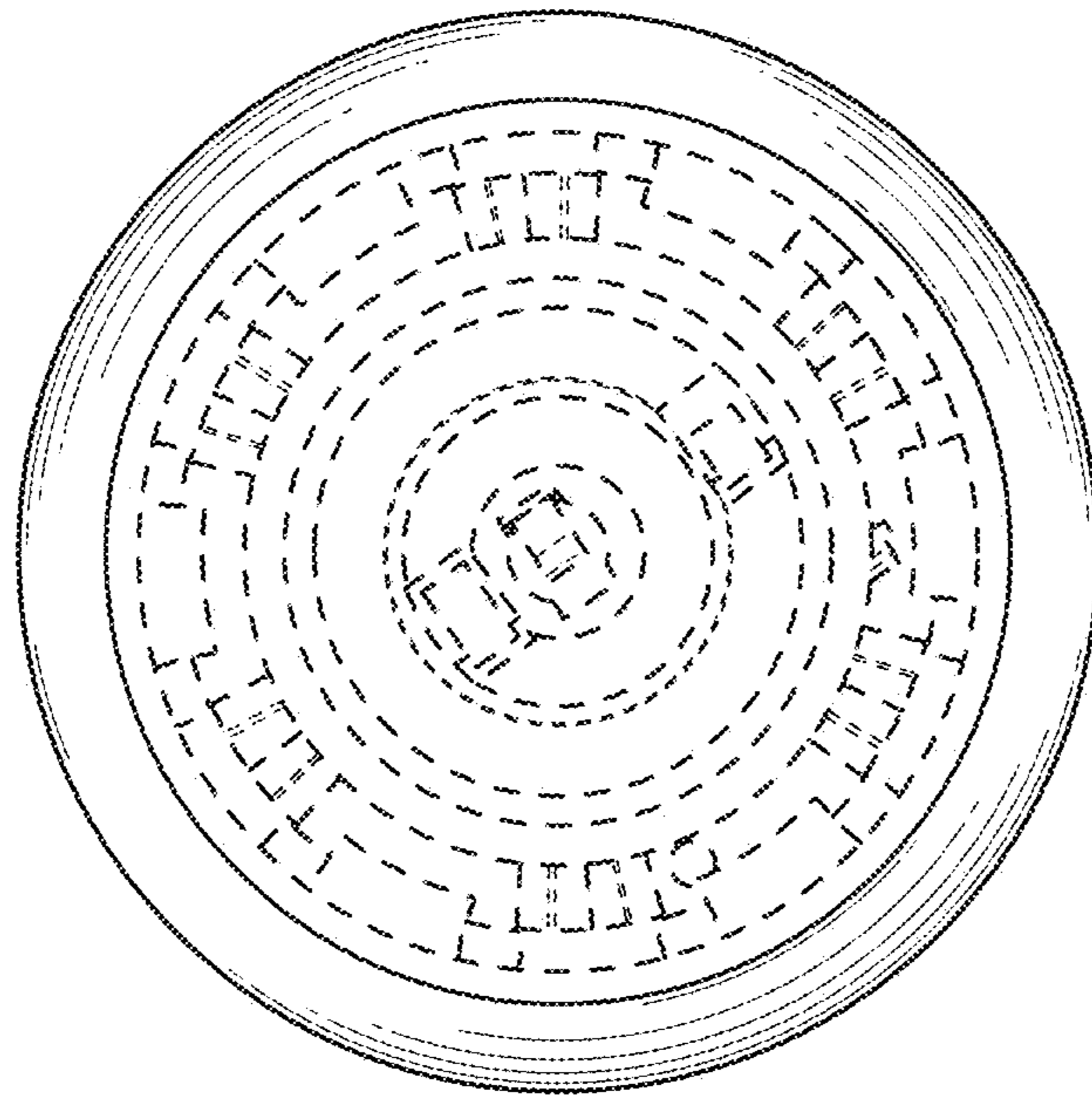


FIG. 13