



US00D802759S

(12) **United States Design Patent** (10) **Patent No.:** **US D802,759 S**
Guala (45) **Date of Patent:** **** Nov. 14, 2017**

(54) **INJECTION SITE FOR MEDICAL FLUID LINES**

(71) Applicant: **INDUSTRIE BORLA S.p.A.**,
Moncalieri (Turin) (IT)

(72) Inventor: **Gianni Guala**, Turin (IT)

(73) Assignee: **Industrie Borla S.p.A.** (IT)

(**) Term: **15 Years**

(21) Appl. No.: **29/567,280**

(22) Filed: **Jun. 7, 2016**

(30) **Foreign Application Priority Data**

Dec. 7, 2015 (EM) 002898577-0003

(51) **LOC (10) Cl.** **24-02**

(52) **U.S. Cl.**
USPC **D24/129**

(58) **Field of Classification Search**
USPC D24/129, 112-114, 130, 127, 104, 133,
D24/186, 108; 606/181, 185; 604/264,
604/272, 115, 164.01-164.09, 533, 232,
604/187, 168.01, 192, 19, 48, 93.01, 523,
604/524, 526; 600/101, 139, 143;
128/200.24, 207.14, 207.15; 601/67
CPC A61M 25/00; A61M 25/0014; A61M
25/0097; A61M 25/0026
See application file for complete search history.

(56) **References Cited**

U.S. PATENT DOCUMENTS

5,056,514 A * 10/1991 DuPont A61M 16/04
128/204.23
D357,735 S * 4/1995 McPhee D23/233
5,639,810 A * 6/1997 Smith, III A61L 29/041
524/269

6,026,810 A * 2/2000 Baird A61M 16/0463
128/202.27
D570,475 S * 6/2008 Mosler D24/129
D578,214 S * 10/2008 Mosler D24/129
D638,931 S * 5/2011 Graham A61M 16/0463
D24/127
D672,037 S * 12/2012 Miller D24/129
9,585,999 B2 * 3/2017 Guala A61M 1/367
2006/0108008 A1 * 5/2006 Guala A61M 39/24
137/605
2008/0135051 A1 * 6/2008 Lee A61M 16/0463
128/207.14
2009/0005761 A1 * 1/2009 Guala A61M 39/045
604/535

(Continued)

Primary Examiner — David Muller
Assistant Examiner — Nathan Johnston
(74) *Attorney, Agent, or Firm* — Heslin Rothenberg
Farley & Mesiti P.C.; Victor A. Cardona, Esq.

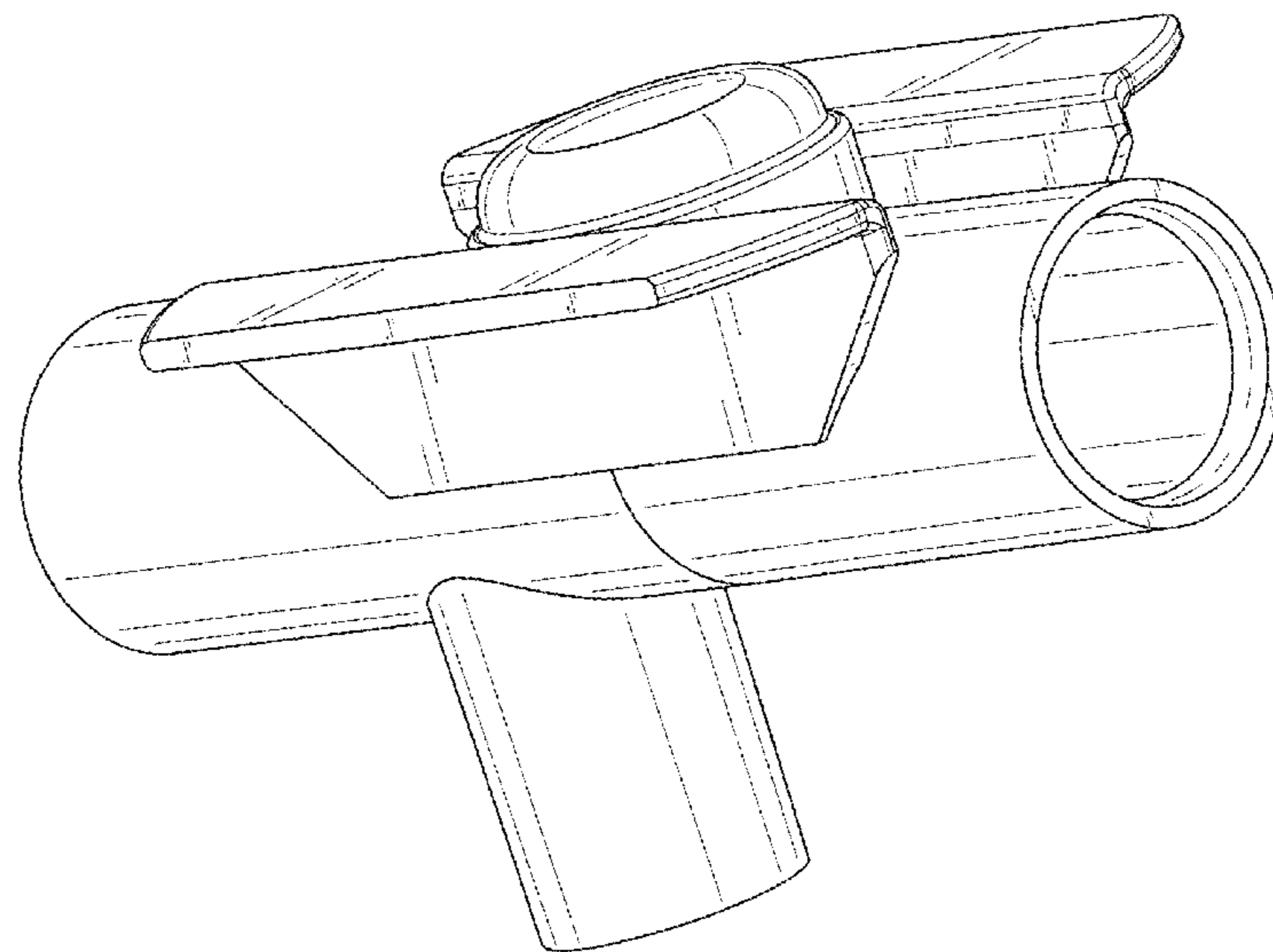
(57) **CLAIM**

I claim the ornamental design for an injection site for medical fluid lines, as shown and described.

DESCRIPTION

FIG. 1 is a front perspective view of the injection site for medical fluid lines comprising the new design;
FIG. 2 is a left side elevation view thereof;
FIG. 3 is a front elevation view thereof; the rear elevation view being identical thereto;
FIG. 4 is a right side elevation view thereof;
FIG. 5 is a top plan view thereof;
FIG. 6 is a bottom plan view thereof; and,
FIG. 7 is a rear perspective view thereof.
The dash dot lines immediately adjacent to the claimed area in FIG. 5 represent the boundaries of the claimed design. The dashed lines in the figures illustrate the portions of the design that form no part of the claimed design. None of the broken lines form any part of the claimed design.

1 Claim, 3 Drawing Sheets



(56)

References Cited

U.S. PATENT DOCUMENTS

2010/0179514 A1* 7/2010 Guala A61M 39/045
604/537

* cited by examiner

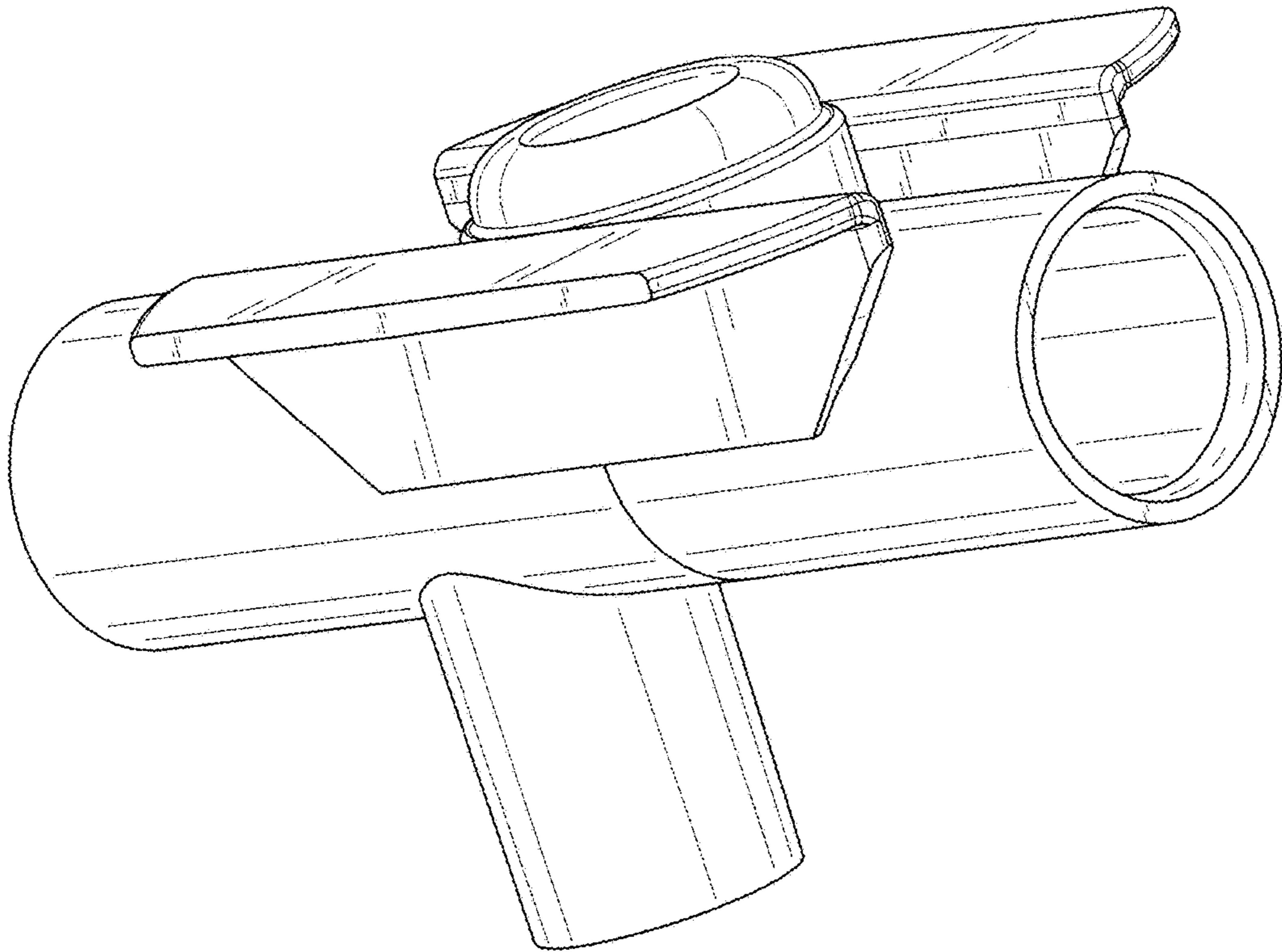


FIG. 1

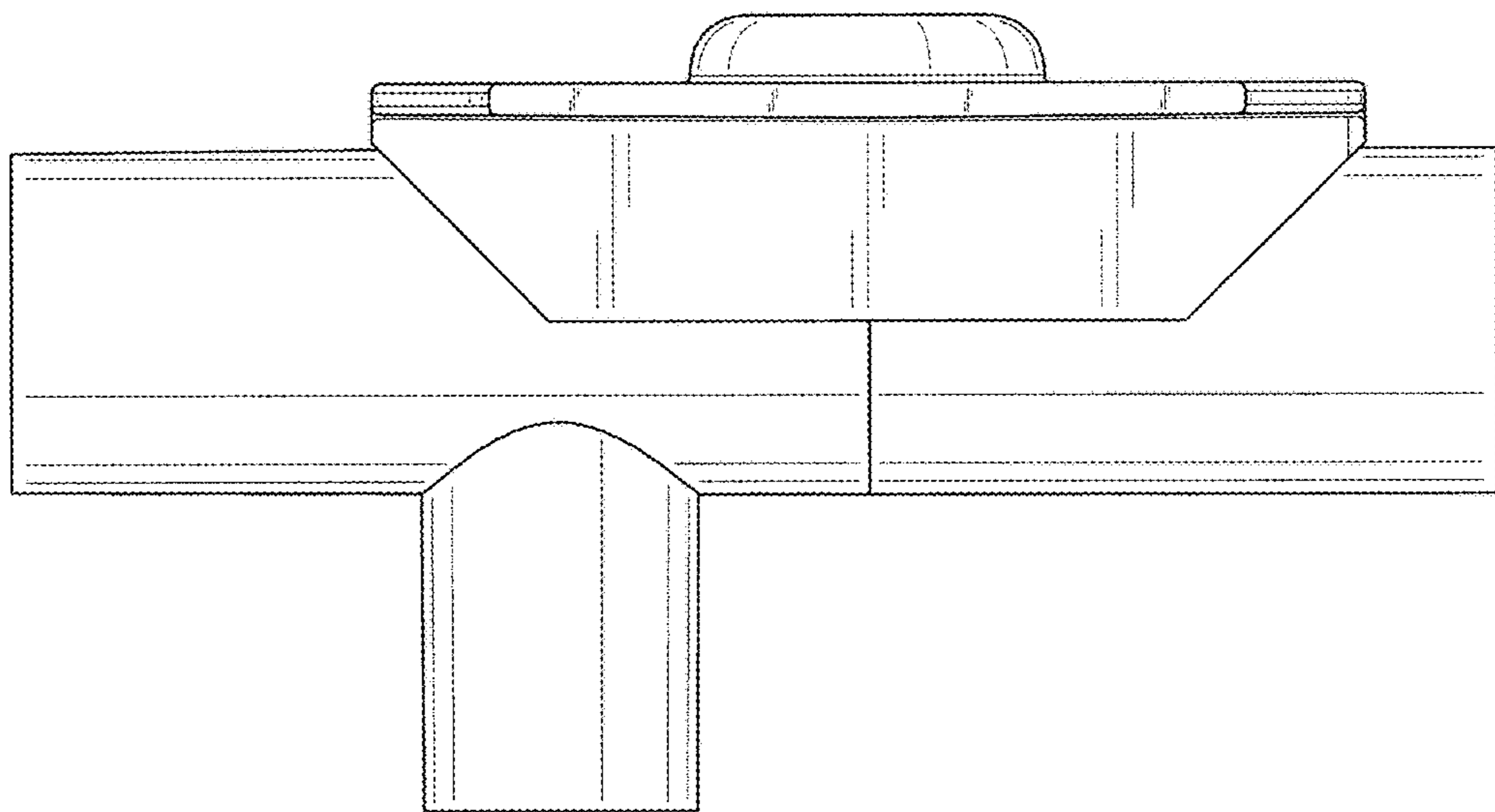


FIG. 2

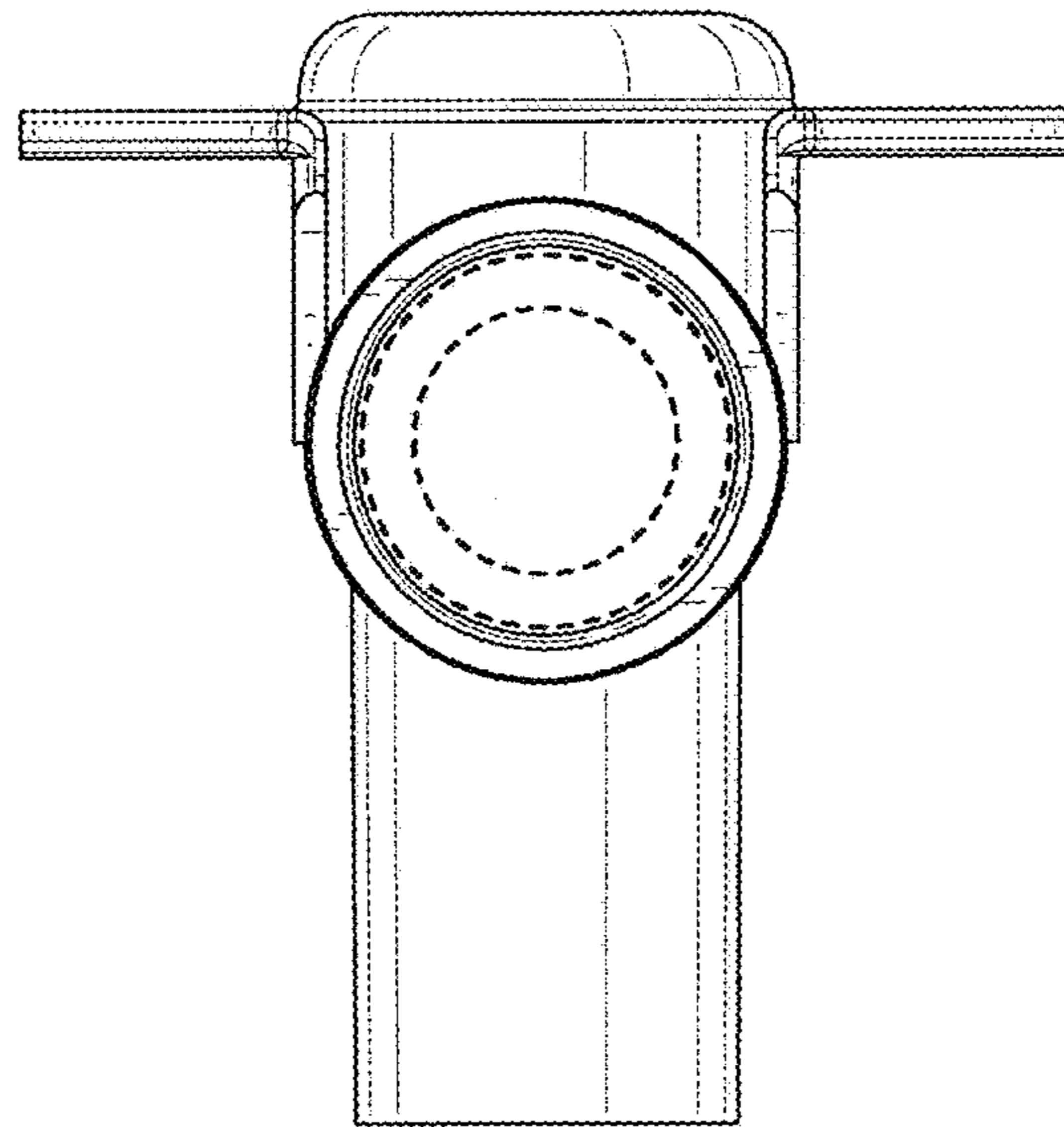


FIG. 3

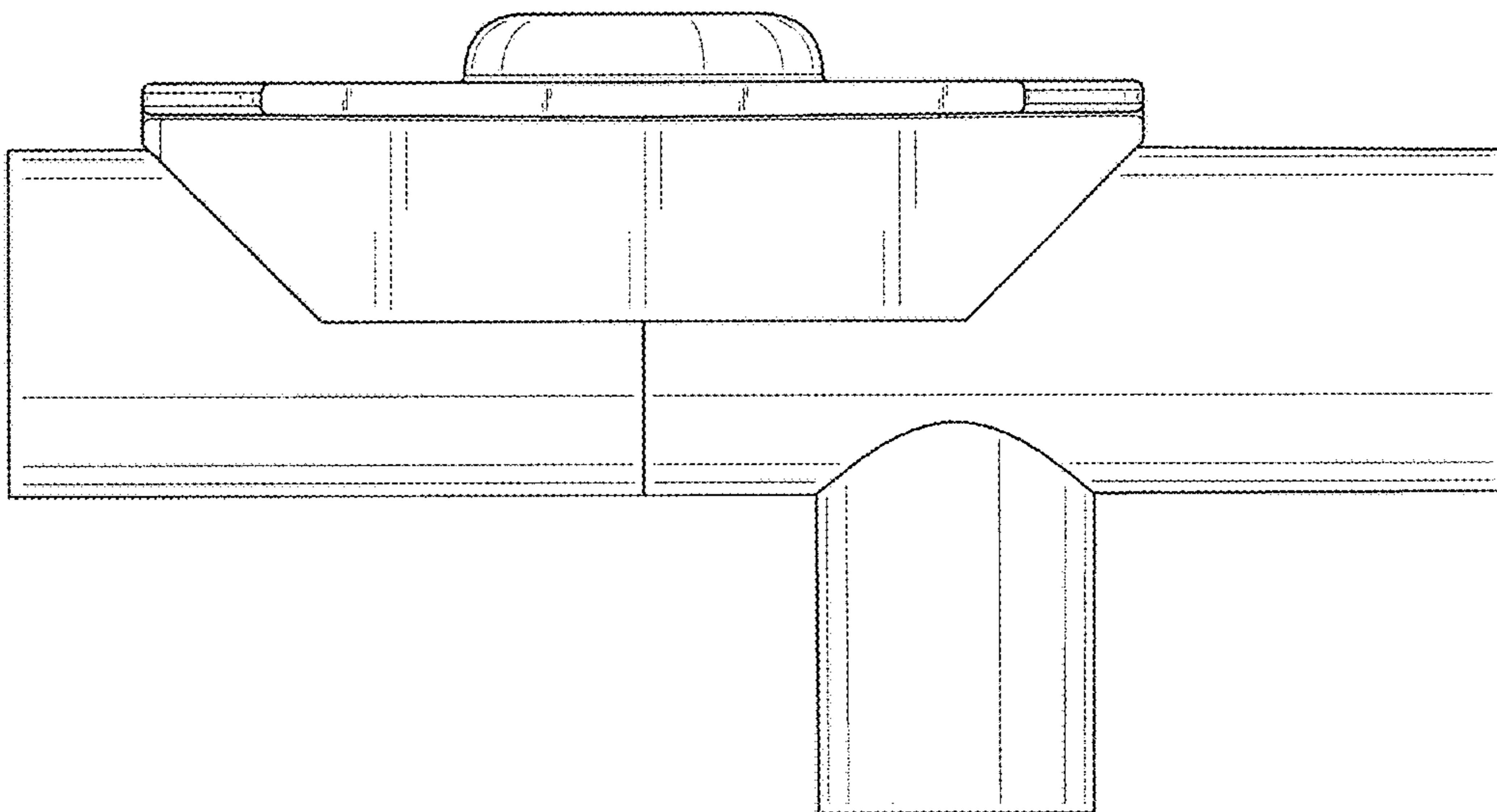


FIG. 4

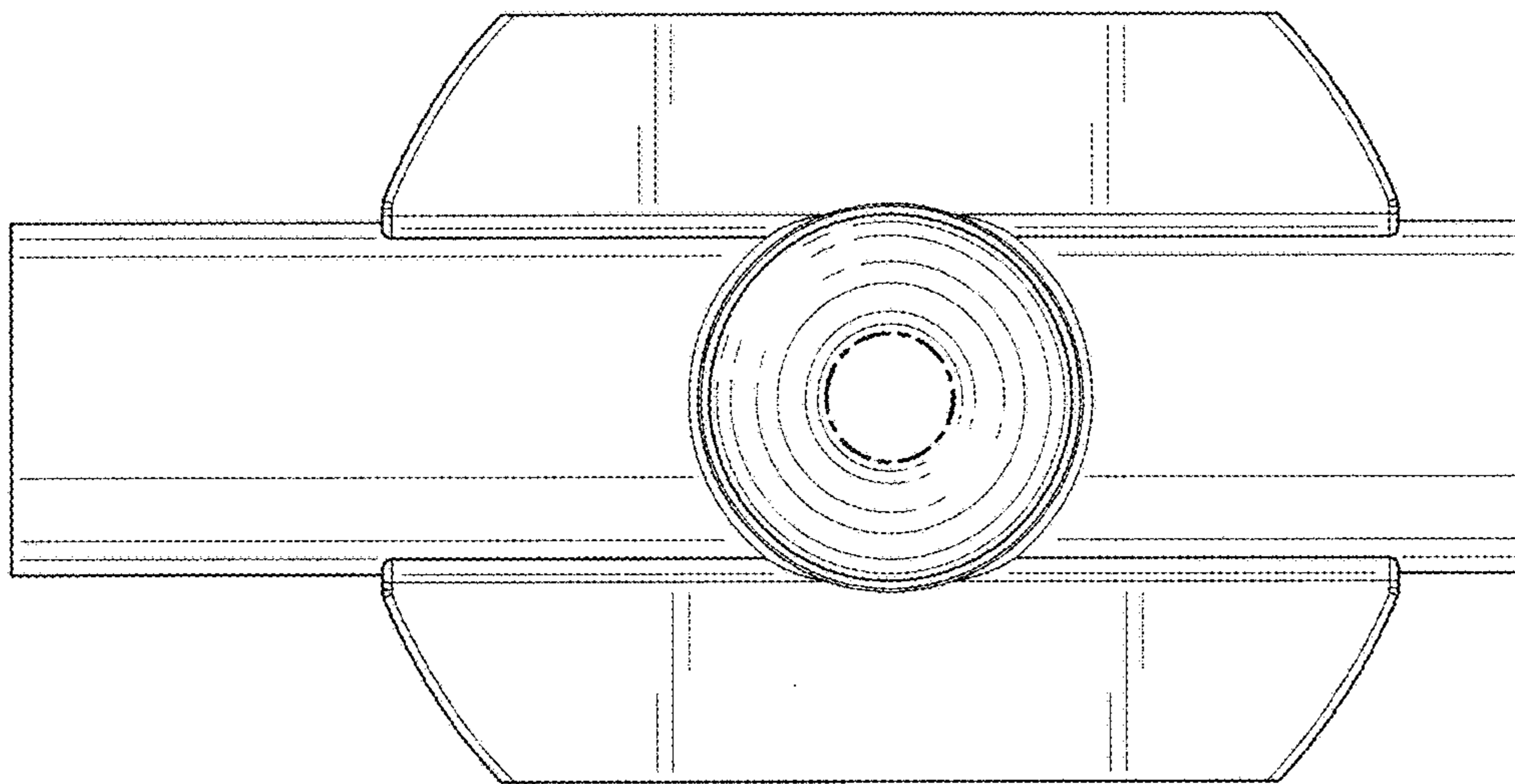


FIG. 5

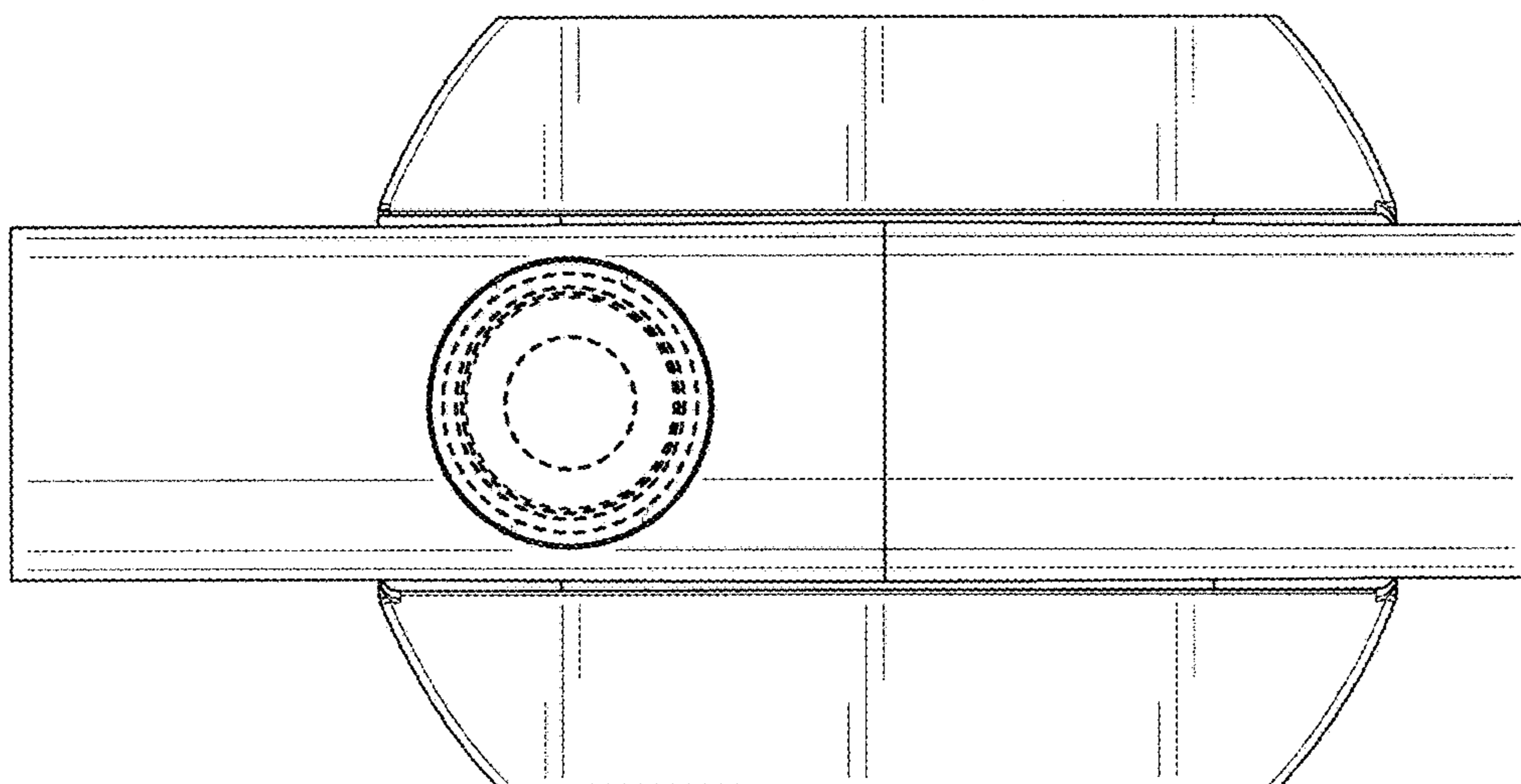


FIG. 6

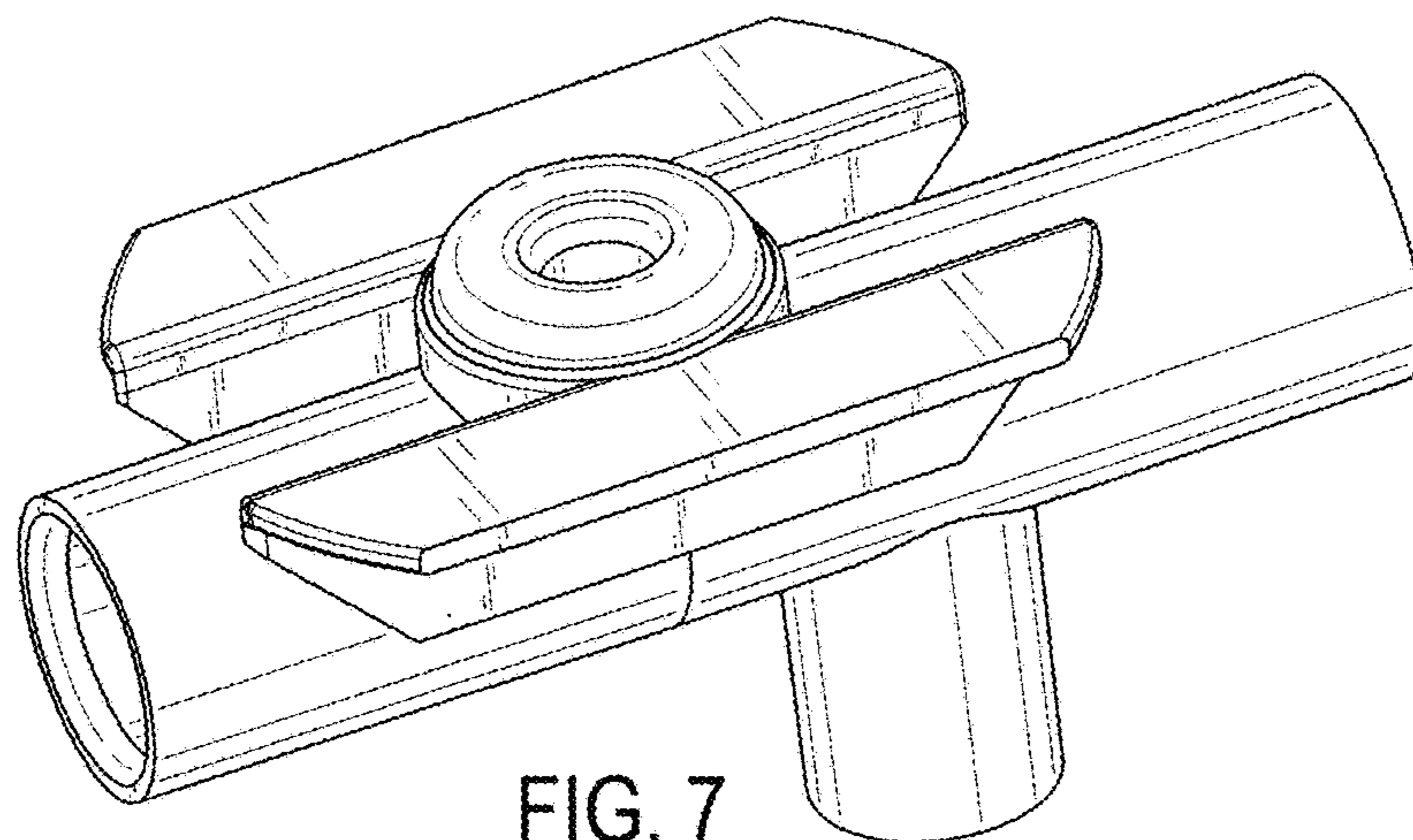


FIG. 7