



US00D802753S

(12) **United States Design Patent**
Holland

(10) **Patent No.:** **US D802,753 S**

(45) **Date of Patent:** **** Nov. 14, 2017**

(54) **SAFETY SYRINGE**

(71) Applicant: **OWEN MUMFORD LTD.**, Woodstock (GB)

(72) Inventor: **Damian Alexander Holland**, Woodstock (GB)

(73) Assignee: **OWEN MUMFORD LTD.**, Oxfordshire (GB)

(**) Term: **15 Years**

(21) Appl. No.: **29/546,503**

(22) Filed: **Nov. 23, 2015**

(30) **Foreign Application Priority Data**

May 22, 2015 (EM) 002706234-0002

(51) **LOC (10) Cl.** **24-02**

(52) **U.S. Cl.**
USPC **D24/114**

(58) **Field of Classification Search**
USPC D24/112-114, 108, 133, 130, 127, 186;
606/181, 185; 604/264, 272, 187, 181,
604/184, 227
CPC A61M 5/178; A61M 3/00; A61M 5/20;
A61M 5/31; A61M 5/3146; A61M
5/3129; A61M 5/3148; A61M 5/315
See application file for complete search history.

(56) **References Cited**

U.S. PATENT DOCUMENTS

5,350,367 A * 9/1994 Stiehl A61M 5/24
604/228
D448,844 S * 10/2001 Reis D24/112

D449,379 S * 10/2001 Fuhr D24/133
6,425,885 B1 * 7/2002 Fischer A61M 5/31511
604/187
D505,200 S * 5/2005 Simpson D24/114
7,488,307 B2 * 2/2009 Rimlinger A61M 5/31501
128/919
D719,255 S * 12/2014 Ohashi D24/108
D719,256 S * 12/2014 Ohashi D24/108
D721,803 S * 1/2015 Dubach D24/114
D722,160 S * 2/2015 Armstrong D24/130
D732,660 S * 6/2015 Ohashi D24/112
D739,933 S * 9/2015 Ettlin D24/114
D740,410 S * 10/2015 Korkuch D24/112

* cited by examiner

Primary Examiner — David Muller

(74) *Attorney, Agent, or Firm* — Young & Thompson

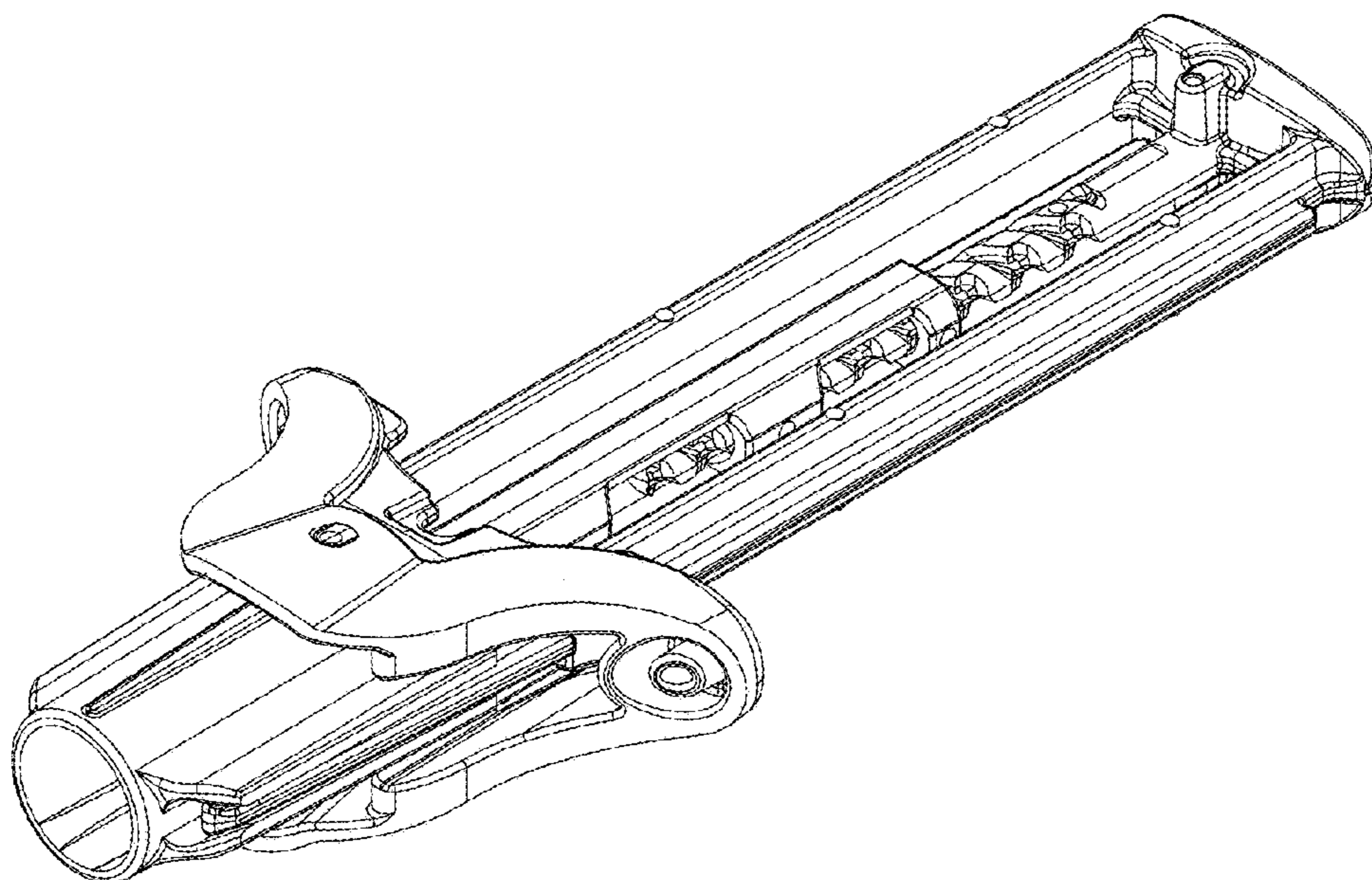
(57) **CLAIM**

The ornamental design for a safety syringe, as shown and described.

DESCRIPTION

FIG. 1 is a front elevation view of a safety syringe showing the new design;
FIG. 2 is a side elevation view thereof, wherein the opposite side appears the same;
FIG. 3 is a bottom plan view thereof;
FIG. 4 is a top plan view thereof;
FIG. 5 is a front, bottom, and side perspective view thereof;
FIG. 6 is a rear, top, and opposite side elevation view thereof; and,
FIG. 7 is a front, bottom, and side perspective view thereof in an alternate configuration wherein the inner portions are retracted.

1 Claim, 4 Drawing Sheets



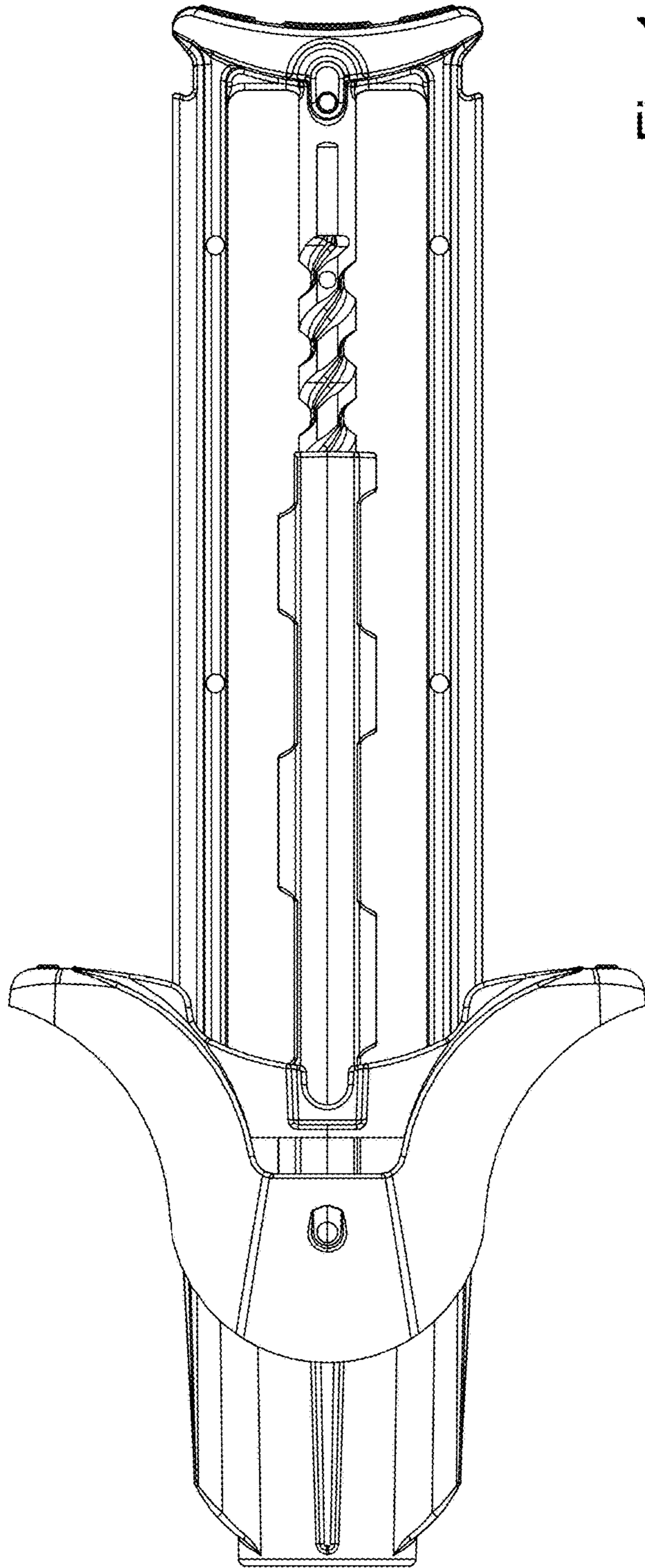


Fig. 1

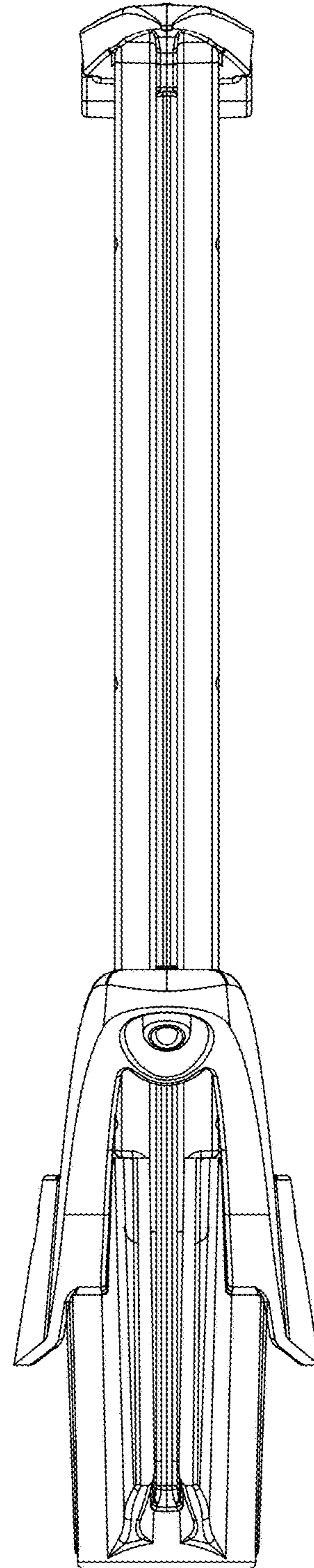


Fig. 2

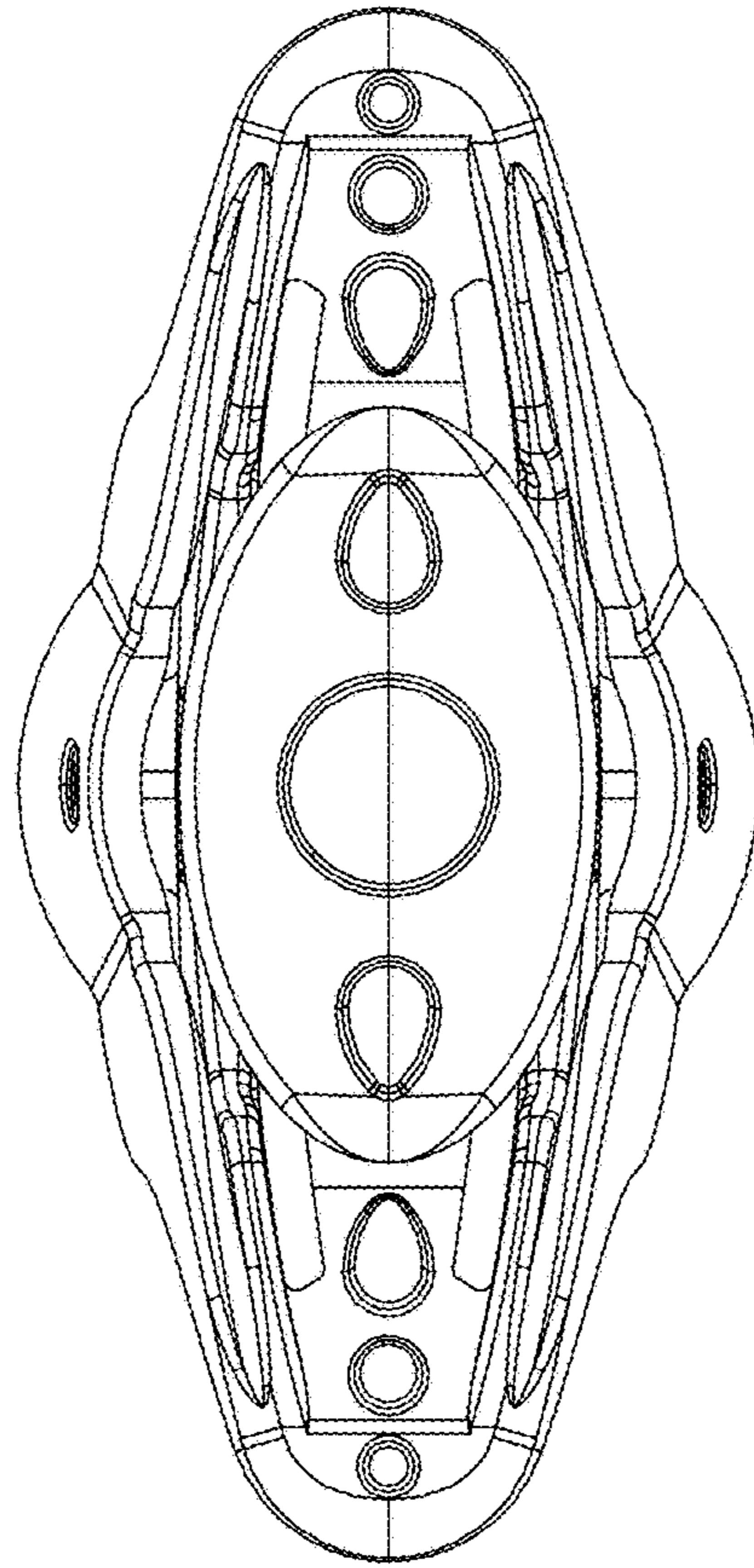


Fig. 4

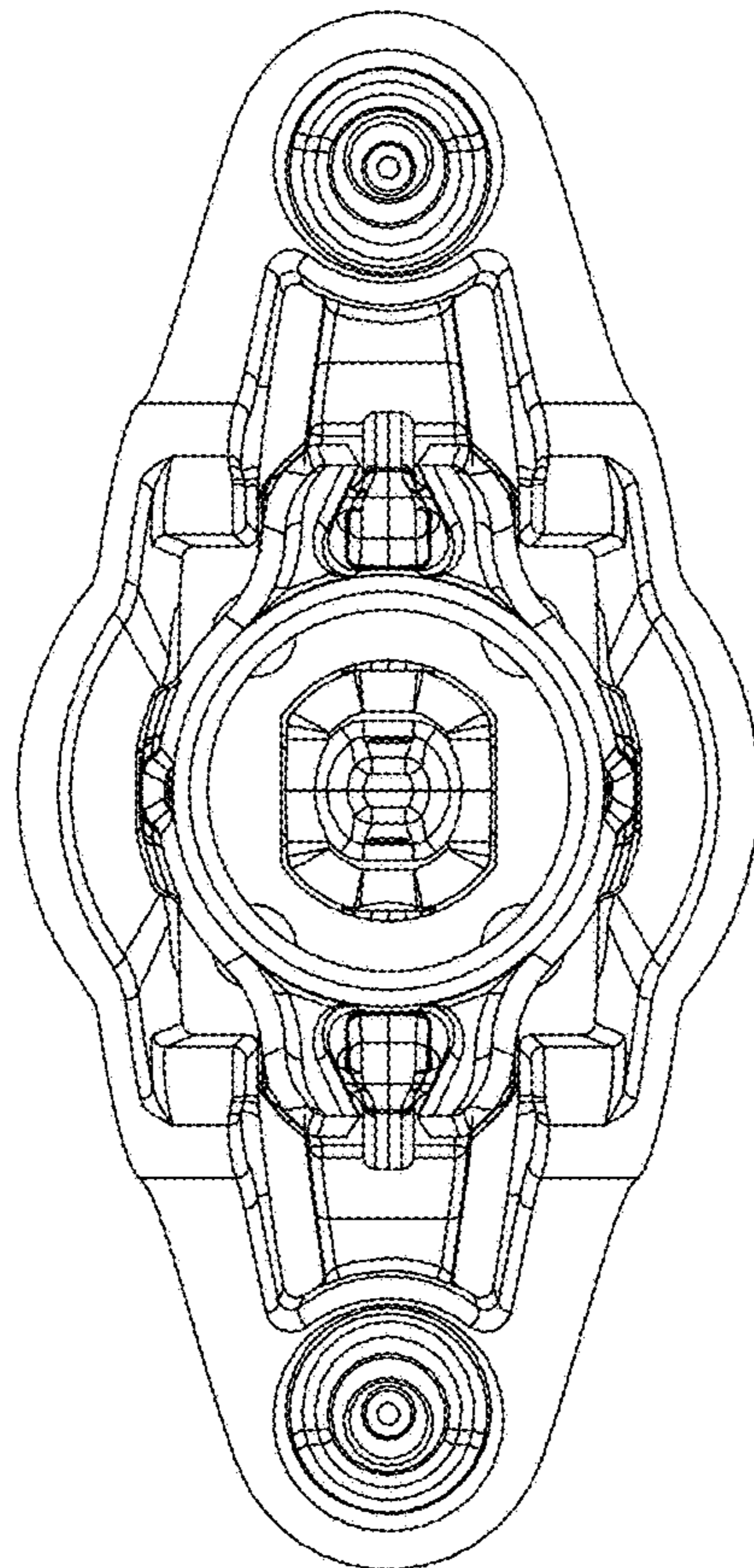


Fig. 3

Fig. 5

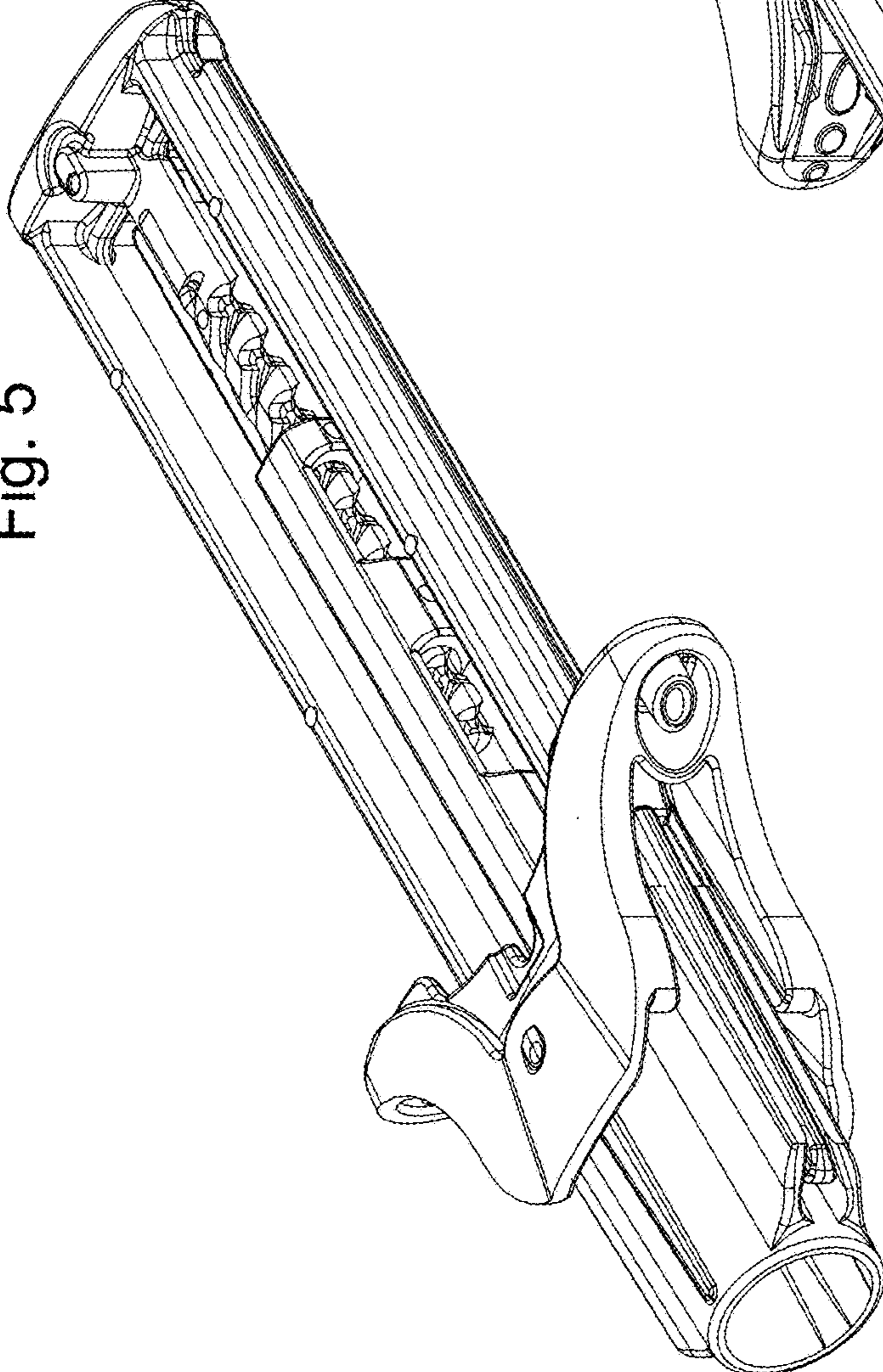
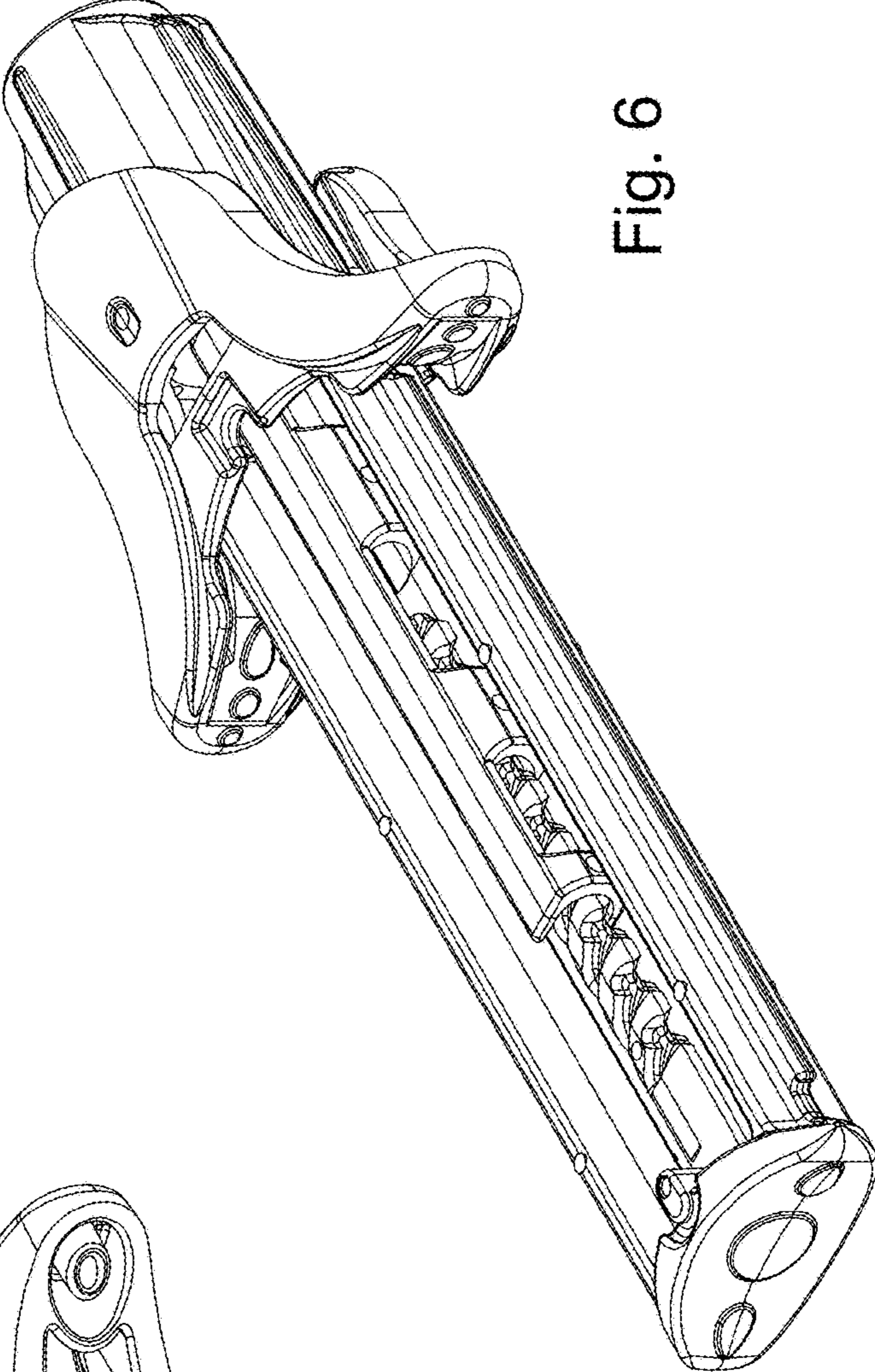


Fig. 6



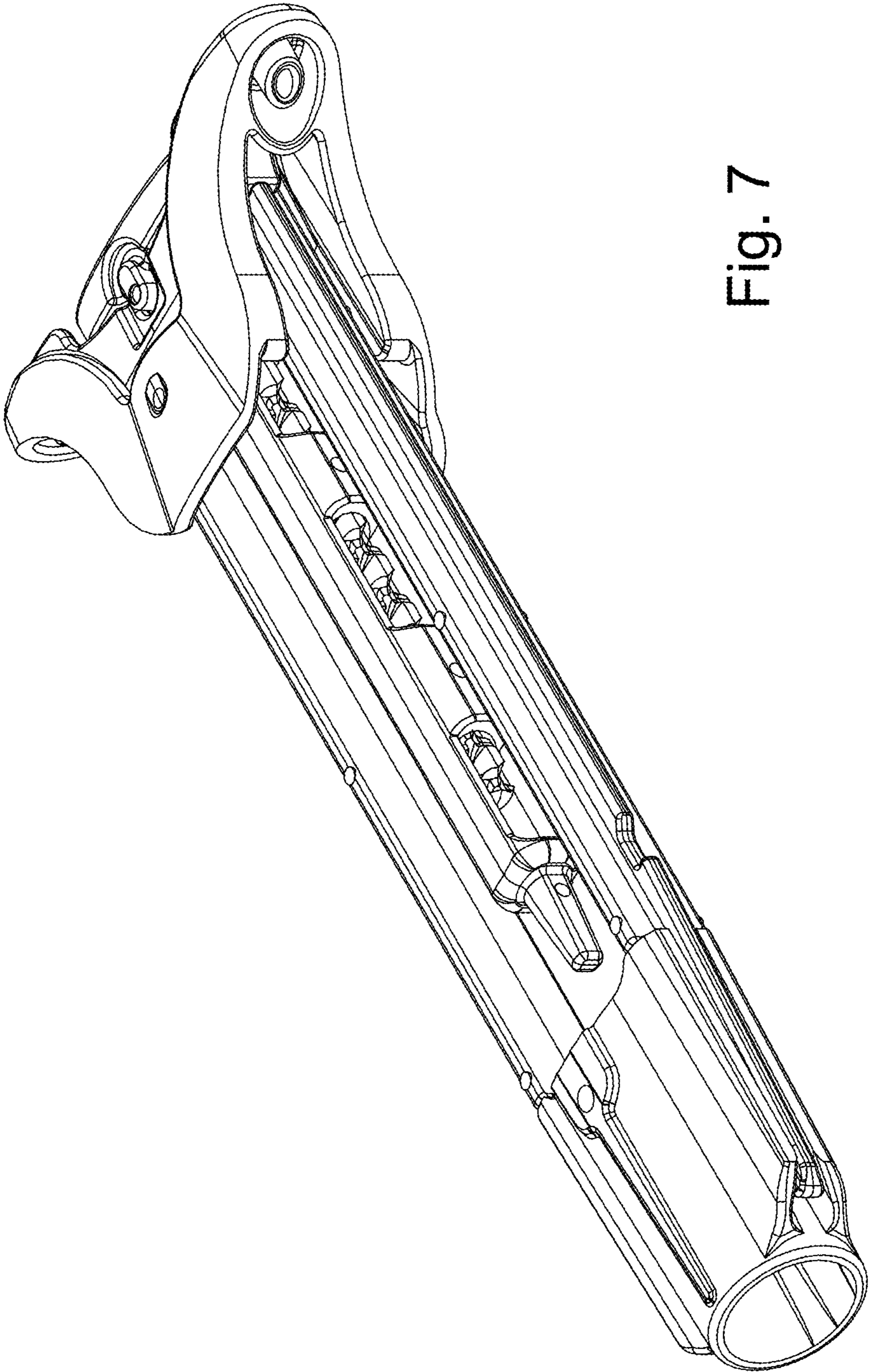


Fig. 7