



US00D802752S

(12) **United States Design Patent**  
**Holland**

(10) **Patent No.:** **US D802,752 S**

(45) **Date of Patent:** **\*\* Nov. 14, 2017**

(54) **SAFETY SYRINGE**

(71) Applicant: **OWEN MUMFORD LTD.**, Woodstock (GB)

(72) Inventor: **Damian Alexander Holland**, Woodstock (GB)

(73) Assignee: **OWEN MUMFORD LTD.**, Woodstock (GB)

(\*\*) Term: **15 Years**

(21) Appl. No.: **29/546,500**

(22) Filed: **Nov. 23, 2015**

(30) **Foreign Application Priority Data**

May 22, 2015 (EM) ..... 002706234-0001

(51) **LOC (10) Cl.** ..... **24-02**

(52) **U.S. Cl.**  
USPC ..... **D24/114**

(58) **Field of Classification Search**  
USPC ..... D24/112-114, 108, 133, 130, 127, 186;  
606/181, 185; 604/264, 272, 187, 181,  
604/184, 227  
CPC ..... A61M 5/178; A61M 3/00; A61M 5/20;  
A61M 5/31; A61M 5/3146; A61M  
5/3129; A61M 5/3148; A61M 5/315  
See application file for complete search history.

(56) **References Cited**

**U.S. PATENT DOCUMENTS**

5,350,367 A \* 9/1994 Stiehl ..... A61M 5/24  
604/228  
D448,844 S \* 10/2001 Reis ..... D24/112

D449,379 S \* 10/2001 Fuhr ..... D24/133  
6,425,885 B1 \* 7/2002 Fischer ..... A61M 5/31511  
604/187  
D505,200 S \* 5/2005 Simpson ..... D24/114  
7,488,307 B2 \* 2/2009 Rimlinger ..... A61M 5/31501  
128/919  
D719,255 S \* 12/2014 Ohashi ..... D24/108  
D719,256 S \* 12/2014 Ohashi ..... D24/108  
D721,803 S \* 1/2015 Dubach ..... D24/114  
D722,160 S \* 2/2015 Armstrong ..... D24/130  
D732,660 S \* 6/2015 Ohashi ..... D24/112  
D739,933 S \* 9/2015 Ettlin ..... D24/114  
D740,410 S \* 10/2015 Korkuch ..... D24/112

\* cited by examiner

*Primary Examiner* — David Muller

(74) *Attorney, Agent, or Firm* — Young & Thompson

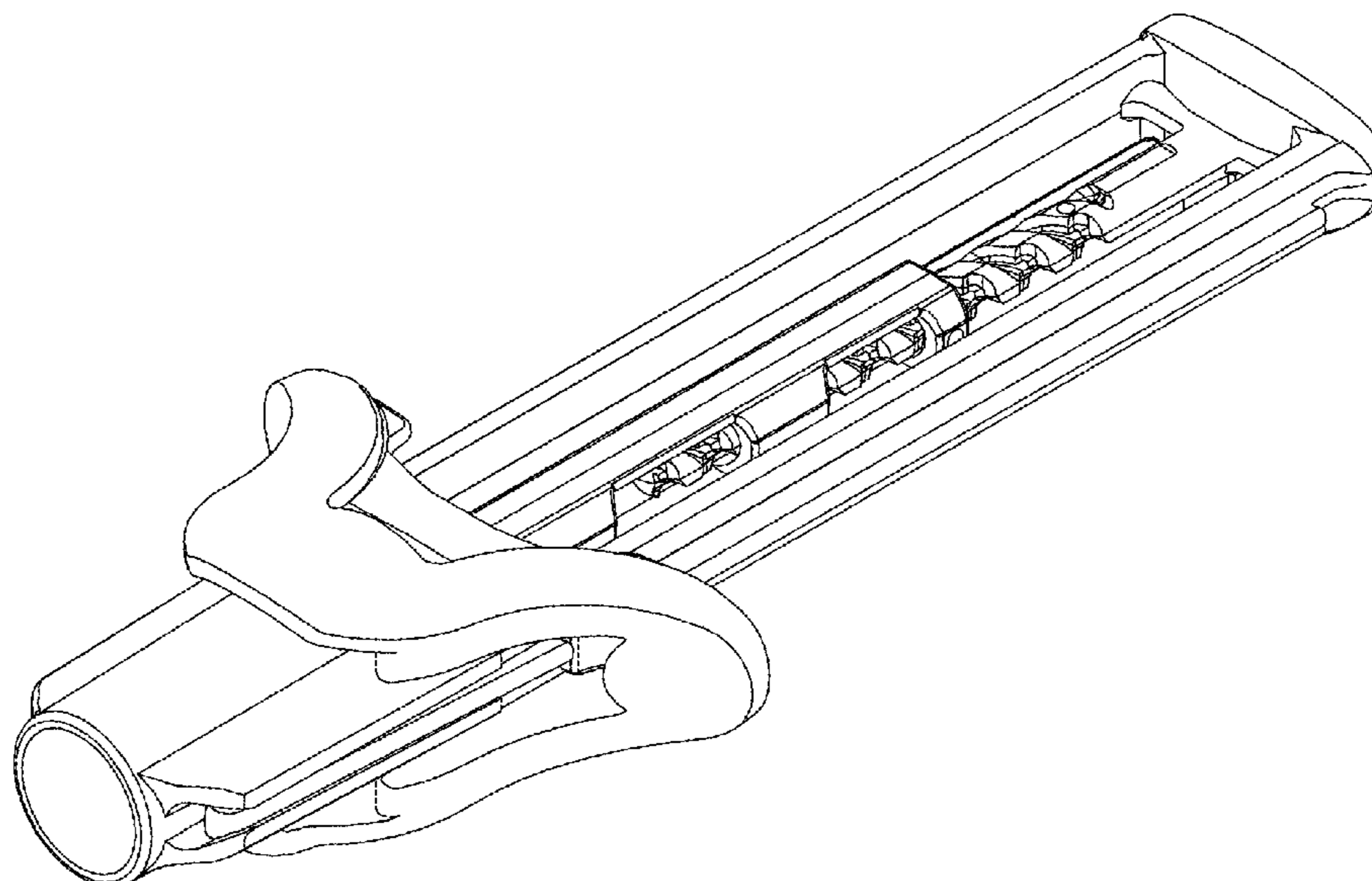
(57) **CLAIM**

The ornamental design for a safety syringe, as shown and described.

**DESCRIPTION**

FIG. 1 is a front elevation view of a safety syringe showing the new design;  
FIG. 2 is a side elevation view thereof, wherein the opposite side appears the same;  
FIG. 3 is a bottom plan view thereof;  
FIG. 4 is a top plan view thereof;  
FIG. 5 is a front, bottom, and side perspective view thereof;  
FIG. 6 is a rear, top, and opposite side elevation view thereof; and,  
FIG. 7 is a front, bottom, and side perspective view thereof in an alternate configuration wherein the inner portions are retracted.

**1 Claim, 7 Drawing Sheets**



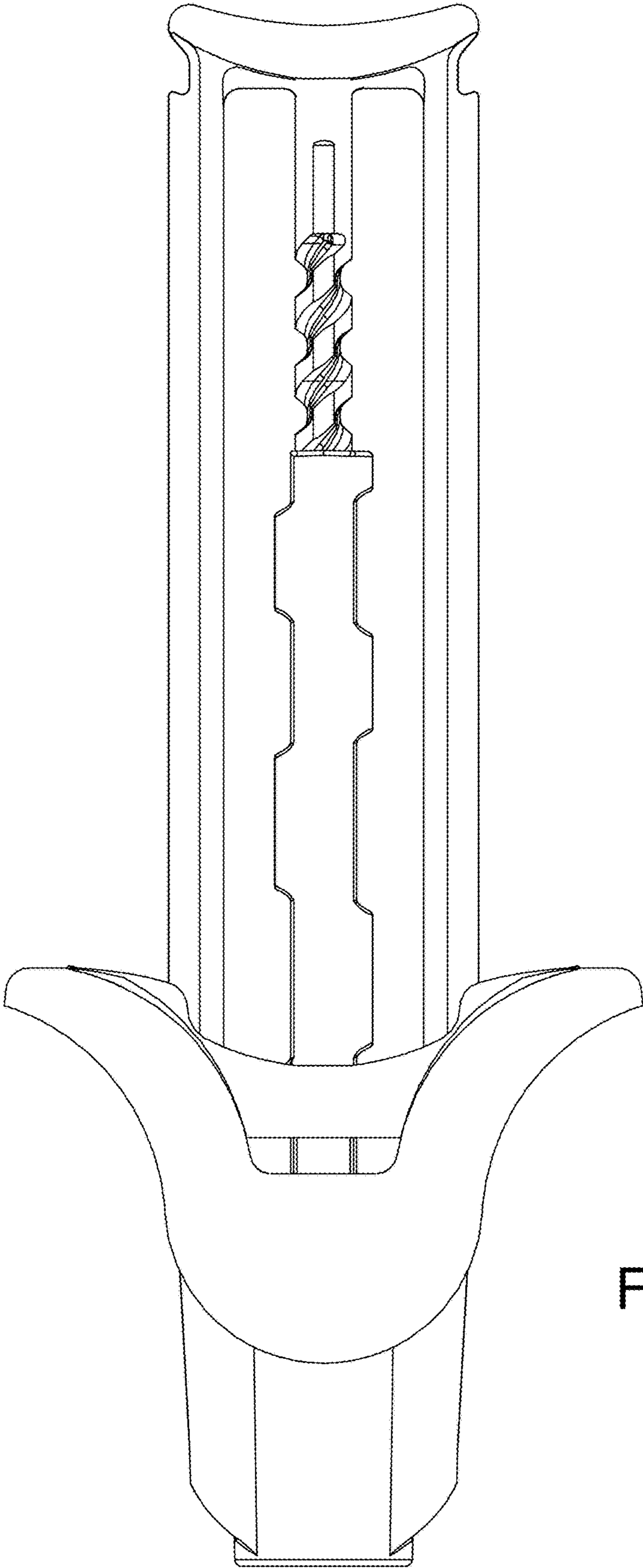


Fig. 1

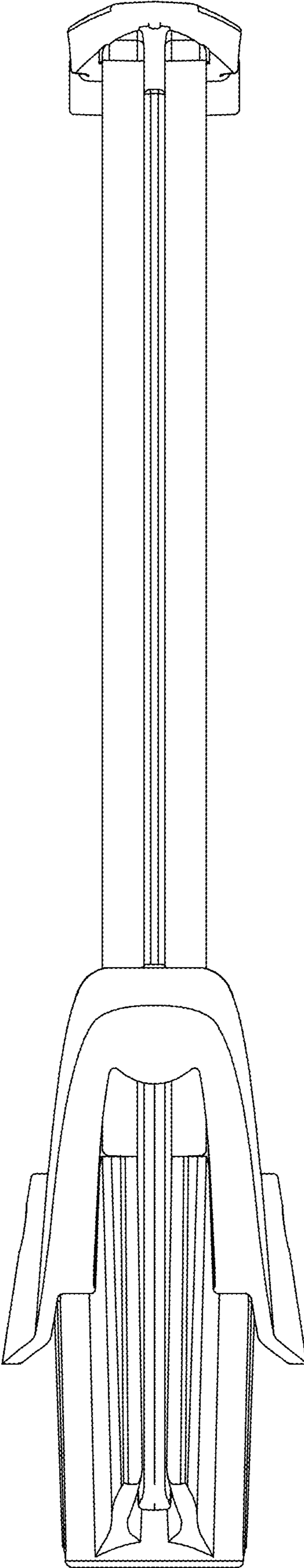


Fig. 2

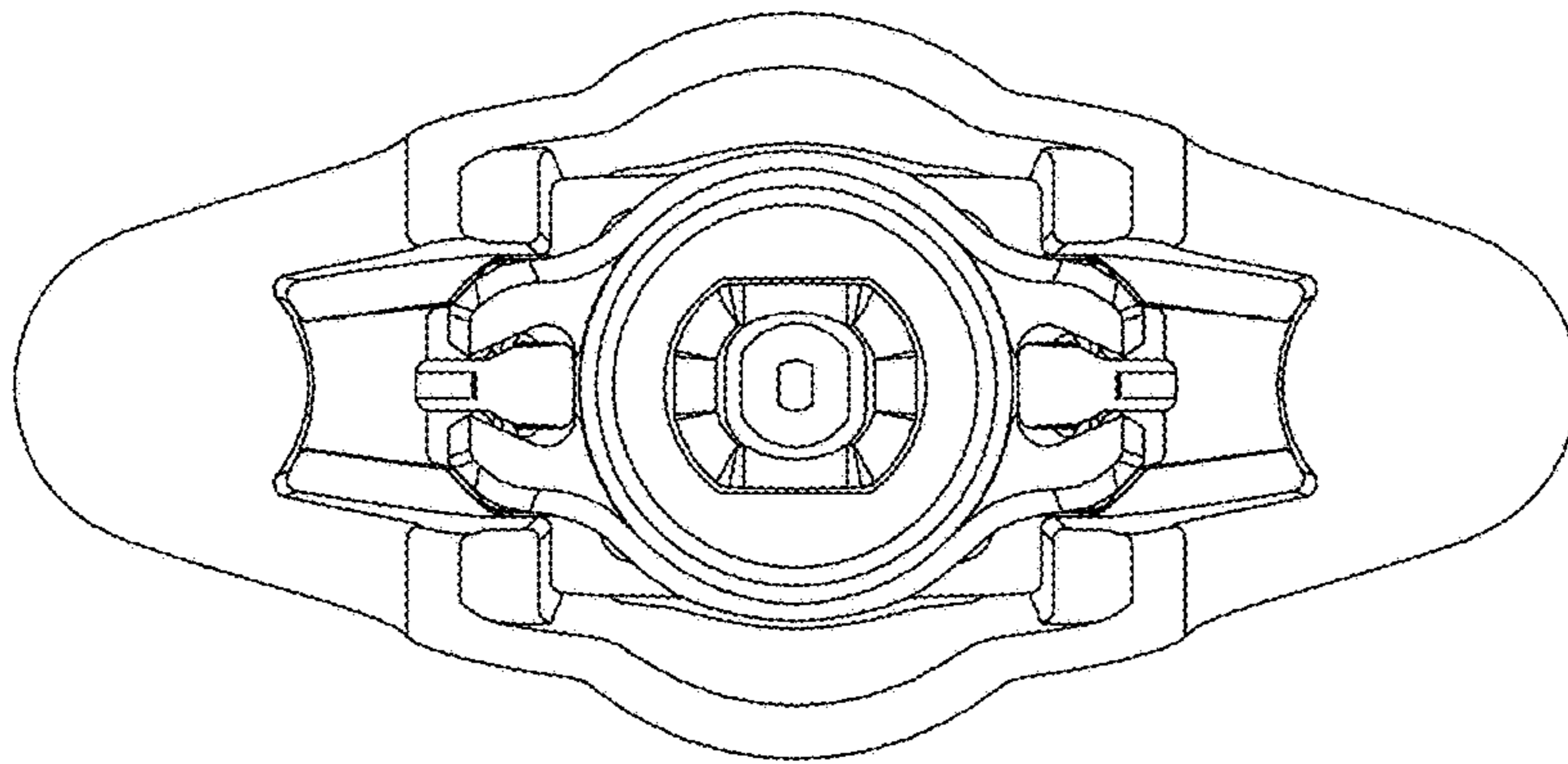


Fig. 3

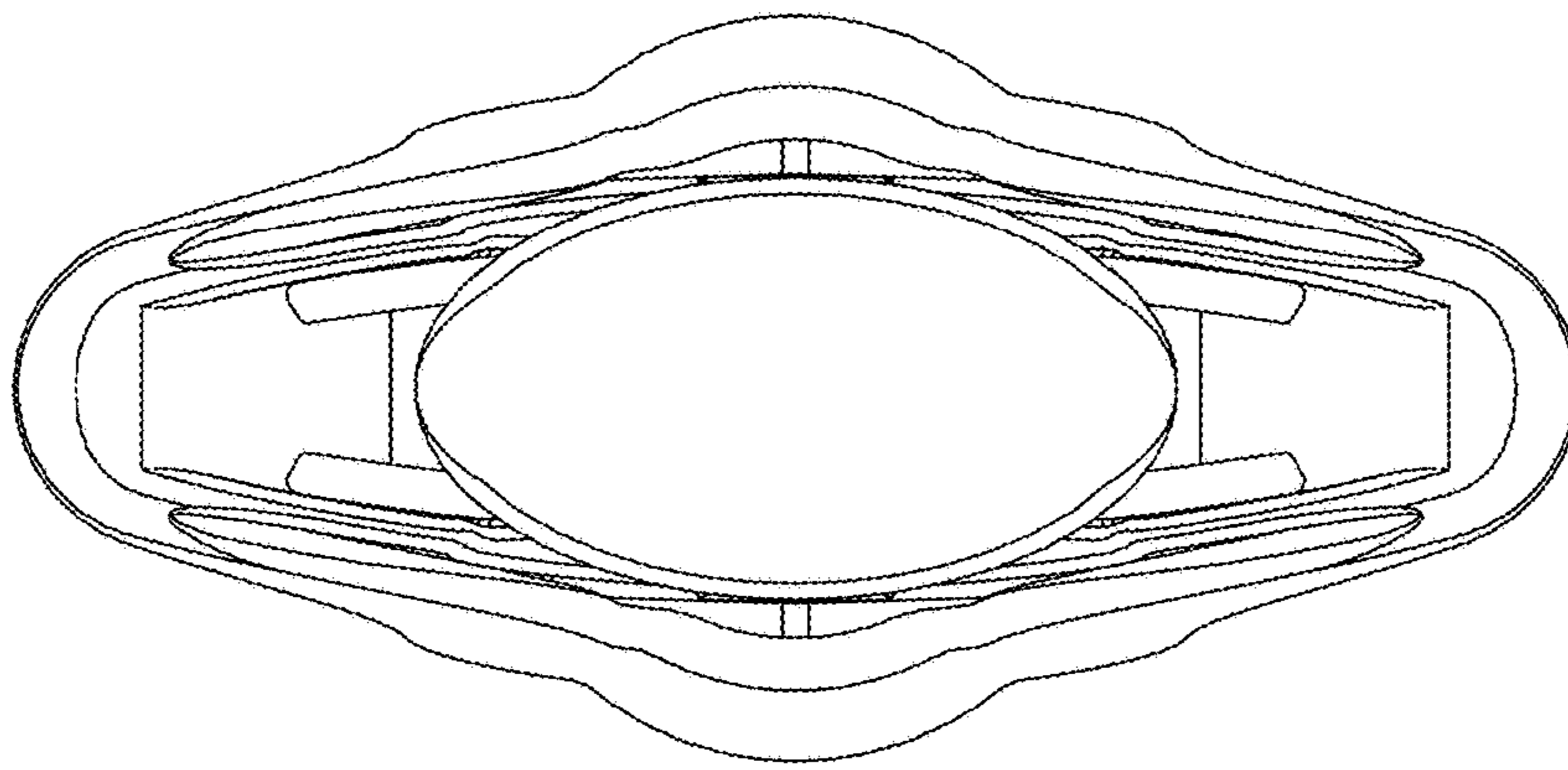


Fig. 4

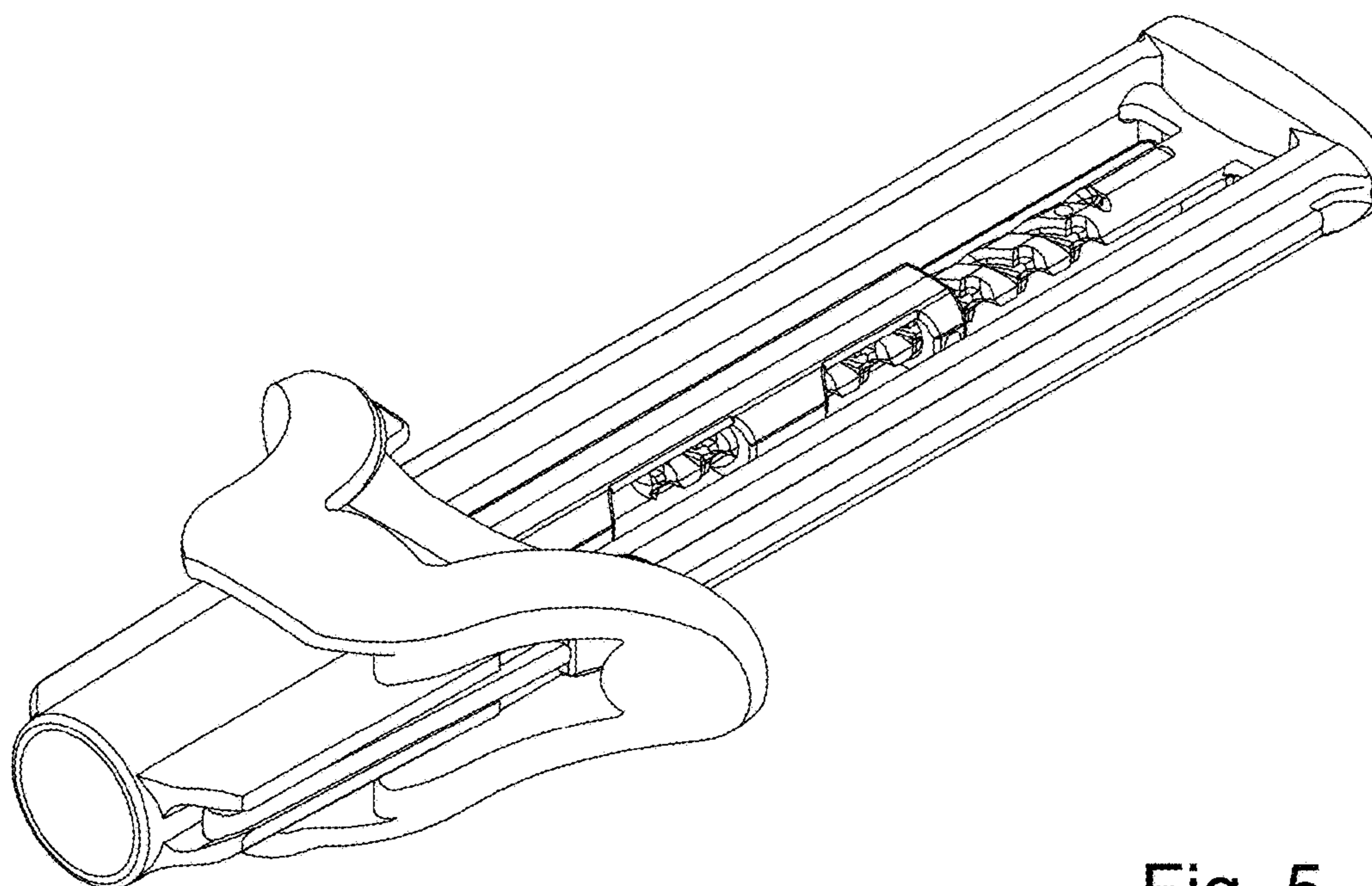


Fig. 5

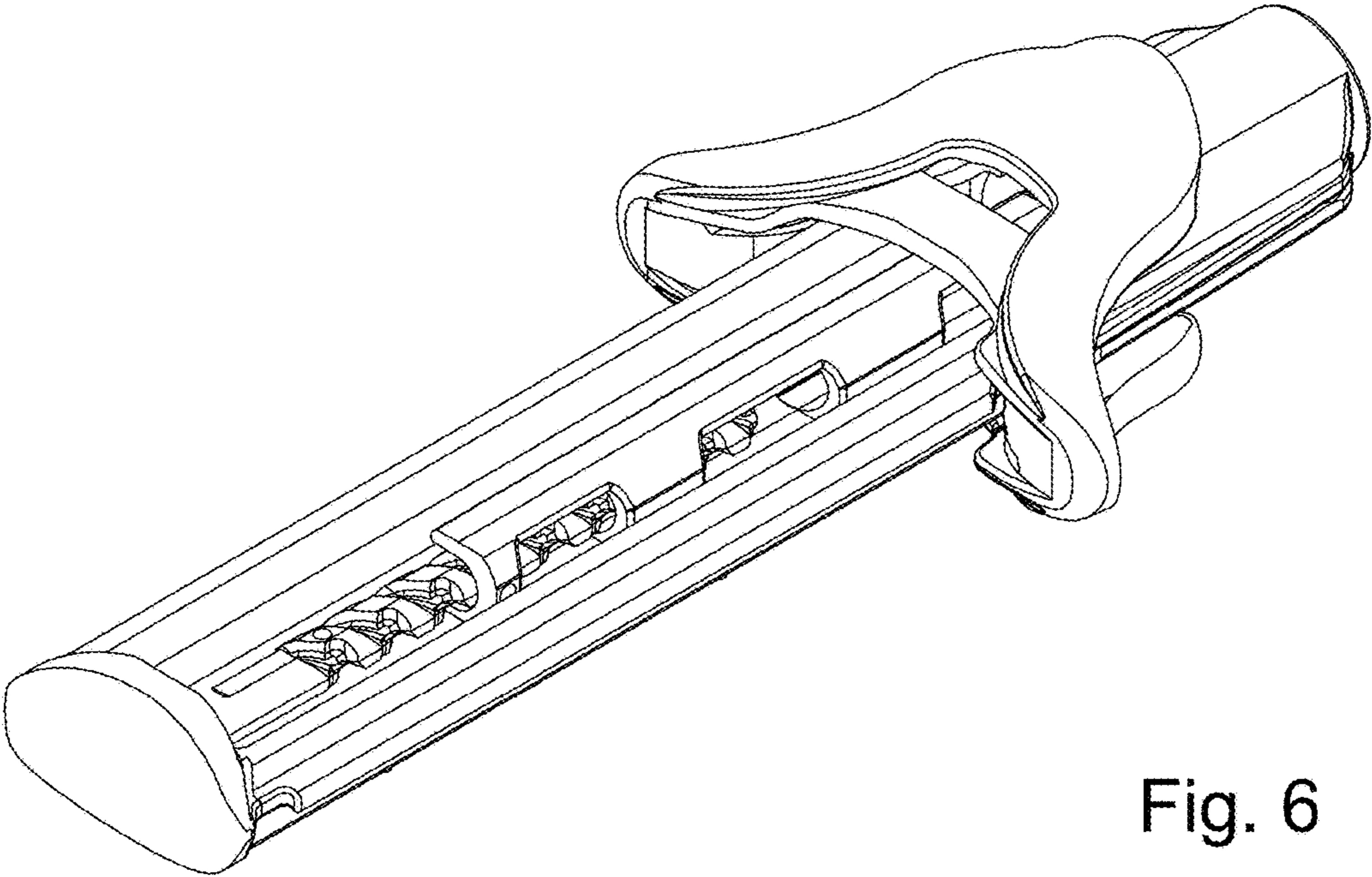


Fig. 6

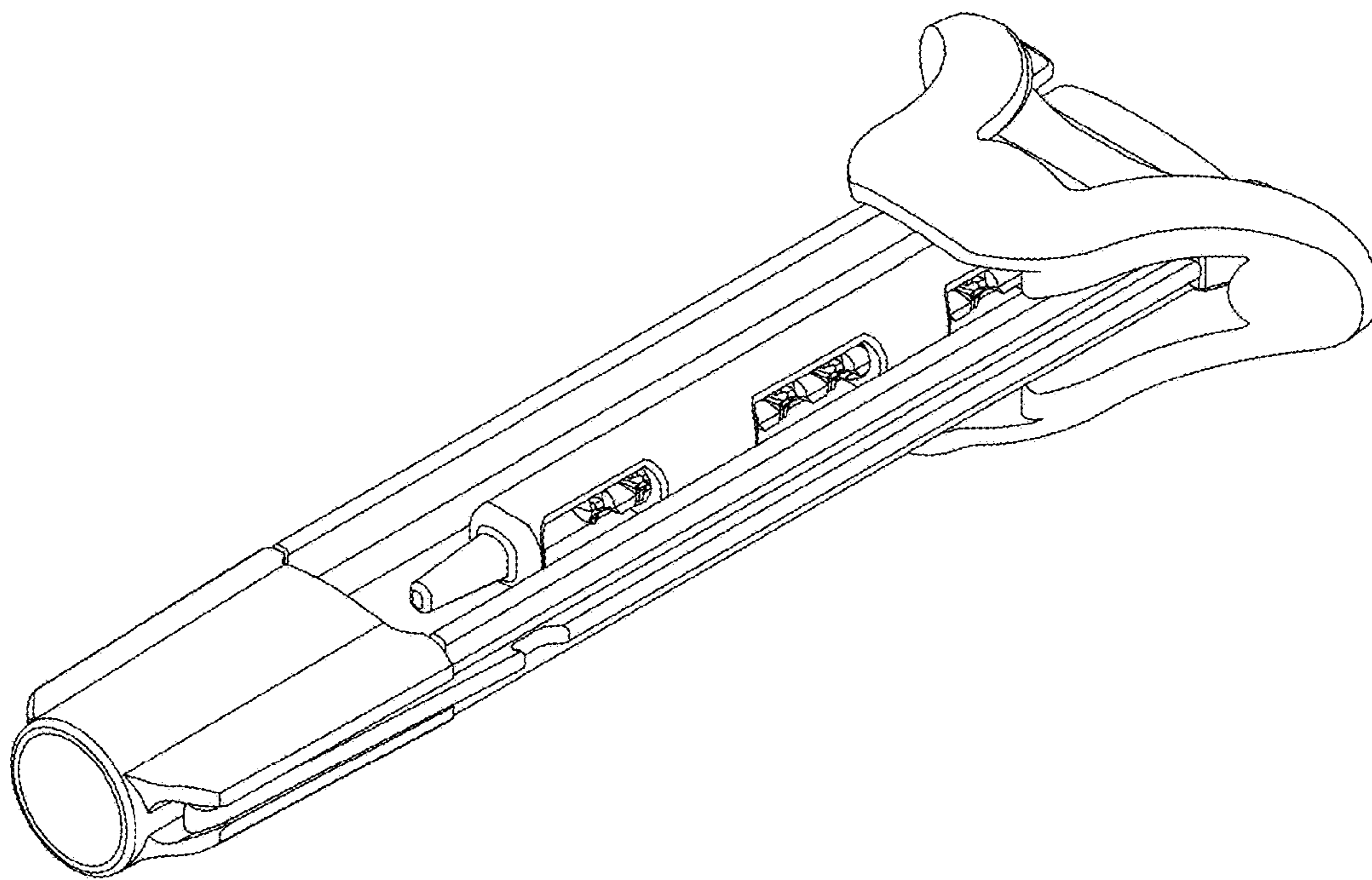


Fig. 7