



US00D802747S

(12) **United States Design Patent** (10) **Patent No.:** **US D802,747 S**
Au et al. (45) **Date of Patent:** **** Nov. 14, 2017**

(54) **RESERVOIR FOR ORAL IRRIGATOR**
(71) Applicant: **WATER PIK, INC.**, Fort Collins, CO (US)
(72) Inventors: **Heman Au**, Seattle, WA (US); **Jeffrey Ladwig**, Seattle, WA (US)

1,650,686 A 11/1927 Binks
1,669,889 A 5/1928 Andrews et al.
1,681,320 A 8/1928 Bergl et al.
1,933,454 A 10/1933 Sidney
1,940,111 A 12/1933 Austin
D93,019 S * 8/1934 Johnson et al. D1/122
(Continued)

(73) Assignee: **Water Pik, Inc.**, Fort Collins, CO (US)
(**) Term: **15 Years**

FOREIGN PATENT DOCUMENTS

CA 851479 9/1970
CH 655237 4/1986
(Continued)

(21) Appl. No.: **29/571,566**

(22) Filed: **Jul. 19, 2016**

OTHER PUBLICATIONS

(51) **LOC (10) Cl.** **24-02**
(52) **U.S. Cl.**
USPC **D24/111; D24/121**

US RE27,274, 01/1972, Mattingly (withdrawn)
(Continued)

(58) **Field of Classification Search**
USPC D24/108, 111-113, 133, 152, 176, 121, D24/127; D4/101, 138; D23/356, 359, D23/360, 386, 301, 309, 313; D9/432, D9/414; D3/203.1, 201, 200, 203.6; D11/143, 149, 152, 153, 155, 156; D6/534, 542-545; D7/601, 602, 612, D7/613, 306, 309
CPC A61C 17/0205; A61C 17/0202; A61C 17/224; A61C 17/20; A61C 17/005; A61C 17/028; A61C 17/02; A61C 17/36; A61C 17/00; A61C 17/0211; A61C 17/0214; A61C 17/28; A61C 17/043; A61C 17/22; A61C 17/222; A61C 17/225
See application file for complete search history.

Primary Examiner — Barbara Fox
Assistant Examiner — Lilyana Bekic
(74) *Attorney, Agent, or Firm* — Dorsey & Whitney LLP

(57) **CLAIM**

We claim the ornamental design for a reservoir for oral irrigator, as shown and described.

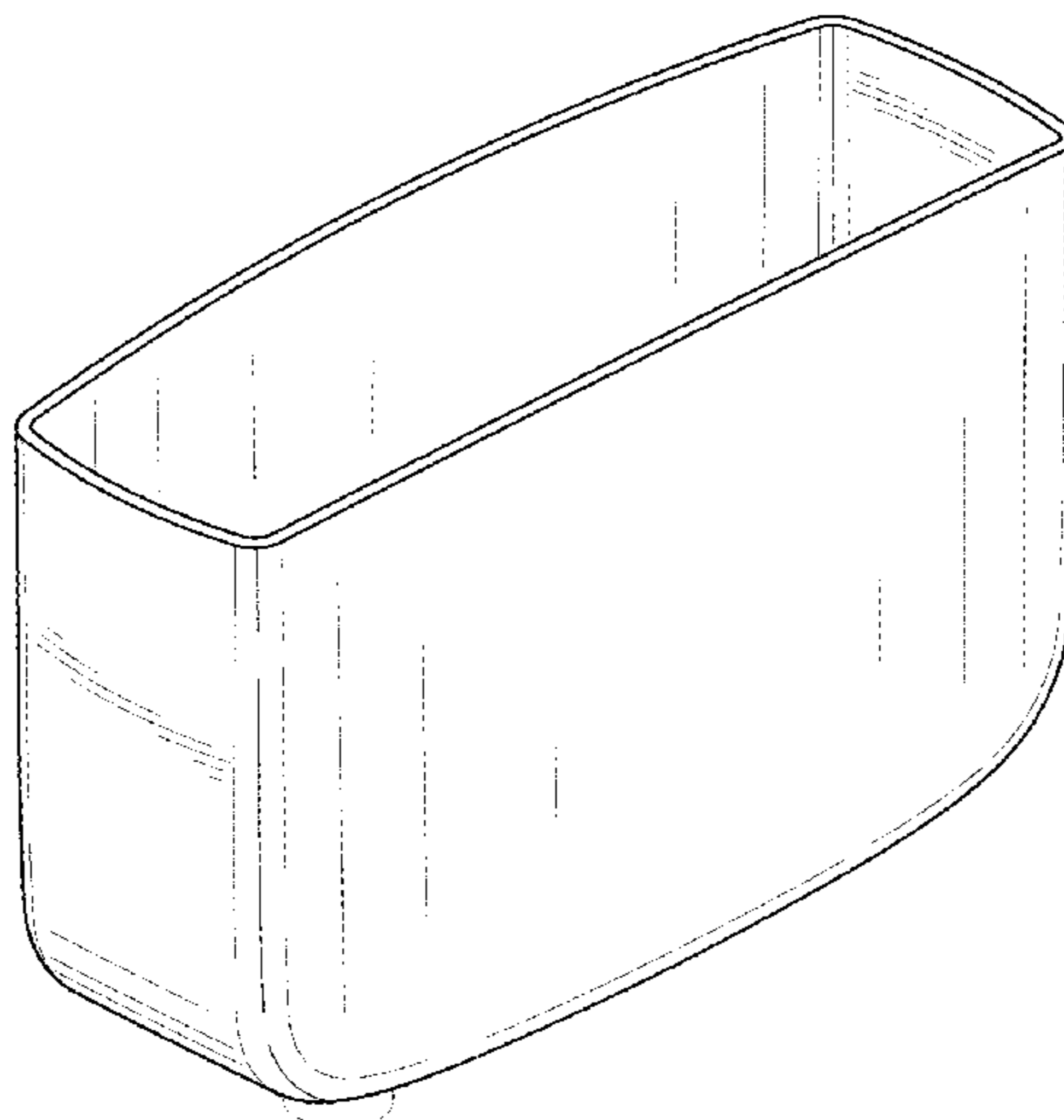
DESCRIPTION

FIG. 1 is a front isometric view of a reservoir for oral irrigator showing our new design;
FIG. 2 is a rear isometric view thereof;
FIG. 3 is a front elevation view thereof;
FIG. 4 is a rear elevation view thereof;
FIG. 5 is a left side elevation view thereof;
FIG. 6 is a right side elevation view thereof;
FIG. 7 is a top plan view thereof; and,
FIG. 8 is a bottom plan view thereof.
The broken lines in the drawings illustrate portions of the reservoir for oral irrigator that form no part of the claimed design.

(56) **References Cited**
U.S. PATENT DOCUMENTS

555,588 A 3/1896 Spencer
1,278,225 A 9/1918 Schamberg
1,452,258 A 4/1923 Smith
1,464,419 A 8/1923 Gill
1,480,310 A 1/1924 Smith
1,498,267 A 6/1924 Hachman

1 Claim, 5 Drawing Sheets



(56)

References Cited

U.S. PATENT DOCUMENTS

1,977,782 A	10/1934	Roy	3,837,166 A	9/1974	Hiraoka
2,107,686 A	2/1938	Bramsen et al.	3,840,795 A	10/1974	Roszyk et al.
D159,872 S *	8/1950	Skold D28/76	3,847,145 A	11/1974	Grossan
2,531,730 A	11/1950	Henderson	3,854,209 A	12/1974	Franklin et al.
2,595,666 A	5/1952	Hutson	3,863,628 A	2/1975	Vit
2,669,233 A	2/1954	Friend	3,871,560 A	3/1975	Crippa
2,709,227 A	5/1955	Foley et al.	3,874,506 A	4/1975	Hill et al.
2,783,919 A	3/1957	Ansell	3,912,125 A	10/1975	Acklin
2,794,437 A	6/1957	Tash	3,943,628 A	3/1976	Kronman et al.
2,870,932 A	1/1959	Davis	3,959,883 A	6/1976	Walls et al.
2,984,452 A	5/1961	Hooper	3,973,558 A	8/1976	Stouffer et al.
3,089,490 A	5/1963	Goldberg	3,977,084 A	8/1976	Sloan
3,096,913 A	7/1963	Jousson	4,001,526 A	1/1977	Olson
3,144,867 A	8/1964	Trupp et al.	4,004,302 A	1/1977	Hori
D202,041 S	8/1965	Burzlaff	4,007,739 A	2/1977	Bron et al.
3,209,956 A	10/1965	McKenzie	4,013,227 A	3/1977	Herrera
3,216,619 A	11/1965	Richards et al.	4,052,002 A	10/1977	Stouffer et al.
3,225,759 A	12/1965	Drapen et al.	D246,667 S	12/1977	Mackay et al.
3,227,158 A	1/1966	Mattingly	4,060,870 A	12/1977	Cannarella
3,266,623 A	8/1966	Poferl	4,075,761 A	2/1978	Behne et al.
3,297,558 A	1/1967	Hillquist	4,078,558 A	3/1978	Woog et al.
D208,778 S	10/1967	Koch	4,094,311 A	6/1978	Hudson
D209,204 S	11/1967	St. Clair et al.	4,108,167 A	8/1978	Hickman et al.
D209,395 S	11/1967	Gilbert	4,108,178 A	8/1978	Betush
D210,018 S	1/1968	Mattingly et al.	4,109,650 A	8/1978	Peclard
D210,019 S *	1/1968	Hose 601/162	4,122,845 A	10/1978	Stouffer et al.
3,370,214 A	2/1968	Aymar	4,135,501 A	1/1979	Leunissan
3,391,696 A	7/1968	Woodward	4,141,352 A	2/1979	Ebner et al.
3,393,673 A	7/1968	Mattingly et al.	4,144,646 A	3/1979	Takemoto et al.
3,400,999 A	9/1968	Goldstein	4,149,315 A	4/1979	Page, Jr. et al.
3,418,552 A	12/1968	Holmes	4,154,375 A	5/1979	Bippus
3,420,228 A	1/1969	Kalbfeld	4,160,383 A	7/1979	Rauschenberger
3,425,410 A	2/1969	Cammack	4,171,572 A	10/1979	Nash
3,453,969 A	7/1969	Mattingly	4,182,038 A	1/1980	Fleer
3,465,751 A	9/1969	Powers	4,200,235 A	4/1980	Monschke
3,467,083 A	9/1969	Mattingly	4,201,200 A	5/1980	Hubner
D215,920 S	11/1969	McCarty et al.	4,215,476 A	8/1980	Armstrong
3,487,828 A	1/1970	Troy	4,219,618 A	8/1980	Leonard
3,489,268 A	1/1970	Meierhoefer	4,227,878 A	10/1980	Lohn
3,495,587 A	2/1970	Freedman	4,229,634 A	10/1980	Hickman et al.
3,496,933 A	2/1970	Lloyd	4,236,889 A	12/1980	Wright
3,499,440 A	3/1970	Gibbs	D258,097 S *	2/1981	Wistrand D3/203.1
3,500,824 A	3/1970	Gilbert	4,248,589 A	2/1981	Lewis
3,501,203 A	3/1970	Falk	4,249,899 A	2/1981	Davis
3,502,072 A	3/1970	Stillman	4,257,458 A	3/1981	Kondo et al.
3,517,669 A	6/1970	Buono et al.	4,262,799 A	4/1981	Perrett
D218,270 S	8/1970	Soper	4,266,934 A	5/1981	Pernot
3,522,801 A	8/1970	Robinson	4,276,023 A	6/1981	Phillips et al.
3,532,221 A	10/1970	Kaluhiokalani et al.	4,276,880 A	7/1981	Malmin
3,536,065 A	10/1970	Moret	4,302,186 A	11/1981	Cammack et al.
3,537,444 A	11/1970	Garn	4,303,064 A	12/1981	Buffa
3,538,950 A	11/1970	Porteners	4,303,070 A	12/1981	Ichikawa et al.
3,547,110 A	12/1970	Balamuth	4,306,862 A	12/1981	Knox
3,561,433 A	2/1971	Kovach	4,315,741 A	2/1982	Reichl
D220,334 S *	3/1971	Mackay et al. D24/111	4,319,568 A	3/1982	Tregoning
3,570,525 A	3/1971	Borsum	4,331,422 A	5/1982	Heyman
3,572,375 A	3/1971	Rosenberg	4,337,040 A	6/1982	Cammack et al.
3,578,884 A	5/1971	Jacobson	4,340,365 A	7/1982	Pisanu
D220,996 S *	6/1971	Irons D9/721	4,340,368 A	7/1982	Lococo
3,583,609 A	6/1971	Oppenheimer	D266,117 S	9/1982	Oberheim
3,590,813 A	7/1971	Roszyk	4,353,694 A	10/1982	Pelerin
3,608,548 A	9/1971	Lewis	4,363,626 A	12/1982	Schmidt et al.
D222,862 S	1/1972	Cook	4,365,376 A	12/1982	Oda et al.
3,636,947 A	1/1972	Balamuth	4,370,131 A	1/1983	Banko
3,651,576 A	3/1972	Massa	4,374,354 A	2/1983	Petrovic et al.
3,669,101 A	6/1972	Kleiner	4,382,167 A	5/1983	Maruyama et al.
3,703,170 A	11/1972	Ryckman, Jr.	4,382,786 A	5/1983	Lohn
3,747,595 A	7/1973	Grossan	D270,000 S	8/1983	Ketler
3,768,472 A	10/1973	Hodosh et al.	4,412,823 A	11/1983	Sakai et al.
3,783,364 A	1/1974	Gallanis et al.	4,416,628 A	11/1983	Cammack
3,809,506 A	5/1974	Malcosky	4,442,830 A	4/1984	Markau
3,809,977 A	5/1974	Balamuth et al.	4,442,831 A	4/1984	Trenary
3,811,432 A	5/1974	Moret	4,452,238 A	6/1984	Kerr
3,820,532 A	6/1974	Eberhardt et al.	4,454,866 A	6/1984	Fayen
3,827,147 A	8/1974	Condon	4,512,769 A	4/1985	Kozam et al.
			4,517,962 A	5/1985	Heckele
			4,531,912 A	7/1985	Schuss et al.
			4,531,913 A	7/1985	Taguchi
			4,534,340 A	8/1985	Kerr et al.

(56)

References Cited

U.S. PATENT DOCUMENTS

			5,027,798 A	7/1991	Primiano	
			5,029,576 A *	7/1991	Evans, Sr.	A61C 17/028 433/80
			5,033,617 A	7/1991	Hartwein et al.	
4,552,130 A	11/1985	Kinoshita	5,033,961 A	7/1991	Kandler et al.	
4,561,214 A	12/1985	Inoue	D318,918 S	8/1991	Hartwein	
D283,374 S	4/1986	Cheuk-Yiu	5,046,486 A	9/1991	Grulke et al.	
4,585,415 A	4/1986	Hommann	5,049,071 A	9/1991	Davis et al.	
4,591,777 A	5/1986	McCarty et al.	5,060,825 A	10/1991	Palmer et al.	
4,592,728 A	6/1986	Davis	5,061,180 A	10/1991	Wiele	
4,602,906 A	7/1986	Grunenfelder	5,062,795 A	11/1991	Woog	
4,607,627 A	8/1986	Leber et al.	5,064,168 A	11/1991	Raines et al.	
4,613,074 A	9/1986	Schulze	D322,314 S	12/1991	Ohbayashi	
4,619,009 A	10/1986	Rosenstatter	5,071,346 A	12/1991	Domaas	
4,619,612 A	10/1986	Weber et al.	5,082,115 A	1/1992	Hutcheson	
4,629,425 A	12/1986	Detsch	5,082,443 A	1/1992	Lohn	
4,636,198 A	1/1987	Stade	5,085,317 A	2/1992	Jensen et al.	
4,642,037 A	2/1987	Fritchman	5,086,756 A	2/1992	Powell	
4,644,937 A	2/1987	Hommann	5,095,893 A	3/1992	Rawden, Jr.	
4,645,488 A	2/1987	Matukas	5,098,291 A	3/1992	Curtis et al.	
4,647,831 A	3/1987	O'Malley et al.	5,098,676 A	3/1992	Brooks, Jr.	
4,648,838 A	3/1987	Schlachter	5,100,319 A *	3/1992	Baum	A61C 17/0202 433/80
4,650,475 A	3/1987	Smith et al.				
4,655,198 A	4/1987	Hommann	5,117,871 A	6/1992	Gardner et al.	
4,669,453 A	6/1987	Atkinson et al.	5,125,835 A	6/1992	Young	
4,672,953 A	6/1987	DiVito	5,127,831 A	7/1992	Bab	
4,673,396 A	6/1987	Urbaniak	5,142,723 A	9/1992	Lustig et al.	
D291,354 S	8/1987	Camens	5,150,841 A	9/1992	Silvenis et al.	
4,716,352 A	12/1987	Hurn et al.	5,172,810 A	12/1992	Brewer	
4,749,340 A	6/1988	Ikeda et al.	5,173,273 A	12/1992	Brewer	
4,770,632 A	9/1988	Ryder et al.	5,183,035 A	2/1993	Weir	
D298,565 S *	11/1988	Kohler, Jr.	5,197,458 A	3/1993	Ito et al.	D23/313
4,783,321 A	11/1988	Spence	5,197,460 A	3/1993	Ito et al.	
4,787,845 A	11/1988	Valentine	5,199,871 A	4/1993	Young	
4,787,847 A	11/1988	Martin et al.	5,203,697 A	4/1993	Malmin	
4,798,292 A	1/1989	Hauze	5,203,769 A	4/1993	Clement et al.	
4,803,974 A	2/1989	Powell	5,204,004 A	4/1993	Johnston et al.	
4,804,364 A	2/1989	Dieras et al.	5,208,933 A	5/1993	Lustig et al.	
4,818,229 A	4/1989	Vasile	5,215,193 A	6/1993	Dennis	
4,820,152 A	4/1989	Warrin et al.	5,218,956 A	6/1993	Handler et al.	
4,821,923 A	4/1989	Skorka	5,220,914 A	6/1993	Thompson	
4,824,368 A	4/1989	Hickman	5,228,646 A	7/1993	Raines	
4,826,431 A	5/1989	Fujimura et al.	5,230,624 A	7/1993	Wolf et al.	
4,827,551 A	5/1989	Maser et al.	5,232,687 A	8/1993	Geimer	
4,832,683 A	5/1989	Idemoto et al.	5,235,968 A	8/1993	Woog	
4,854,869 A	8/1989	Lawhorn	5,241,714 A	9/1993	Barry	
4,861,340 A	8/1989	Smith et al.	5,246,367 A	9/1993	Ito et al.	
4,862,876 A	9/1989	Lih-Sheng	5,252,064 A	10/1993	Baum et al.	
4,869,720 A	9/1989	Chernack	D341,200 S	11/1993	Yoshimoto	
4,880,382 A	11/1989	Moret et al.	5,257,933 A	11/1993	Jousson	
4,886,452 A	12/1989	Lohn	5,261,448 A	11/1993	Furuya et al.	
4,900,252 A	2/1990	Liefke et al.	D341,943 S	12/1993	Si-Hoe	
4,902,225 A	2/1990	Lohn	5,267,586 A	12/1993	Jankavaara	
4,903,687 A	2/1990	Lih-Sheng	5,269,684 A	12/1993	Fischer	
4,906,187 A	3/1990	Amadera	5,281,137 A	1/1994	Jousson	
4,907,744 A	3/1990	Jousson	5,281,139 A	1/1994	Frank et al.	
4,925,450 A	5/1990	Imonti et al.	5,282,745 A	2/1994	Wiltrout et al.	
4,928,675 A	5/1990	Thornton	5,286,192 A	2/1994	Dixon	
4,930,660 A	6/1990	Porteous	5,286,201 A	2/1994	Yu	
4,941,459 A	7/1990	Mathur	5,295,832 A	3/1994	Evans	
4,950,159 A	8/1990	Hansen	5,297,962 A	3/1994	O'Connor et al.	
4,958,629 A	9/1990	Peace et al.	D346,212 S	4/1994	Hosl	
4,958,751 A	9/1990	Curtis et al.	5,301,381 A	4/1994	Klupt	
4,959,199 A	9/1990	Brewer	5,302,123 A	4/1994	Bechard	
4,961,698 A	10/1990	Vlock	5,317,691 A	5/1994	Traeger	
4,966,551 A	10/1990	Betush	5,321,865 A	6/1994	Kaesar	
4,969,874 A	11/1990	Michel et al.	5,331,704 A	7/1994	Rosen et al.	
4,973,246 A	11/1990	Black	5,344,317 A	9/1994	Pacher et al.	
4,973,247 A	11/1990	Varnes et al.	5,346,677 A	9/1994	Risk	
4,973,250 A	11/1990	Milman	D351,892 S	10/1994	Wolf et al.	
4,975,054 A	12/1990	Esrock	5,360,338 A	11/1994	Waggoner	
4,979,503 A	12/1990	Chernack	5,368,548 A	11/1994	Jousson	
4,979,504 A	12/1990	Mills	5,370,534 A	12/1994	Wolf et al.	
4,989,590 A *	2/1991	Baum	D354,168 S	1/1995	Hartwein	A61C 1/0092 137/493.3
			D354,559 S	1/1995	Knute	
4,998,880 A	3/1991	Nerli	5,378,149 A	1/1995	Stropko	
5,013,241 A	5/1991	Von Guttfeld et al.	5,380,201 A	1/1995	Kawata	
5,014,884 A	5/1991	Wunsch	D356,864 S	3/1995	Woog	
5,019,054 A	5/1991	Clement et al.	5,399,089 A	3/1995	Eichman et al.	

(56)

References Cited

U.S. PATENT DOCUMENTS

D358,883 S	5/1995	Vos		D425,981 S *	5/2000	Bachman	D24/111
5,456,672 A	10/1995	Diederich et al.		6,056,710 A *	5/2000	Bachman	A61C 17/02
5,465,445 A	11/1995	Yeh					601/162
5,467,495 A	11/1995	Boland et al.		D426,633 S	6/2000	Bachman et al.	
5,468,148 A	11/1995	Ricks		6,089,865 A	7/2000	Edgar	
5,470,305 A	11/1995	Arnett et al.		6,116,866 A	9/2000	Tomita et al.	
5,474,450 A	12/1995	Chronister		6,120,755 A	9/2000	Jacobs	
5,474,451 A	12/1995	Dalrymple et al.		6,124,699 A	9/2000	Suzuki et al.	
5,476,379 A	12/1995	Disel		D434,500 S	11/2000	Pollock et al.	
5,484,281 A	1/1996	Renow et al.		6,159,006 A	12/2000	Cook et al.	
5,487,877 A	1/1996	Choi		6,164,967 A	12/2000	Sale et al.	
5,490,779 A	2/1996	Malmin		D435,905 S	1/2001	Bachman et al.	
5,505,916 A	4/1996	Berry, Jr.		D437,049 S	1/2001	Hartwein	
D369,656 S	5/1996	Vos		6,193,512 B1	2/2001	Wallace	
D370,125 S	5/1996	Craft et al.		6,193,932 B1	2/2001	Wu et al.	
5,525,058 A	6/1996	Gallant et al.		6,199,239 B1	3/2001	Dickerson	
5,526,841 A	6/1996	Detsch et al.		6,200,134 B1	3/2001	Kovac	
5,540,587 A	7/1996	Malmin		D439,781 S	4/2001	Spore	
5,547,374 A	8/1996	Coleman		6,217,835 B1	4/2001	Riley et al.	
D373,631 S	9/1996	Maeda et al.		D441,861 S	5/2001	Hafliger	
5,554,014 A	9/1996	Becker		6,233,773 B1	5/2001	Karge et al.	
5,554,025 A	9/1996	Kinsel		6,234,205 B1	5/2001	D'Amelio et al.	
5,556,001 A	9/1996	Weissman et al.		6,237,178 B1	5/2001	Krammer et al.	
5,564,629 A	10/1996	Weissman et al.		6,247,929 B1	6/2001	Bachman et al.	
D376,893 S *	12/1996	Gornet	D1/122	6,280,190 B1	8/2001	Hoffman	
D377,091 S	12/1996	Scott, Sr.		D448,236 S	9/2001	Murray	
5,613,259 A	3/1997	Craft et al.		6,293,792 B1	9/2001	Hanson	
5,616,028 A	4/1997	Hafele et al.		D449,884 S	10/2001	Tobin et al.	
5,626,472 A	5/1997	Pennetta		D453,453 S	2/2002	Lun	
5,634,791 A	6/1997	Matsuura et al.		D455,201 S *	4/2002	Jones	D23/301
5,636,987 A	6/1997	Serfaty		D455,203 S *	4/2002	Jones	D23/313
5,640,735 A	6/1997	Manning		6,363,565 B1	4/2002	Paffrath	
D382,407 S	8/1997	Craft et al.		D457,949 S	5/2002	Krug	
5,653,591 A	8/1997	Loge		D464,799 S	10/2002	Crossman et al.	
5,659,995 A	8/1997	Hoffman		6,468,482 B1	10/2002	Frieze et al.	
5,667,483 A	9/1997	Santos		6,475,173 B1	11/2002	Bachman et al.	
D386,576 S	11/1997	Wang et al.		6,485,451 B1	11/2002	Roberts et al.	
5,683,192 A	11/1997	Kilfoil		6,497,375 B1	12/2002	Srinath et al.	
5,685,829 A	11/1997	Allen		6,497,572 B2	12/2002	Hood et al.	
5,685,851 A	11/1997	Murphy et al.		6,502,584 B1	1/2003	Fordham	
5,697,784 A	12/1997	Hafele et al.		D470,660 S	2/2003	Schaber	
D388,612 S	1/1998	Stutzer et al.		6,558,344 B2	5/2003	McKinnon et al.	
D388,613 S	1/1998	Stutzer et al.		6,561,808 B2	5/2003	Neuberger et al.	
D389,091 S *	1/1998	Dickinson	D11/156	D475,346 S	6/2003	McCurrach et al.	
5,709,545 A	1/1998	Johnston et al.		D476,743 S	7/2003	D'Silva	
D390,934 S *	2/1998	McKeone	D23/313	6,589,477 B1	7/2003	Frieze et al.	
5,716,007 A	2/1998	Nottingham et al.		6,602,071 B1	8/2003	Ellion et al.	
5,718,668 A	2/1998	Arnett et al.		6,632,091 B1	10/2003	Cise et al.	
5,746,595 A	5/1998	Ford		D482,451 S	11/2003	Page et al.	
5,749,726 A	5/1998	Kinsel		6,640,999 B2	11/2003	Peterson	
5,759,502 A	6/1998	Spencer et al.		6,647,577 B2	11/2003	Tam	
5,779,471 A	7/1998	Tseng et al.		6,659,674 B2	12/2003	Carlucci et al.	
5,779,654 A	7/1998	Foley et al.		6,669,059 B2	12/2003	Mehta	
5,795,153 A	8/1998	Rechmann		D484,971 S	1/2004	Hartwein	
5,796,325 A	8/1998	Lundell et al.		6,681,418 B1	1/2004	Bierend	
5,833,065 A	11/1998	Burgess		D486,573 S	2/2004	Callaghan et al.	
5,836,030 A	11/1998	Hazeu et al.		6,689,078 B1	2/2004	Rehkemper et al.	
D402,744 S	12/1998	Zuege		6,699,208 B2	3/2004	Bachman et al.	
5,851,079 A	12/1998	Horstman et al.		6,719,561 B2	4/2004	Gugel et al.	
D403,511 S *	1/1999	Serbinski	D24/111	D489,183 S	5/2004	Akahori et al.	
D406,334 S	3/1999	Rosenthal et al.		6,739,782 B1	5/2004	Rehkemper et al.	
5,876,201 A	3/1999	Wilson et al.		6,740,053 B2	5/2004	Kaplowitz	
D408,511 S	4/1999	Allen et al.		D490,899 S	6/2004	Gagnon	
5,901,397 A	5/1999	Häfele et al.		D491,728 S	6/2004	Jimenez	
5,934,902 A	8/1999	Abahusayn		D492,996 S	7/2004	Rehkemper et al.	
D413,975 S	9/1999	Maeda		6,761,324 B2	7/2004	Chang	
D416,999 S	11/1999	Miyamoto		6,766,549 B2	7/2004	Klupt	
D417,082 S	11/1999	Classen et al.		D495,142 S	8/2004	Berde	
5,993,402 A	11/1999	Sauer et al.		D495,143 S	8/2004	Berde	
6,030,215 A	2/2000	Ellion et al.		6,779,216 B2	8/2004	Davies et al.	
6,038,960 A	3/2000	Fukushima et al.		6,783,004 B1	8/2004	Rinner	
6,039,180 A	3/2000	Grant		6,783,505 B1	8/2004	Lai	
6,047,429 A	4/2000	Wu		6,796,796 B2	9/2004	Segal	
D424,181 S *	5/2000	Caplow	D23/301	D498,643 S	11/2004	Pryor	
D425,615 S	5/2000	Bachman et al.		6,814,259 B1	11/2004	Foster et al.	
				D499,885 S	12/2004	Xi	
				6,835,181 B2	12/2004	Hippensteel	
				D500,599 S	1/2005	Callaghan	
				6,837,708 B2	1/2005	Chen et al.	

(56)

References Cited

U.S. PATENT DOCUMENTS

6,884,069 B2	4/2005	Goldman	8,408,483 B2	4/2013	Boyd et al.
6,902,337 B1	6/2005	Kuo	D686,311 S	7/2013	Mori
6,907,879 B2	6/2005	Drinan et al.	D694,378 S *	11/2013	Bates D23/313
D509,585 S	9/2005	Kling et al.	D700,343 S	2/2014	Taylor
D513,638 S	1/2006	Pan	D702,819 S *	4/2014	Liu
D515,215 S	2/2006	Wang	D702,821 S *	4/2014	Garland D23/301
D522,652 S	6/2006	Massey	D707,350 S	6/2014	Garland D23/313
7,080,980 B2	7/2006	Klupt	D709,183 S	7/2014	Woodard
D529,661 S	10/2006	Schmidt	D714,929 S	10/2014	Kemlein
D530,010 S	10/2006	Luettgen et al.	D714,930 S	10/2014	Kim et al.
7,117,555 B2	10/2006	Fattori et al.	D717,412 S *	11/2014	Kim et al.
D532,570 S *	11/2006	Vizcarra D32/55	D717,427 S	11/2014	Bucher D23/301
7,131,838 B2	11/2006	Suzuki et al.	D718,855 S	12/2014	Kim
D533,720 S	12/2006	Vu	D723,387 S *	3/2015	Kim et al.
D538,474 S	3/2007	Sheppard et al.	D725,770 S	3/2015	Fath D9/711
D548,334 S	8/2007	Izumi	D731,640 S	6/2015	Kim et al.
D550,097 S	9/2007	Lepoitevin	D735,305 S *	7/2015	Kim et al.
D553,980 S *	10/2007	VerWeyst D9/432	D740,936 S	10/2015	Obara D23/313
7,276,035 B2	10/2007	Lu	D745,329 S *	12/2015	Kim et al.
7,314,456 B2	1/2008	Shaw	D745,423 S	12/2015	Ong D7/586
D565,175 S	3/2008	Boyd et al.	D746,975 S	1/2016	Schenck
7,344,510 B1	3/2008	Yande	D747,464 S	1/2016	Taylor
D565,713 S	4/2008	Gao	D754,330 S	4/2016	Kim et al.
7,367,803 B2	5/2008	Egeresi	D756,122 S	5/2016	Taylor
D574,952 S	8/2008	Boyd et al.	D764,051 S	8/2016	Wang
D577,198 S	9/2008	Jimenez	D766,423 S	9/2016	Kim et al.
D577,814 S	9/2008	Seki et al.	D772,396 S	11/2016	Kim et al.
D581,279 S	11/2008	Oates	D772,397 S	11/2016	Kim et al.
7,455,521 B2	11/2008	Fishburne, Jr.	D774,651 S	12/2016	Kaib
7,469,440 B2	12/2008	Boland et al.	D776,253 S	1/2017	Li
D585,132 S	1/2009	Pukall	D782,326 S *	3/2017	Fath D9/711
D588,262 S	3/2009	Pukall	D782,656 S *	3/2017	Au D24/111
7,500,584 B2	3/2009	Schutz	2002/0090252 A1	7/2002	Hall et al.
D590,492 S	4/2009	Powell	2002/0108193 A1	8/2002	Gruber
D592,748 S	5/2009	Boulton	2002/0119415 A1	8/2002	Bailey
D595,136 S	6/2009	Canamasas Puigbo	2002/0152565 A1	10/2002	Klupt
D601,694 S	10/2009	Rocklin	2003/0060743 A1	3/2003	Chang
D601,697 S	10/2009	Sobeich et al.	2003/0098249 A1	5/2003	Rollock
D603,708 S	11/2009	Handy	2003/0204155 A1	10/2003	Egeresi
D608,430 S *	1/2010	Slothower D23/313	2003/0213075 A1	11/2003	Hui et al.
7,670,141 B2	3/2010	Thomas et al.	2004/0045107 A1	3/2004	Egeresi
7,677,888 B1	3/2010	Halm	2004/0076921 A1	4/2004	Gofman et al.
D613,550 S	4/2010	Picozza et al.	2004/0122377 A1	6/2004	Fischer et al.
D621,949 S	8/2010	Seki et al.	2004/0126730 A1	7/2004	Panagotacos
D622,928 S *	9/2010	Griebel D1/122	2004/0209222 A1	10/2004	Snyder
D623,376 S *	9/2010	Griebel D1/122	2005/0049620 A1	3/2005	Chang
D625,406 S	10/2010	Seki et al.	2005/0064371 A1	3/2005	Soukos et al.
7,814,585 B1	10/2010	Reich	2005/0101894 A1	5/2005	Hippensteel
D626,647 S	11/2010	Amborn	2005/0102773 A1	5/2005	Obermann et al.
D629,884 S	12/2010	Stephens	2005/0144745 A1	7/2005	Russell
7,857,623 B2	12/2010	Grez	2005/0177079 A1	8/2005	Pan
7,862,536 B2	1/2011	Chen et al.	2005/0271531 A1	12/2005	Brown et al.
7,959,597 B2	6/2011	Baker et al.	2006/0008373 A1	1/2006	Schutz
D640,872 S	7/2011	Nanda	2006/0010624 A1	1/2006	Cleland
D648,539 S	11/2011	Wai	2006/0026784 A1	2/2006	Moskovich et al.
D651,409 S	1/2012	Papenfu	2006/0057539 A1	3/2006	Sodo
D651,805 S	1/2012	Hay	2006/0078844 A1	4/2006	Goldman et al.
D653,340 S	1/2012	Goerge et al.	2006/0079818 A1	4/2006	Yande
8,113,832 B2	2/2012	Snyder et al.	2007/0082316 A1	4/2007	Zhadanov et al.
D655,380 S	3/2012	Taylor	2007/0082317 A1	4/2007	Chuang
D658,381 S	5/2012	Gebski	2007/0113360 A1	5/2007	Tsai
D658,538 S *	5/2012	Korzeniowski D11/143	2007/0202459 A1	8/2007	Boyd et al.
8,220,726 B2	7/2012	Qiu et al.	2007/0203439 A1	8/2007	Boyd et al.
D666,912 S	9/2012	Kawai	2007/0254260 A1	11/2007	Alden
8,256,979 B2	9/2012	Hilscher et al.	2008/0189951 A1	8/2008	Molema et al.
D668,339 S	10/2012	Luoto	2008/0213719 A1	9/2008	Giniger et al.
D669,169 S	10/2012	Washington et al.	2009/0070949 A1	3/2009	Sagel et al.
8,297,534 B2	10/2012	Li et al.	2009/0082706 A1	3/2009	Shaw
D670,373 S	11/2012	Taylor et al.	2009/0124945 A1	5/2009	Reich et al.
D670,958 S	11/2012	Picozza et al.	2009/0163839 A1	6/2009	Alexander
D671,637 S	11/2012	Gebski et al.	2009/0281454 A1	11/2009	Baker et al.
D672,018 S *	12/2012	Bucher D23/301	2010/0010524 A1	1/2010	Barrington
8,366,024 B2	2/2013	Leber et al.	2010/0015566 A1	1/2010	Shaw
8,403,577 B2	3/2013	Khoshnevis	2010/0190132 A1	7/2010	Taylor et al.
8,403,665 B2	3/2013	Thomas et al.	2010/0239998 A1	9/2010	Snyder et al.
			2010/0261134 A1	10/2010	Boyd et al.
			2010/0261137 A1	10/2010	Boyd et al.
			2010/0326536 A1	12/2010	Nan

(56)

References Cited

OTHER PUBLICATIONS

U.S. PATENT DOCUMENTS

2010/0330527	A1	12/2010	Boyd et al.	
2011/0027749	A1	2/2011	Syed	
2011/0076090	A1	3/2011	Wu et al.	
2011/0097683	A1	4/2011	Boyd et al.	
2011/0139826	A1	6/2011	Hair et al.	
2011/0144588	A1	6/2011	Taylor et al.	
2011/0184341	A1	7/2011	Baker et al.	
2011/0307039	A1	12/2011	Cornell	
2012/0021374	A1	1/2012	Cacka et al.	
2012/0045730	A1	2/2012	Snyder et al.	
2012/0064480	A1	3/2012	Hegemann	
2012/0077145	A1	3/2012	Tsurukawa	
2012/0141952	A1	6/2012	Snyder et al.	
2012/0179118	A1	7/2012	Hair	
2012/0189976	A1	7/2012	McDonough et al.	
2012/0266396	A1	10/2012	Leung	
2012/0277677	A1	11/2012	Taylor et al.	
2012/0277678	A1	11/2012	Taylor et al.	
2012/0295220	A1	11/2012	Thomas et al.	
2013/0295520	A1*	11/2013	Hsieh	A61C 17/02 433/89
2014/0106296	A1	4/2014	Woodard et al.	
2014/0193774	A1	7/2014	Snyder et al.	
2014/0259474	A1	9/2014	Sokol et al.	
2014/0272769	A1	9/2014	Luetngen et al.	
2014/0272782	A1	9/2014	Luetngen et al.	
2014/0352088	A1	12/2014	Wu	
2015/0004559	A1	1/2015	Luetngen et al.	
2015/0147717	A1	5/2015	Taylor et al.	
2015/0173850	A1*	6/2015	Garrigues	A61C 1/0092 433/80
2015/0182319	A1	7/2015	Wagner et al.	
2016/0100921	A1	4/2016	Ungar	
2016/0151133	A1	6/2016	Luetngen et al.	

FOREIGN PATENT DOCUMENTS

DE	1466963	5/1969
DE	2409752	9/1975
DE	2545936	4/1977
DE	2714876	10/1978
DE	2910982	2/1980
EP	0023672	7/1980
EP	0515983	2/1992
FR	2556954	6/1985
FR	2654627	5/1991
GB	1182031	2/1970
GB	2018605	10/1979
JP	2-134150	5/1990
JP	2009-39455	2/2009
WO	WO95/016404	6/1995
WO	WO01/10327	2/2001
WO	WO04/021958	3/2004
WO	WO04/039205	5/2004
WO	WO2004/060259	7/2004
WO	WO2008/157585	12/2008
WO	WO2013/124691	8/2013

Waterpik WP350W Oral Irrigator. Dentist.net. Copyright date 2013. Date accessed: Mar. 30, 2017. <<http://www.dentalhoo.com/waterpik-wp350.asp>>.*

iPik Portable Oral Irrigator. AliExpress. Date reviewed: Oct. 5, 2016. <https://www.aliexpress.com/. . . e-Oral-Care-Product-Nasal-Irrigator-Tooth-Flosser-Water/1525541997.html?aff__platform=aaf&cpt=1490913714609&sk=yfAeyJa&aff_trace__key=c5a300c4f02e46d08c042f5292e1762f-1490913714609-07517-yfAeyJa>.*

Brite Leaf's Professional Portable 2-in-1 Nasal Sinus & Oral Irrigator. Brite Leaf's. Copyright date 2012. <<http://www.briteleafs.com/product6.html>>.*

The Right Tool, Electron Fusion Devices, Inc., 2 pages, at least as early as Feb. 1991.

Japanese Packaging, 2 pages, at least as early as Dec. 2002.

Japanese Instruction Brochure, 20 pages, at least as early as Dec. 2002.

Brochure: Woog International, "You have a 98% chance of getting gum disease. Unless you read this.", Lancaster, Pennsylvania, 5 pages, Feb. 1987.

Brochure: Woog International, "We put the control of home dental care back into the hands of the professional", Lancaster, Pennsylvania, 2 pages, Feb. 1987.

Brochure: Woog International, "Products at a Glance: Home Dental Care System" WOOG ORAJET, 3 pages, at least as early as Dec. 18, 1998.

Website: http://www.just4teeth.com/product/Panasonic/Panasonic_Portable_Irrigator.htm, 2 pages, at least as early as Jun. 20, 2003.

Website: http://www.videodirectstore.com/store/merchant.mv?Screen=PROD&Product_Code.EW1' . . ., 2 pages, at least as early as Jun. 20, 2003.

Website: <http://products.consumerguide.com/cp/family/review/index.cfm/id/18742>, 2 pages, at least as early as Jun. 20, 2003.

Website: <http://www.racekarteng.com/images/walbroparts.gif> and <http://www.muller.net/mullermachine/docs/walbro1.html>, 4 pages, at least as early as Jun. 20, 2003.

European Search Report, EPO Application No. 07250799.9, dated Jul. 5, 2007.

European Search Report, EPO Application No. 07252693.2, 14 pages, dated Apr. 28, 2008.

European Examination Report, EPO Application No. 07250799.9, dated Feb. 5, 2009.

International Search Report, Application No. PCT/US2010/028180, 2 pages, dated May 18, 2010.

International Search Report, PCT/US2010/060800, 2 pages, dated Feb. 11, 2011.

International Search Report, PCT/US2011/052795, 10 pages, dated Jan. 17, 2012.

Waterpik SinuSense Website: <http://www.insightsbyapril.com/2012/03/waterpik-natural-remedy-for-sinus.html>, 8 pages, retrieved on May 31, 2012.

Website: <https://www.waterpik.com/about-us/>, 3 pages.

* cited by examiner

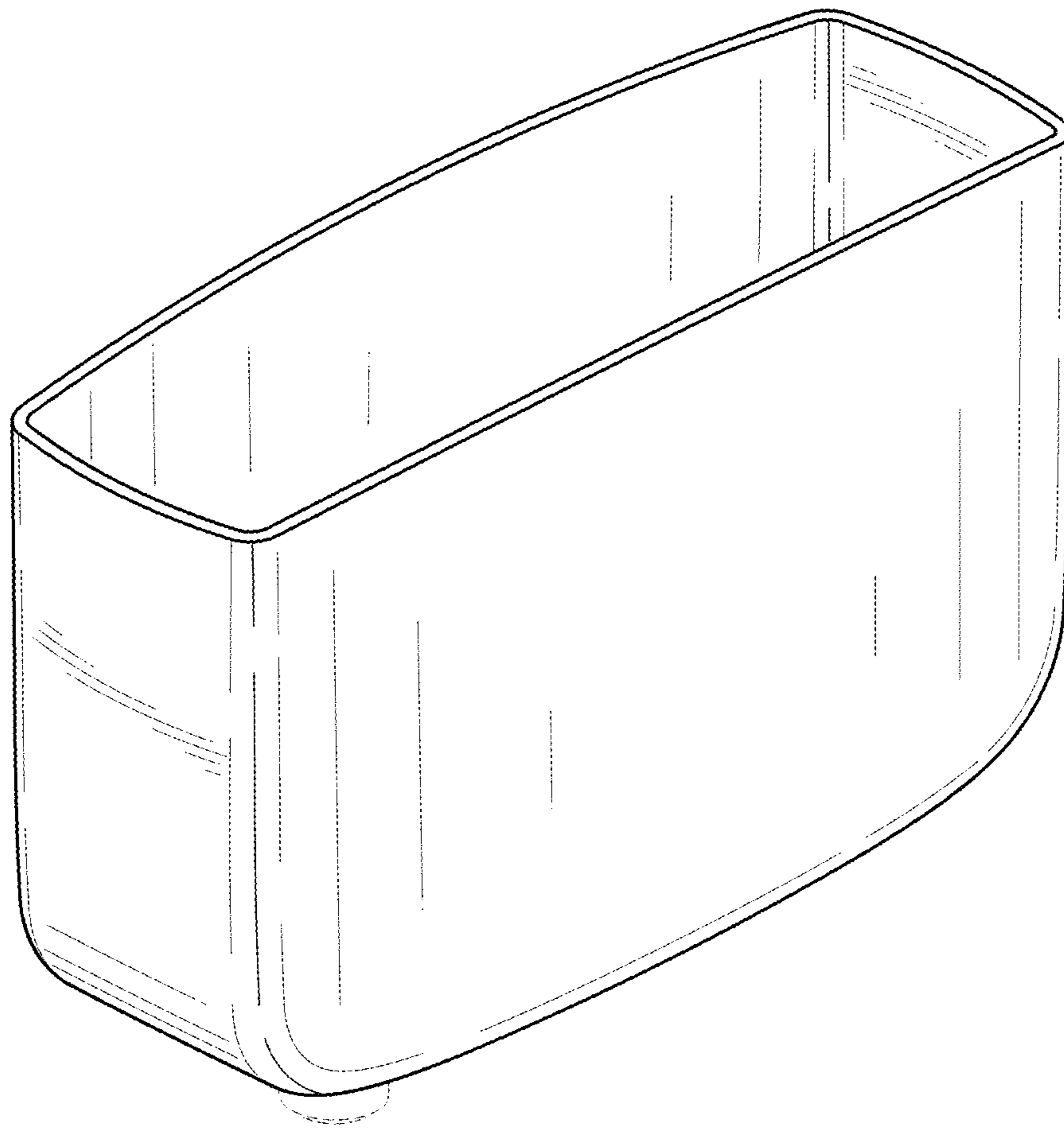


FIG. 1

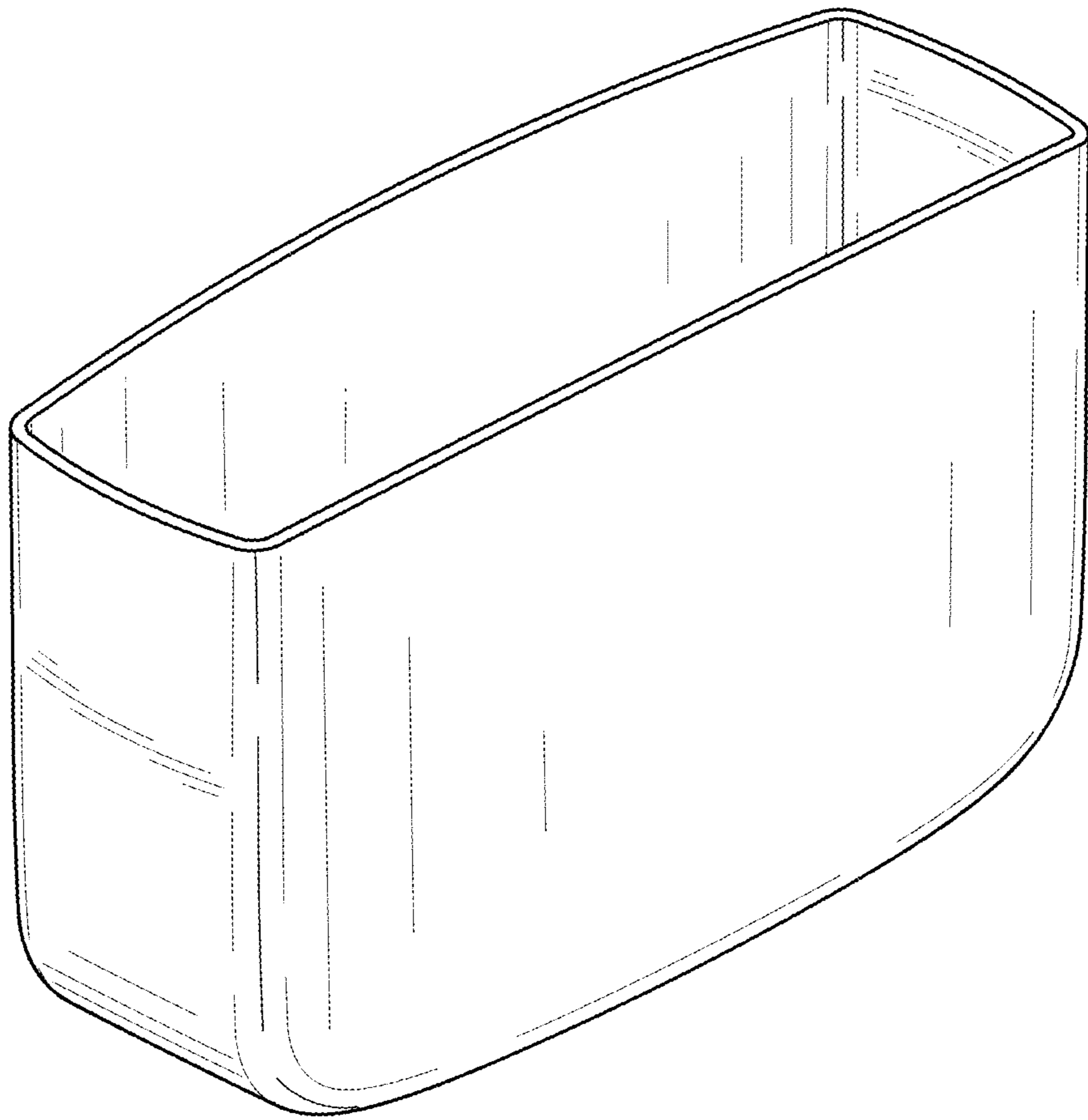


FIG. 2

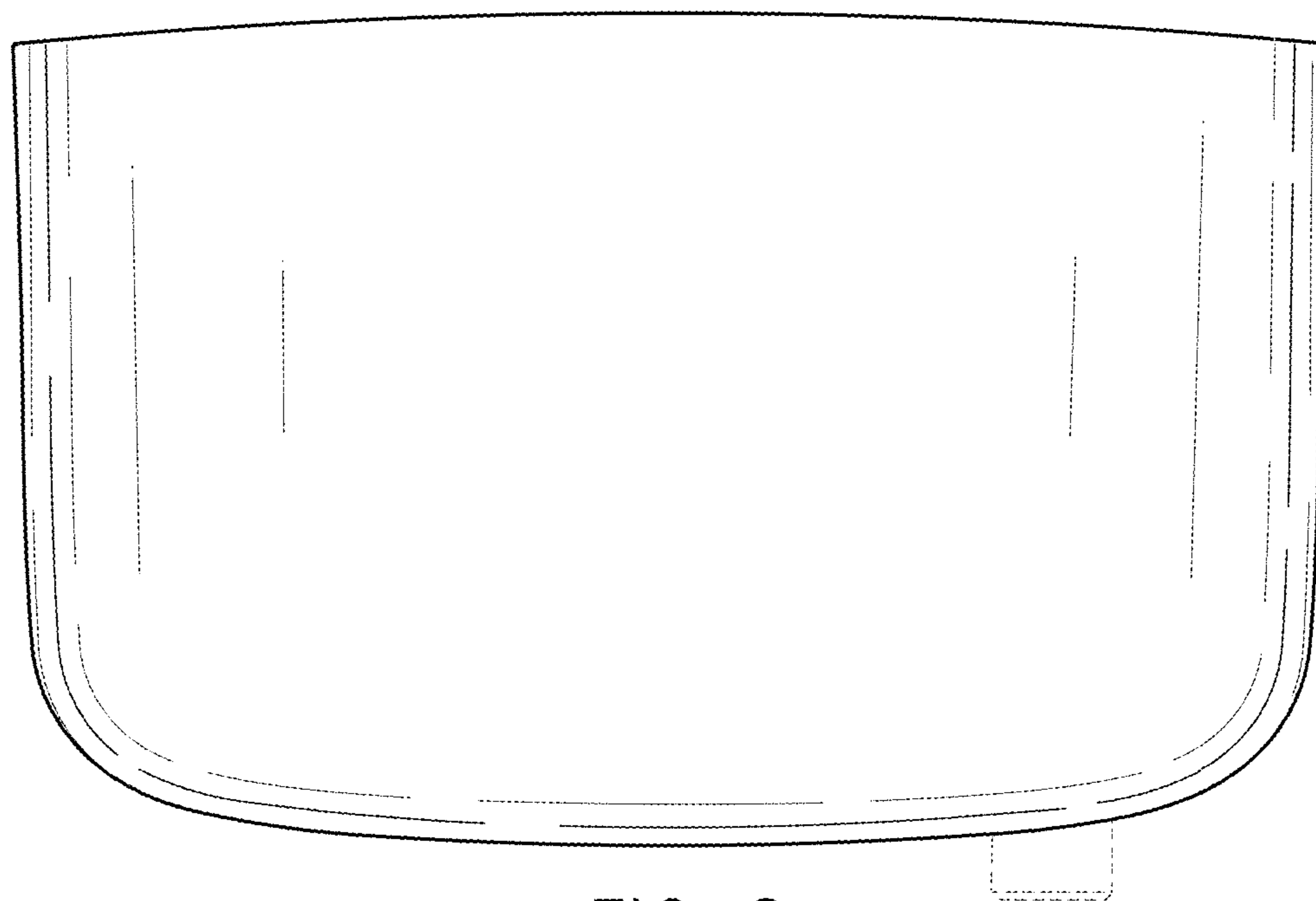


FIG. 3

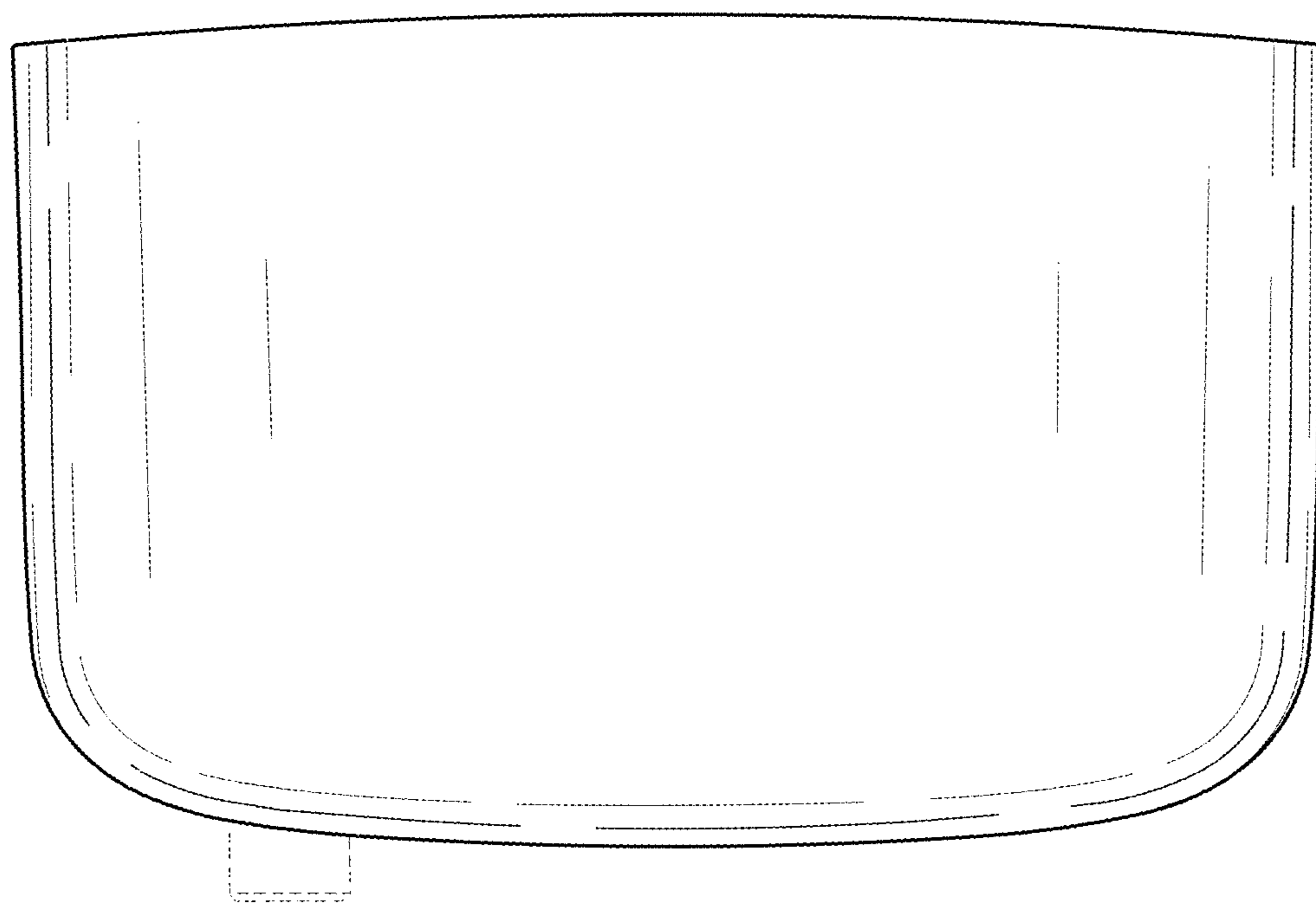


FIG. 4

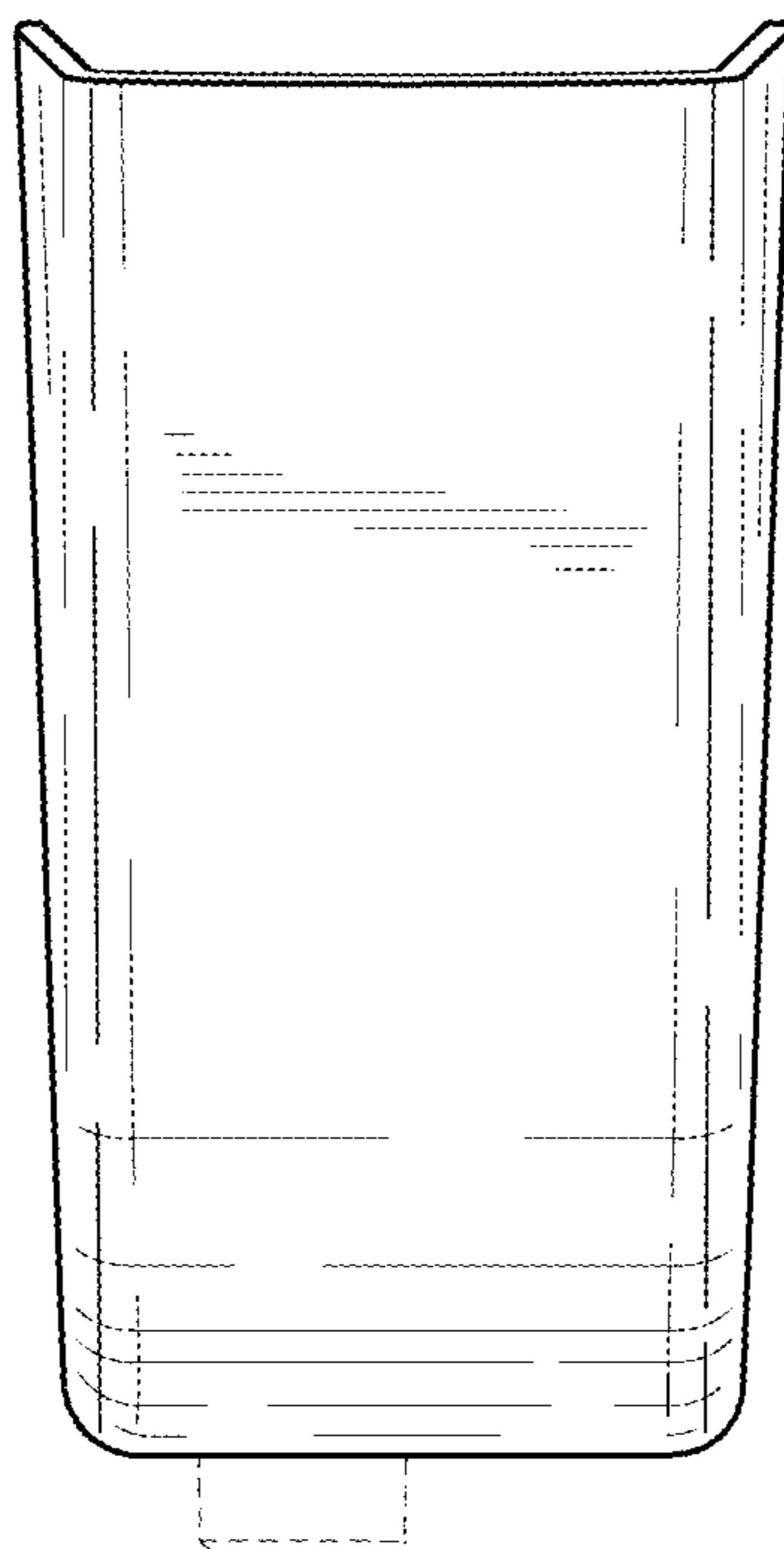


FIG. 5

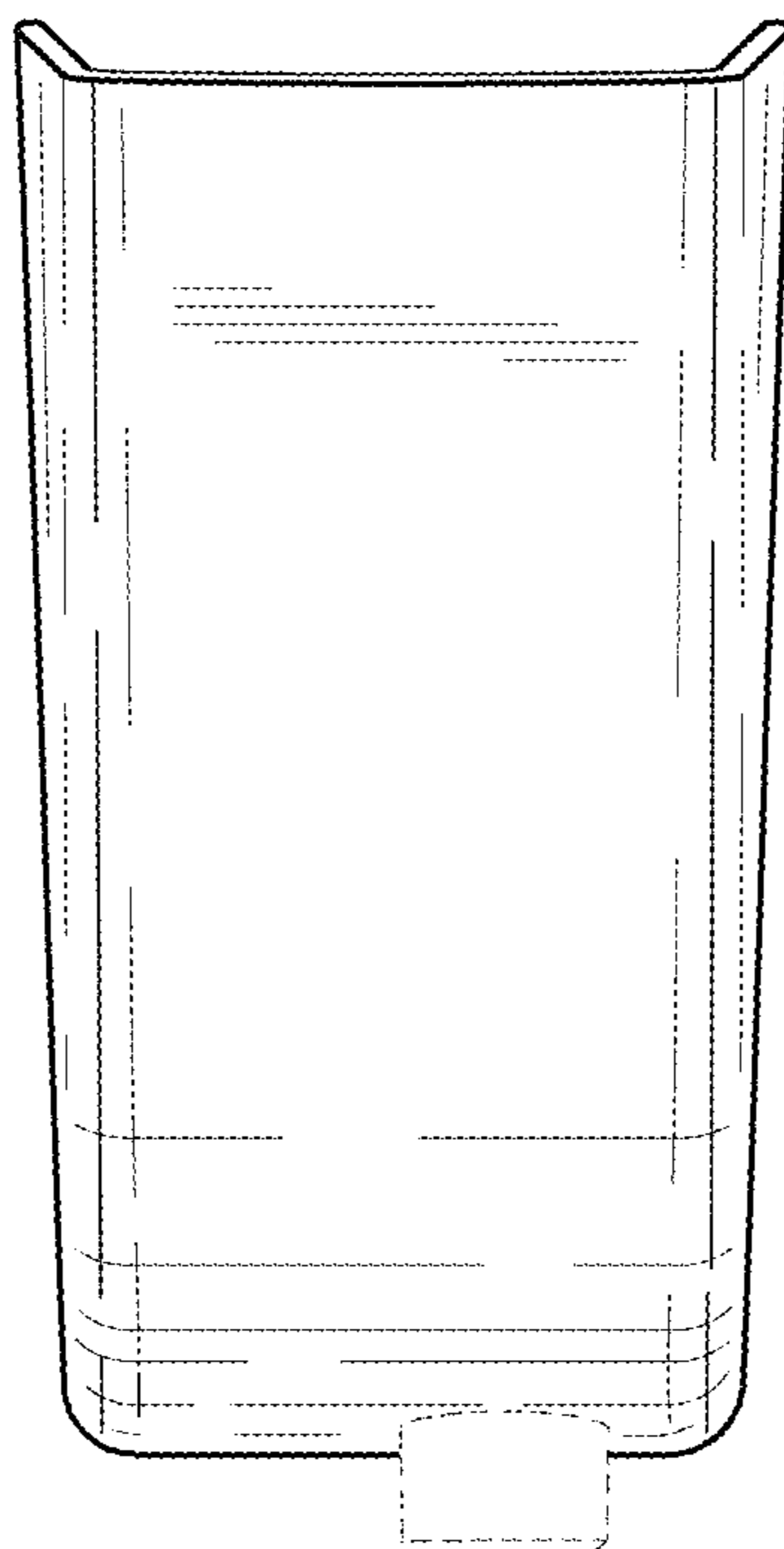


FIG. 6

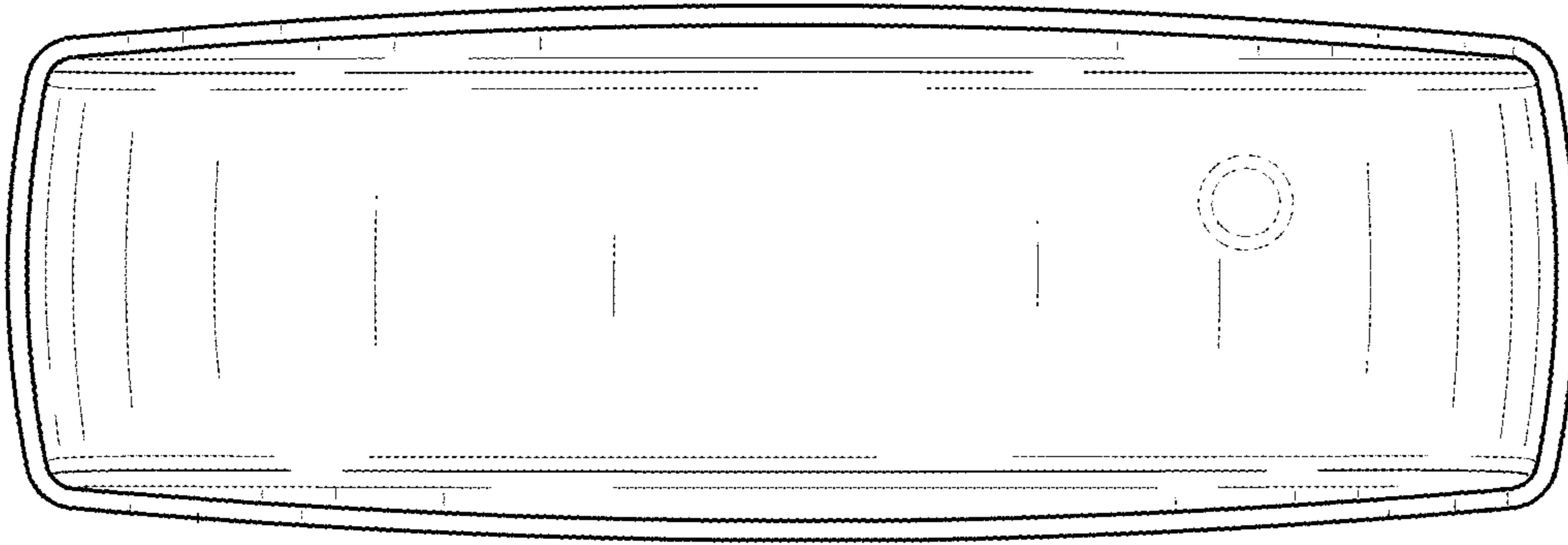


FIG. 7

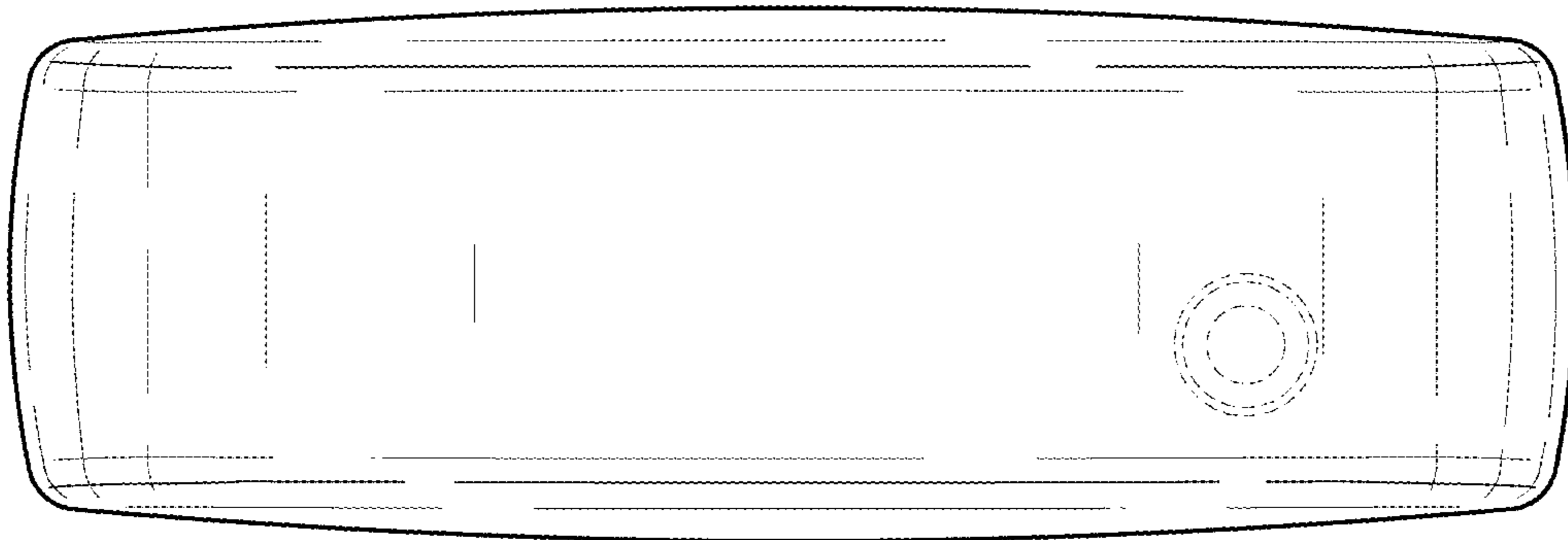


FIG. 8