



US00D802744S

(12) **United States Design Patent** (10) **Patent No.:** **US D802,744 S**  
**Bjelovuk et al.** (45) **Date of Patent:** **\*\* Nov. 14, 2017**

(54) **CANISTER FOR COLLECTING WOUND EXUDATE**

FOREIGN PATENT DOCUMENTS

(71) Applicant: **Smith & Nephew Inc.**, Memphis, TN (US)

CA 2 819 475 6/2012  
DE 1 000 684 1/1957

(Continued)

(72) Inventors: **Brian P. Bjelovuk**, Westerville, OH (US); **William W. Gregory**, Gainesville, FL (US); **Kathryn Ann Leigh**, Saint Petersburg, FL (US); **Andrew P. Muser**, Saint Pete Beach, FL (US); **Billy J. Ratliff**, Commerce Township, MI (US); **Michael T. Roller**, Covington, KY (US); **Robert H. Roth**, Cincinnati, OH (US); **Mark Schaefer**, Largo, FL (US)

OTHER PUBLICATIONS

Huntleigh, *WoundAssist* TNP Canister, 6 page Brochure, Huntleigh Healthcare Limited 2007.

(Continued)

(73) Assignee: **Smith & Nephew Inc.**, Memphis, TN (US)

*Primary Examiner* — Barbara Fox  
*Assistant Examiner* — Lilyana Bekic  
(74) *Attorney, Agent, or Firm* — Knobbe, Martens, Olson & Bear LLP

(\*\*) Term: **15 Years**

(57) **CLAIM**

(21) Appl. No.: **29/574,925**

The ornamental design for a canister for collecting wound exudate, as shown and described.

(22) Filed: **Aug. 19, 2016**

**Related U.S. Application Data**

**DESCRIPTION**

(60) Division of application No. 29/492,728, filed on Jun. 2, 2014, now Pat. No. Des. 764,654, which is a (Continued)

(51) **LOC (10) Cl.** ..... **24-01**

(52) **U.S. Cl.**  
USPC ..... **D24/108**

(58) **Field of Classification Search**  
USPC ..... D24/107, 108, 111, 188, 185  
(Continued)

FIG. 1 is a top, front, and left side perspective view of a canister for collecting wound exudate showing our new design.  
FIG. 2 is a bottom, rear, and right side perspective view thereof.  
FIG. 3 is a top plan view thereof.  
FIG. 4 is a bottom plan view thereof.  
FIG. 5 is a left side view thereof.  
FIG. 6 is a right side view thereof.  
FIG. 7 is a front view thereof; and,  
FIG. 8 is a rear view thereof.

(56) **References Cited**

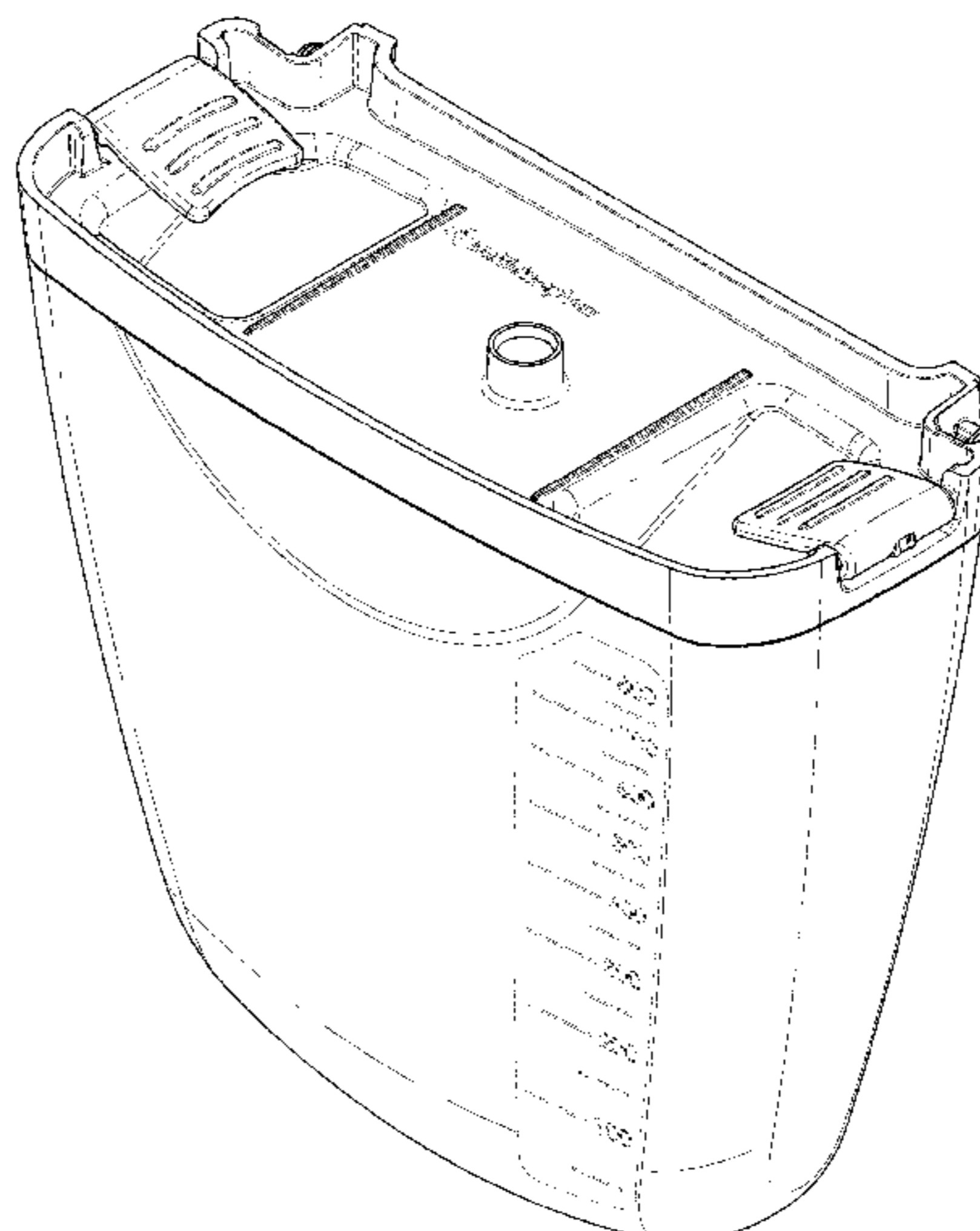
**U.S. PATENT DOCUMENTS**

1,220,957 A 3/1917 Conway  
1,251,404 A 12/1917 Mills

(Continued)

The broken lines illustrate portions of the canister for collecting wound exudate which form no part of the claimed design.

**1 Claim, 6 Drawing Sheets**



**Related U.S. Application Data**

continuation-in-part of application No. PCT/US2014/026692, filed on Mar. 13, 2014.

(58) **Field of Classification Search**

CPC .. A61M 1/0088; A61M 1/0031; A61M 27/00; A61M 1/0023; A61M 1/0001; A61M 1/009; A61M 1/0096; A61M 1/0058; A61M 1/0066; A61M 1/00

See application file for complete search history.

(56)

**References Cited**

U.S. PATENT DOCUMENTS

1,925,694 A 9/1933 Hawkins  
 3,115,138 A 12/1963 McElvenny et al.  
 3,295,576 A 1/1967 Schmitt et al.  
 D207,194 S 3/1967 Artmann  
 D247,068 S 1/1978 Sykes  
 4,116,310 A 9/1978 Shields  
 D250,225 S 11/1978 Sykes  
 4,382,441 A 5/1983 Svedman  
 D273,535 S 4/1984 Weinreb  
 4,569,674 A 2/1986 Phillips  
 4,649,973 A 3/1987 Uchin  
 4,655,754 A 4/1987 Richmond et al.  
 4,710,165 A 12/1987 McNeil et al.  
 4,767,417 A 8/1988 Boehringer  
 4,832,299 A 5/1989 Gorton et al.  
 4,930,997 A 6/1990 Bennett  
 4,969,880 A 11/1990 Zamierowski  
 5,083,700 A 1/1992 Mello et al.  
 D325,126 S 4/1992 Costello  
 5,134,994 A 8/1992 Say  
 5,176,663 A 1/1993 Svedman et al.  
 5,215,523 A 6/1993 Williams et al.  
 5,219,428 A 6/1993 Stern  
 D340,351 S 10/1993 Wrath  
 5,358,494 A 10/1994 Svedman  
 D352,463 S 11/1994 Kubo  
 D352,606 S 11/1994 Cylvick et al.  
 5,466,229 A 11/1995 Elson  
 5,473,536 A 12/1995 Wimmer  
 5,527,293 A 6/1996 Zamierowski  
 5,636,643 A 6/1997 Argenta et al.  
 D380,607 S 7/1997 Leben  
 5,645,081 A 7/1997 Argenta et al.  
 5,687,717 A 11/1997 Halpern et al.  
 D400,249 S 10/1998 Holubar et al.  
 D406,899 S 3/1999 Cottle  
 D408,625 S 4/1999 Barker  
 5,907,721 A 5/1999 Schelling et al.  
 D414,925 S 10/1999 Holland  
 D418,287 S 1/2000 Moor  
 6,010,527 A 1/2000 Augustine et al.  
 D423,102 S 4/2000 Mertenant  
 6,071,267 A 6/2000 Zamierowski  
 D434,150 S 11/2000 Tumey et al.  
 6,142,982 A 11/2000 Hunt et al.  
 D436,443 S 1/2001 Hillman  
 D439,341 S 3/2001 Tumey et al.  
 6,279,804 B1 8/2001 Gregg  
 D447,336 S 9/2001 Bergkvist et al.  
 D449,891 S 10/2001 Moro  
 D456,514 S 4/2002 Brown et al.  
 6,390,345 B1 5/2002 Brown et al.  
 6,398,767 B1 6/2002 Fleischmann  
 6,468,199 B1 10/2002 Satou et al.  
 D469,175 S 1/2003 Hall et al.  
 D469,176 S 1/2003 Hall et al.  
 D471,274 S 3/2003 Diaz et al.  
 D471,361 S 3/2003 Crandall  
 D475,132 S 5/2003 Randolph  
 D477,869 S 7/2003 Vijfvinkel  
 D478,659 S 8/2003 Hall et al.  
 D481,459 S 10/2003 Nahm

6,648,862 B2 11/2003 Watson  
 D486,517 S 2/2004 Hendee  
 6,738,052 B1 5/2004 Manke et al.  
 6,752,794 B2 6/2004 Lockwood et al.  
 6,755,807 B2 6/2004 Risk et al.  
 6,764,462 B2 7/2004 Risk, Jr. et al.  
 6,824,533 B2 11/2004 Risk, Jr. et al.  
 D502,802 S 3/2005 Fair  
 D504,953 S 5/2005 Ryan  
 D505,543 S 5/2005 Miller  
 6,936,037 B2 8/2005 Bubb et al.  
 6,948,614 B1 9/2005 Hall et al.  
 6,957,738 B2 10/2005 Hammond  
 D516,217 S 2/2006 Brown et al.  
 7,004,915 B2 2/2006 Boynton et al.  
 7,022,113 B2 4/2006 Lockwood et al.  
 D522,657 S 6/2006 Murphy et al.  
 7,077,832 B2 7/2006 Fleischmann  
 7,108,683 B2 9/2006 Zamierowski  
 D537,944 S 3/2007 Eda et al.  
 7,195,624 B2 3/2007 Lockwood et al.  
 7,198,046 B1 4/2007 Argenta  
 7,216,651 B2 5/2007 Argenta et al.  
 D543,691 S 6/2007 Payne et al.  
 D544,092 S 6/2007 Lewis  
 D545,055 S 6/2007 Lieberman et al.  
 D546,952 S 7/2007 May  
 D548,347 S 8/2007 Ichino et al.  
 D548,954 S 8/2007 Andersen et al.  
 D551,578 S 9/2007 Kuriger et al.  
 D556,444 S 12/2007 Ipsen et al.  
 7,317,954 B2 1/2008 McGreevy  
 D565,177 S 3/2008 Locke et al.  
 7,438,705 B2 10/2008 Karpowicz et al.  
 D581,042 S 11/2008 Randolph et al.  
 D581,521 S 11/2008 Locke et al.  
 D581,522 S 11/2008 Randolph et al.  
 D585,135 S 1/2009 Mori et al.  
 D585,137 S 1/2009 Onoda et al.  
 D586,466 S 2/2009 Smith et al.  
 D587,364 S 2/2009 Pukall et al.  
 D587,376 S 2/2009 Takano et al.  
 D587,901 S 3/2009 Pidgeon et al.  
 D590,934 S 4/2009 Randolph et al.  
 D591,039 S 4/2009 Wung et al.  
 7,524,315 B2 4/2009 Blott et al.  
 D591,500 S 5/2009 Siegel et al.  
 7,534,240 B1 5/2009 Johnson  
 D593,676 S 6/2009 Locke et al.  
 D594,114 S 6/2009 Locke et al.  
 D601,692 S 10/2009 Tout et al.  
 D602,582 S 10/2009 Pidgeon et al.  
 D602,583 S 10/2009 Pidgeon et al.  
 D602,584 S 10/2009 Pidgeon et al.  
 D607,202 S 1/2010 Pidgeon et al.  
 7,678,090 B2 3/2010 Risk, Jr.  
 7,694,814 B1 4/2010 Cristobal et al.  
 D617,094 S 6/2010 Pidgeon et al.  
 D617,461 S 6/2010 Kaushal et al.  
 D625,801 S 10/2010 Pidgeon et al.  
 D630,313 S 1/2011 Pidgeon et al.  
 D630,725 S 1/2011 Pidgeon et al.  
 D635,588 S 4/2011 Sprules  
 D642,594 S 8/2011 Mattson et al.  
 D644,250 S 8/2011 Barber et al.  
 8,007,481 B2 8/2011 Schuessler et al.  
 D645,137 S 9/2011 Gonzalez  
 8,048,046 B2 11/2011 Hudspeth et al.  
 D650,894 S 12/2011 Gonzalez  
 8,100,873 B2 1/2012 Jaeb et al.  
 D654,095 S 2/2012 Mattson et al.  
 D654,164 S 2/2012 Cole et al.  
 D660,409 S 5/2012 Taggerty et al.  
 D661,188 S 6/2012 Fahy  
 D661,189 S 6/2012 Fahy  
 D661,190 S 6/2012 Fahy  
 8,202,262 B2 6/2012 Lina et al.  
 8,216,198 B2 7/2012 Heagle et al.  
 8,240,470 B2 8/2012 Pidgeon et al.



(56)

References Cited

U.S. PATENT DOCUMENTS

8,287,736 B2 10/2012 Roncadi et al.  
 8,317,752 B2 11/2012 Cozmi et al.  
 D672,141 S 12/2012 Harbinson  
 D675,728 S 2/2013 Tout et al.  
 D681,806 S 5/2013 Kataoka et al.  
 D682,546 S 5/2013 Nicolini  
 D684,365 S 6/2013 Leblanc  
 8,494,349 B2 7/2013 Gordon  
 8,552,880 B2 10/2013 Kopp et al.  
 8,577,692 B2 11/2013 Silkaitis et al.  
 8,801,686 B2 8/2014 Bendele et al.  
 D726,302 S 4/2015 Hanna  
 D750,222 S \* 2/2016 Chang ..... D24/108  
 D764,047 S \* 8/2016 Bjelovuk ..... D24/108  
 D764,653 S \* 8/2016 Bjelovuk ..... D24/108  
 D764,654 S \* 8/2016 Bjelovuk ..... D24/108  
 D765,830 S \* 9/2016 Bjelovuk ..... D24/108  
 2002/0198503 A1 12/2002 Risk, Jr. et al.  
 2003/0050594 A1 3/2003 Zamierowski  
 2005/0177190 A1 8/2005 Zamierowski  
 2005/0247732 A1 11/2005 Ouke  
 2006/0289329 A1 12/2006 Miller  
 2007/0038172 A1 2/2007 Zamierowski  
 2007/0131573 A1 6/2007 Boyles  
 2007/0193902 A1 8/2007 Myers et al.  
 2007/0250009 A1 10/2007 Barak  
 2007/0260226 A1 11/2007 Jaeb et al.  
 2008/0033400 A1 2/2008 Holper et al.  
 2008/0071234 A1 3/2008 Kelch et al.  
 2008/0200905 A1 8/2008 Heaton  
 2008/0272254 A1 11/2008 Harr et al.  
 2009/0012482 A1 1/2009 Pinto  
 2009/0043268 A1 2/2009 Eddy et al.  
 2009/0076467 A1 3/2009 Pinto  
 2009/0125055 A1 5/2009 Larkin et al.  
 2009/0221990 A1 9/2009 Jaeb et al.  
 2009/0254066 A1 10/2009 Heaton  
 2009/0270820 A1 10/2009 Johnson  
 2009/0299306 A1 12/2009 Buan  
 2010/0022990 A1 1/2010 Karpowicz et al.  
 2010/0036333 A1 2/2010 Schenk, III et al.  
 2010/0187065 A1 7/2010 Pidgeon et al.  
 2010/0191199 A1 7/2010 Evans et al.  
 2010/0207768 A1 8/2010 Pidgeon et al.  
 2010/0286638 A1 11/2010 Malhi  
 2011/0038741 A1 2/2011 Lissner et al.  
 2011/0066110 A1 3/2011 Fathallah et al.  
 2011/0077605 A1 3/2011 Karpowicz et al.  
 2011/0190703 A1 8/2011 Pratt et al.  
 2011/0290979 A1 12/2011 Henault et al.  
 2012/0123323 A1 5/2012 Kagan et al.  
 2012/0181405 A1 7/2012 Zlatic et al.  
 2012/0271256 A1 10/2012 Locke et al.  
 2012/0302979 A1 11/2012 Locke et al.  
 2013/0066301 A1 3/2013 Locke et al.  
 2013/0110058 A1 5/2013 Adie et al.  
 2013/0310809 A1 11/2013 Armstrong et al.

2014/0309600 A1 10/2014 Aceto et al.  
 2015/0190288 A1 7/2015 Dunn et al.  
 2016/0287765 A1\* 10/2016 Canner ..... A61M 1/0088

FOREIGN PATENT DOCUMENTS

DE 20301859 6/2003  
 DE 10 2010 036405 1/2012  
 EP 0 777 504 B1 10/1998  
 EP 2 319 476 5/2011  
 EP 1 565 219 B1 2/2014  
 GB 2 037 150 7/1980  
 GB 1 575 266 9/1980  
 GB 2 195 255 4/1988  
 GB 2 307 180 5/1997  
 WO WO 90/11795 10/1990  
 WO WO 91/00718 1/1991  
 WO WO 92/20299 11/1992  
 WO WO 96/05873 2/1996  
 WO WO 03/074106 9/2003  
 WO WO 2004/037334 5/2004  
 WO WO 2005/006975 1/2005  
 WO WO 2005/105180 1/2005  
 WO WO 2007/013064 2/2007  
 WO WO 2007/024230 3/2007  
 WO WO 2007/030599 3/2007  
 WO WO 2008/036344 3/2008  
 WO WO 2009/151645 12/2009  
 WO WO 2010/017484 2/2010  
 WO WO 2010/039481 4/2010  
 WO WO 2013/126049 8/2013  
 WO WO 2014/151930 9/2014  
 WO WO 2015/091070 6/2015

OTHER PUBLICATIONS

International Search Report and Written Opinion for International Application No. PCT/US2014/026692, Notification dated Mar. 2, 2015.  
 Medela: Invia Motion, Negative Pressure Wound Therapy System, Clinical Instructions for Use, 76 pages. Medela AB/200.4168/2012-11/A.  
 Molnlycke IFU Solo Pump—Patient Instructions for Use, issued 2013-05/200.6006/A, 448096 rev 04. 121 pages.  
 Specification and drawings as filed in U.S. Appl. No. 29/492,114 on May 28, 2014.  
 Specification and drawings as filed in U.S. Appl. No. 29/492,116 on May 28, 2014.  
 Specification and drawings as filed in U.S. Appl. No. 29/492,121 on May 28, 2014.  
 Specification and drawings as filed in U.S. Appl. No. 29/492,724 on Jun. 2, 2014.  
 Specification and drawings as filed in U.S. Appl. No. 29/492,728 on Jun. 2, 2014.  
 Specification and drawings as filed in U.S. Appl. No. 29/492,729 on Jun. 2, 2014.  
 International Preliminary Report on Patentability, re PCT Application No. PCT/US2014/026692, dated Sep. 24, 2015.

\* cited by examiner

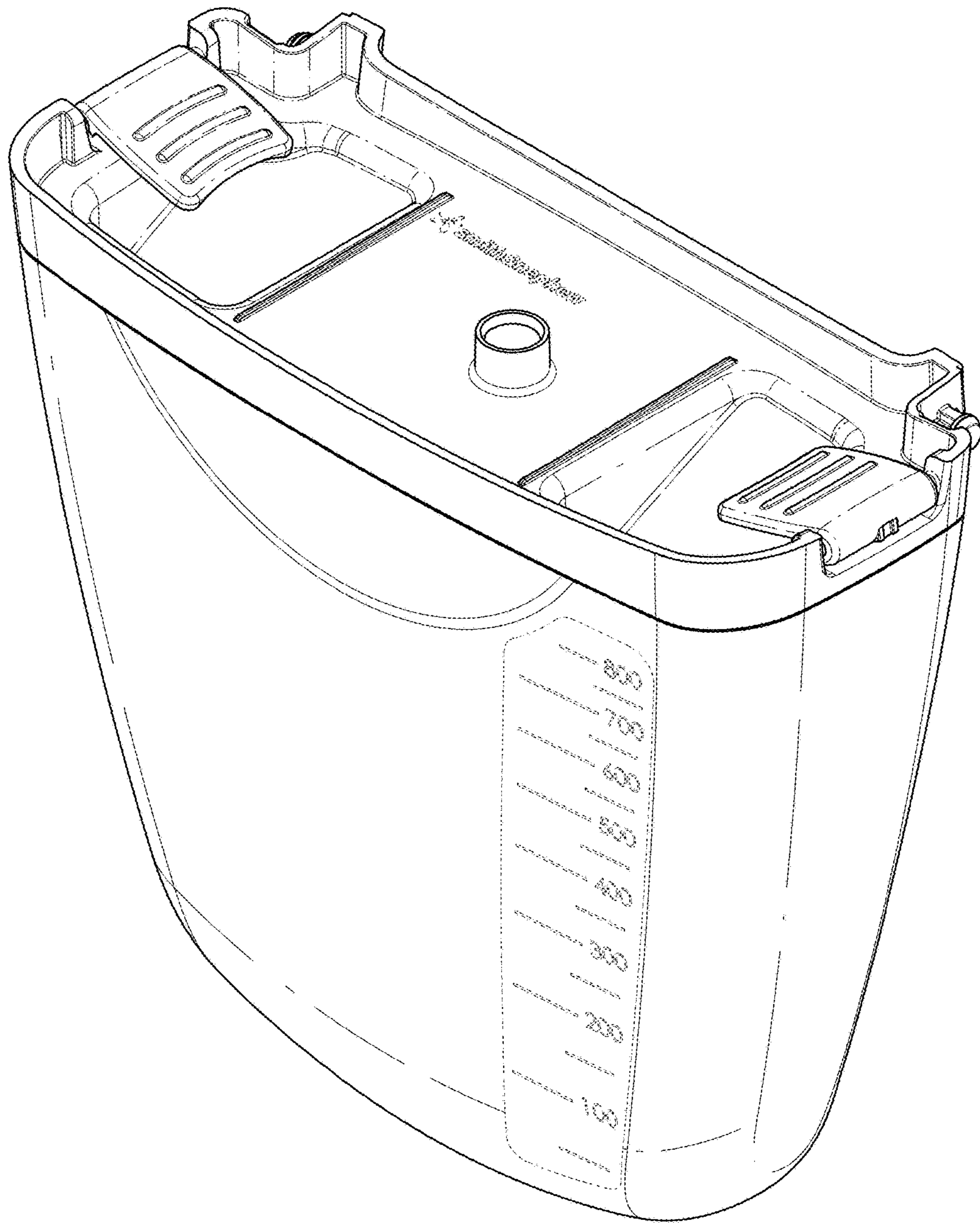


FIG. 1

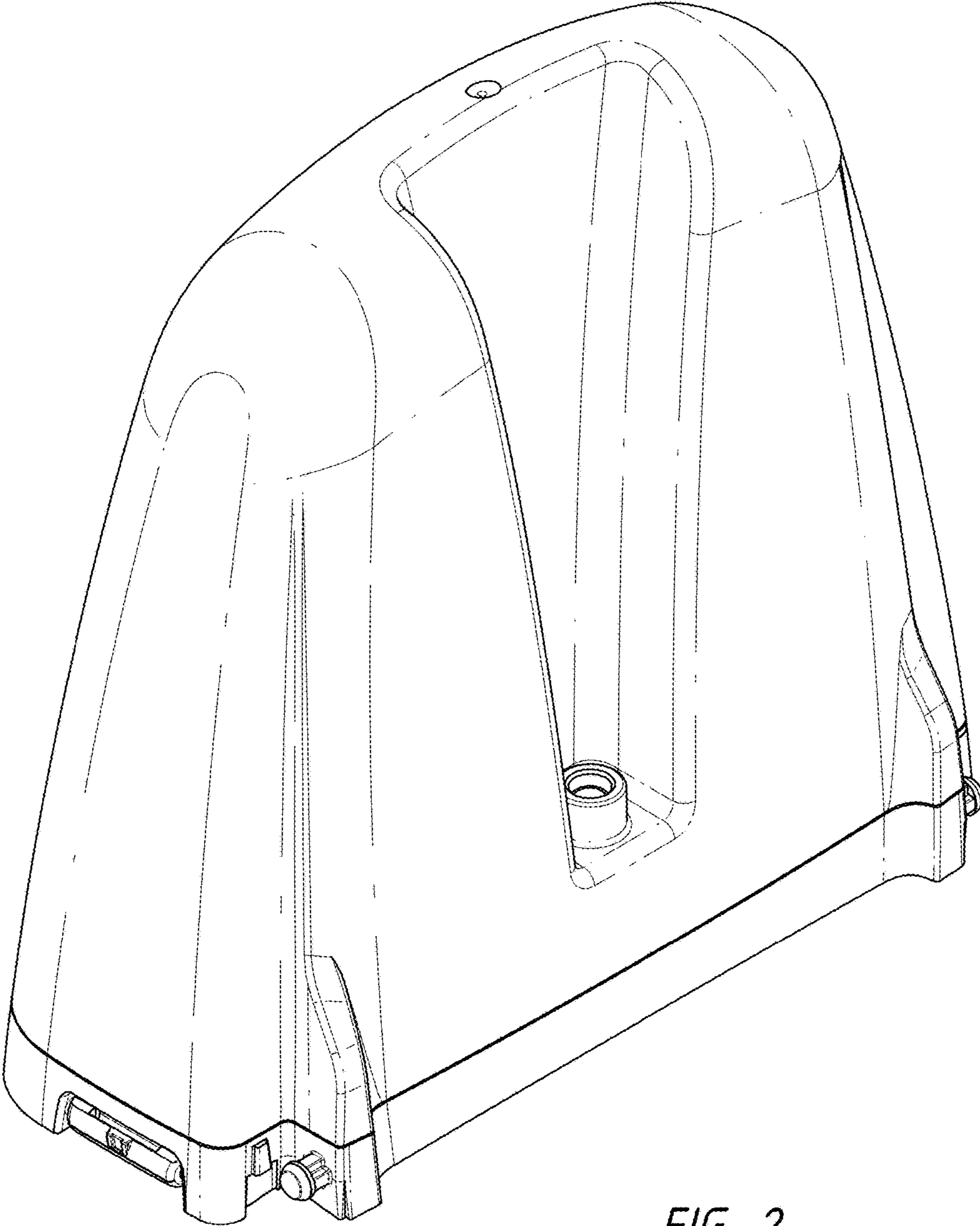


FIG. 2



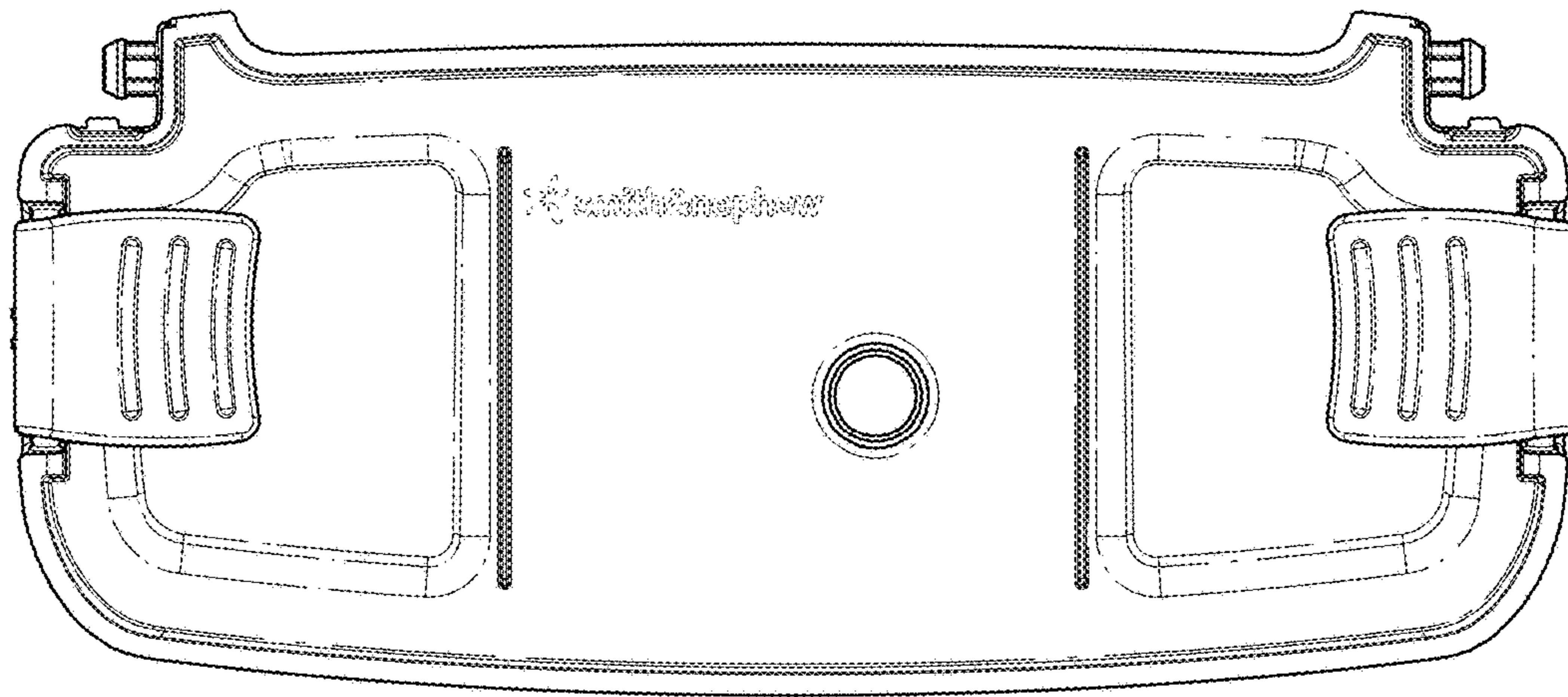


FIG. 3

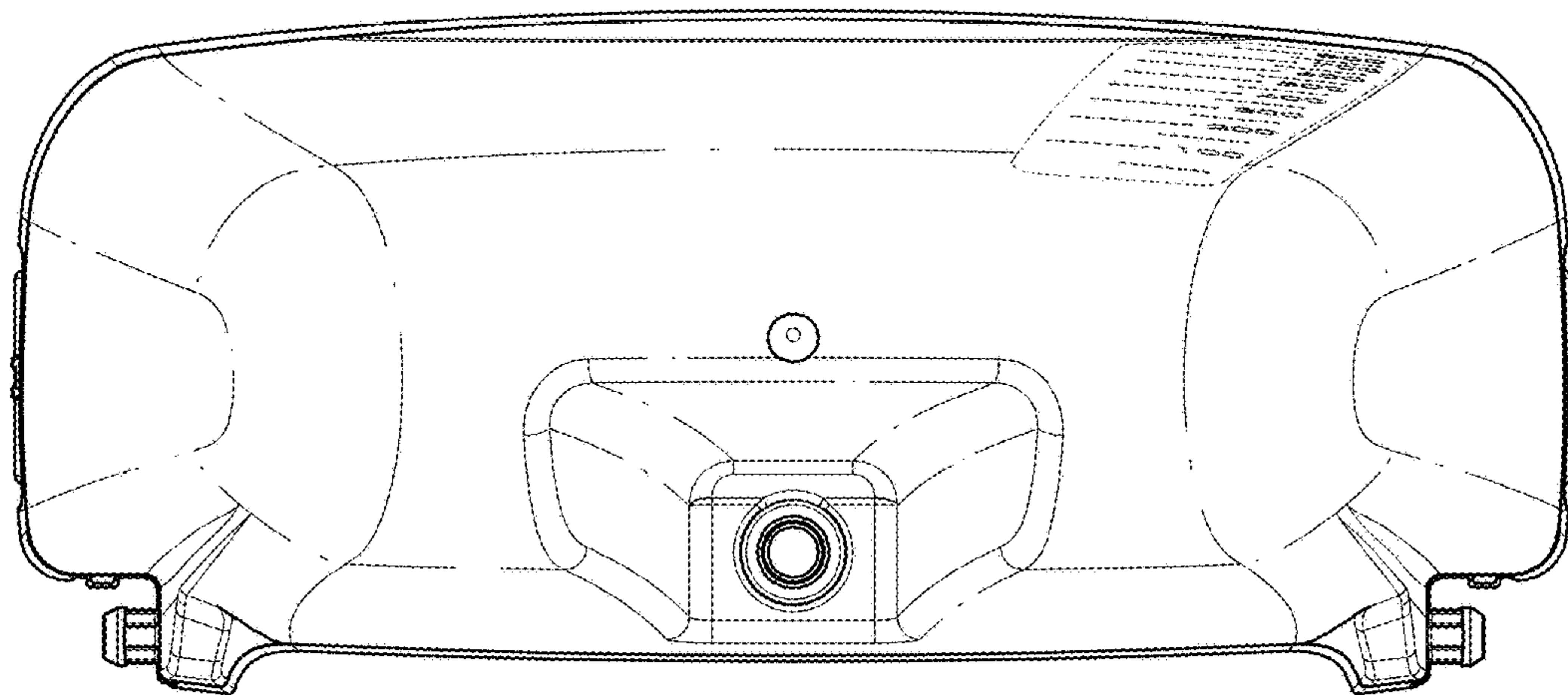


FIG. 4

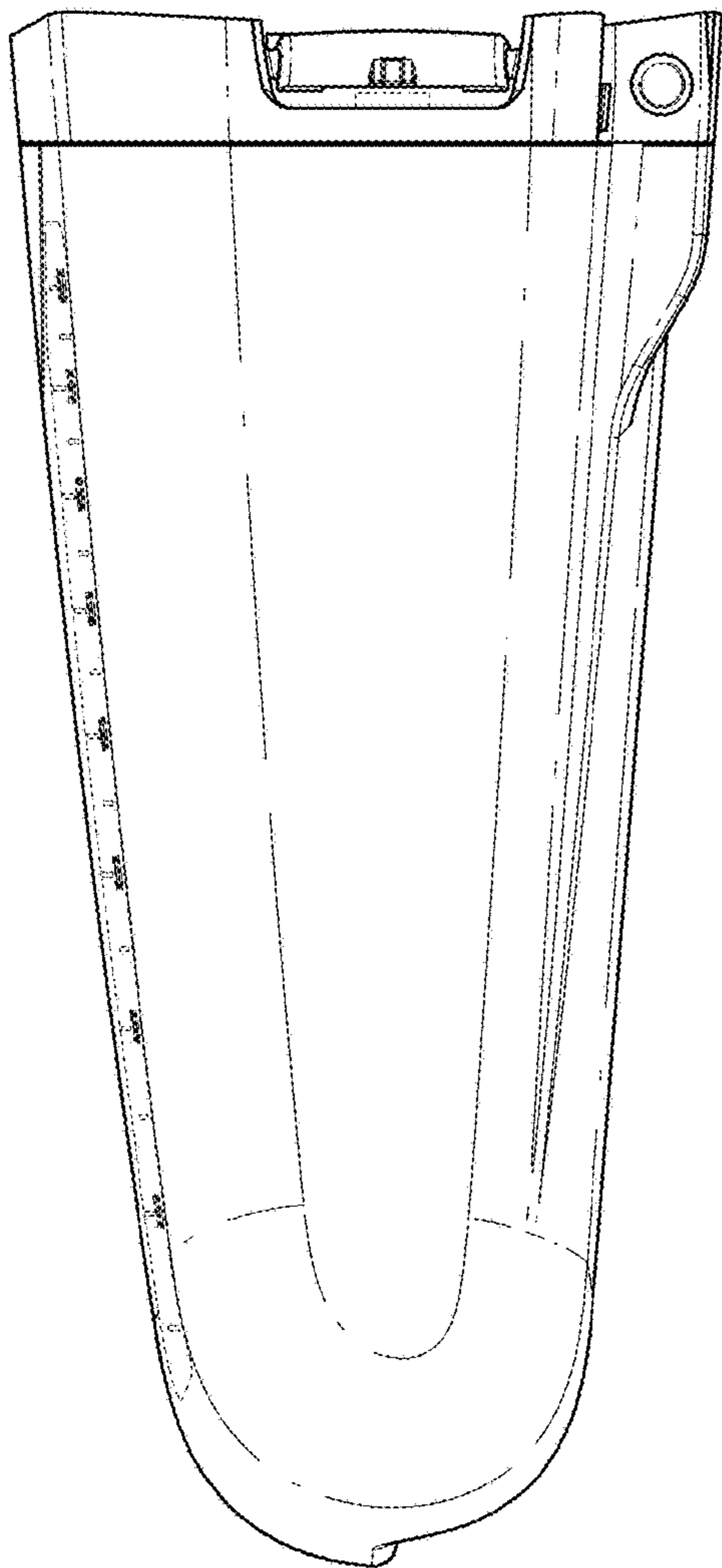


FIG. 5

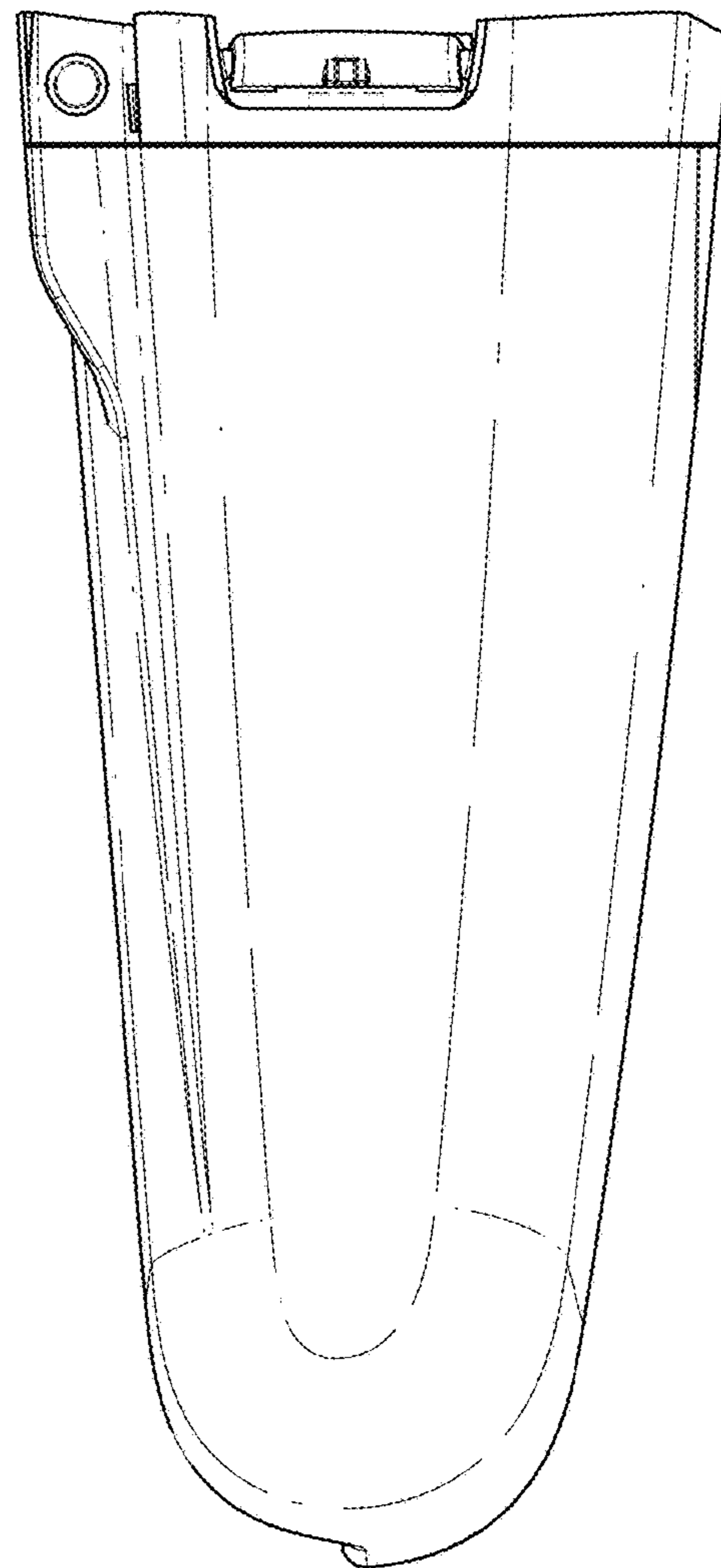


FIG. 6

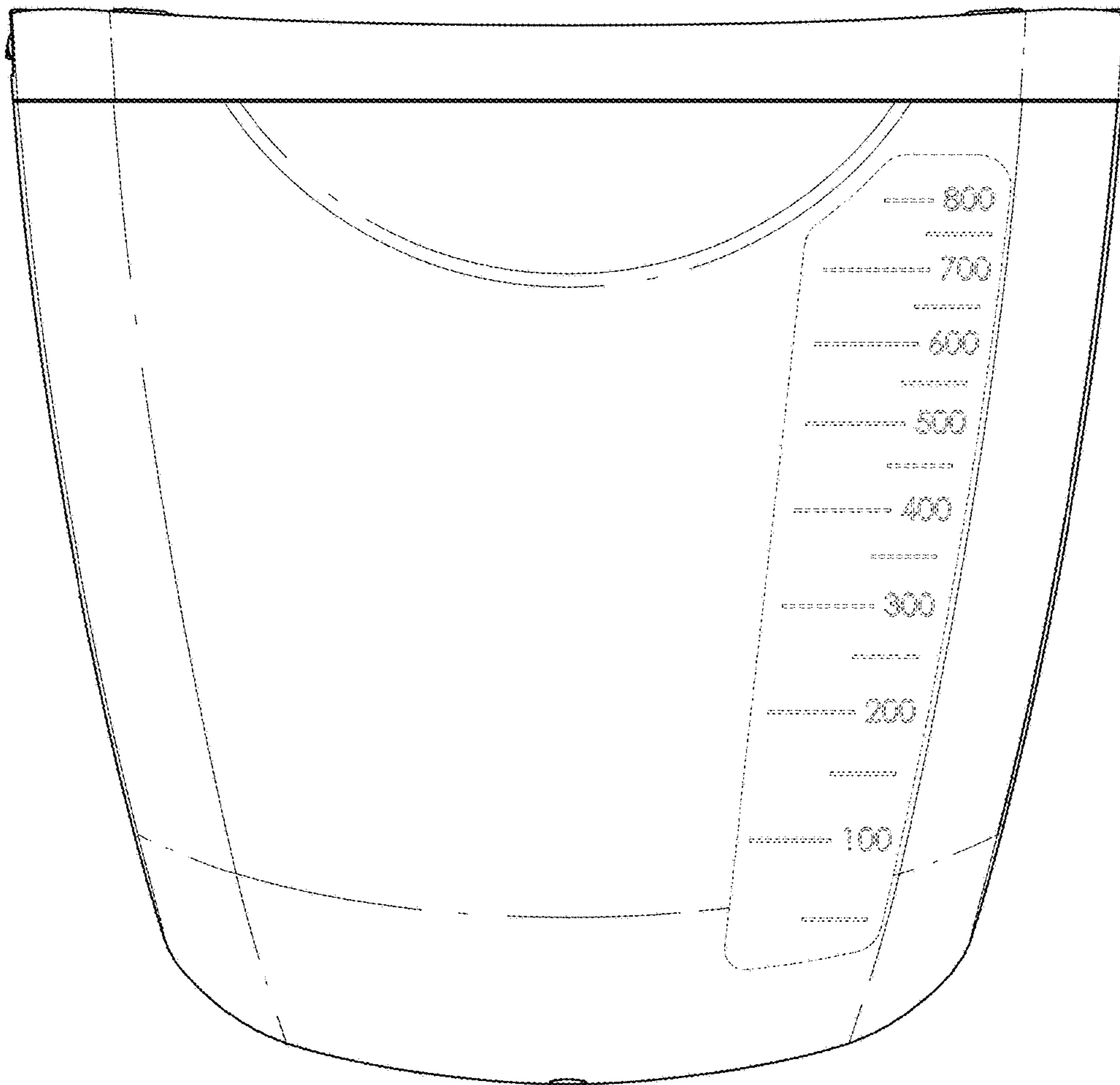


FIG. 7



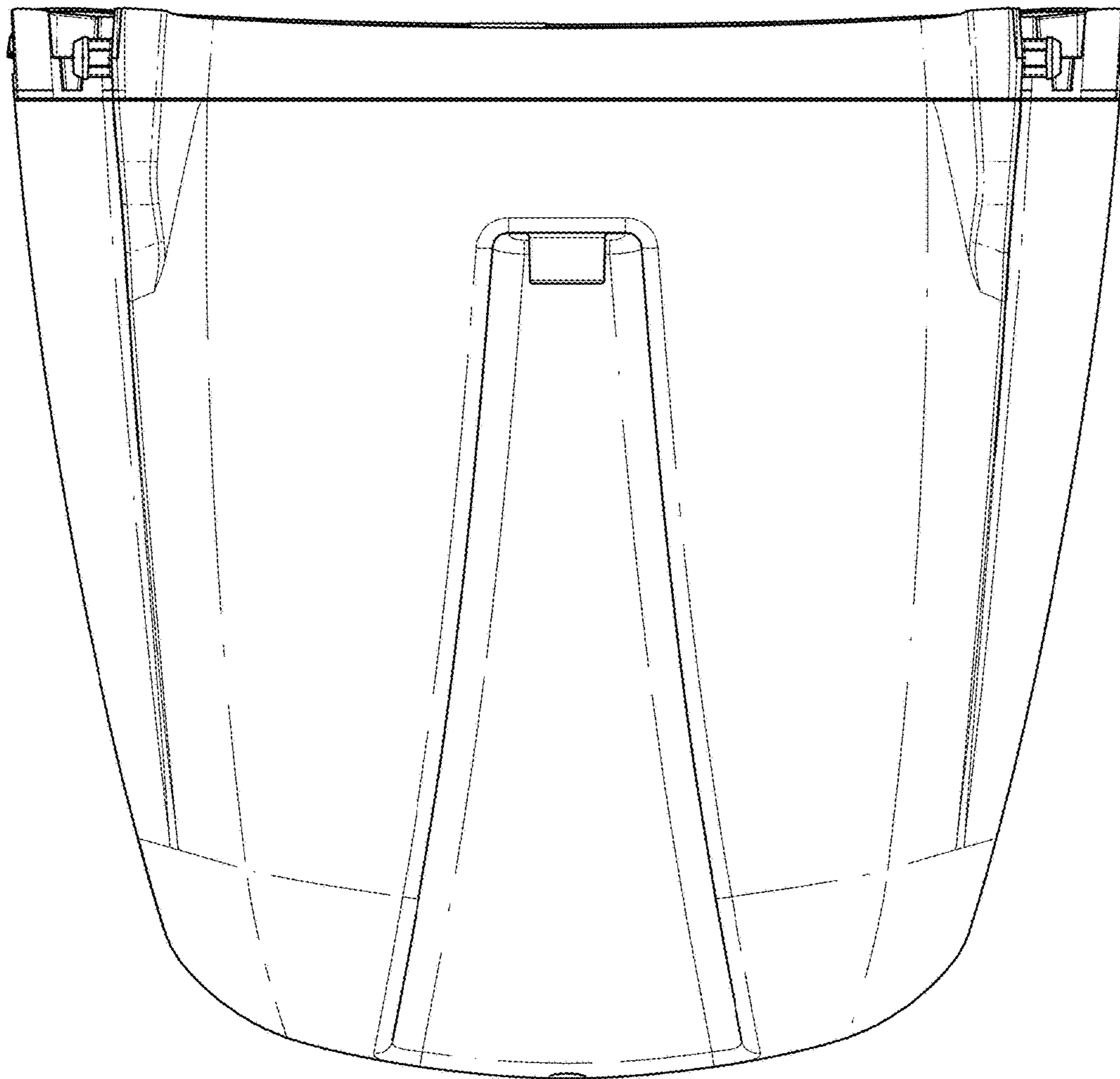


FIG. 8