



US00D802742S

(12) **United States Design Patent**  
**Sun**

(10) **Patent No.:** **US D802,742 S**

(45) **Date of Patent:** **\*\* Nov. 14, 2017**

(54) **FAN BLADE ASSEMBLY FOR A HAIR DRYER**

(71) Applicant: **Ningbo Jinlei Electric Appliance Co., Ltd.**, Zhejiang Province (CN)

(72) Inventor: **Guochun Sun**, Cixi (CN)

(73) Assignee: **Ningbo Jinlei Electric Appliance Co., Ltd.**, Zhejiang Province (CN)

(\*\*) Term: **15 Years**

(21) Appl. No.: **29/571,300**

(22) Filed: **Jul. 16, 2016**

(51) **LOC (10) Cl.** ..... **23-04**

(52) **U.S. Cl.**  
USPC ..... **D23/414; D23/370**

(58) **Field of Classification Search**  
USPC ..... D23/370, 377, 379, 381, 382, 385, 411,  
D23/413, 414, 332, 328; D26/59;  
D28/12-15  
CPC ..... F04D 25/08; F04D 29/388; F04D 29/34;  
F04D 25/088; H02K 1/187  
See application file for complete search history.

(56) **References Cited**

**U.S. PATENT DOCUMENTS**

2,662,686	A *	12/1953	Wuerfel	.....	F04D 29/281	416/185
D221,382	S *	8/1971	Bubb et al.	.....	D23/414	
D227,012	S *	5/1973	Ranz et al.	.....	D23/414	
D530,006	S *	10/2006	Li	.....	D23/414	

D561,323	S *	2/2008	Shirahama	.....	D23/370	
D561,324	S *	2/2008	Shirahama	.....	D23/370	
D561,325	S *	2/2008	Shirahama	.....	D23/370	
D701,597	S *	3/2014	DeFilippis	.....	D23/370	
2006/0034694	A1 *	2/2006	Li	.....	F04D 29/282	416/175
2012/0189451	A1 *	7/2012	Innocenti	.....	B60K 11/02	416/189

\* cited by examiner

*Primary Examiner* — Janice Hallmark

(74) *Attorney, Agent, or Firm* — Richard M. Goldberg

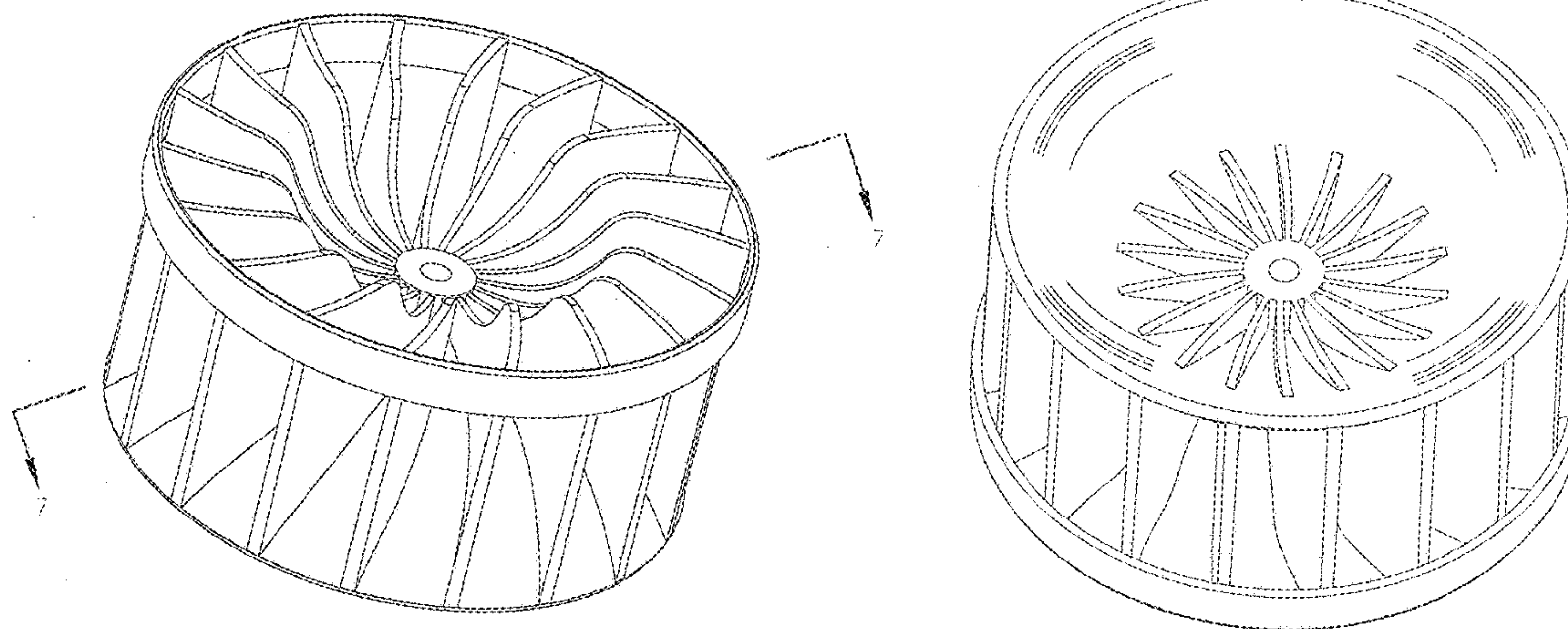
(57) **CLAIM**

The ornamental design for a fan blade assembly for a hair dryer, as shown and described.

**DESCRIPTION**

FIG. 1 is a top perspective view of the fan blade assembly for a hair dryer of my design;  
 FIG. 2 is a bottom perspective view thereof;  
 FIG. 3 is a top plan view thereof;  
 FIG. 4 is a bottom plan view thereof;  
 FIG. 5 is a front elevational view thereof, with the rear elevational view being a mirror image thereof;  
 FIG. 6 is a left side elevational view thereof, with the right side elevational view being a mirror image thereof;  
 FIG. 7 is a cross-sectional view thereof, taken in the direction of line 7-7 in FIG. 1; and,  
 FIG. 8 is a cross-sectional view thereof, taken in the direction of line 8-8 in FIG. 3.  
 The broken lines in the drawings depict parts of the fan blade assembly for a hair dryer that form no part of the claimed design.

**1 Claim, 8 Drawing Sheets**



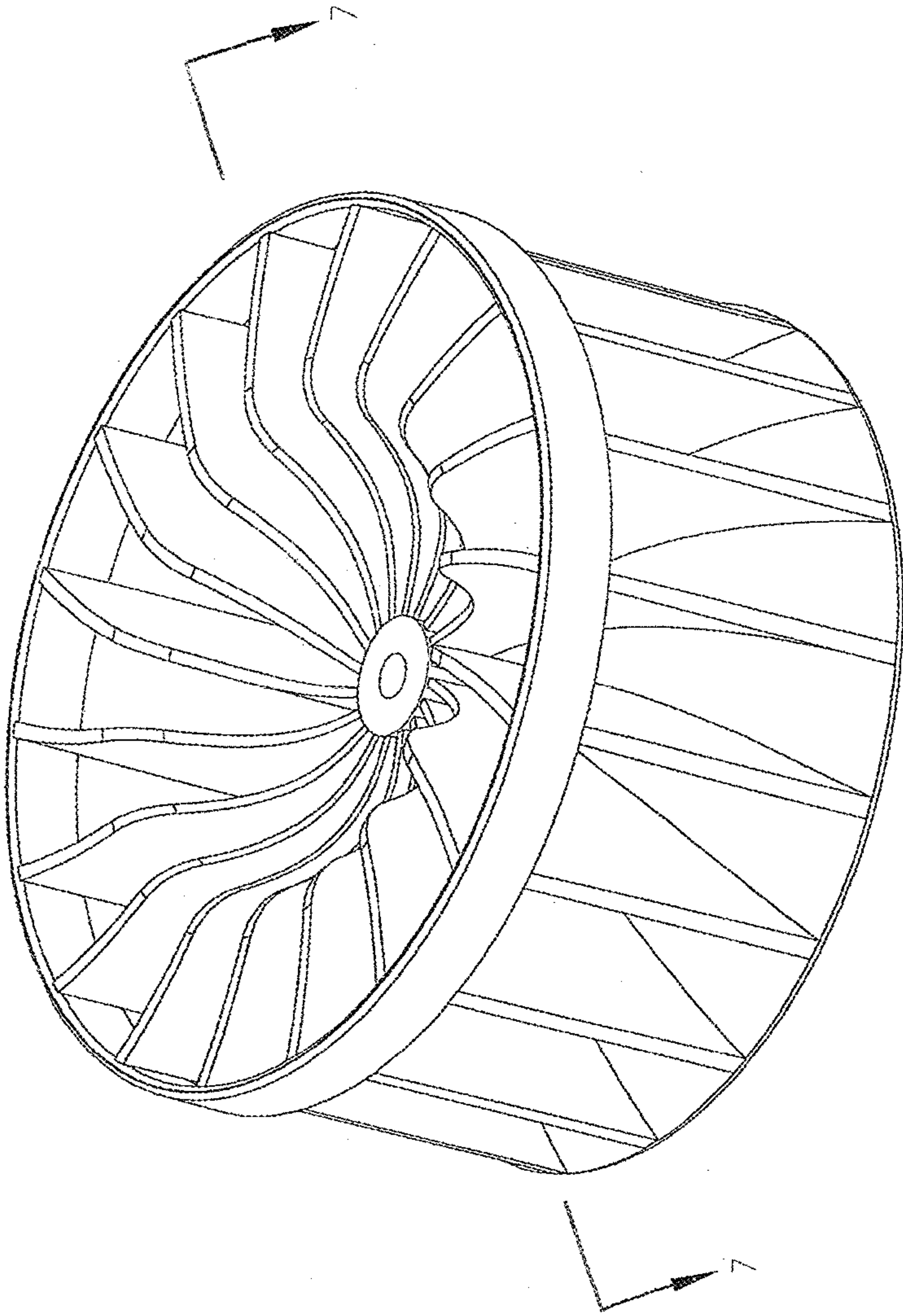


FIG.1

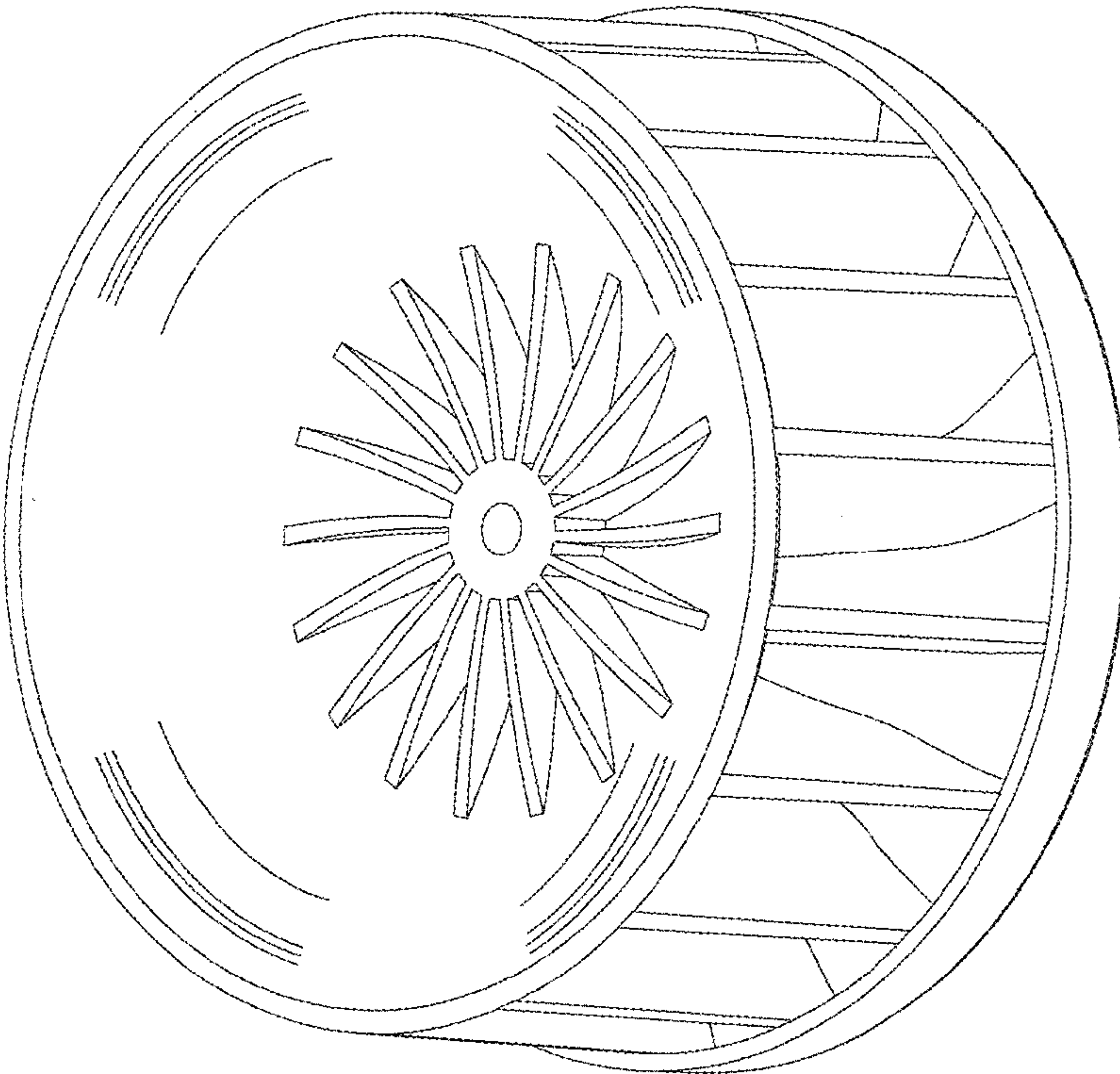


FIG.2



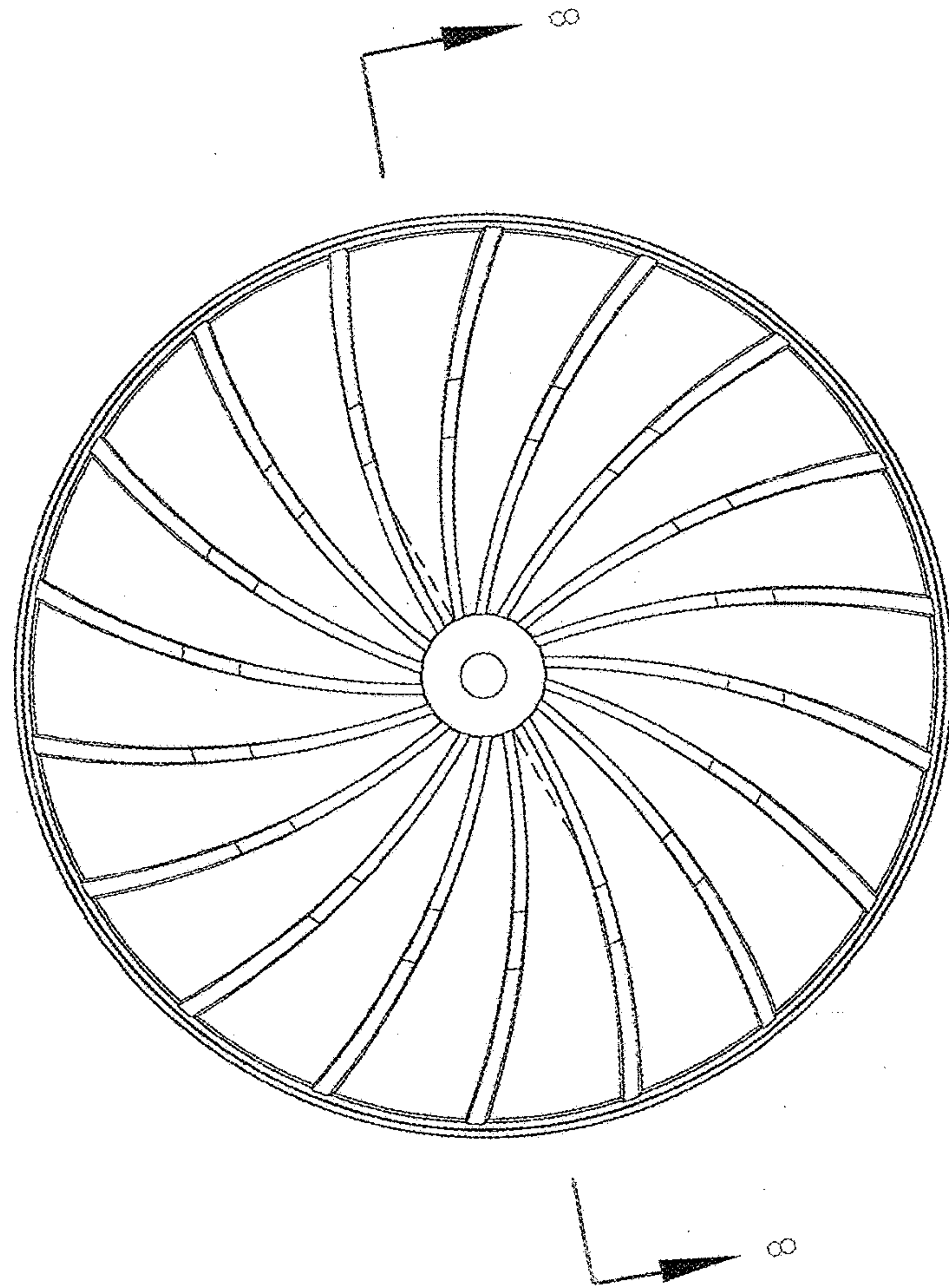


FIG. 3

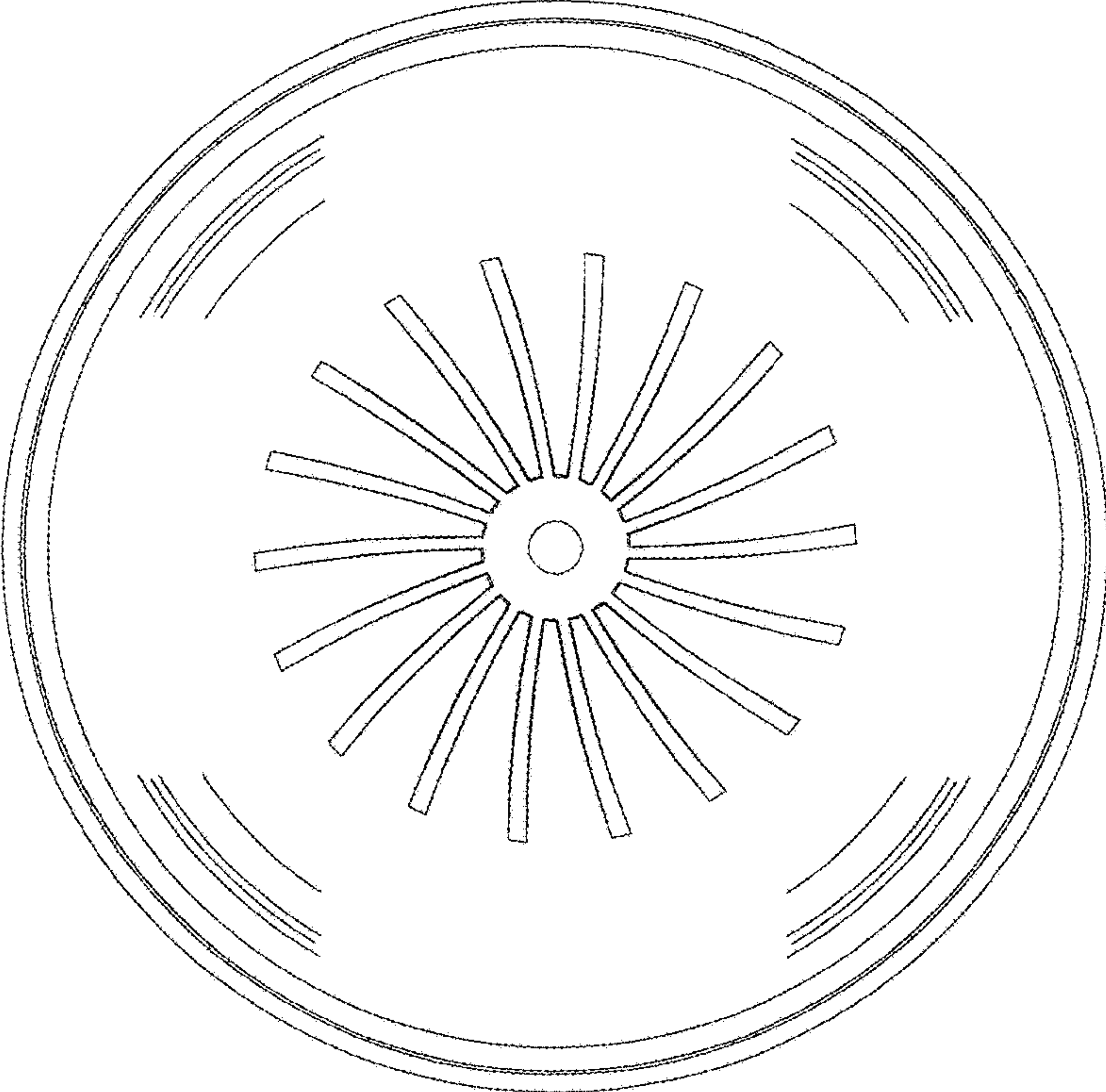


FIG.4

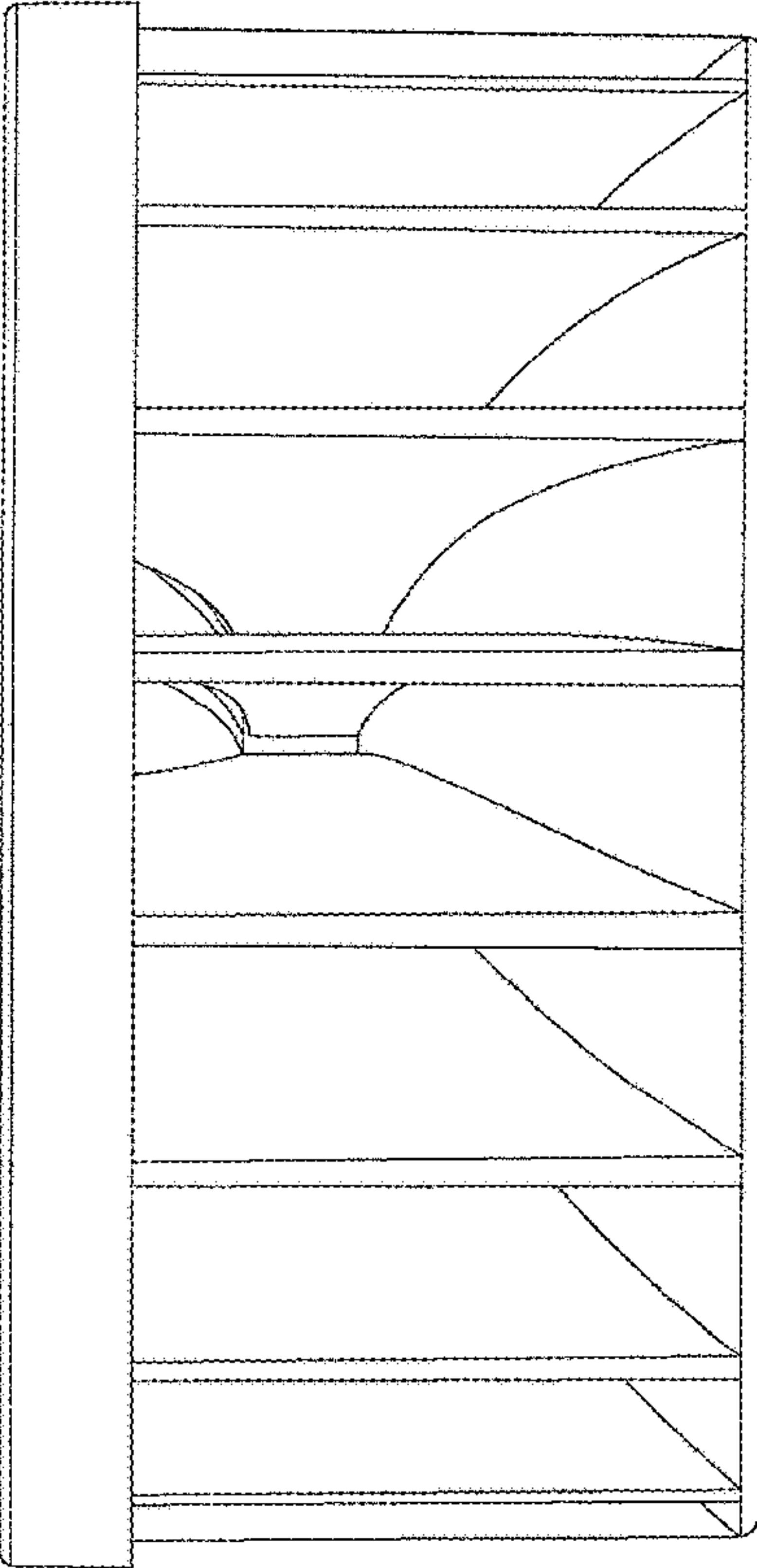


FIG. 5

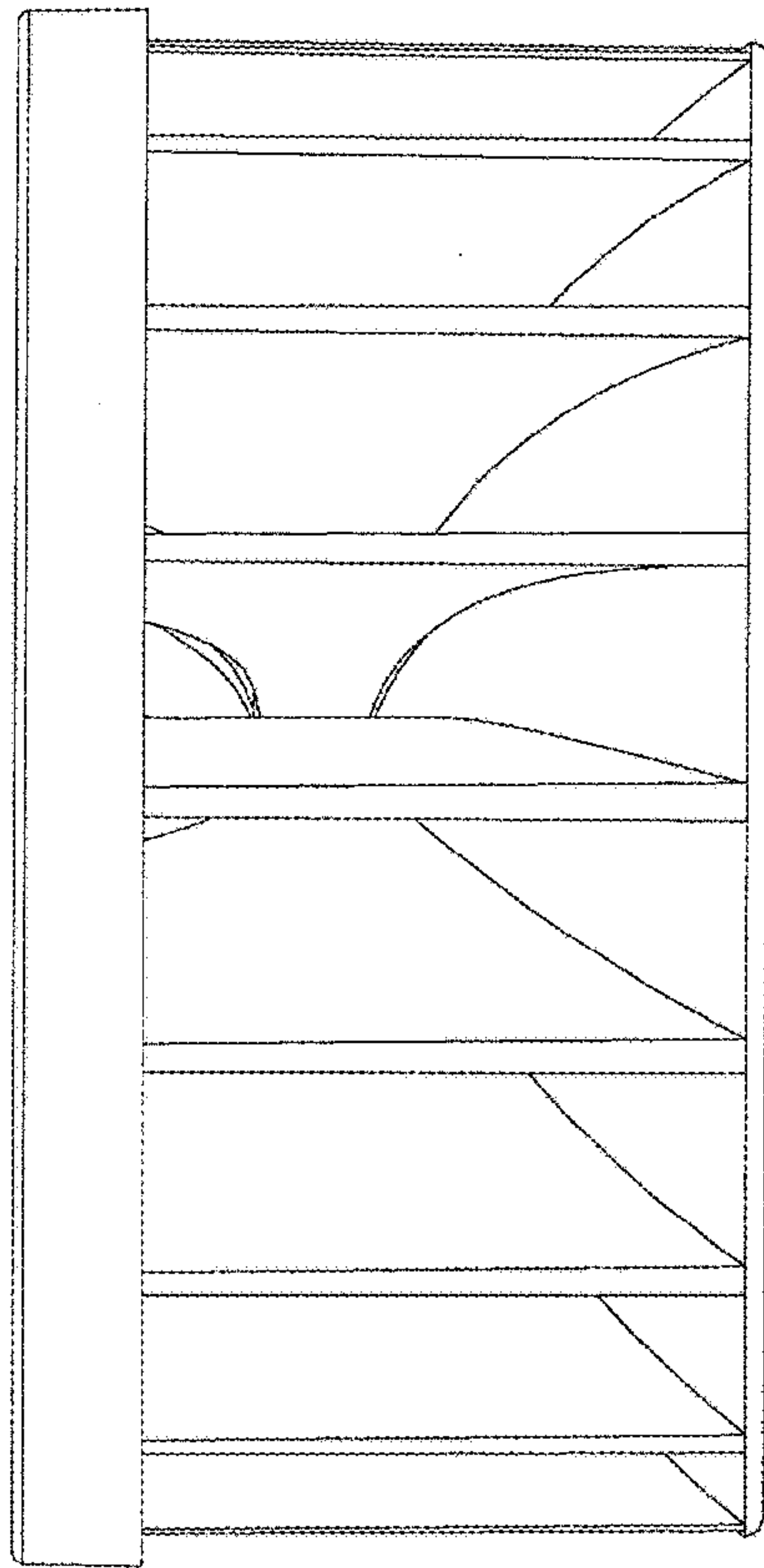


FIG.6

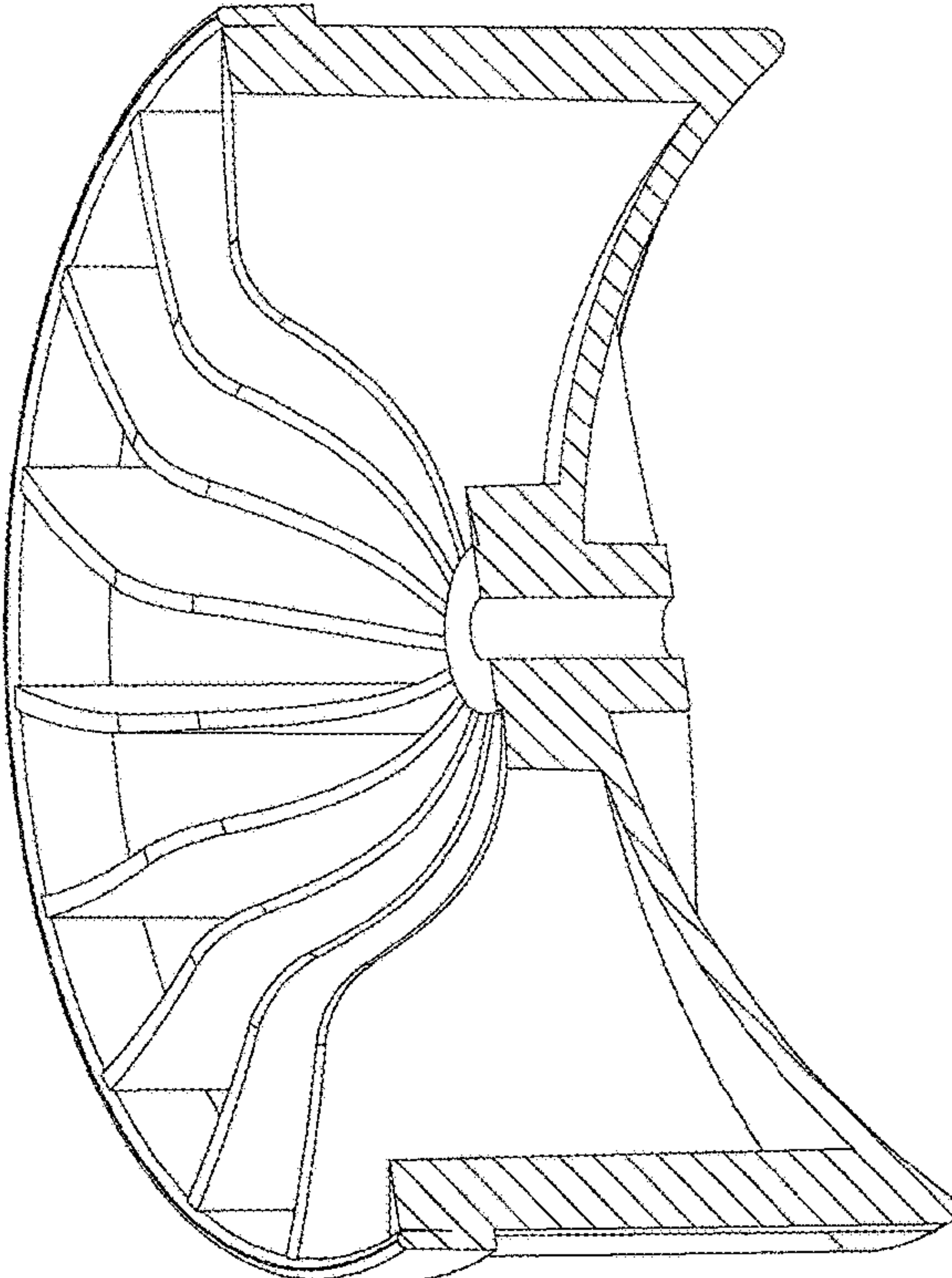


FIG. 7



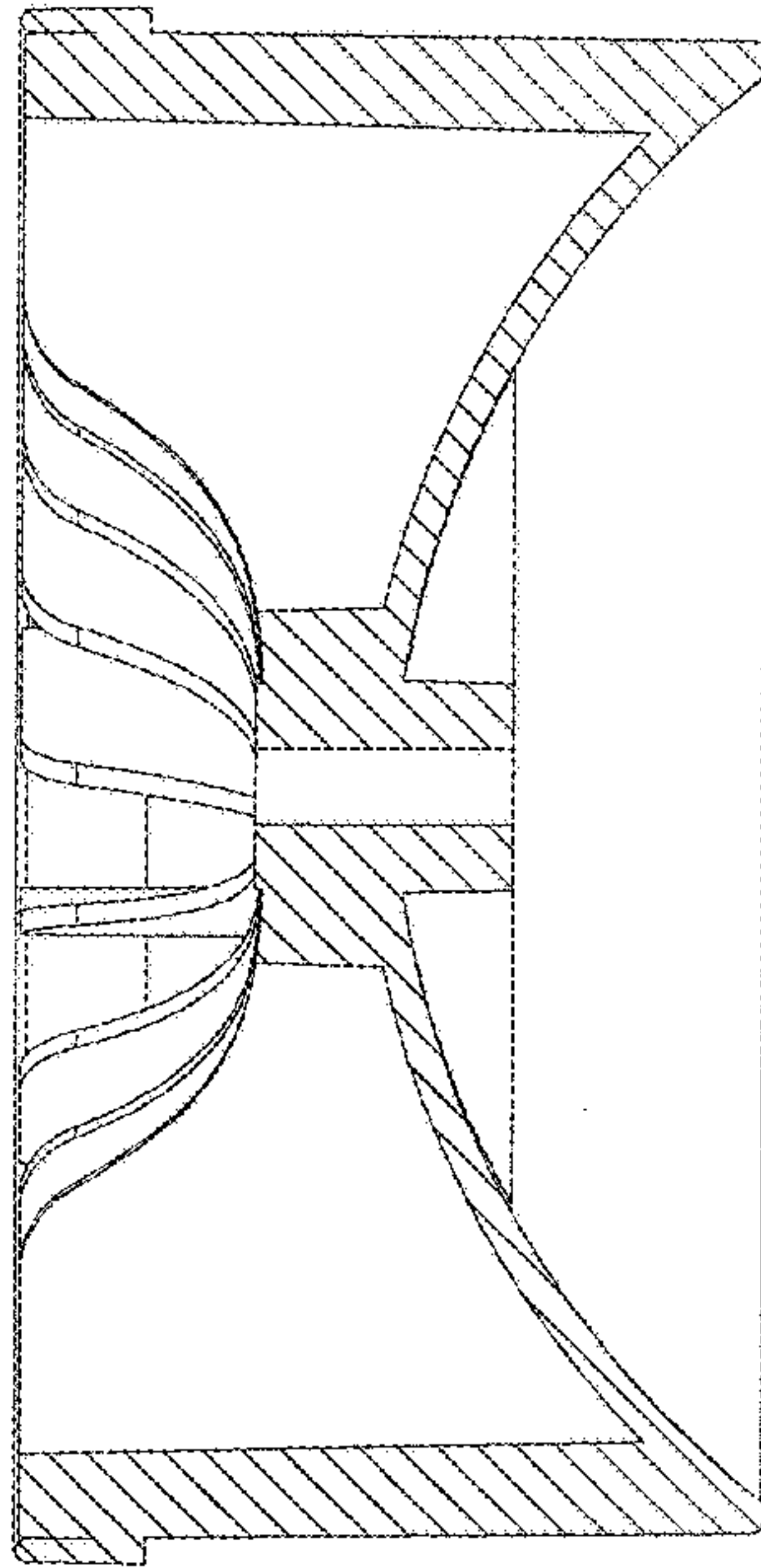


FIG. 8