

US00D802739S

(12) **United States Design Patent**
Kim et al.

(10) **Patent No.:** **US D802,739 S**

(45) **Date of Patent:** **** Nov. 14, 2017**

(54) **HUMIDIFYING FAN**

CPC F04D 25/00; F04D 25/10; F04D 25/08;
F04D 25/105; F04D 25/166; F04D 17/04

(71) Applicant: **LG ELECTRONICS INC.**, Seoul
(KR)

See application file for complete search history.

(72) Inventors: **Seongmin Kim**, Seoul (KR); **Sehwan Bae**, Seoul (KR)

(56) **References Cited**

U.S. PATENT DOCUMENTS

(73) Assignee: **LG ELECTRONICS INC.**, Seoul
(KR)

D552,227 S * 10/2007 Bucher D23/378
D683,010 S * 5/2013 Chen D23/370
D683,011 S * 5/2013 Chen D23/370

(**) Term: **15 Years**

* cited by examiner

(21) Appl. No.: **35/501,541**

Primary Examiner — Michael A Pratt

(22) Filed: **Mar. 11, 2016**

(74) *Attorney, Agent, or Firm* — Birch, Stewart, Kolasch & Birch, LLP

(80) **Hague Agreement Data**

Int. Filing Date: **Mar. 11, 2016**
Int. Reg. No.: **DM/089920**
Int. Reg. Date: **Mar. 11, 2016**
Int. Reg. Pub. Date: **Sep. 16, 2016**

(57) **CLAIM**

The ornamental design for a humidifying fan, as shown and described.

DESCRIPTION

(30) **Foreign Application Priority Data**

Dec. 11, 2015 (KR) 30-2015-0063490

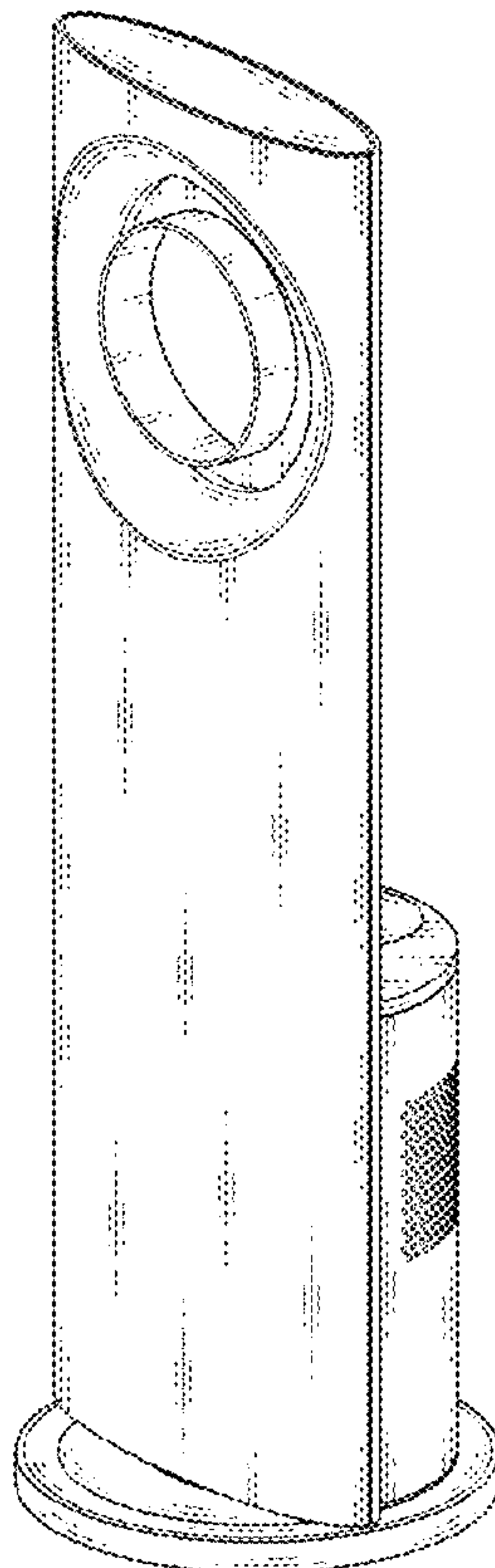
(51) **LOC (10) Cl.** **23-04**

(52) **U.S. Cl.**
USPC **D23/378**

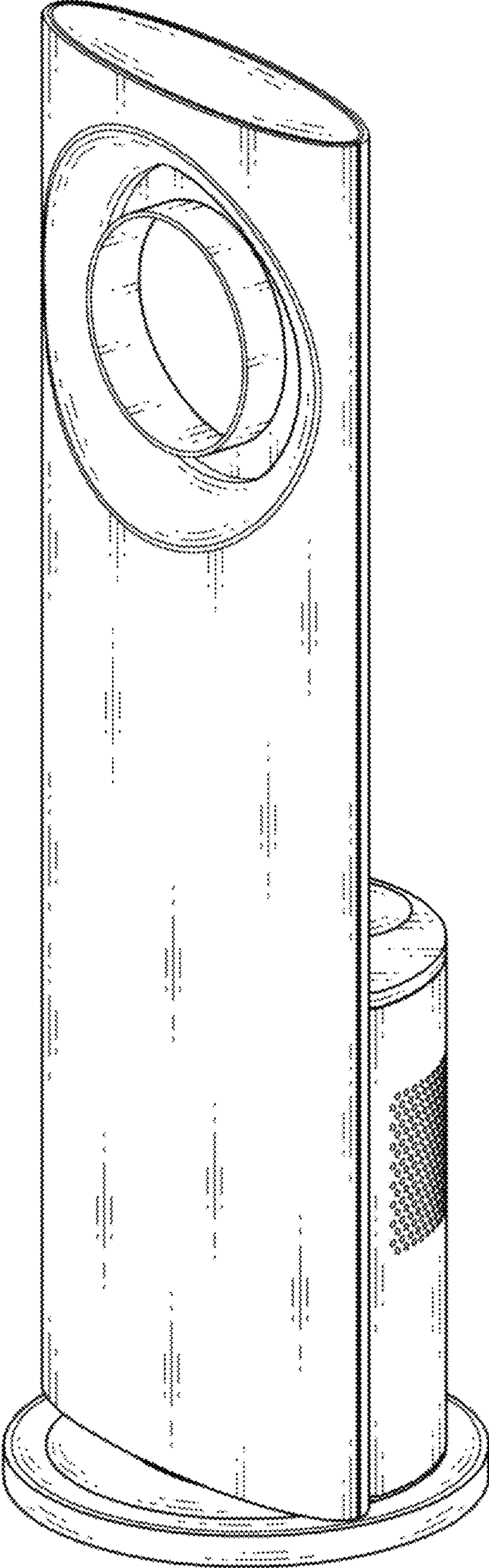
(58) **Field of Classification Search**
USPC D23/378, 379, 380, 381, 382, 383

- 1. Humidifying fan
- 1.1 is a perspective view
- 1.2 is a front side view
- 1.3 is rear side view
- 1.4 is a left view
- 1.5 is a right view
- 1.6 is a top view
- 1.7 is a bottom view

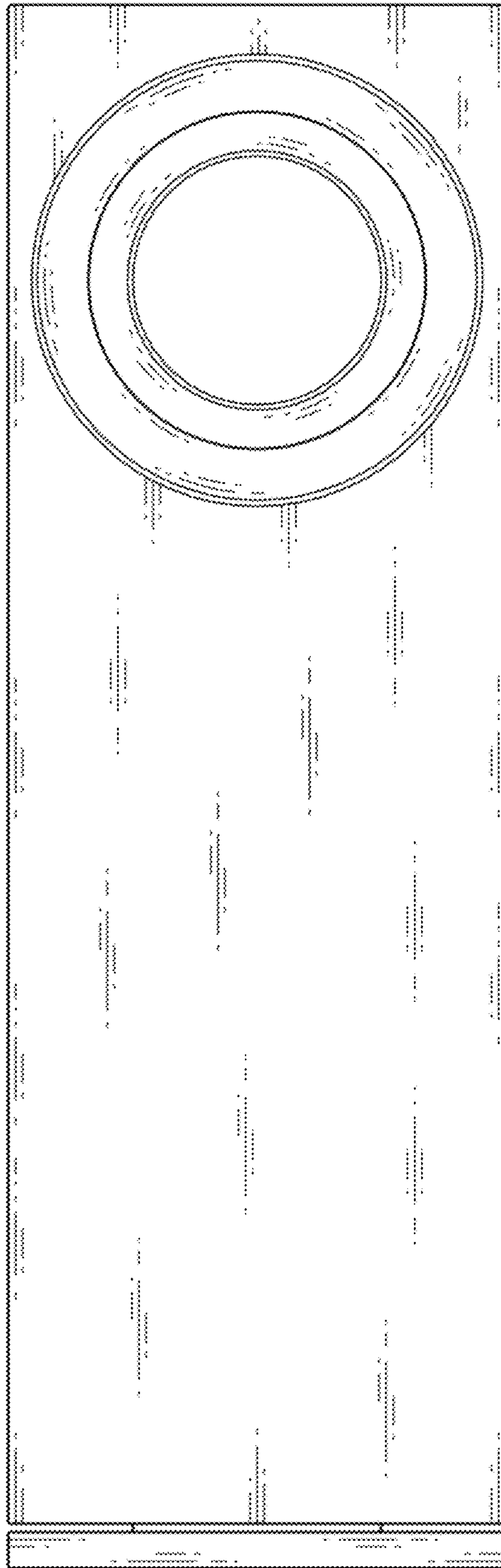
1 Claim, 7 Drawing Sheets



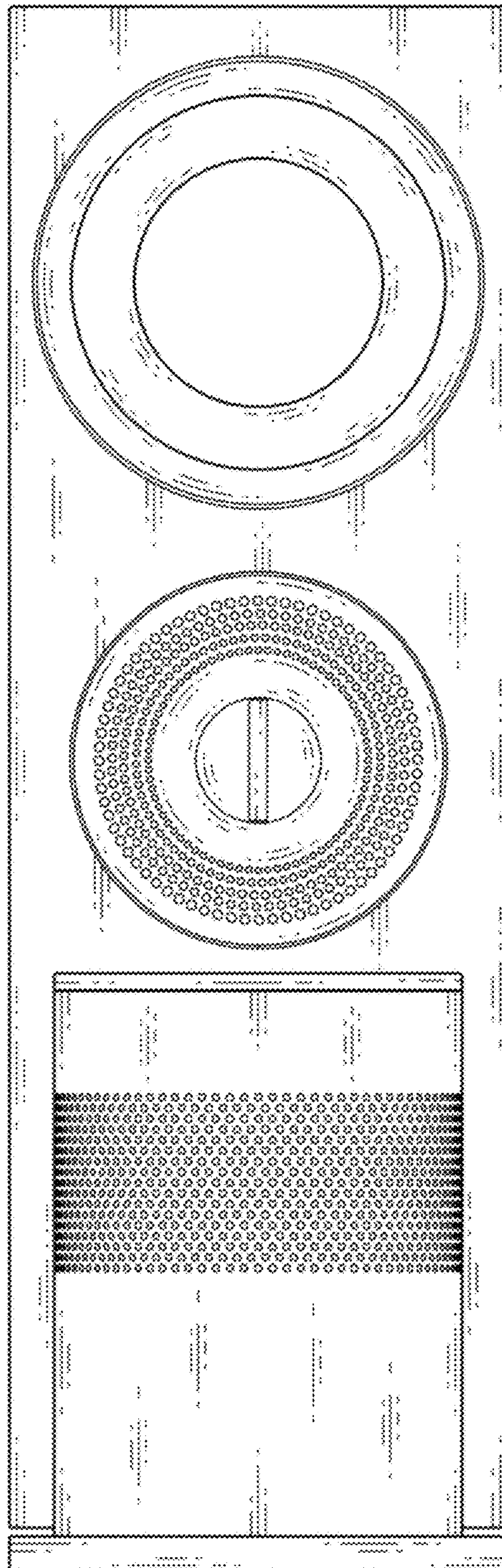
1.1



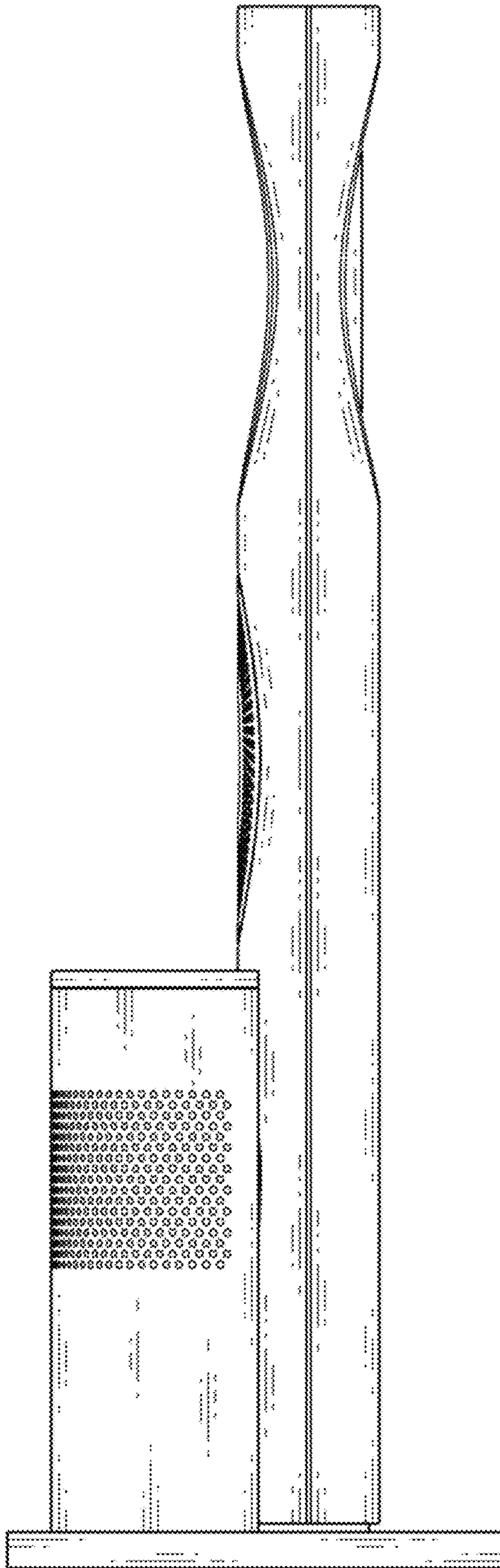
1.2



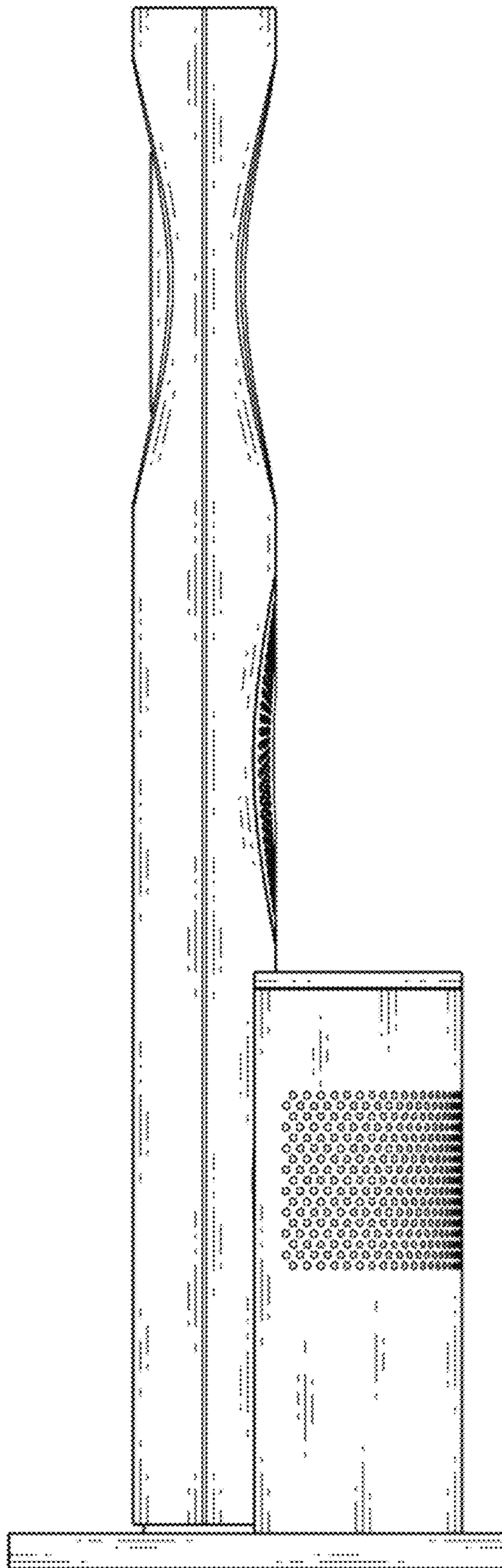
1.3



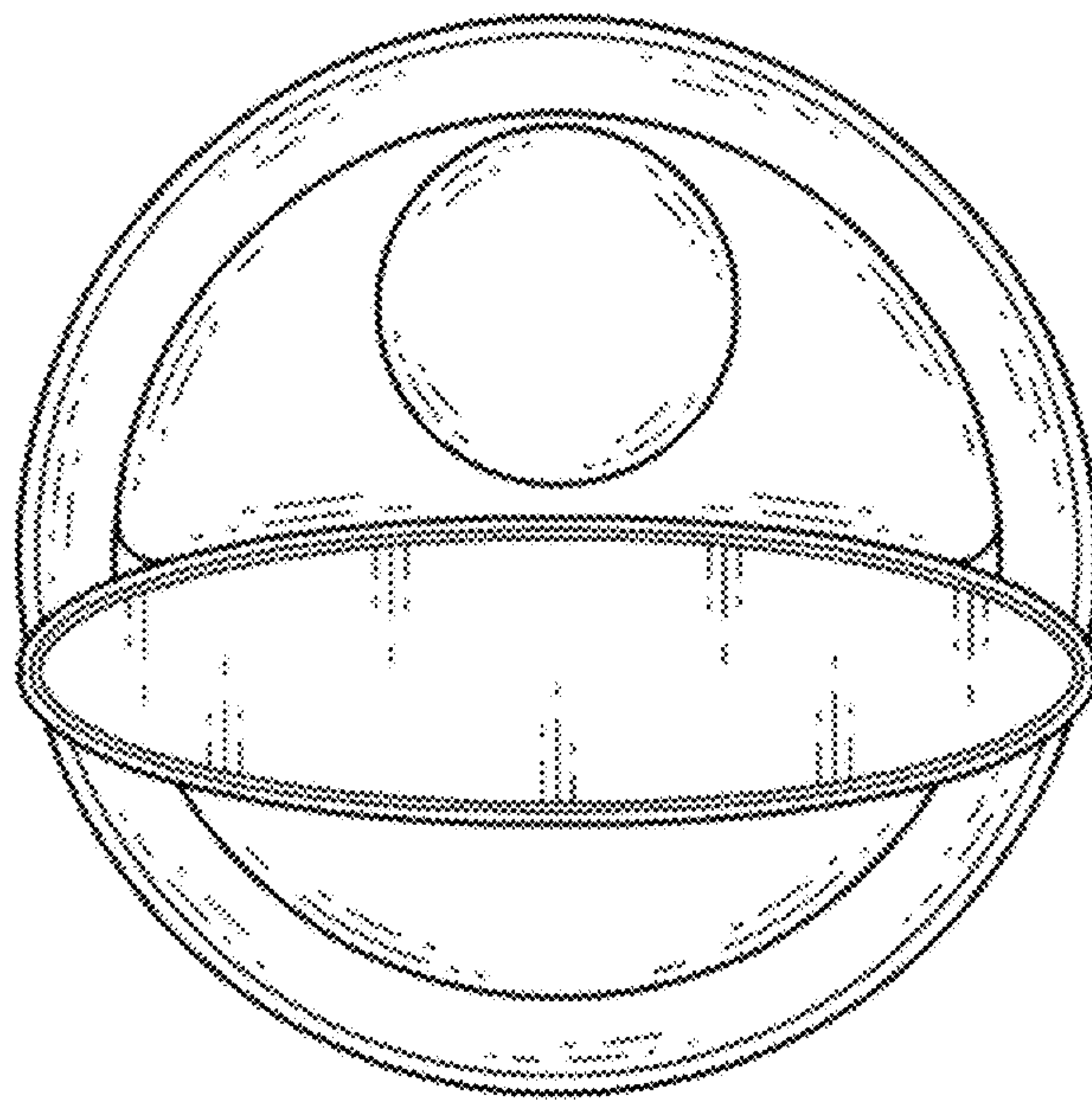
1.4



1.5



1.6



1.7

