



US00D802737S

(12) **United States Design Patent**
Kim et al.

(10) **Patent No.:** **US D802,737 S**

(45) **Date of Patent:** **** Nov. 14, 2017**

(54) **FAN**

(56)

References Cited

(71) Applicant: **LG ELECTRONICS INC.**, Seoul (KR)

U.S. PATENT DOCUMENTS

(72) Inventors: **Seongmin Kim**, Seoul (KR); **Sehwan Bae**, Seoul (KR)

D311,772 S *	10/1990	Yang	D23/378
D484,965 S *	1/2004	Wong	D23/378
D514,688 S *	2/2006	Avedon	D23/379
D680,211 S *	4/2013	Birdsell	D23/378
D684,250 S *	6/2013	Hubert	D23/356
D696,765 S *	12/2013	Spoerl	D23/378
D773,631 S *	12/2016	Breit	D23/379
D783,795 S *	4/2017	Avedon	D23/379

(73) Assignee: **LG ELECTRONICS INC.**, Seoul (KR)

(**) Term: **15 Years**

* cited by examiner

(21) Appl. No.: **35/501,539**

Primary Examiner — Michael A Pratt

(22) Filed: **Mar. 11, 2016**

(74) *Attorney, Agent, or Firm* — Birch, Stewart, Kolasch & Birch, LLP

(80) **Hague Agreement Data**

Int. Filing Date: **Mar. 11, 2016**

Int. Reg. No.: **DM/089916**

Int. Reg. Date: **Mar. 11, 2016**

Int. Reg. Pub. Date: **Sep. 16, 2016**

(57)

CLAIM

The ornamental design for a fan, as shown and described.

(30) **Foreign Application Priority Data**

Dec. 11, 2015 (KR) 30-2015-0063488

(51) **LOC (10) Cl.** **23-04**

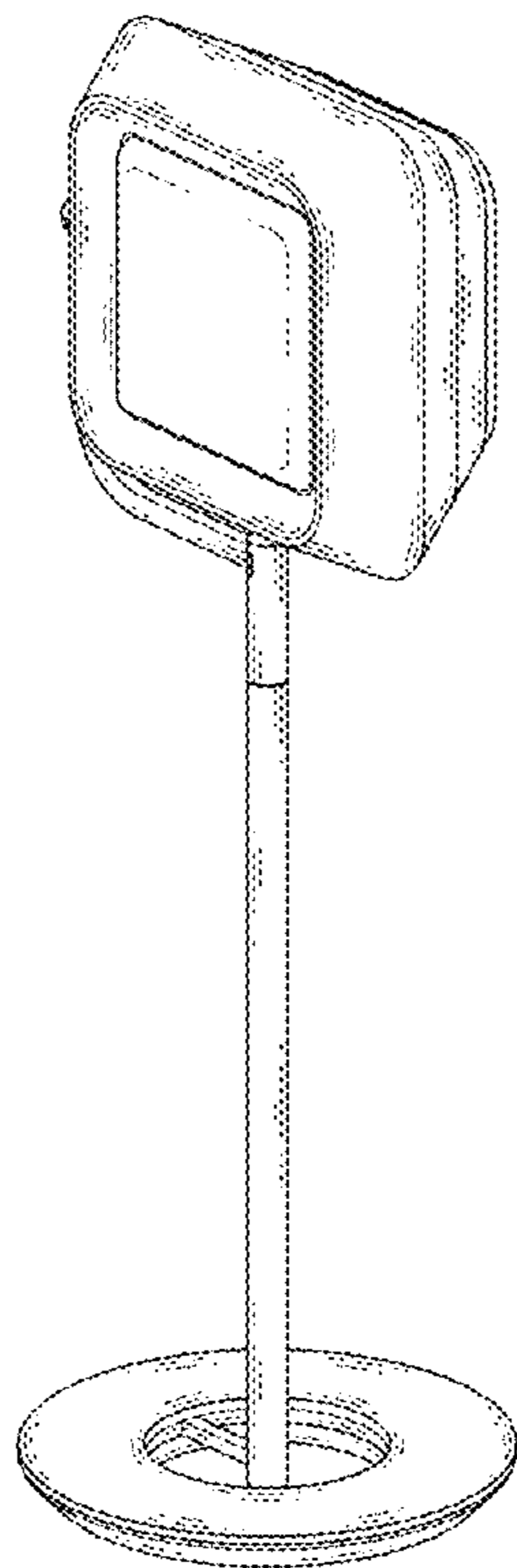
(52) **U.S. Cl.**
USPC **D23/378**

(58) **Field of Classification Search**
USPC D23/378, 379, 380, 381, 382, 383
CPC F04D 25/00; F04D 25/10; F04D 25/08;
F04D 25/105; F04D 25/166; F04D 17/04
See application file for complete search history.

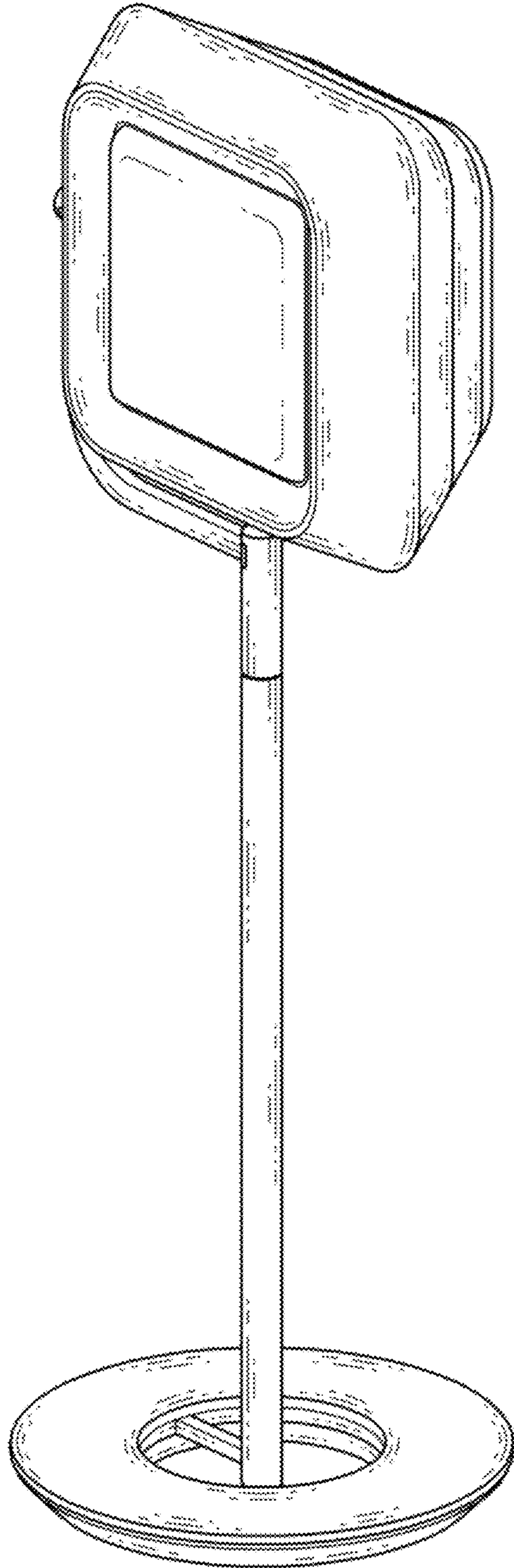
DESCRIPTION

1. Fan
- 1.1 is a perspective view
- 1.2 is a front side view
- 1.3 is rear side view
- 1.4 is a left view
- 1.5 is a right view
- 1.6 is a top view
- 1.7 is a bottom view
- 1.8 is an alternate position

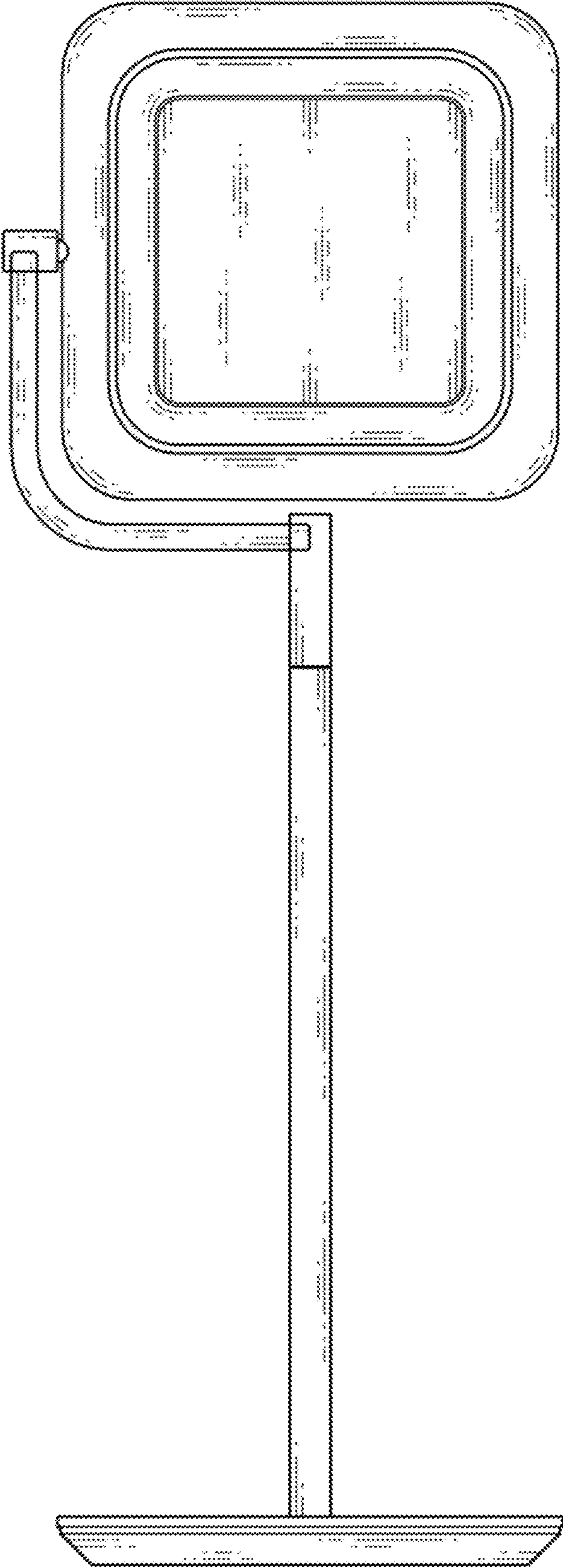
1 Claim, 8 Drawing Sheets



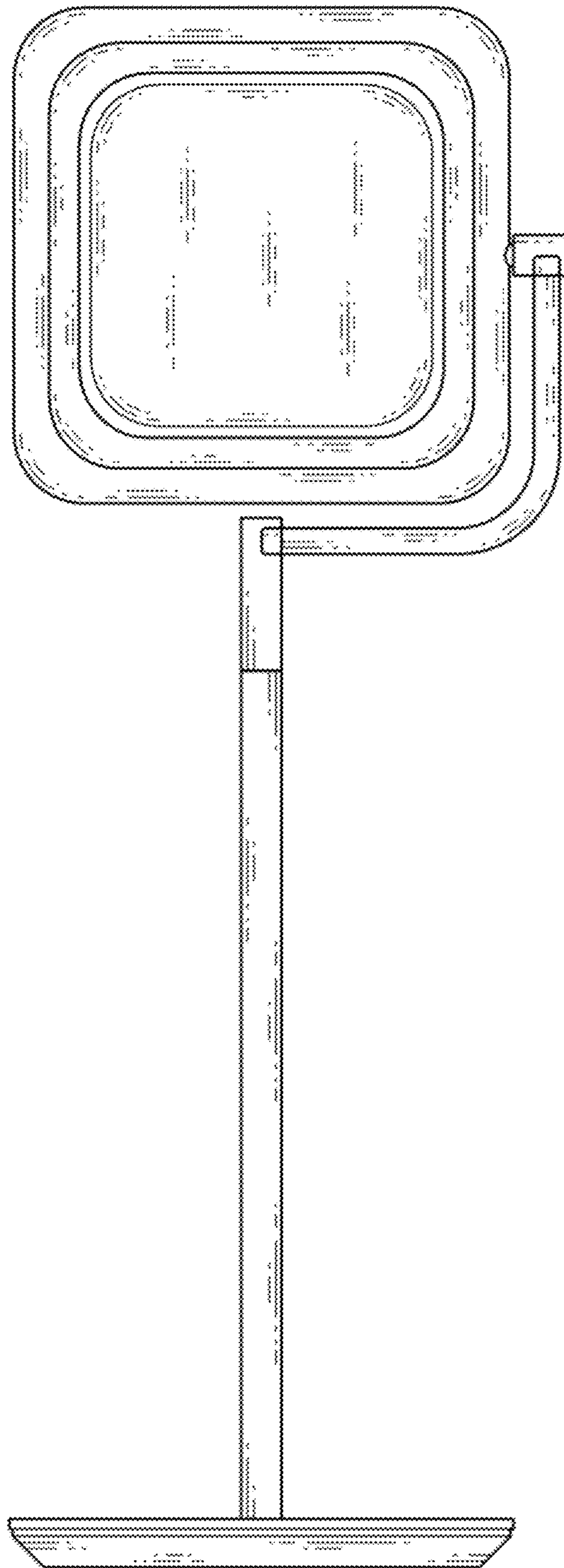
1.1



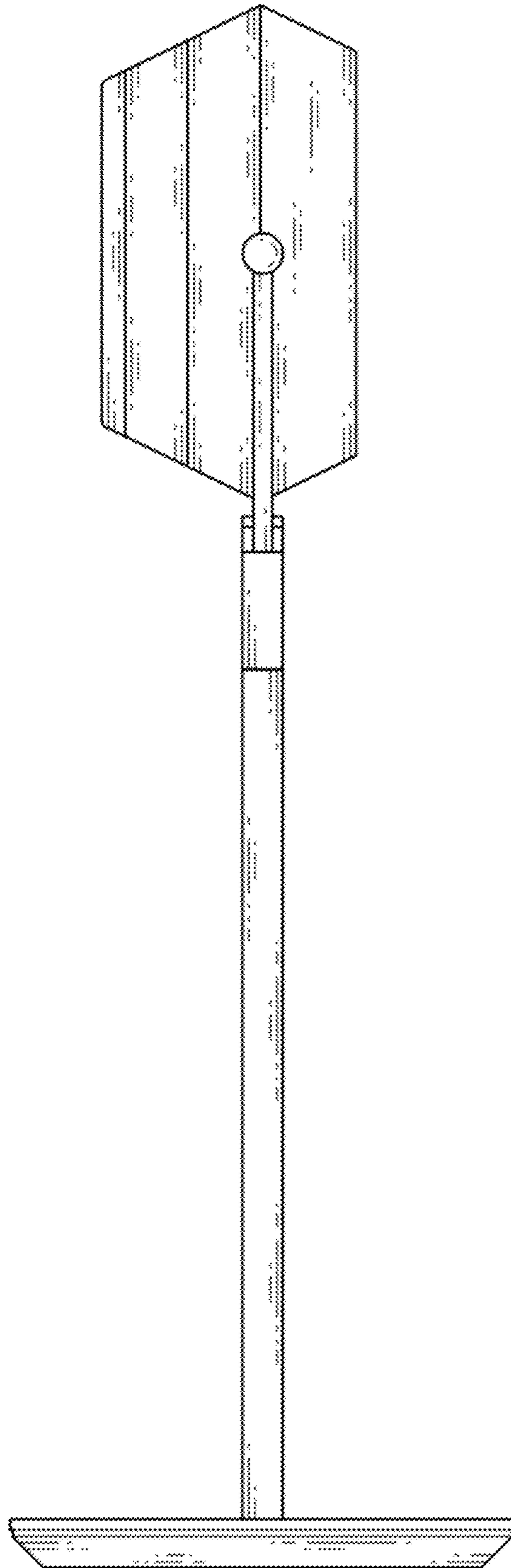
1.2



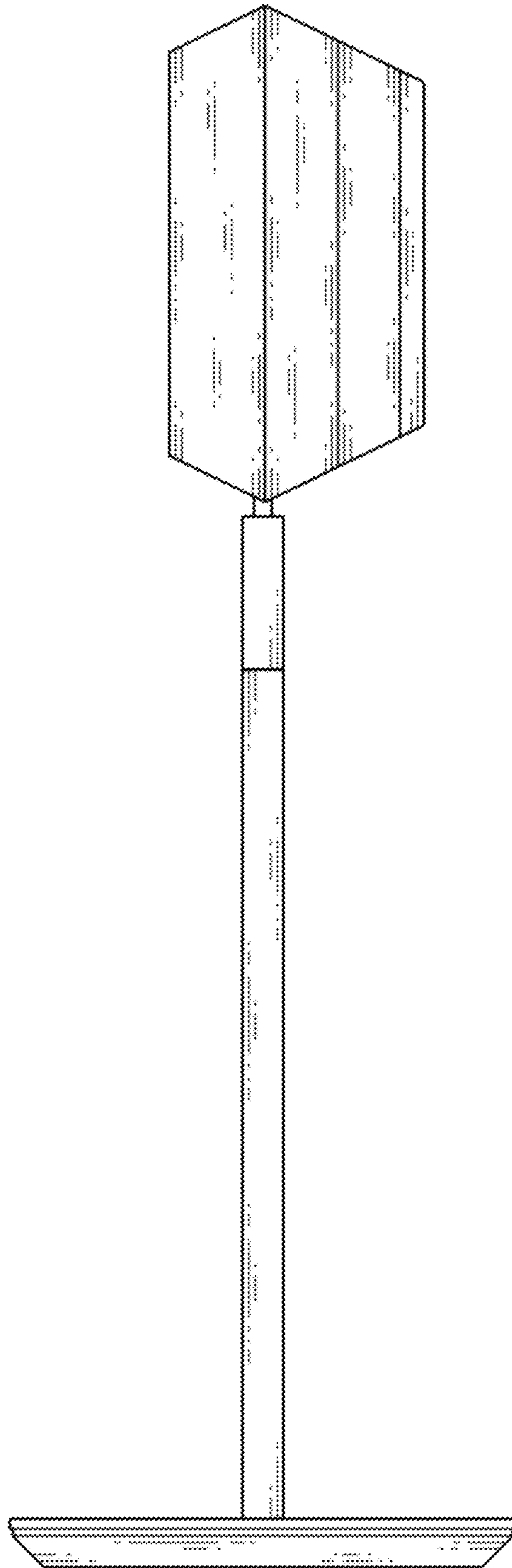
1.3



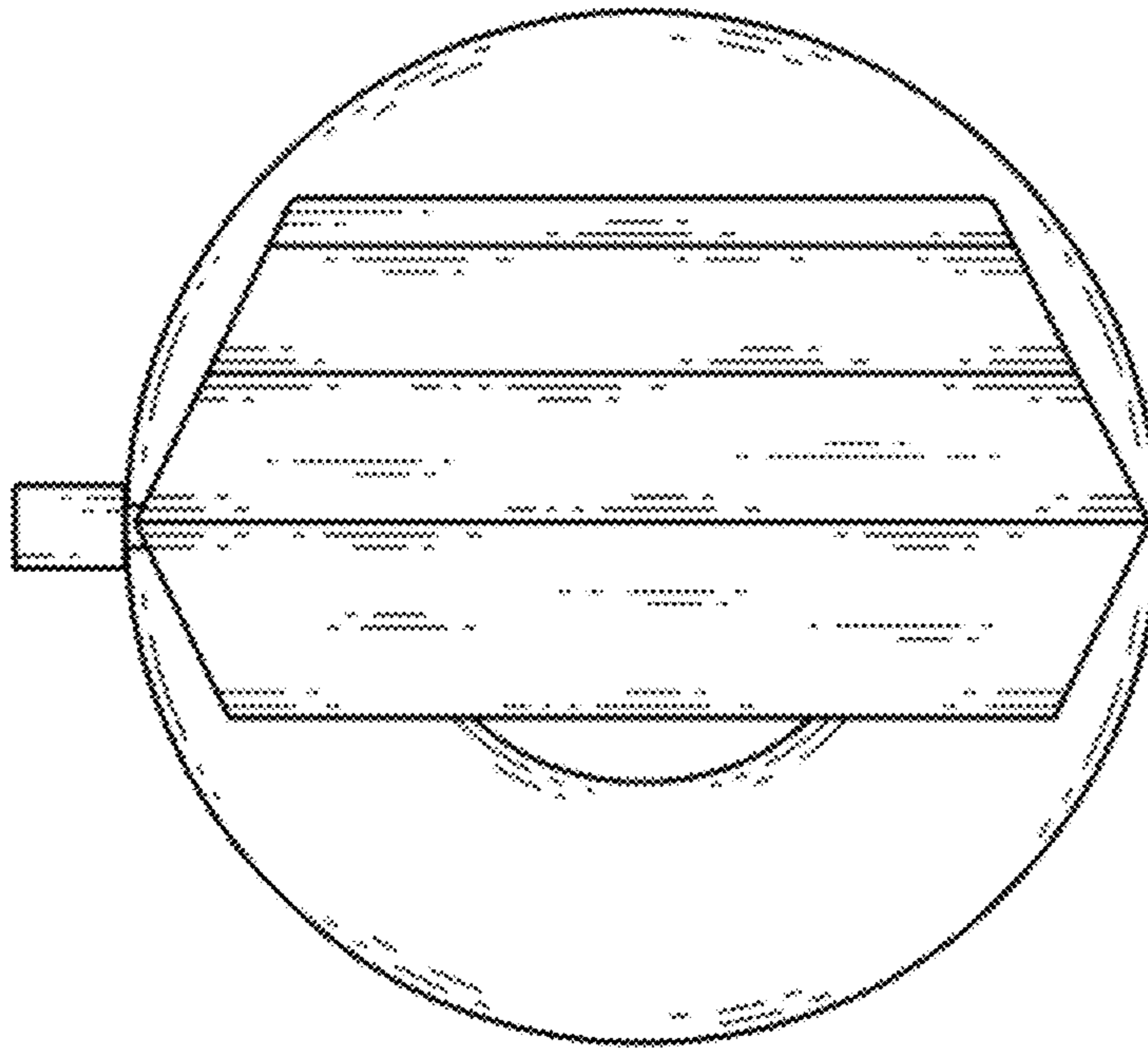
1.4



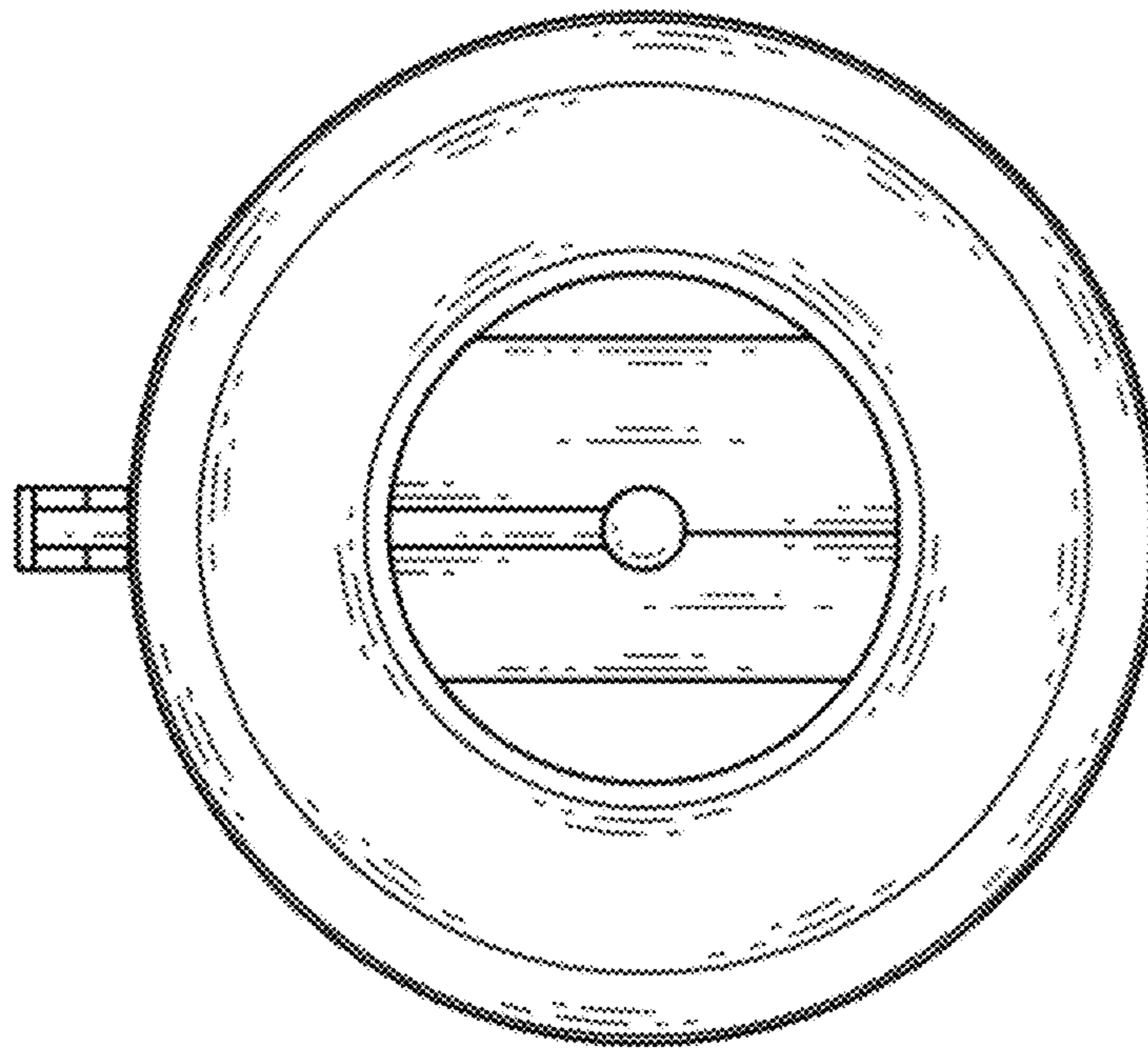
1.5



1.6



1.7



1.8

