



US00D802735S

(12) **United States Design Patent** (10) **Patent No.:** **US D802,735 S**
Kim et al. (45) **Date of Patent:** **** Nov. 14, 2017**

(54) **FAN**
(71) Applicant: **LG ELECTRONICS INC.**, Seoul (KR)
(72) Inventors: **Seongmin Kim**, Seoul (KR); **Sehwan Bae**, Seoul (KR)
(73) Assignee: **LG ELECTRONICS INC.**, Seoul (KR)
(**) Term: **15 Years**
(21) Appl. No.: **35/501,536**
(22) Filed: **Mar. 11, 2016**
(80) **Hague Agreement Data**
Int. Filing Date: **Mar. 11, 2016**
Int. Reg. No.: **DM/089908**
Int. Reg. Date: **Mar. 11, 2016**
Int. Reg. Pub. Date: **Sep. 16, 2016**

(30) **Foreign Application Priority Data**
Dec. 11, 2015 (KR) 30-2015-0063492
(51) **LOC (10) Cl.** **23-04**
(52) **U.S. Cl.**
USPC **D23/378**

(58) **Field of Classification Search**
USPC D23/378, 379, 380, 381, 382, 383
CPC F04D 25/00; F04D 25/10; F04D 25/08;
F04D 25/105; F04D 25/166; F04D 17/04
See application file for complete search history.

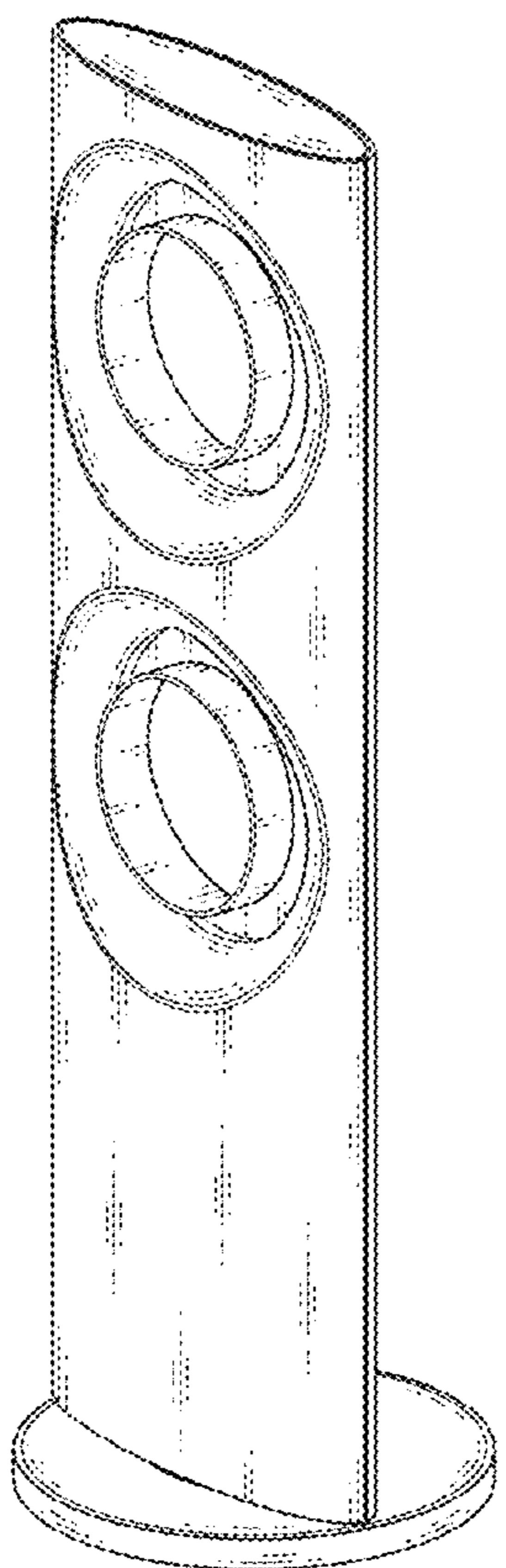
(56) **References Cited**
U.S. PATENT DOCUMENTS
D552,227 S * 10/2007 Bucher D23/378
D683,010 S * 5/2013 Chen D23/370
D683,011 S * 5/2013 Chen D23/370

* cited by examiner
Primary Examiner — Michael A Pratt
(74) *Attorney, Agent, or Firm* — Birch, Stewart, Kolasch & Birch, LLP

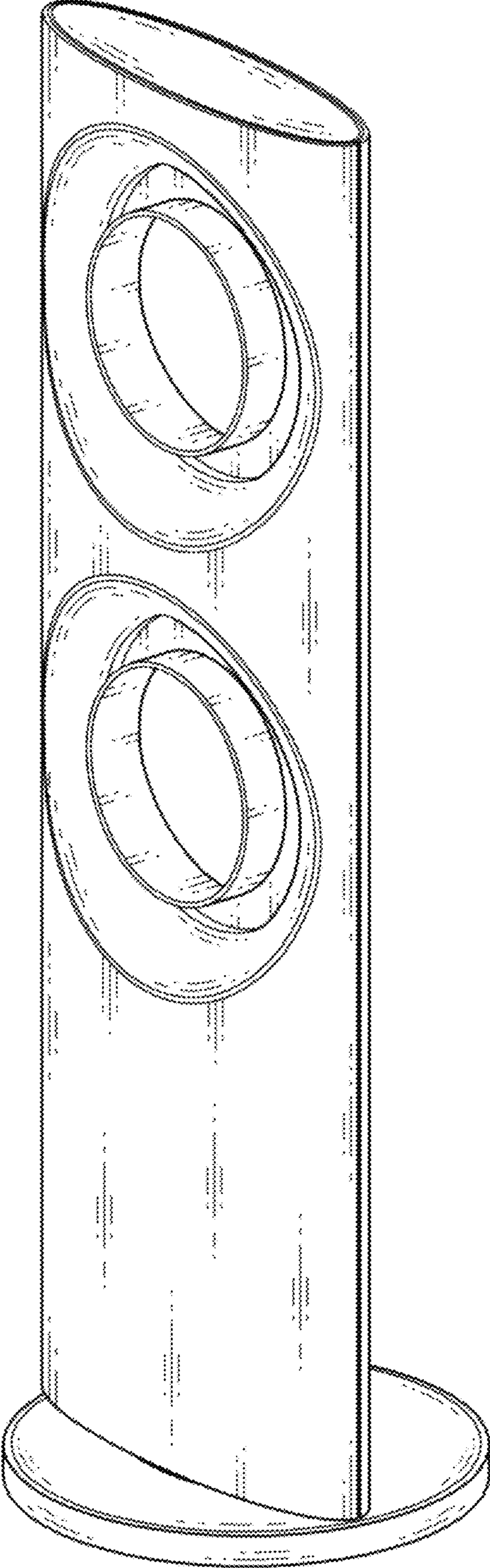
(57) **CLAIM**
The ornamental design for a fan, as shown and described.
DESCRIPTION

- 1. Fan
- 1.1 is a perspective view
- 1.2 is a front side view
- 1.3 is rear side view
- 1.4 is a left view
- 1.5 is a right view
- 1.6 is a top view
- 1.7 is a bottom view

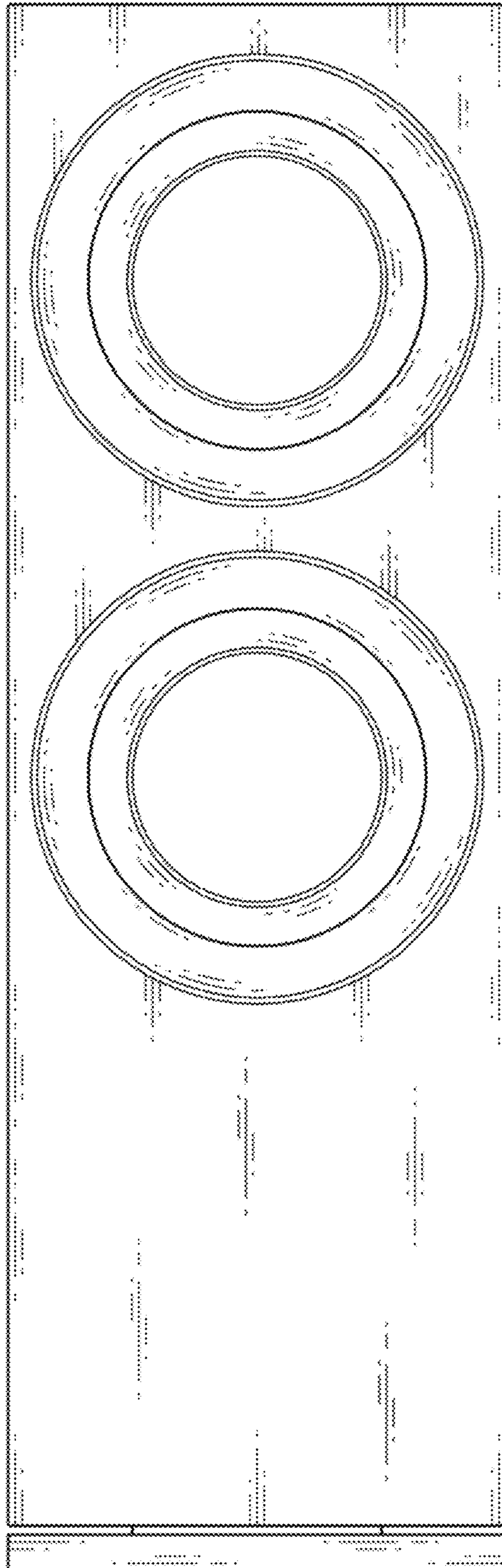
1 Claim, 7 Drawing Sheets



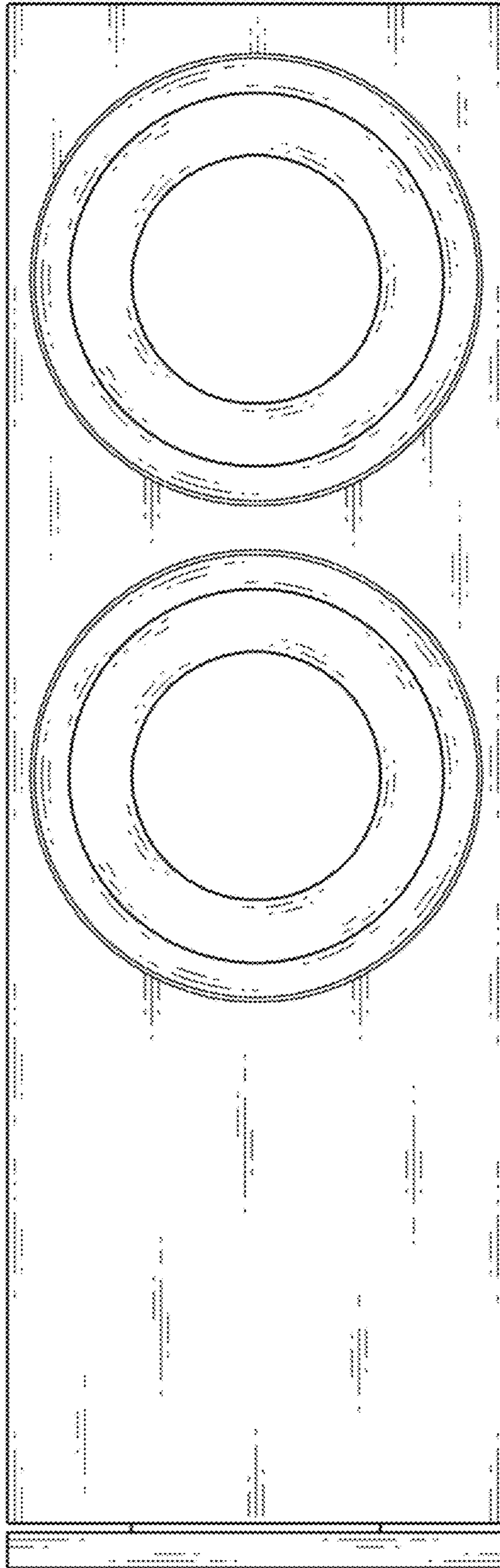
1.1



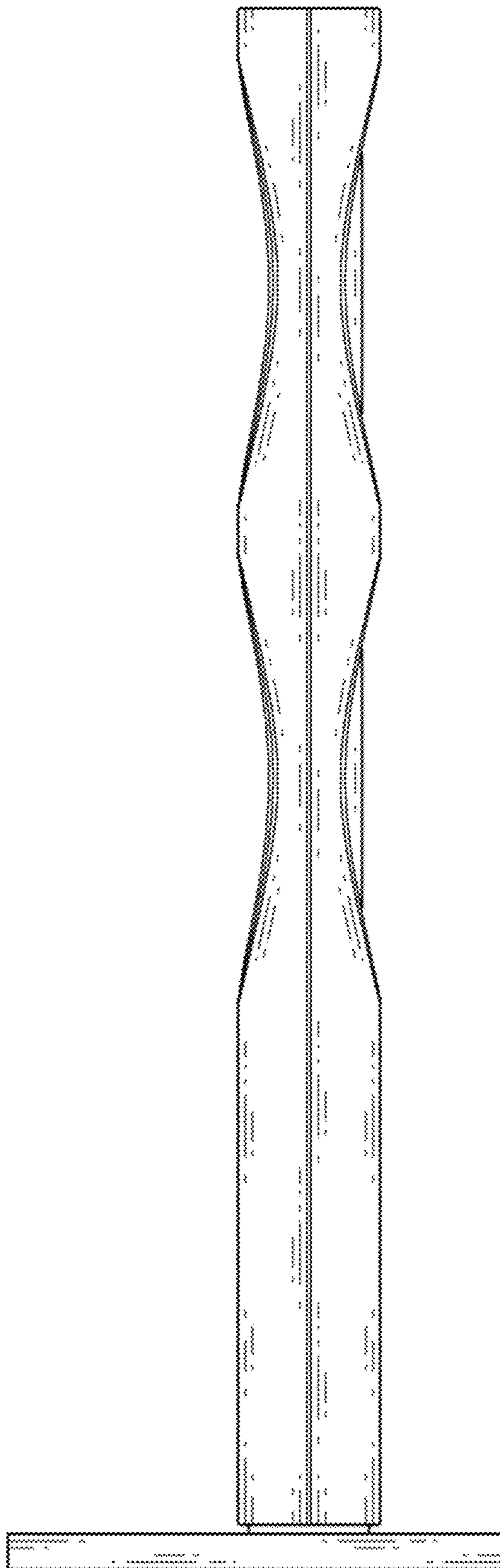
1.2



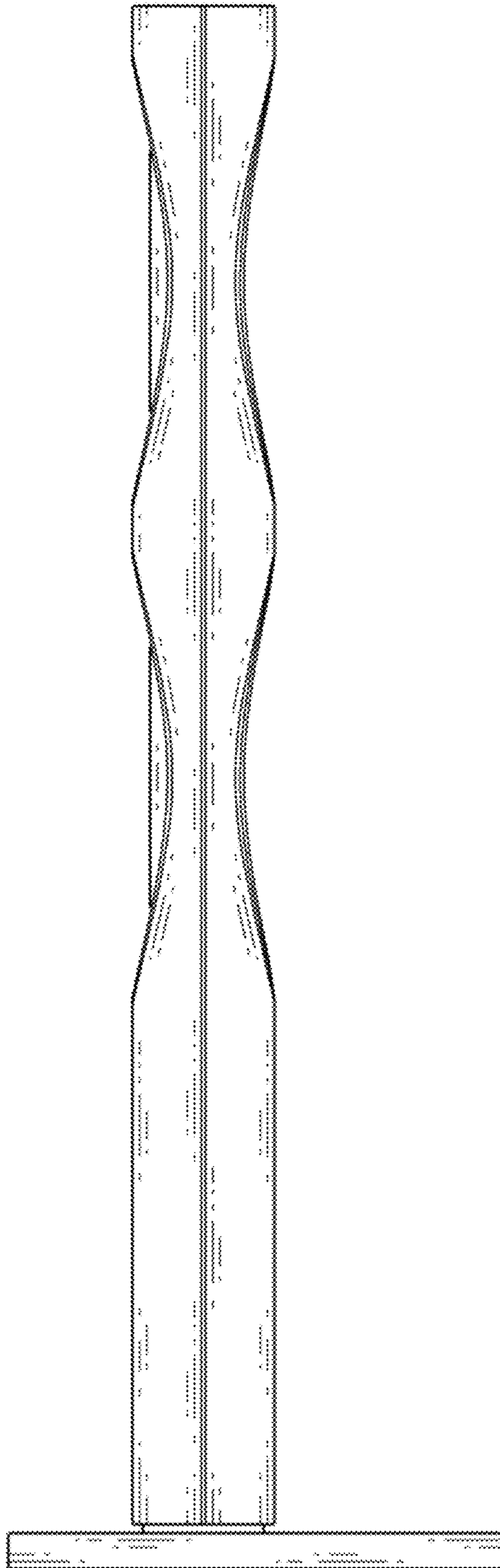
1.3



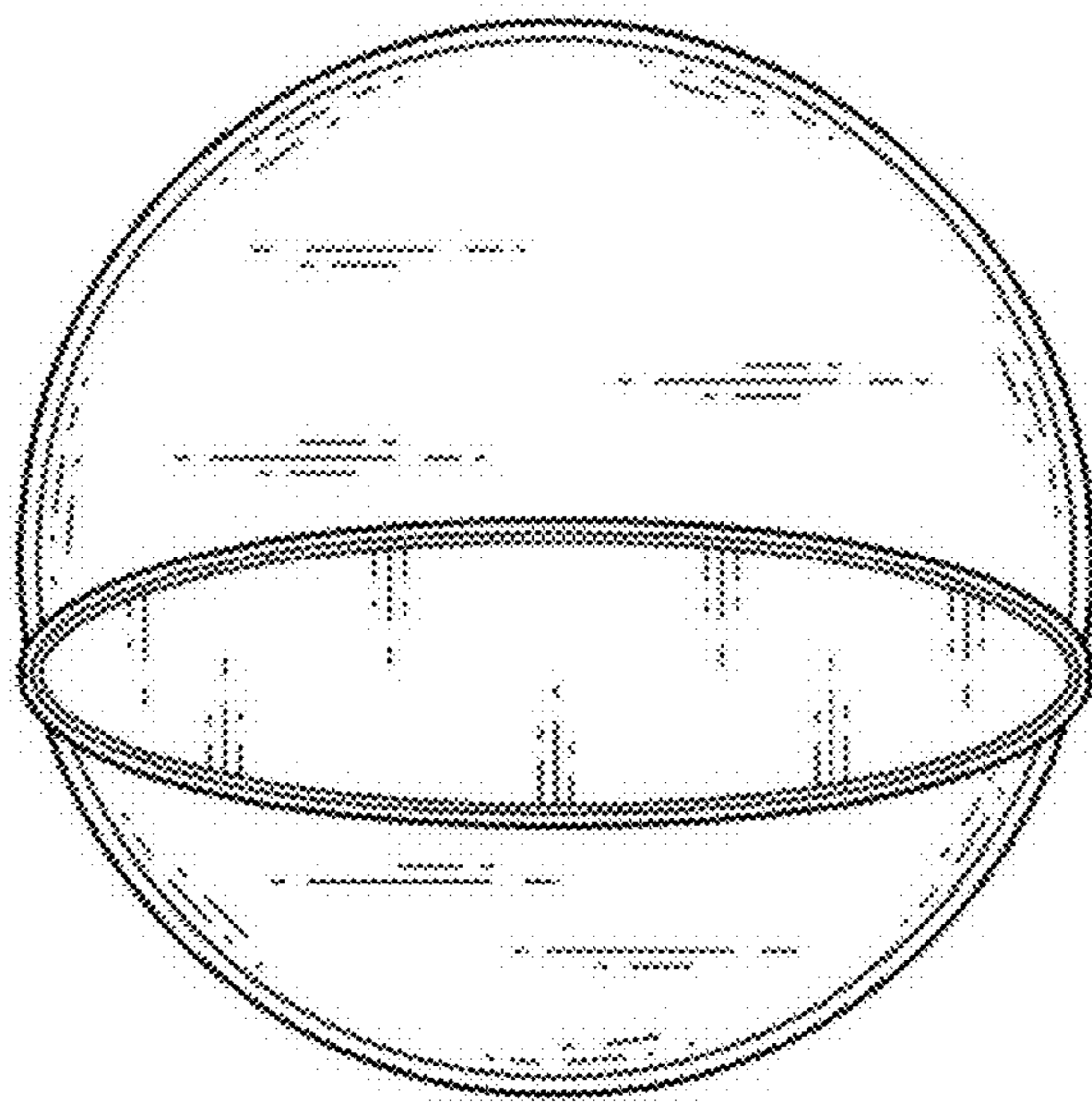
1.4



1.5



1.6



1.7

