



US00D802726S

(12) **United States Design Patent** (10) **Patent No.:** **US D802,726 S**  
**Efrati et al.** (45) **Date of Patent:** **\*\* Nov. 14, 2017**

(54) **APPARATUS FOR CONVERTING ORGANIC WASTE INTO GAS AND FERTILIZER**

CPC ..... C05F 17/0258; C05F 17/0018  
 See application file for complete search history.

(71) Applicant: **HomeBiogas Ltd.**, Moshav Sde Zvi,  
 MO (US)  
 (72) Inventors: **Oshik Moshe Efrati**, Moshav Sde Zvi  
 (IL); **Yair Teller**, Moshav Livnim (IL);  
**Erez Lanzer**, Moshav Sde Zvi (IL);  
**Shoham Zak**, Givat Ela (IL)

(56) **References Cited**

U.S. PATENT DOCUMENTS

3,052,249 A \* 9/1962 Seaman ..... E04H 15/00  
 135/117  
 3,654,903 A \* 4/1972 Montgomery ..... A01K 67/0332  
 119/436  
 3,890,129 A \* 6/1975 Chester ..... C05F 17/0205  
 366/234  
 4,160,340 A \* 7/1979 Levett ..... A01G 9/24  
 47/17

(Continued)

(73) Assignee: **HomeBiogas Ltd.**, Moshav Sde Zvi  
 (IL)

FOREIGN PATENT DOCUMENTS

WO 2013190361 12/2013  
 WO 2014203047 12/2014

(\*\*) Term: **15 Years**

*Primary Examiner* — David Muller

(21) Appl. No.: **29/547,461**

(74) *Attorney, Agent, or Firm* — Rodney J. Fuller; Booth  
 Udall Fuller, PLC

(22) Filed: **Dec. 3, 2015**

(57) **CLAIM**

The ornamental design for an apparatus for converting organic waste into gas and fertilizer, as shown and described in the preceding figures.

(30) **Foreign Application Priority Data**

**DESCRIPTION**

Jun. 4, 2015 (IL) ..... 57012  
 Dec. 2, 2015 (IL) ..... 57776

(51) **LOC (10) Cl.** ..... **23-04**

(52) **U.S. Cl.**  
 USPC ..... **D23/355**

(58) **Field of Classification Search**  
 USPC ..... D23/355–366, 352, 369, 332, 333, 335,  
 D23/336, 342, 351; D25/18; 71/10;  
 435/262.5, 290.4; 422/120, 122; 55/356,  
 55/473, 504; 96/97; 261/DIG. 17,  
 261/DIG. 65, DIG. 88, DIG. 31

FIG. 1 is a front perspective view of an apparatus for converting organic waste into gas and fertilizer.  
 FIG. 2 is a rear perspective view thereof;  
 FIG. 3 is a front view thereof;  
 FIG. 4 is a back view thereof;  
 FIG. 5 is a right side view thereof;  
 FIG. 6 is a left side view thereof;  
 FIG. 7 is a top view;  
 FIG. 8 is a bottom view;  
 FIG. 9 is a front perspective open view thereof;  
 FIG. 10 is a rear perspective open view thereof;  
 FIG. 11 is a front side open view thereof;  
 FIG. 12 is a back side open view thereof;

(Continued)

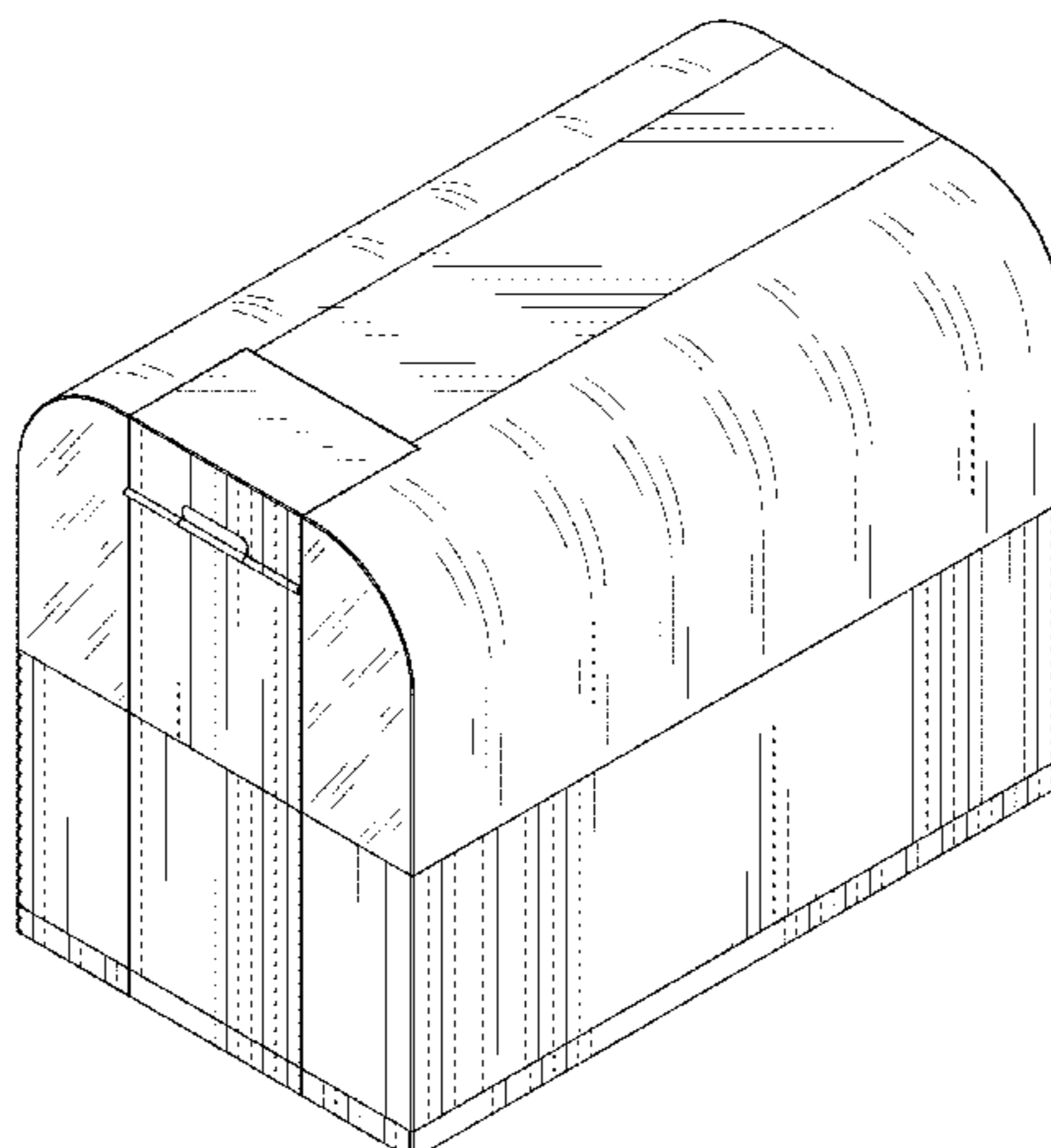


FIG. 13 is a right side open view thereof;  
FIG. 14 is a left side open view thereof;  
FIG. 15 is a top side open view thereof; and,  
FIG. 16 is a bottom side open view thereof.  
The broken line showings of FIGS. 9, 10 and 15 are for illustrative purposes only and form no part of the claimed design.

**1 Claim, 16 Drawing Sheets**

(56)

**References Cited**

U.S. PATENT DOCUMENTS

D299,753 S *	2/1989	Virgilio .....	D25/15
5,356,452 A *	10/1994	Fahey .....	B09B 1/00
			405/129.2
6,620,613 B2 *	9/2003	Hung .....	C05F 17/0205
			435/290.1
6,703,234 B1 *	3/2004	Wadewitz .....	C05F 1/00
			422/29
7,320,753 B2 *	1/2008	Roos .....	A01C 3/023
			210/603
7,550,292 B2 *	6/2009	Teixeira .....	C05F 17/0211
			435/290.1
7,879,600 B2 *	2/2011	Chee .....	A01K 67/033
			435/290.2
7,977,088 B2 *	7/2011	Smith .....	B07B 1/04
			210/172.1
D685,921 S *	7/2013	Scott, IV .....	D25/18

\* cited by examiner

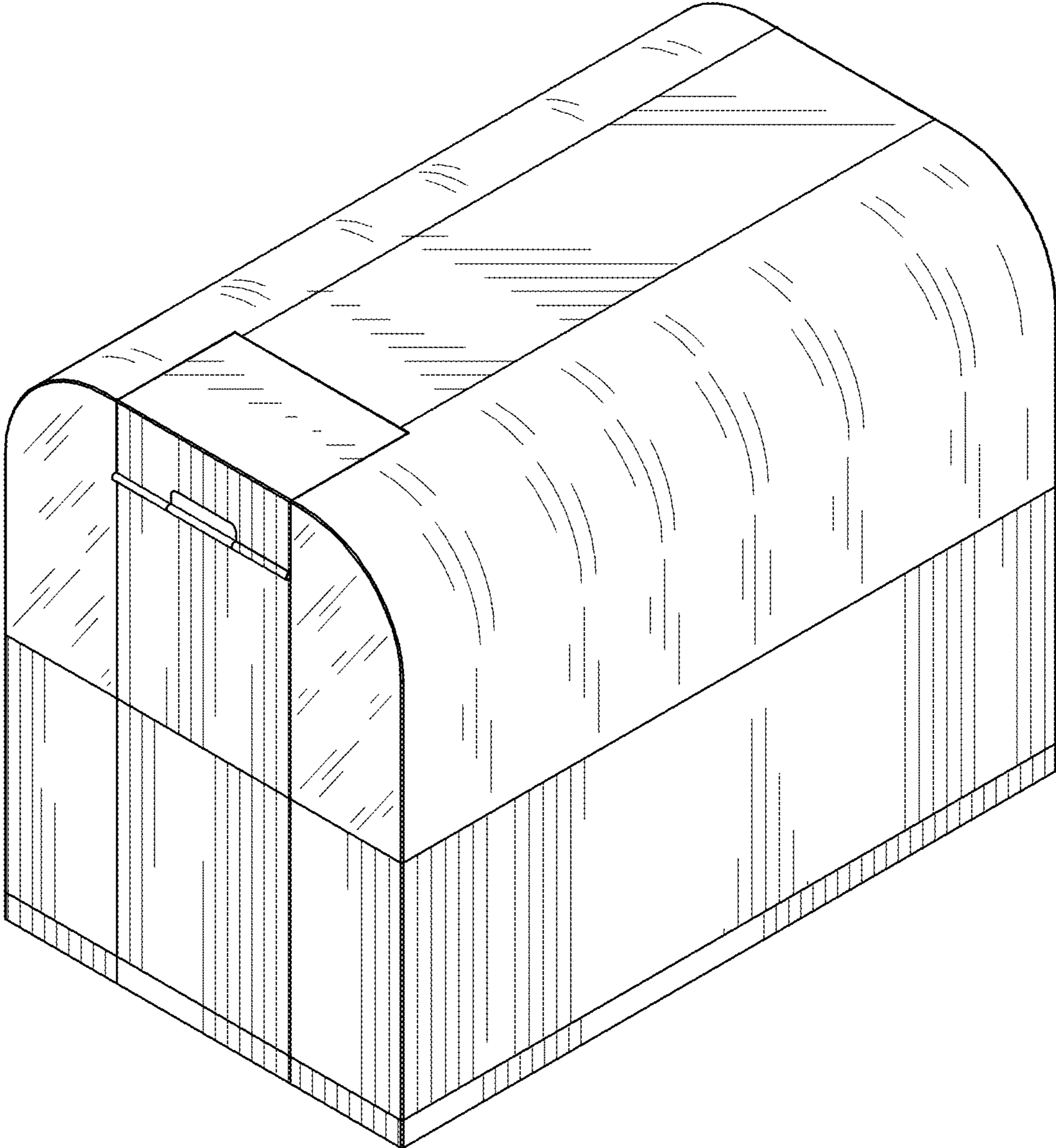


FIG. 1

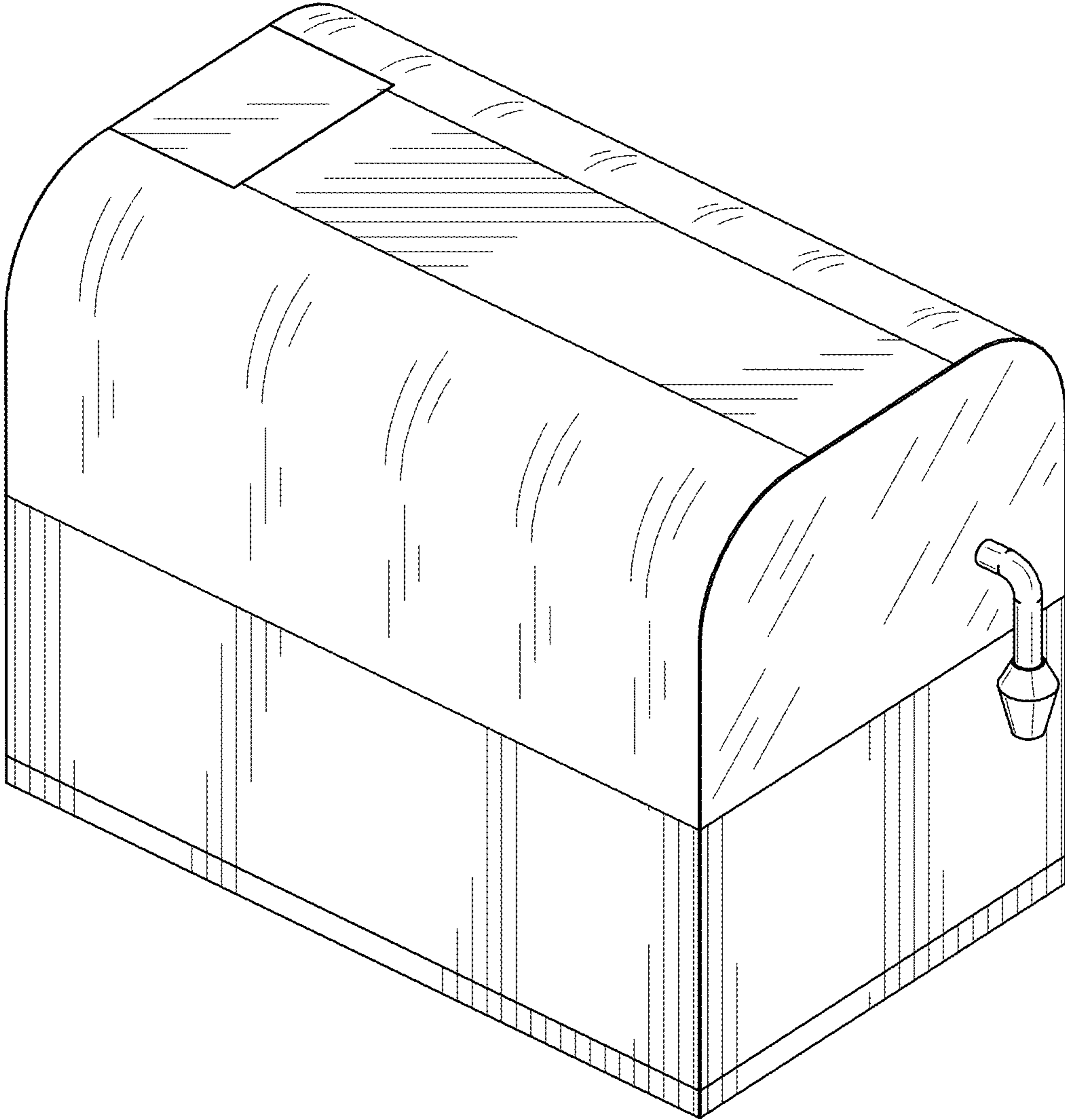


FIG. 2

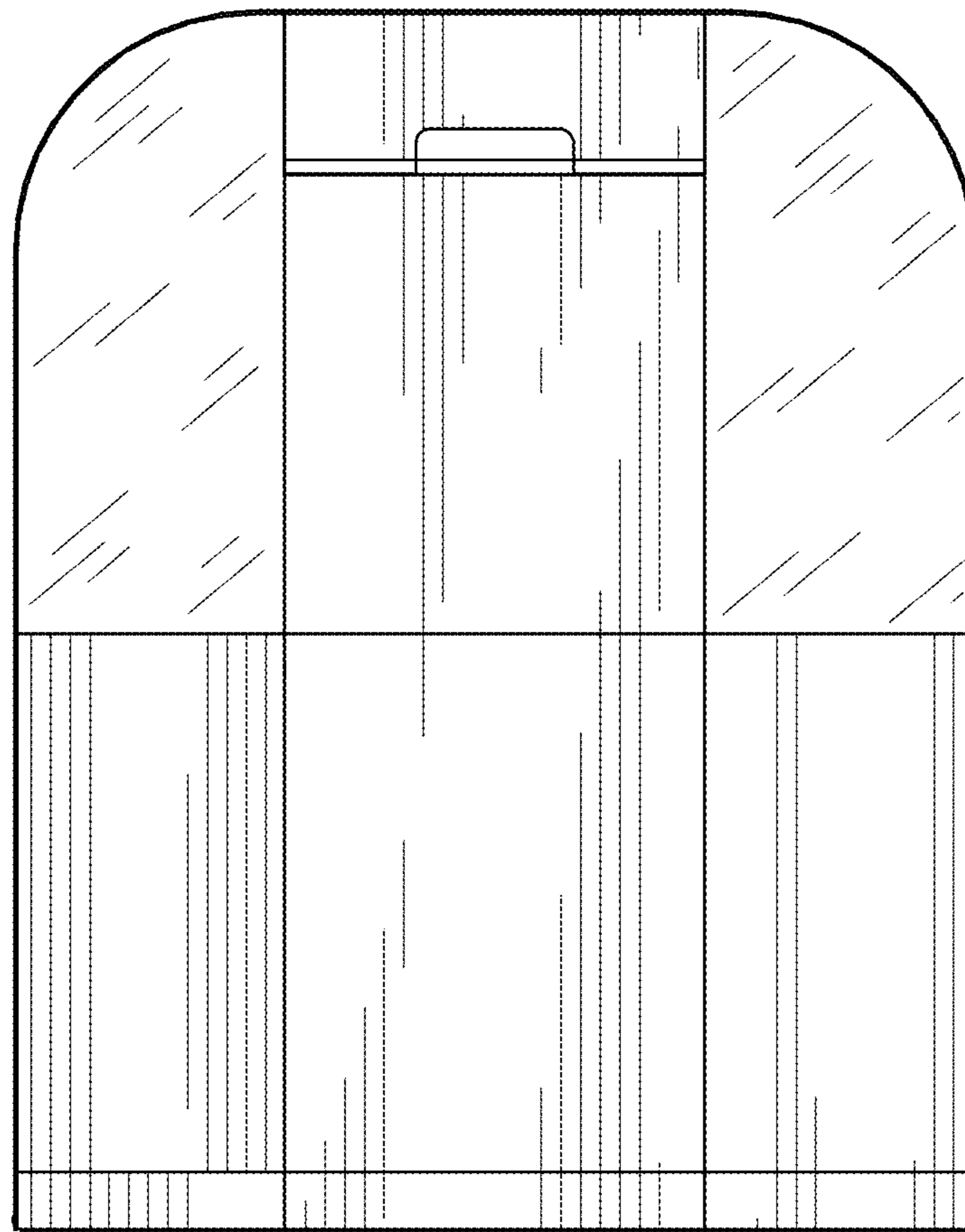


FIG. 3

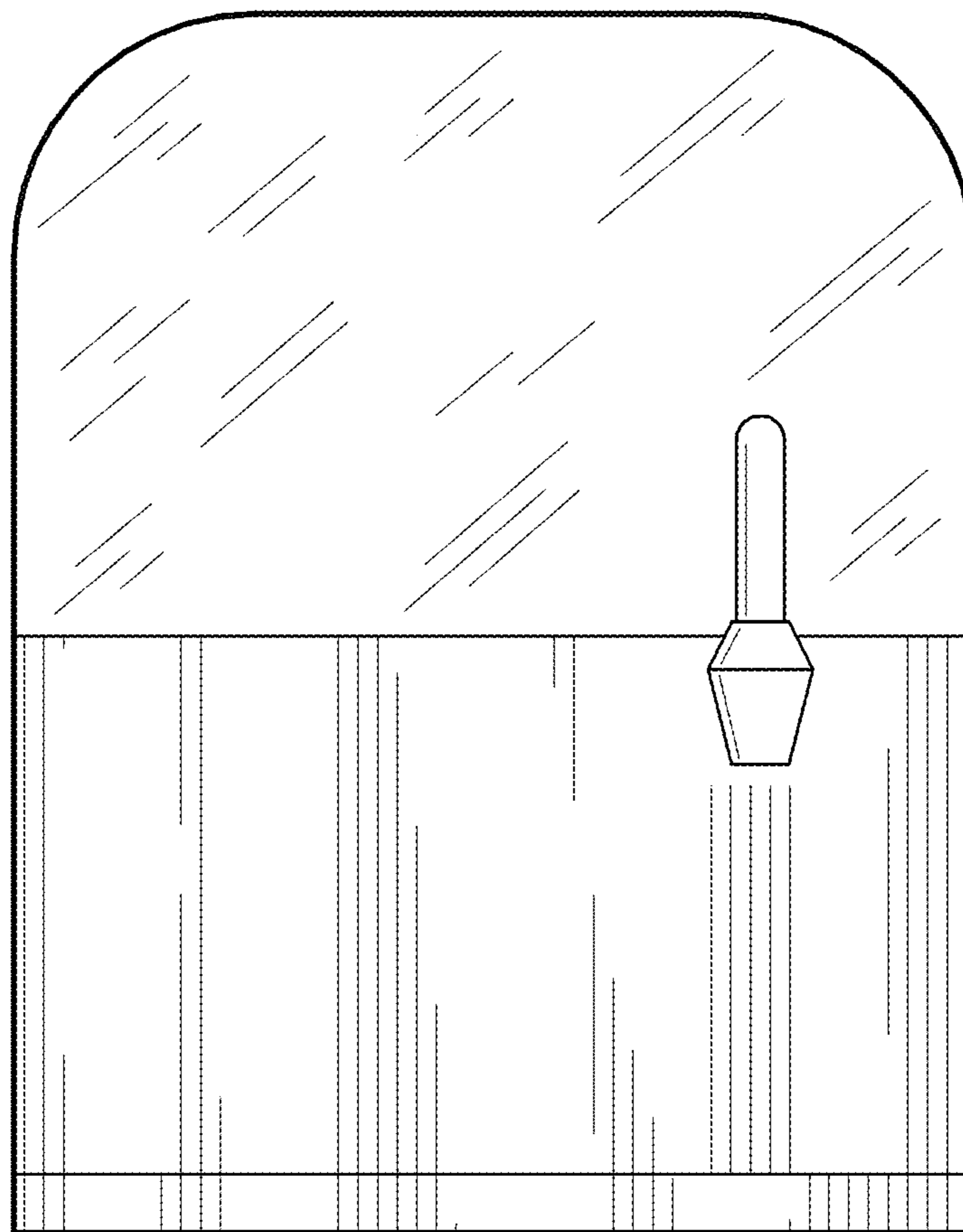


FIG. 4

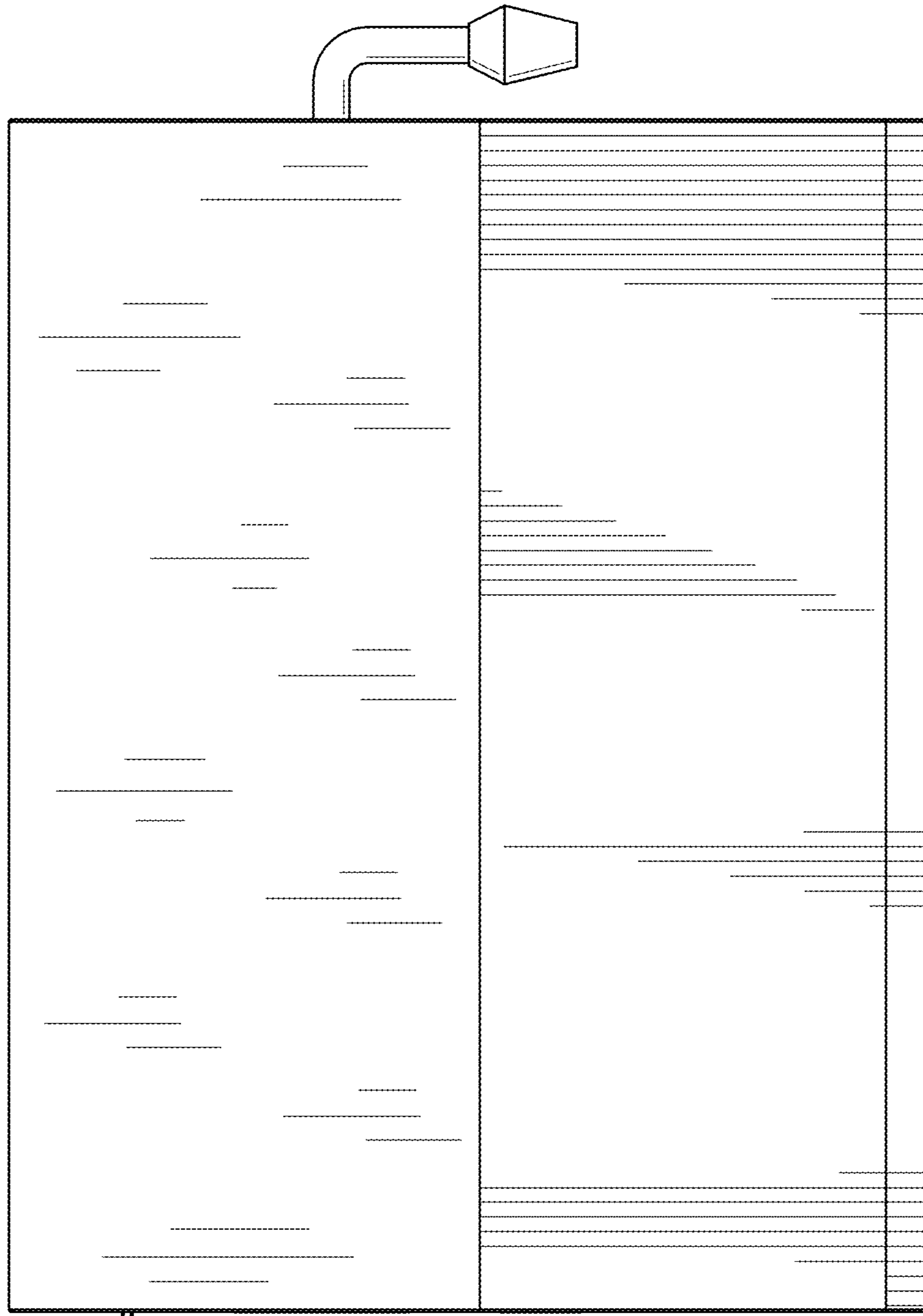


FIG. 5

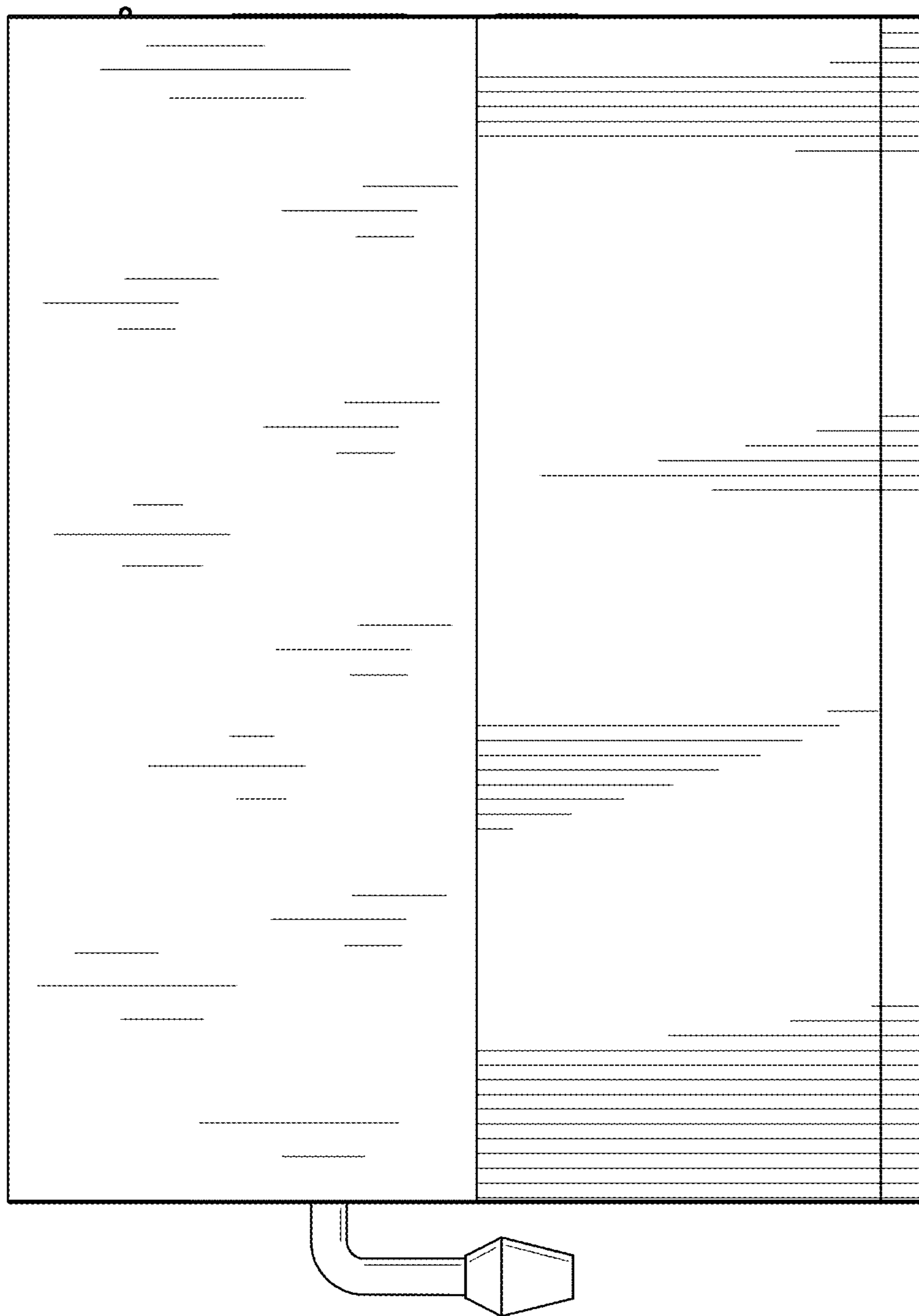


FIG. 6



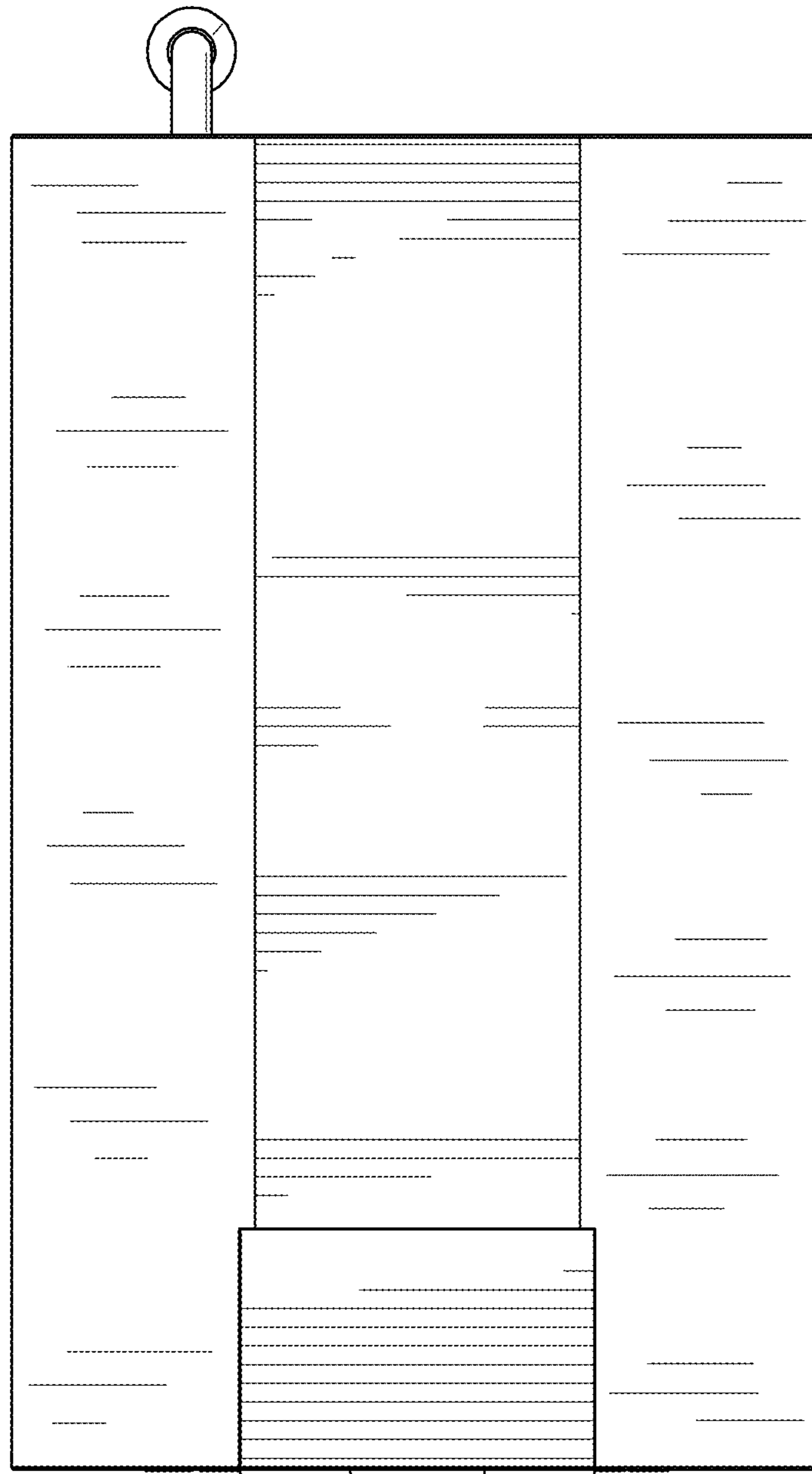


FIG. 7

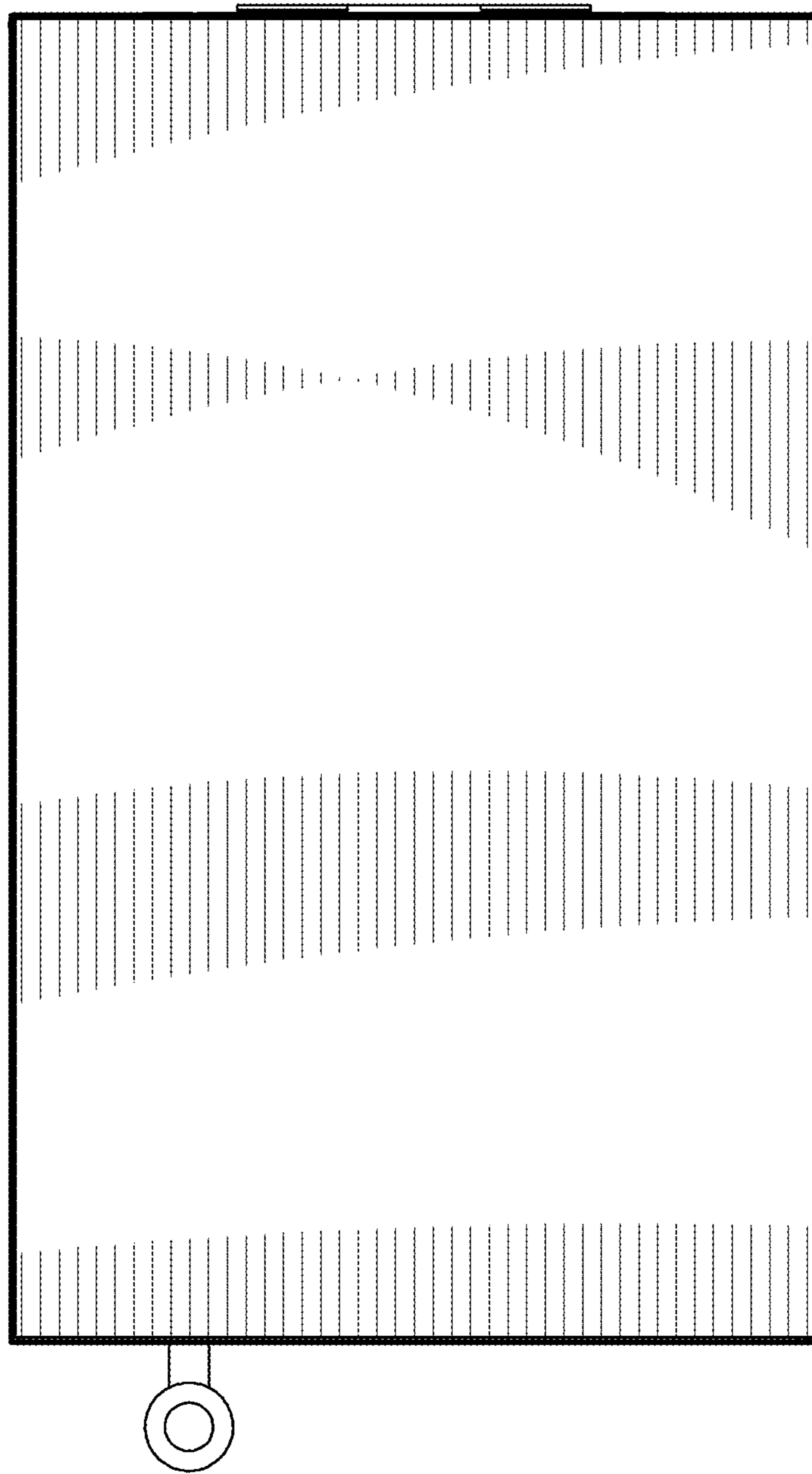


FIG. 8

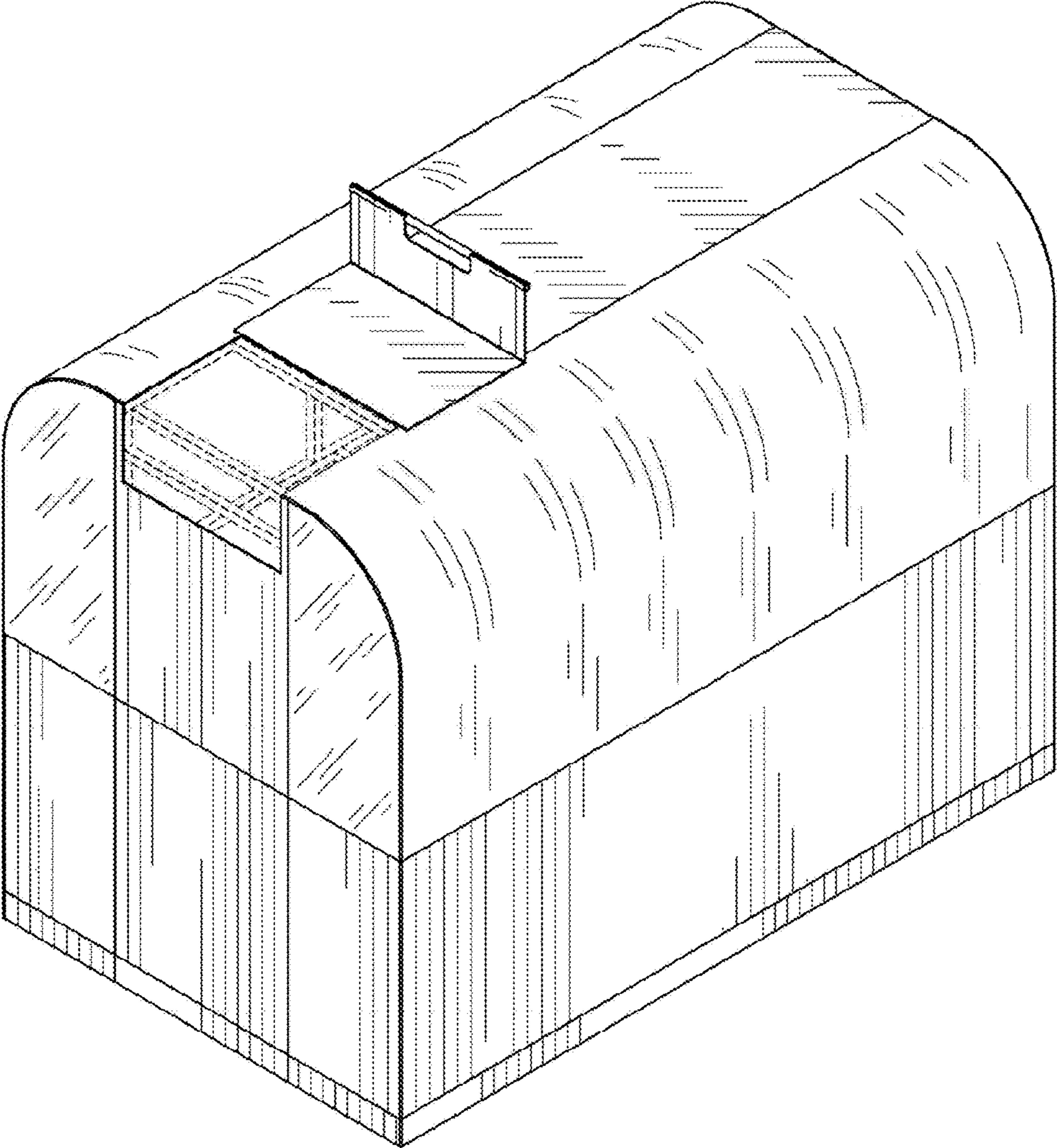


FIG. 9

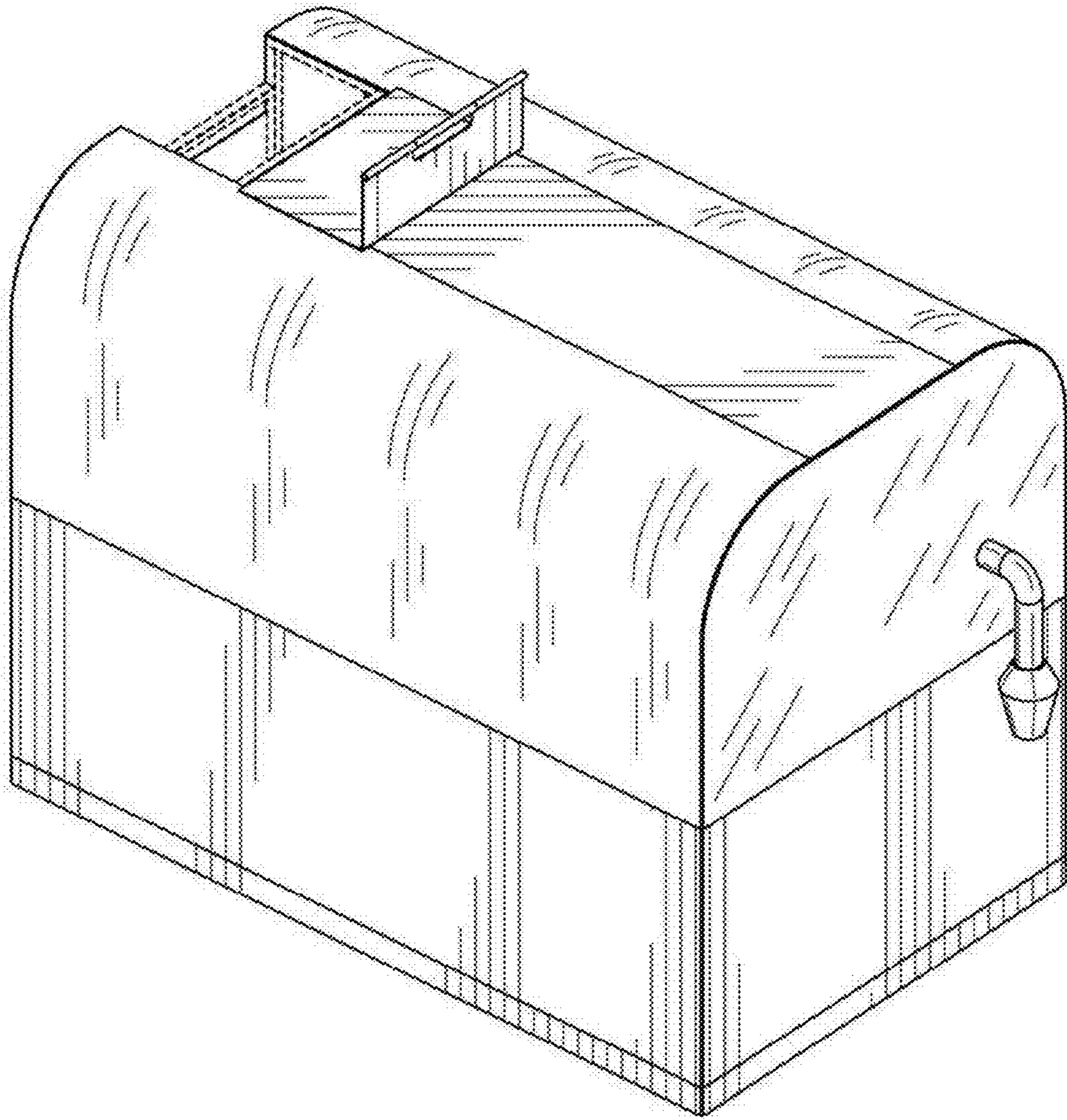


FIG. 10

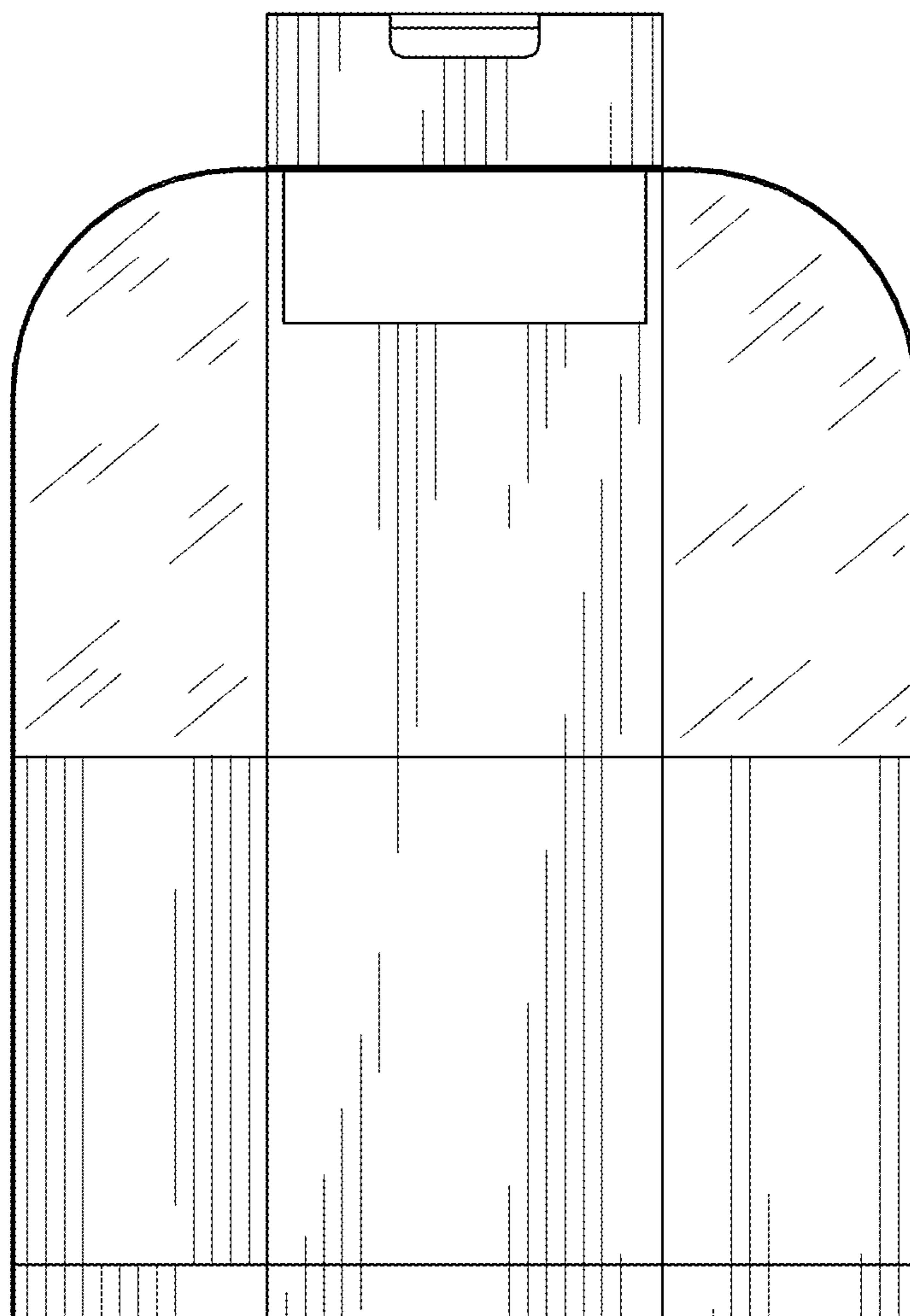


FIG. 11

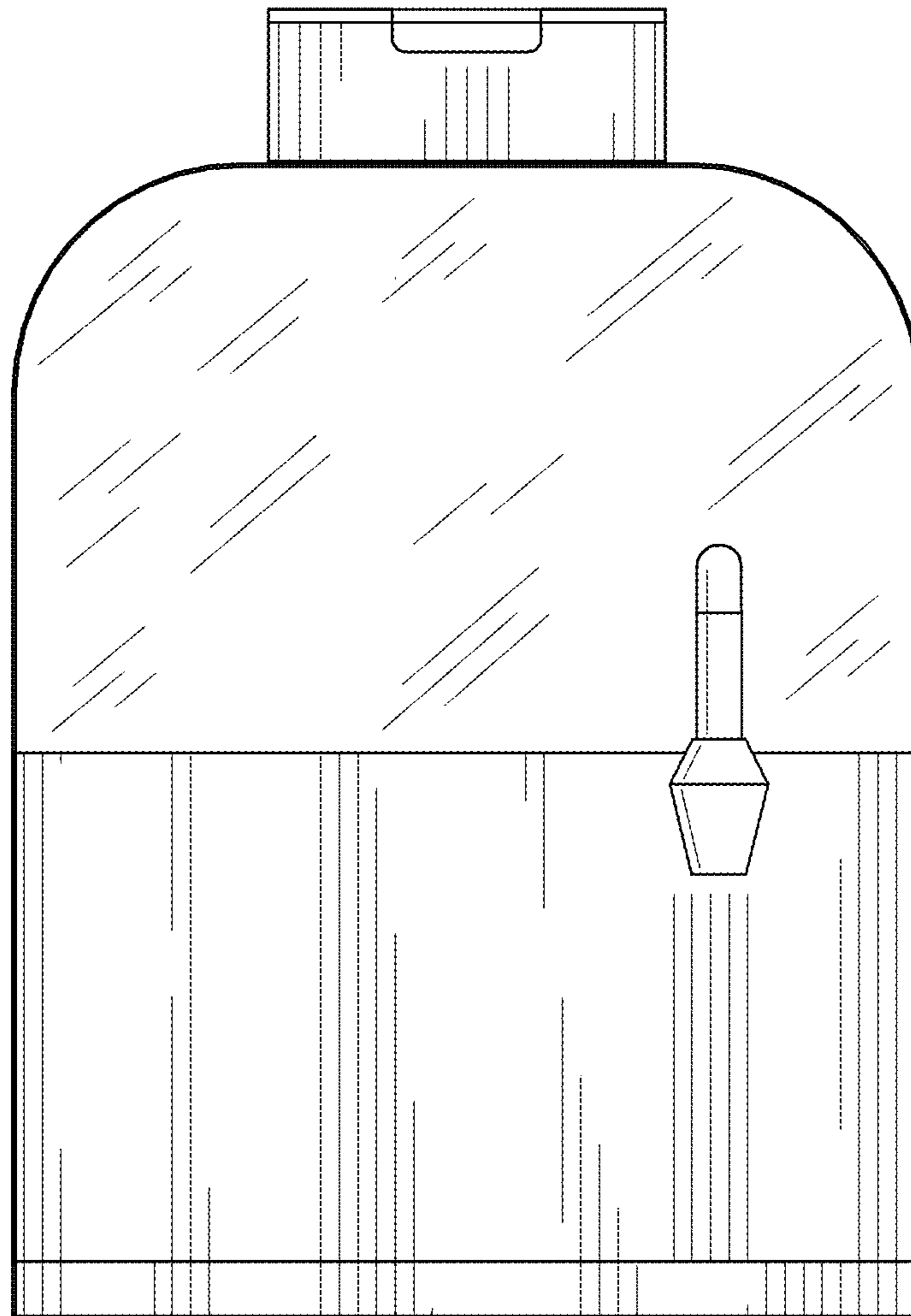


FIG. 12



FIG. 13

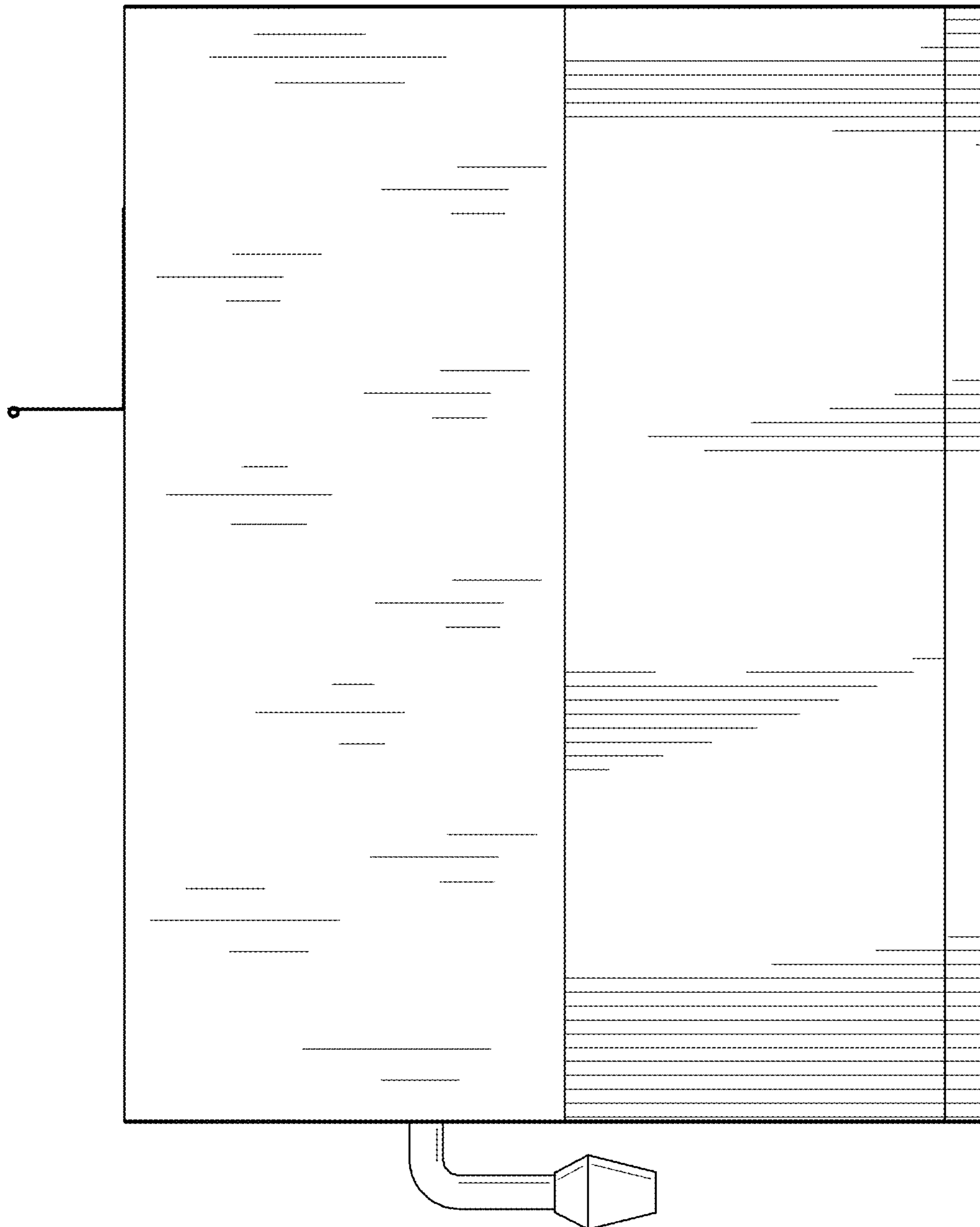


FIG. 14



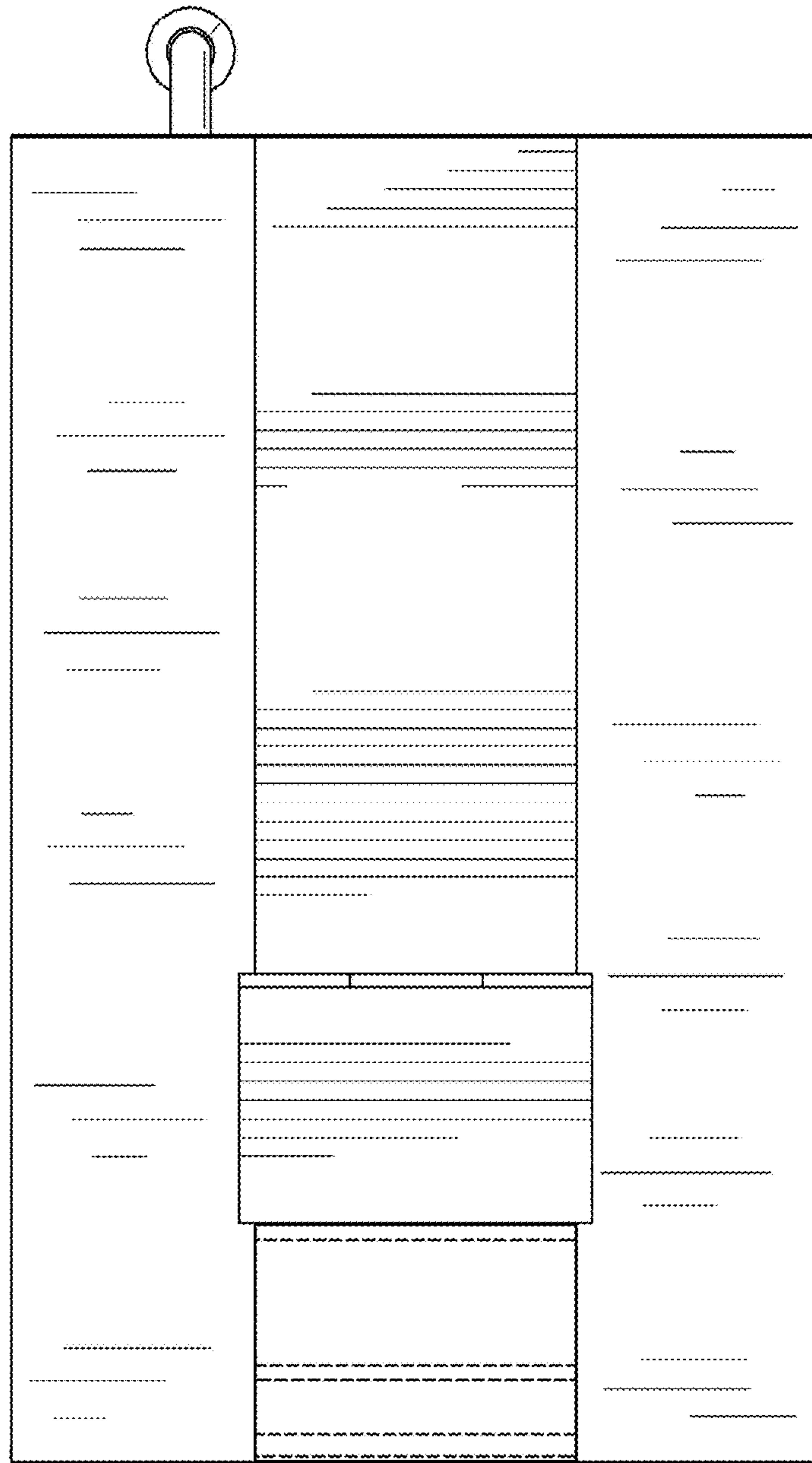


FIG. 15

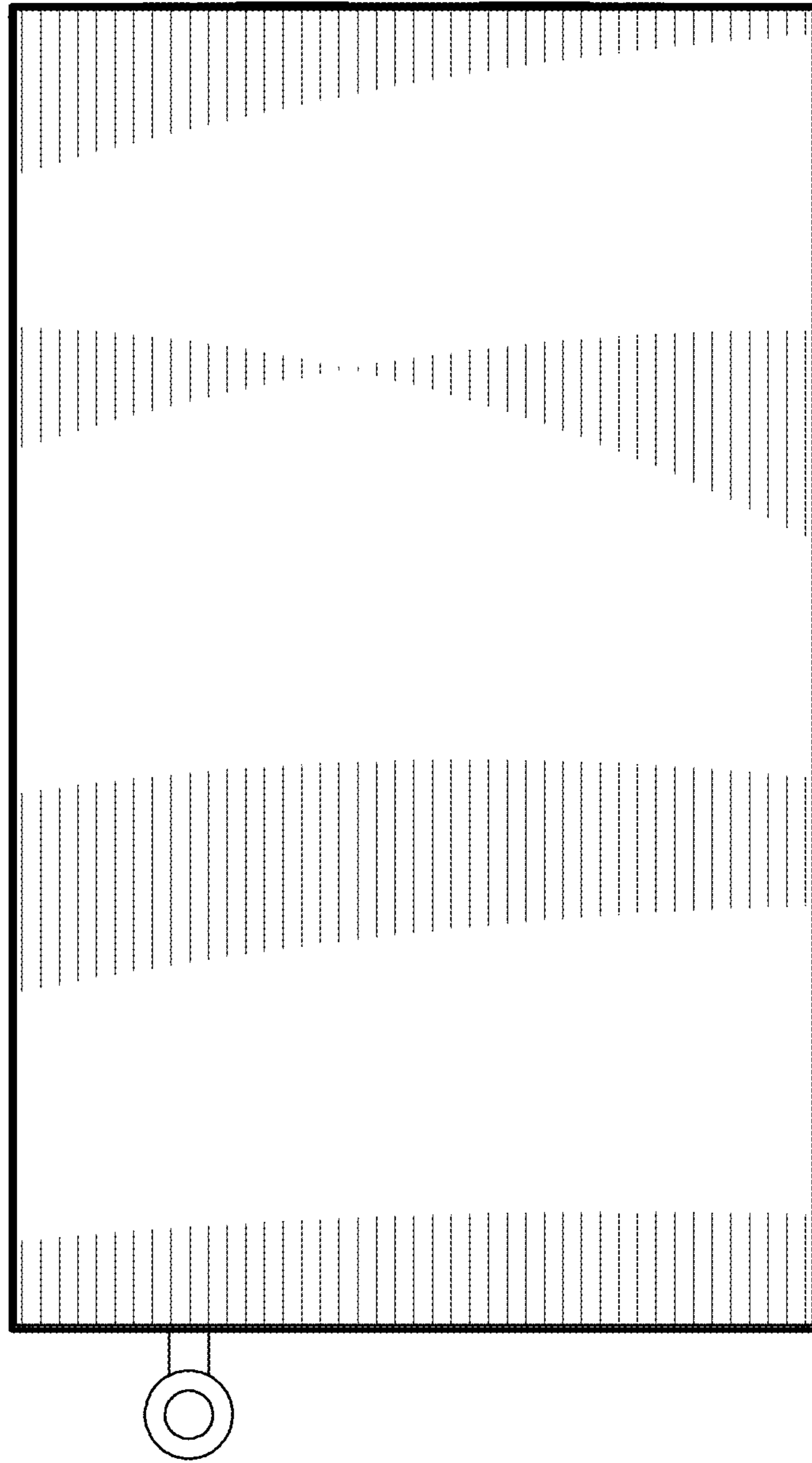


FIG. 16