



US00D802724S

(12) **United States Design Patent** (10) **Patent No.:** **US D802,724 S**  
**Schoenherr et al.** (45) **Date of Patent:** **\*\* Nov. 14, 2017**

(54) **WASH BASIN**

(71) Applicant: **HANSGROHE SE**, Schiltach (DE)

(72) Inventors: **Tom Schoenherr**, Stuttgart (DE);  
**Andreas Diefenbach**,  
Ludwigsburg-Oßweil (DE); **Yunwei**  
**Zhu**, Stuttgart (DE)

(73) Assignee: **Hansgrohe SE**, Schiltach (DE)

(\*\*) Term: **15 Years**

(21) Appl. No.: **29/560,004**

(22) Filed: **Apr. 1, 2016**

(30) **Foreign Application Priority Data**

Oct. 6, 2015 (EM) ..... 002811992

(51) **LOC (10) Cl.** ..... **23-02**

(52) **U.S. Cl.**  
USPC ..... **D23/284**

(58) **Field of Classification Search**  
USPC ..... D23/284, 293.1, 287-292, 303, 308;  
D9/425

CPC ..... A47K 1/04; A47B 77/06; A47J 47/20  
See application file for complete search history.

(56) **References Cited**

**U.S. PATENT DOCUMENTS**

D505,188 S \* 5/2005 Bayer ..... D23/293.1  
D549,806 S \* 8/2007 Taylor ..... D23/284

D655,798 S \* 3/2012 Miller ..... D23/284  
D656,228 S \* 3/2012 Booth ..... D23/293.1  
D663,389 S \* 7/2012 Miller ..... D23/293.1  
D682,998 S \* 5/2013 Eilmus ..... D23/284  
2017/0058497 A1\* 3/2017 Booth ..... A47B 77/06

**FOREIGN PATENT DOCUMENTS**

CN 303566204 S 1/2016

**OTHER PUBLICATIONS**

Top mount stainless single basin found online [Mar. 15, 2017]  
[http://www.ebay.com/itm/33-x-22-Top-Mount-Stainless-Steel-Handmade-Zero-Radius-4-Hole-Kitchen-Sink-Deep-/361564398473?hash=item542eeae389%3Ag%3AixQAAOSwQjZ-XPn%7EK.\\*](http://www.ebay.com/itm/33-x-22-Top-Mount-Stainless-Steel-Handmade-Zero-Radius-4-Hole-Kitchen-Sink-Deep-/361564398473?hash=item542eeae389%3Ag%3AixQAAOSwQjZ-XPn%7EK.*)

\* cited by examiner

*Primary Examiner* — Robert M Spear

*Assistant Examiner* — John Voytek

(74) *Attorney, Agent, or Firm* — Lora J. Graentzdoerffer

(57) **CLAIM**

The ornamental design for a wash basin, as shown and described.

**DESCRIPTION**

FIG. 1 is a perspective view of a wash basin showing our design; and,  
FIG. 2 is a top plan view.  
The broken-line disclosure in the view represents a portion of the article which forms no part of the claimed design.

**1 Claim, 2 Drawing Sheets**

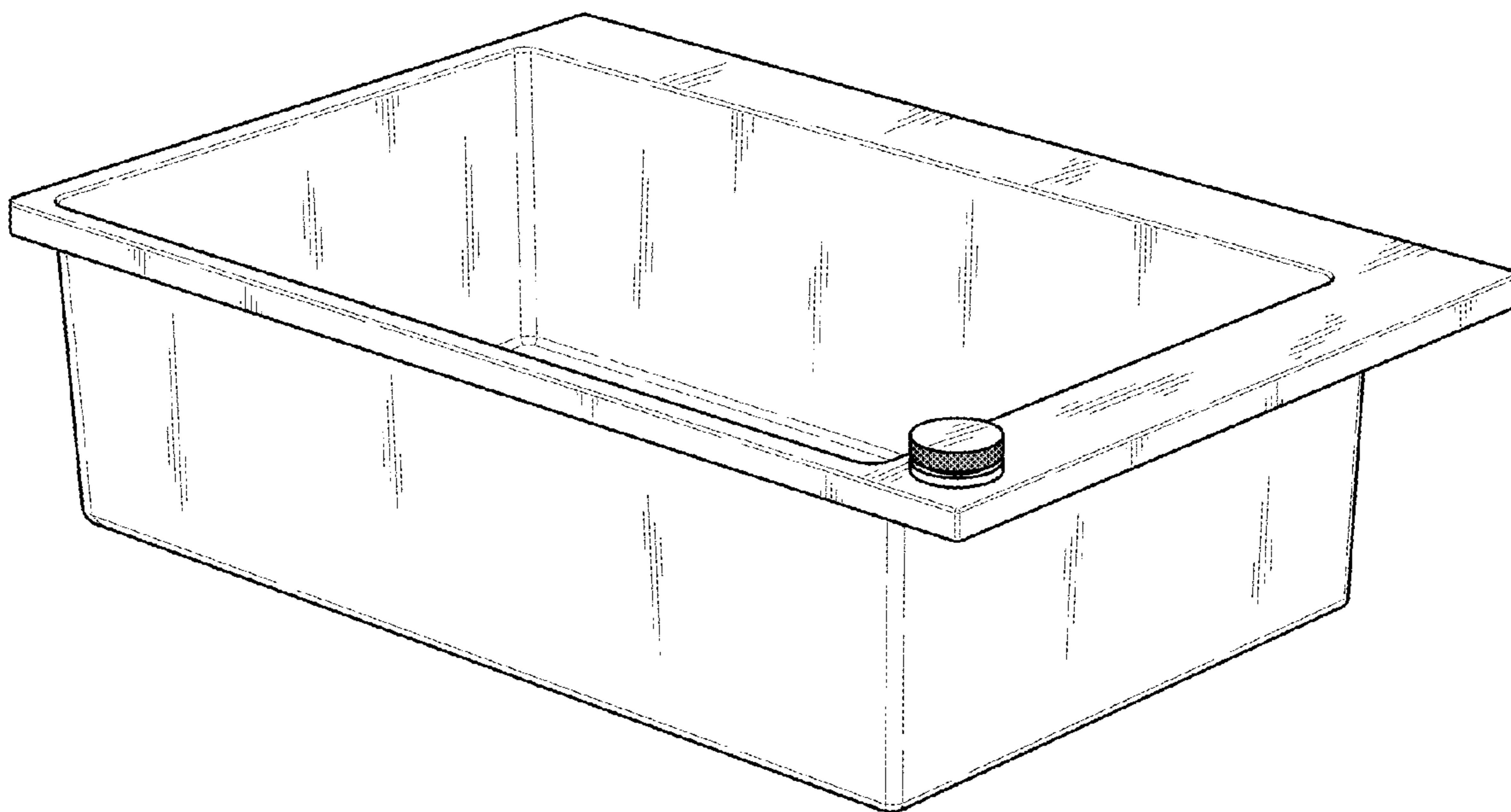


FIG. 1

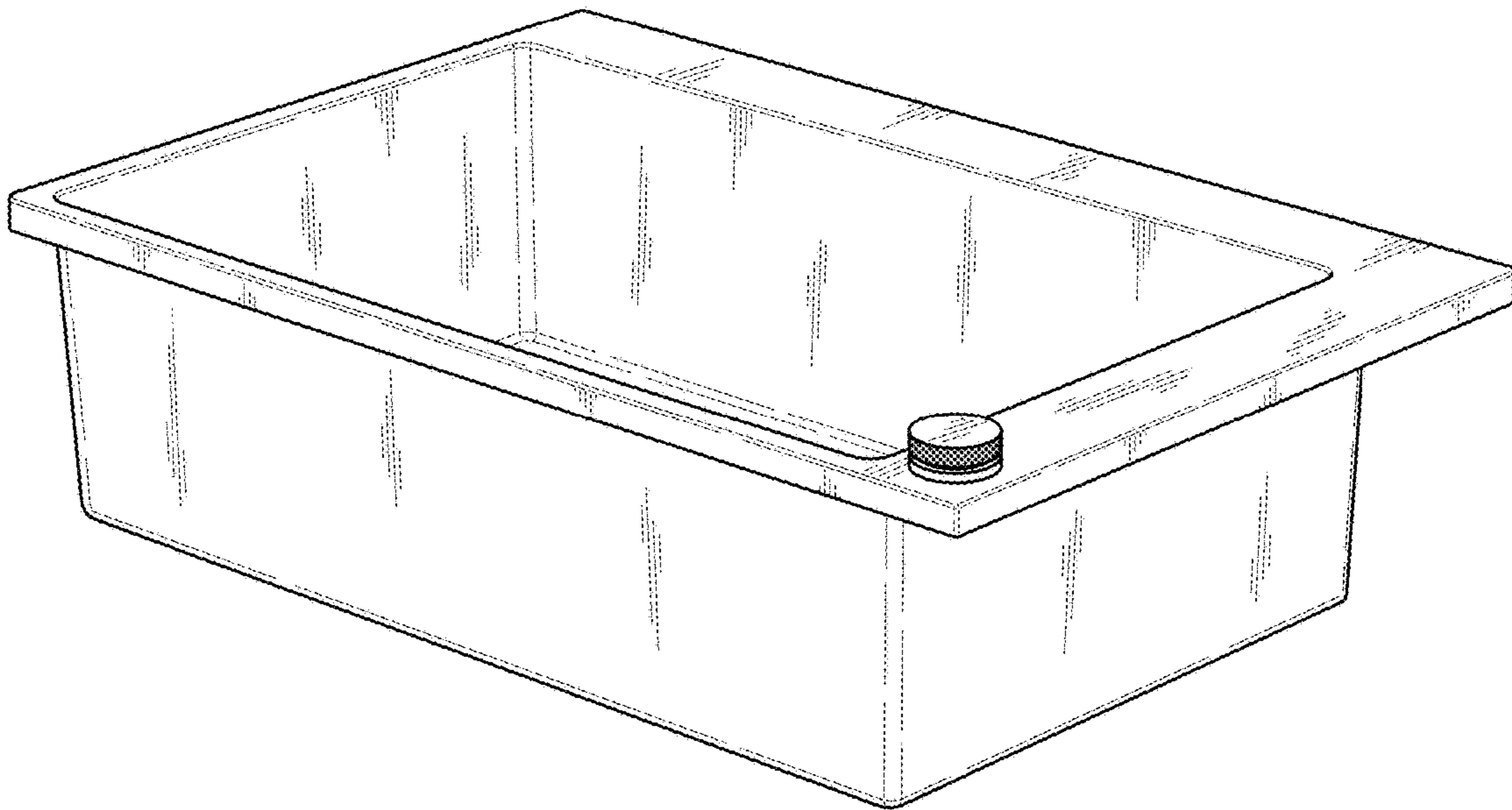


FIG. 2

