



US00D802722S

(12) **United States Design Patent**
Flowers et al.

(10) **Patent No.:** **US D802,722 S**

(45) **Date of Patent:** **** Nov. 14, 2017**

(54) **FAUCET**

(71) Applicant: **Grohe AG**, Hemer (DE)

(72) Inventors: **Paul Flowers**, London (GB); **Beguem Tomruk**, Duesseldorf (DE)

(73) Assignee: **Grohe AG**, Hemer (DE)

(**) Term: **15 Years**

(21) Appl. No.: **29/576,630**

(22) Filed: **Sep. 6, 2016**

(30) **Foreign Application Priority Data**

Mar. 4, 2016 (EM) 003012863-0001
Mar. 4, 2016 (EM) 003012863-0002
Mar. 4, 2016 (EM) 003012863-0005

(51) **LOC (10) Cl.** **23-01**

(52) **U.S. Cl.**
USPC **D23/252**

(58) **Field of Classification Search**
USPC D23/238-242, 249-250, 252, 254-255,
D23/257, 213, 223
CPC Y10T 137/9464
See application file for complete search history.

(56) **References Cited**

U.S. PATENT DOCUMENTS

D444,846 S * 7/2001 Cross D23/213
D479,309 S * 9/2003 Haug D23/238

D527,076 S * 8/2006 Kolin D23/241
D542,376 S * 5/2007 Blette D23/213
D576,707 S * 9/2008 Schonherr D23/238
D583,012 S * 12/2008 McGilloway D23/213
8,826,932 B2 * 9/2014 Seal E03C 1/04
137/119.04
D719,646 S * 12/2014 Melo D23/266

* cited by examiner

Primary Examiner — Robert A Delehanty

(74) *Attorney, Agent, or Firm* — Muncy, Geissler, Olds & Lowe, P.C.

(57) **CLAIM**

The ornamental design for a faucet, as shown and described.

DESCRIPTION

FIG. 1 is a front perspective view of a faucet according to the present invention.

FIG. 2 is a front view of the faucet of FIG. 1.

FIG. 3 is a rear view of the faucet of FIG. 1.

FIG. 4 is a left side view of the faucet of FIG. 1.

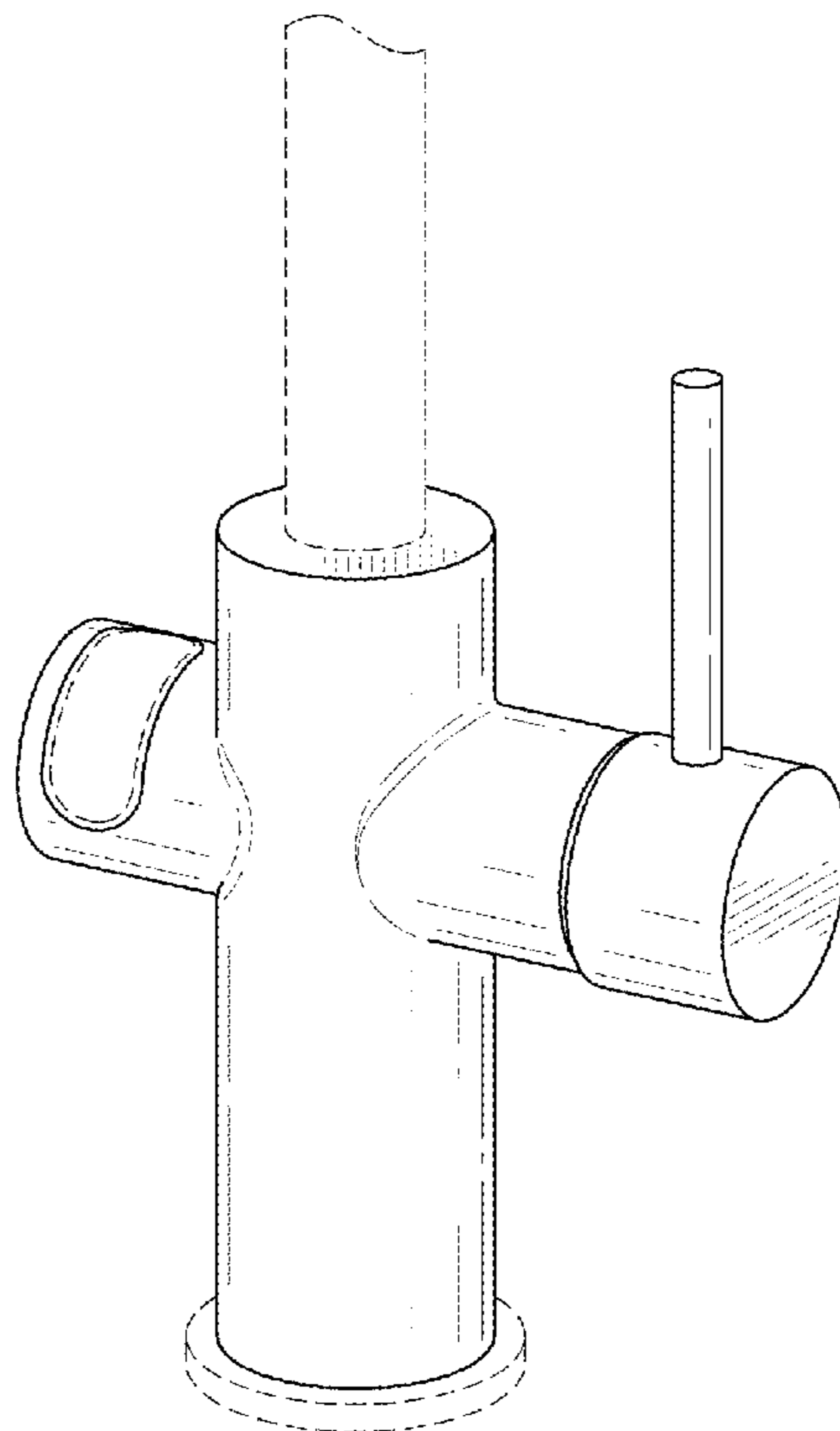
FIG. 5 is a right side view of the faucet of FIG. 1.

FIG. 6 is a top view of the faucet of FIG. 1; and,

FIG. 7 is a bottom view of the faucet of FIG. 1.

The dashed lines illustrate environment that does not form a part of the present invention, and no claim is made to the material illustrated with dashed lines.

1 Claim, 7 Drawing Sheets



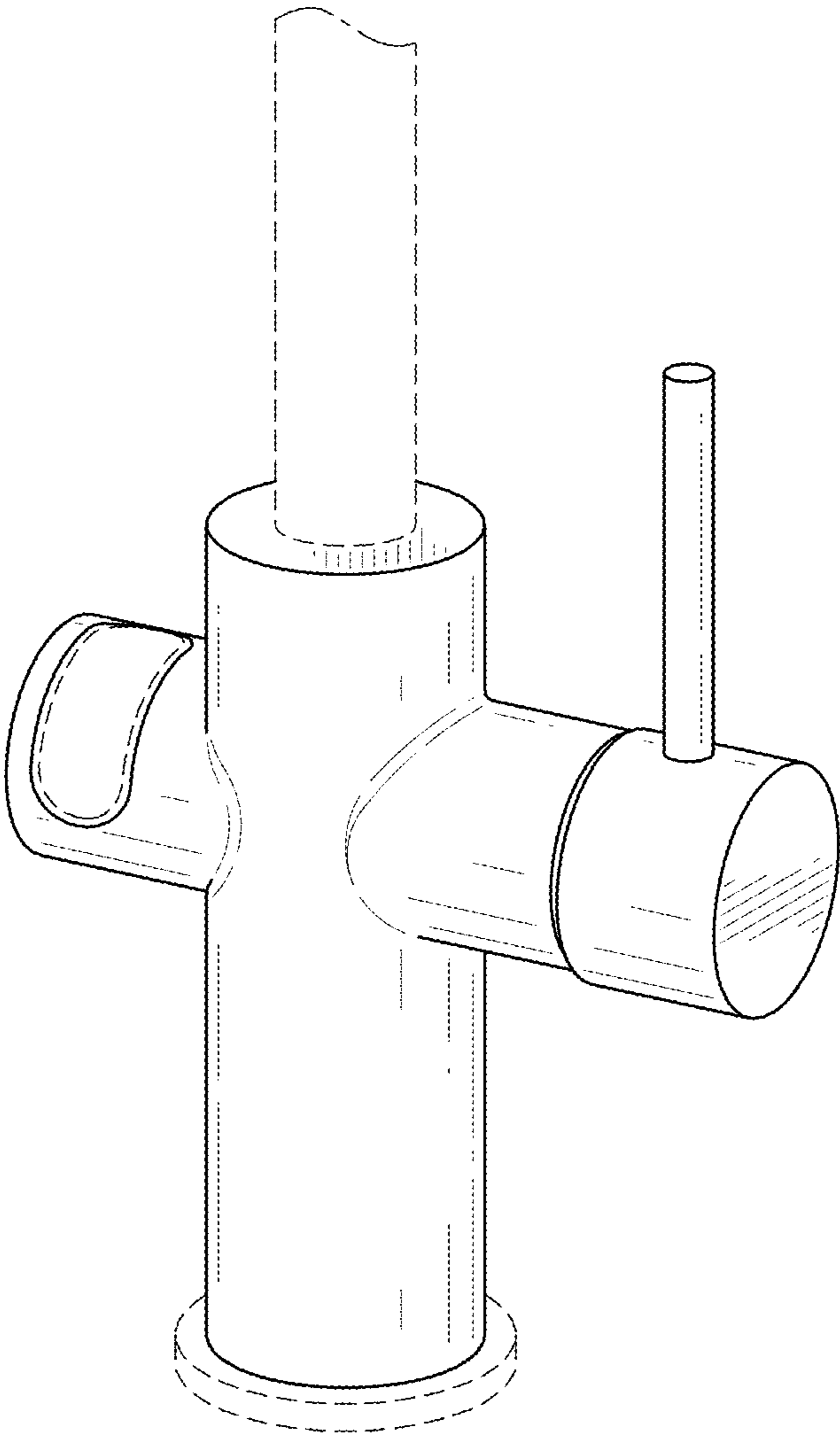


FIG. 1

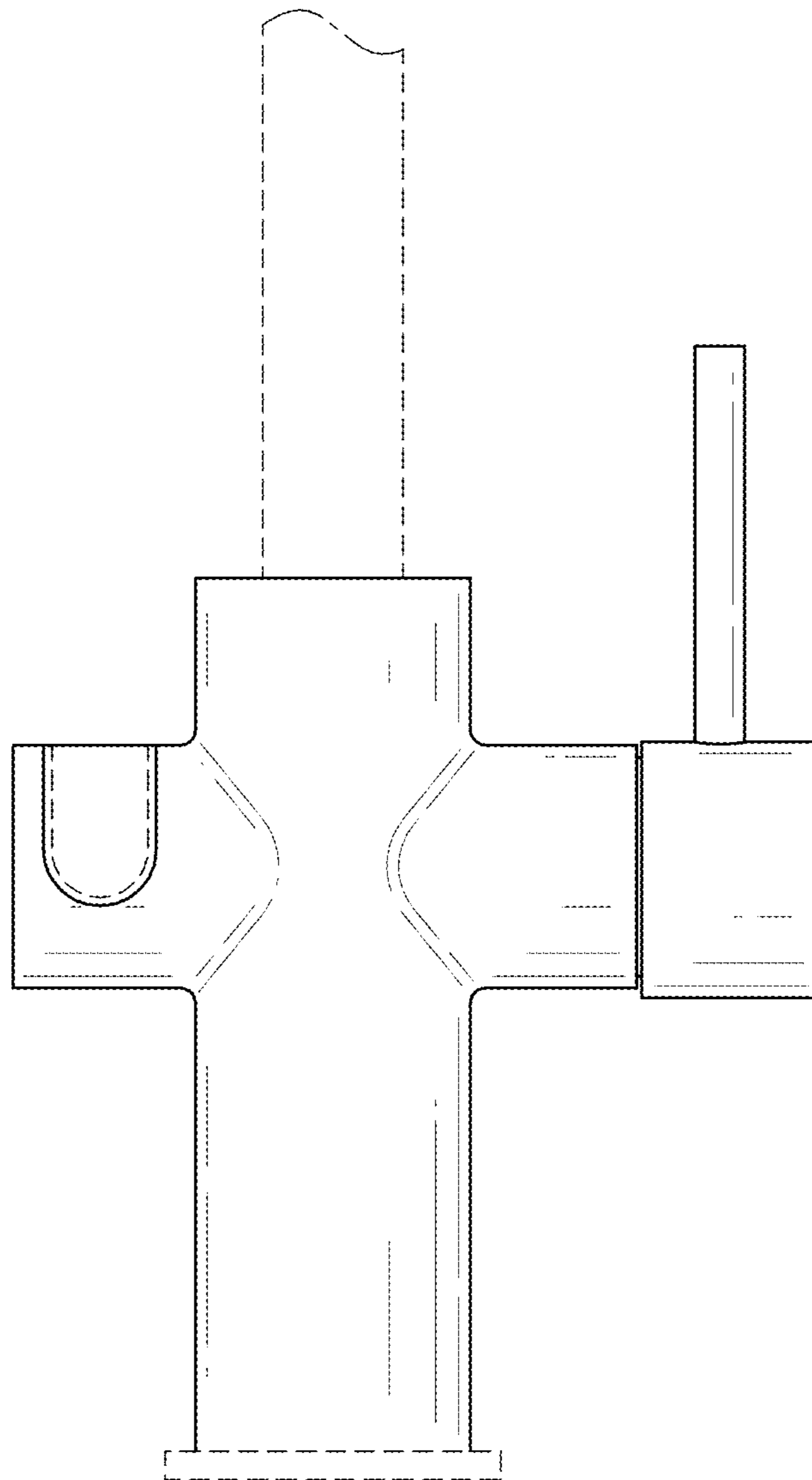


FIG.2

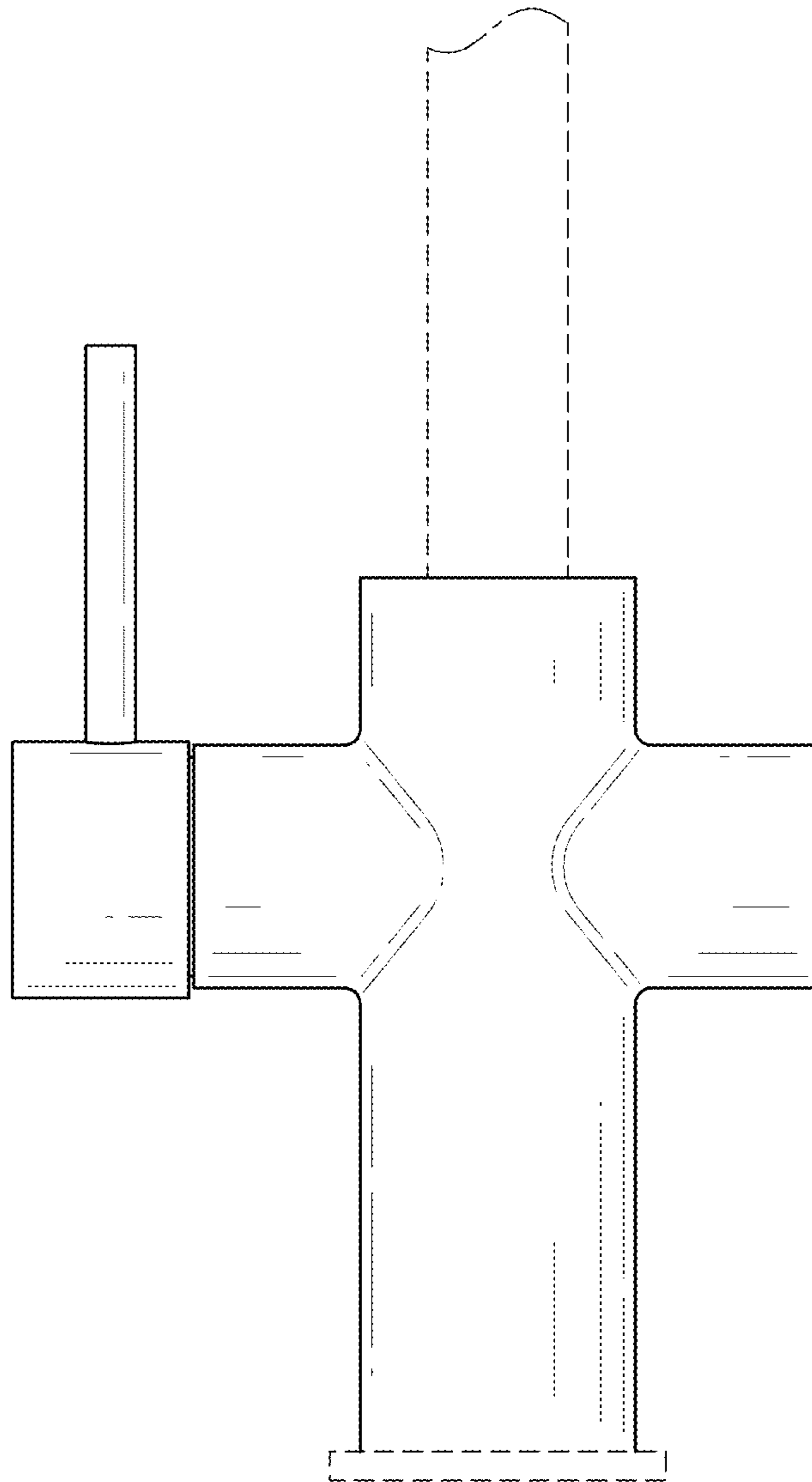


FIG.3

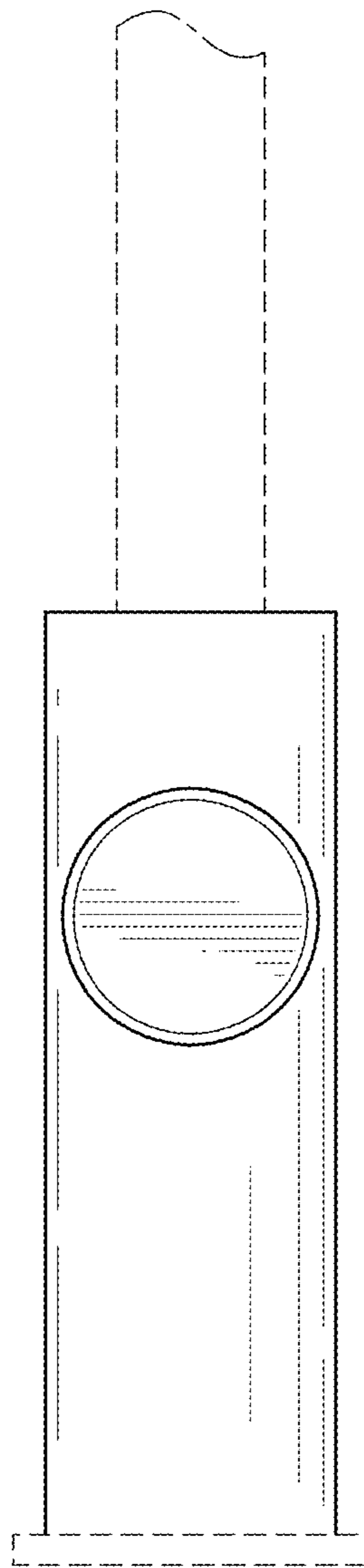


FIG.4

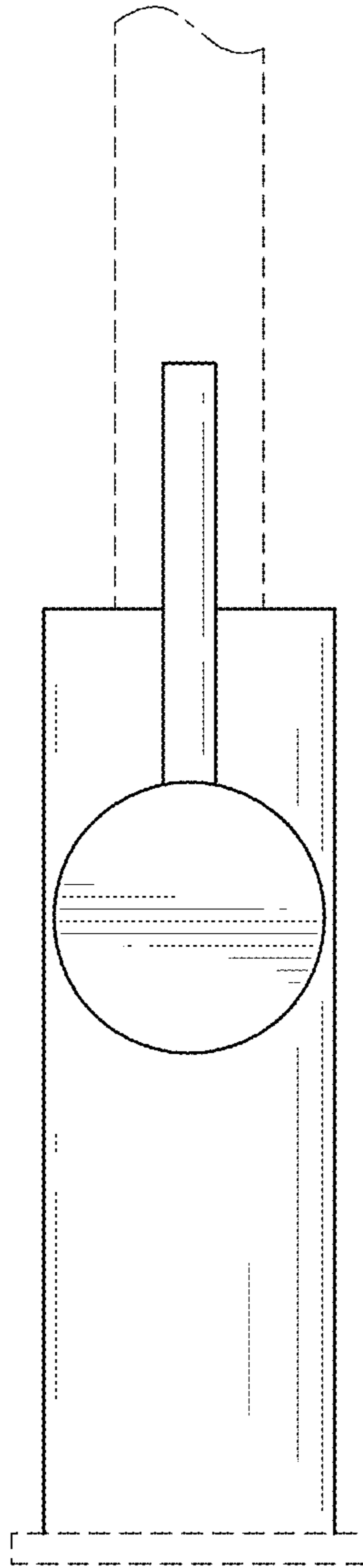


FIG.5

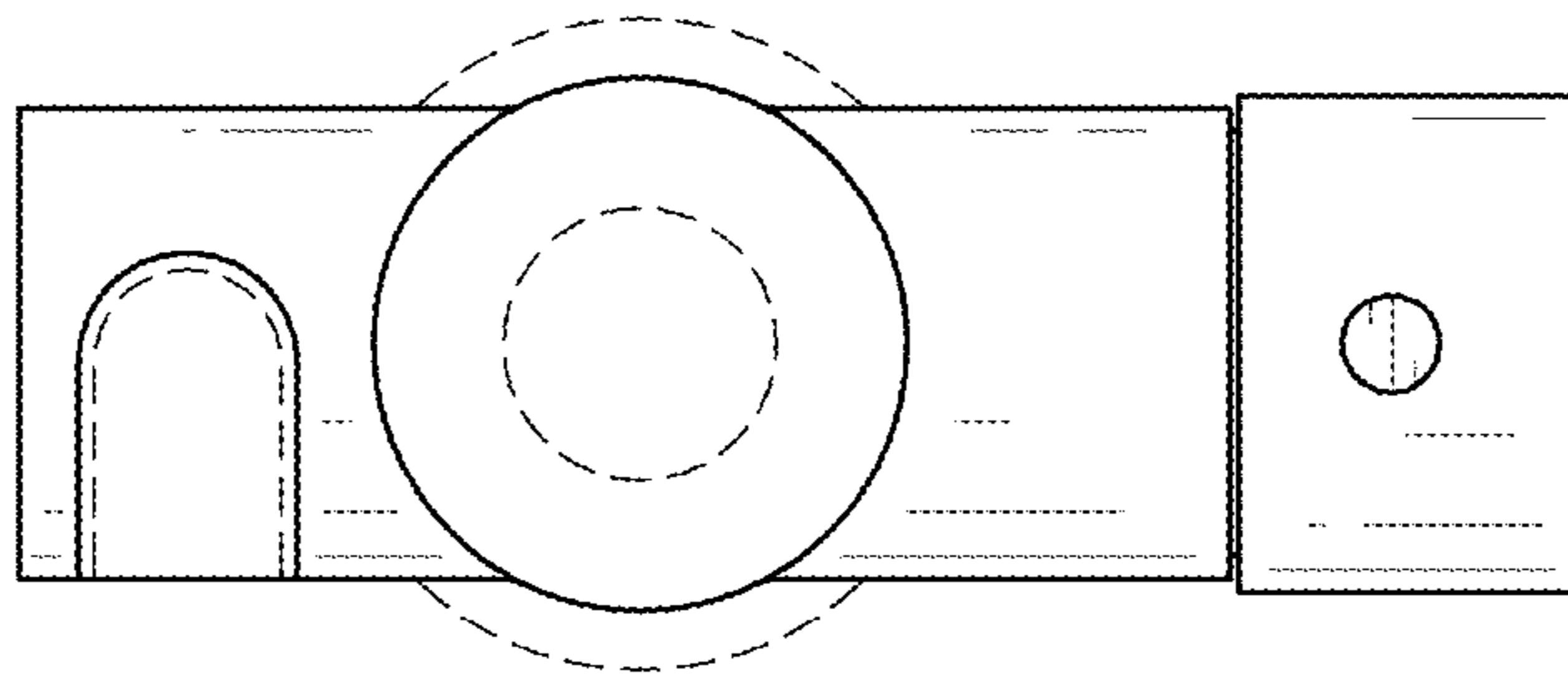


FIG.6

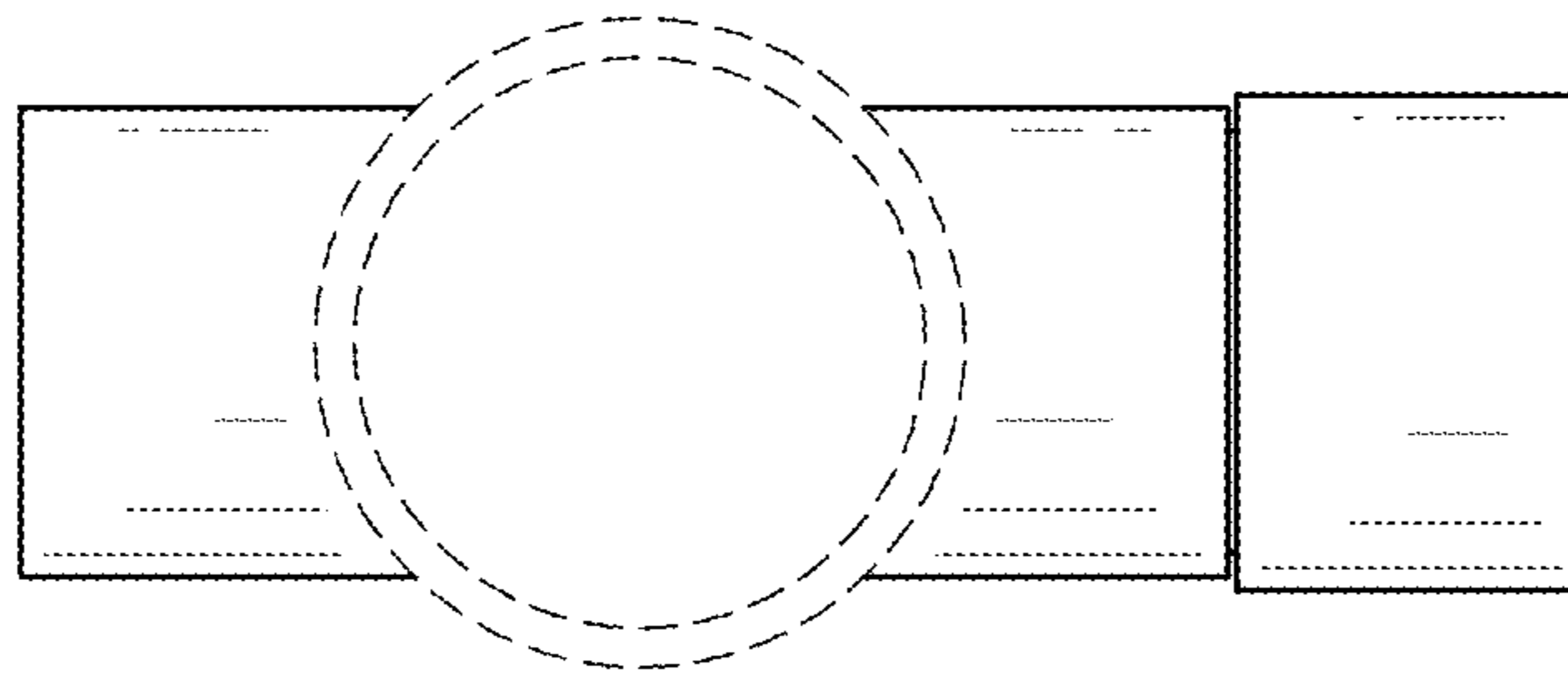


FIG. 7