



US00D802721S

(12) **United States Design Patent**
Downie

(10) **Patent No.:** **US D802,721 S**

(45) **Date of Patent:** **** Nov. 14, 2017**

(54) **VALVE**

(71) Applicant: **ADEY HOLDINGS (2008) LIMITED**,
Cheltenham, Gloucestershire (GB)

(72) Inventor: **Simon Downie**, Cheltenham (GB)

(73) Assignee: **ADEY HOLDINGS (2008) LIMITED**,
Cheltenham, Gloucestershire (GB)

(**) Term: **15 Years**

(21) Appl. No.: **35/500,853**

(22) Filed: **Mar. 24, 2016**

(80) **Hague Agreement Data**

Int. Filing Date: **Mar. 24, 2016**

Int. Reg. No.: **DM/090137**

Int. Reg. Date: **Mar. 24, 2016**

Int. Reg. Pub. Date: **Apr. 22, 2016**

(30) **Foreign Application Priority Data**

Sep. 26, 2015 (GB) 4043417

(51) **LOC (10) Cl.** **23-01**

(52) **U.S. Cl.**
USPC **D23/245**

(58) **Field of Classification Search**

USPC D23/233, 235, 239, 241, 242, 245;
210/203, 348, 650, 777, 799; D7/400

CPC C02F 1/00; C02F 1/44; C02F 1/001; C02F
1/441; C02F 1/444; B10D 35/30; B10D
46/10; B10D 46/0012; B10D 65/08;
B10D 66/304; B10D 66/5412; B10D
66/73921; B10D 69/02; B10D 2311/04

See application file for complete search history.

(56) **References Cited**

U.S. PATENT DOCUMENTS

D486,204 S *	2/2004	Tripp	D23/245
D497,976 S *	11/2004	Goetz	D23/245
D499,172 S *	11/2004	Tripp	D23/245
D505,184 S *	5/2005	Trappa	D23/245
D516,678 S *	3/2006	Tripp	D23/245
D701,945 S *	4/2014	Mitsuoka	D23/245
D736,896 S *	8/2015	Nishimura	D23/233
D750,744 S *	3/2016	Liljeqvist	D23/233
D755,348 S *	5/2016	Mitsuoka	D23/233

* cited by examiner

Primary Examiner — Keli L Hill

(74) *Attorney, Agent, or Firm* — Michael E. Dockins;
Shumaker, Loop & Kendrick, LLC

(57) **CLAIM**

The ornamental design for a valve, as shown and described.

DESCRIPTION

1. Valve

1.1 is a rear elevation view of a valve having a handle shown in a first position.

1.2 is a top plan view of the valve with the handle shown in the first position.

1.3 is a bottom plan view of the valve with the handle shown in the first position.

1.4 is a left side elevation view of the valve with the handle shown in the first position.

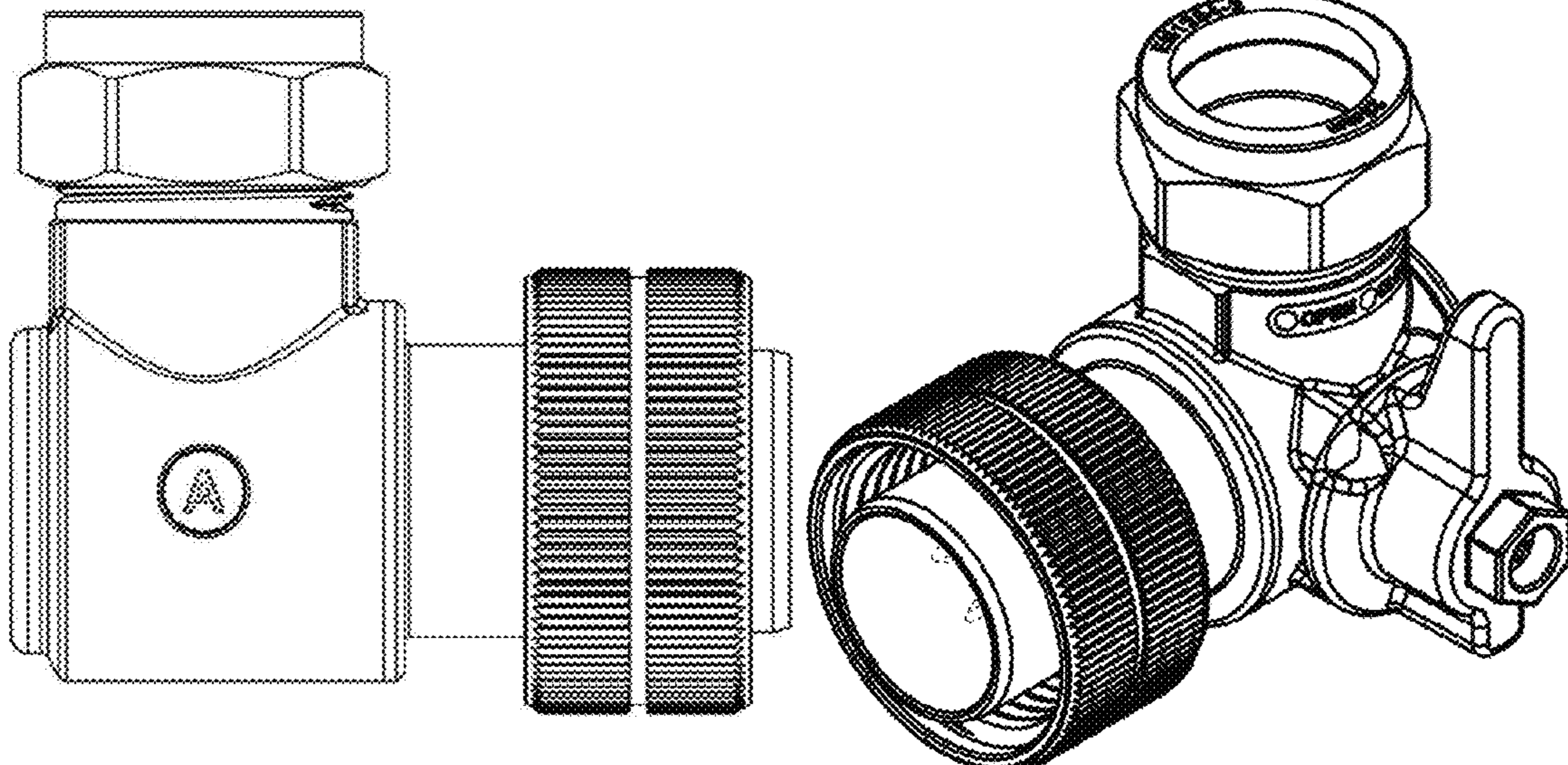
1.5 is a front elevation view of the valve with the handle shown in the first position.

1.6 is a top, front, right side perspective view of the valve with the handle shown in an alternative second position.

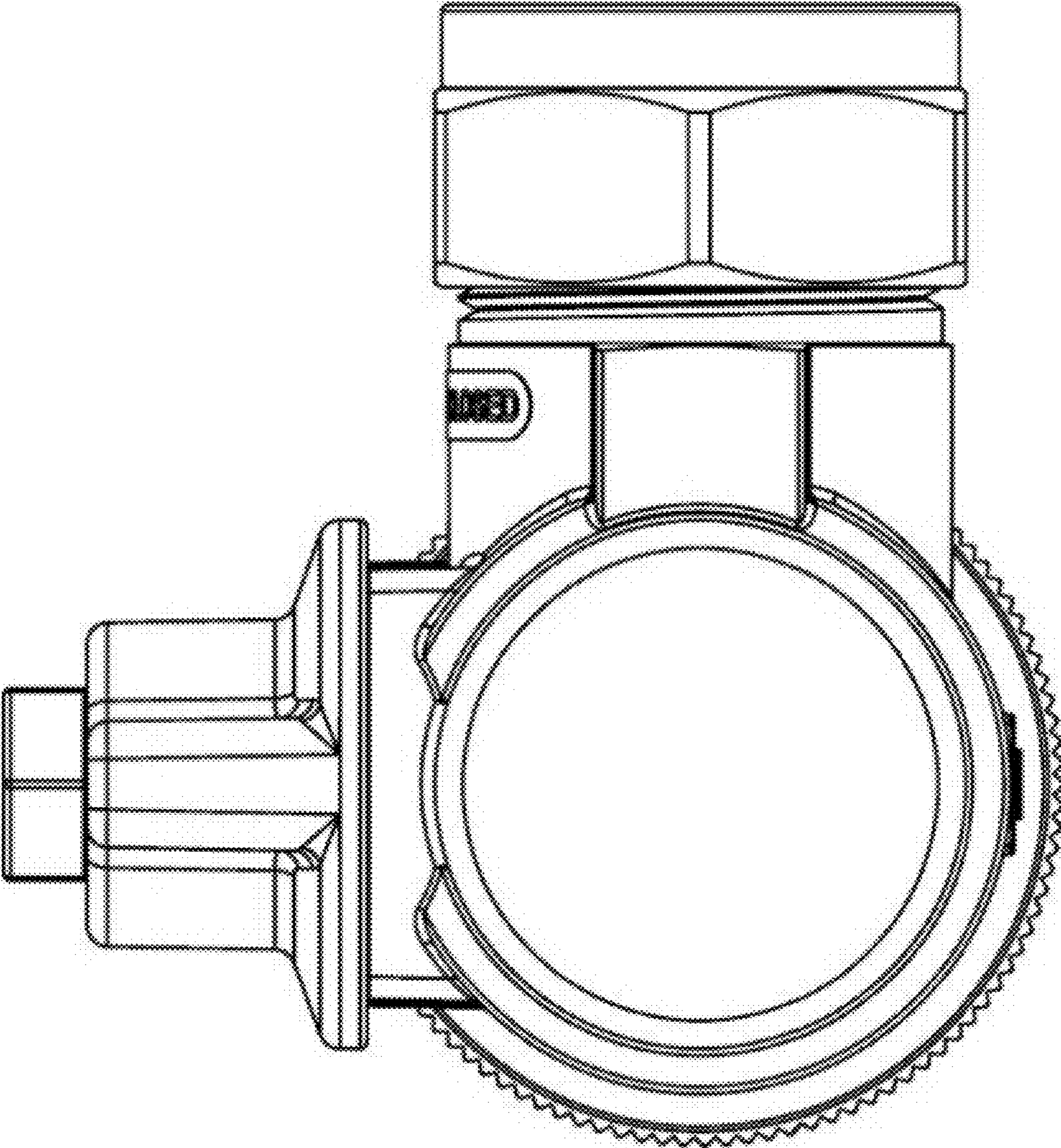
1.7 is a top, front, right side perspective view of the valve with the handle shown in the first position.

The broken lines shown in the drawings represent unclaimed portions of the valve and form no part of the claimed design.

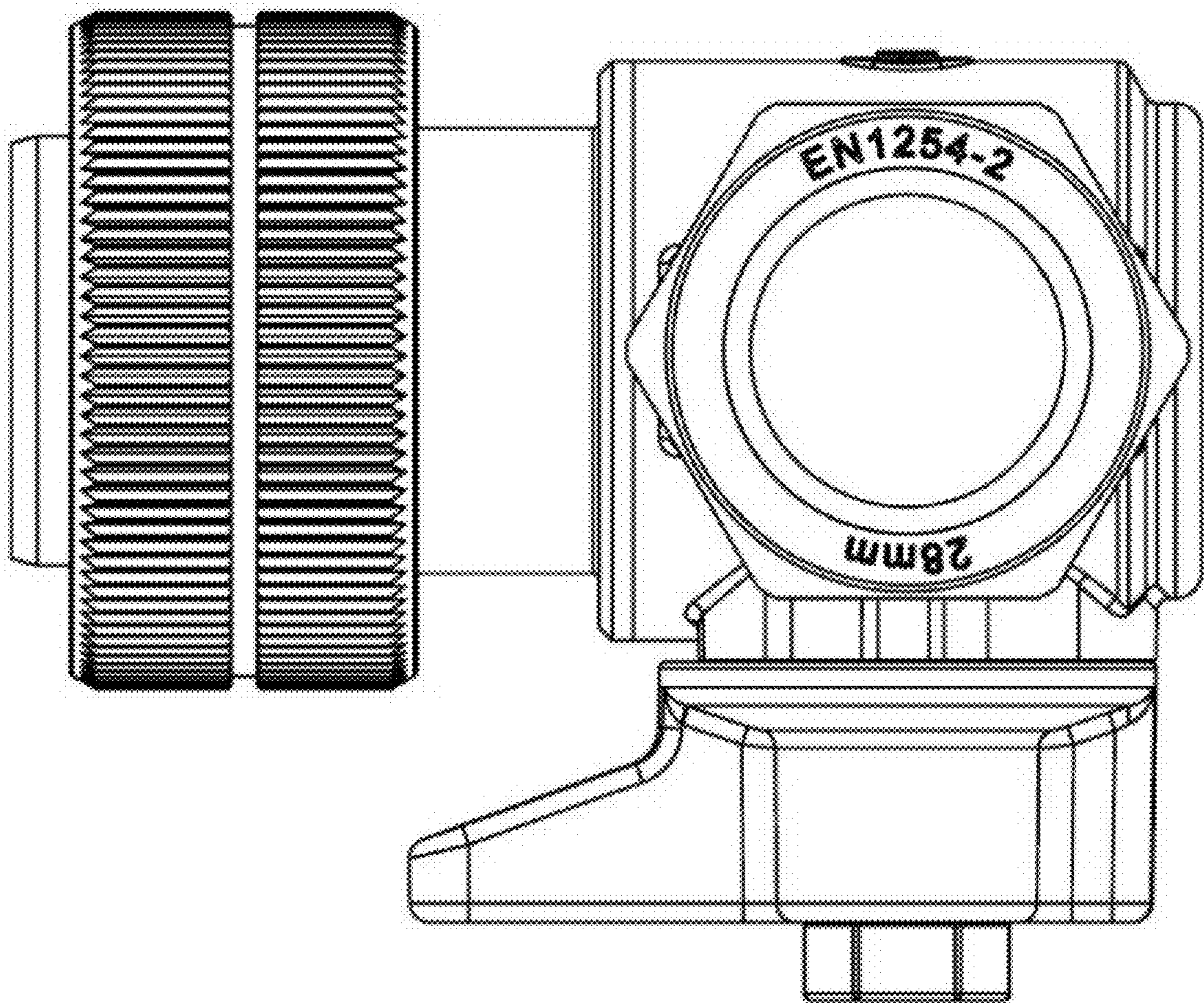
1 Claim, 7 Drawing Sheets



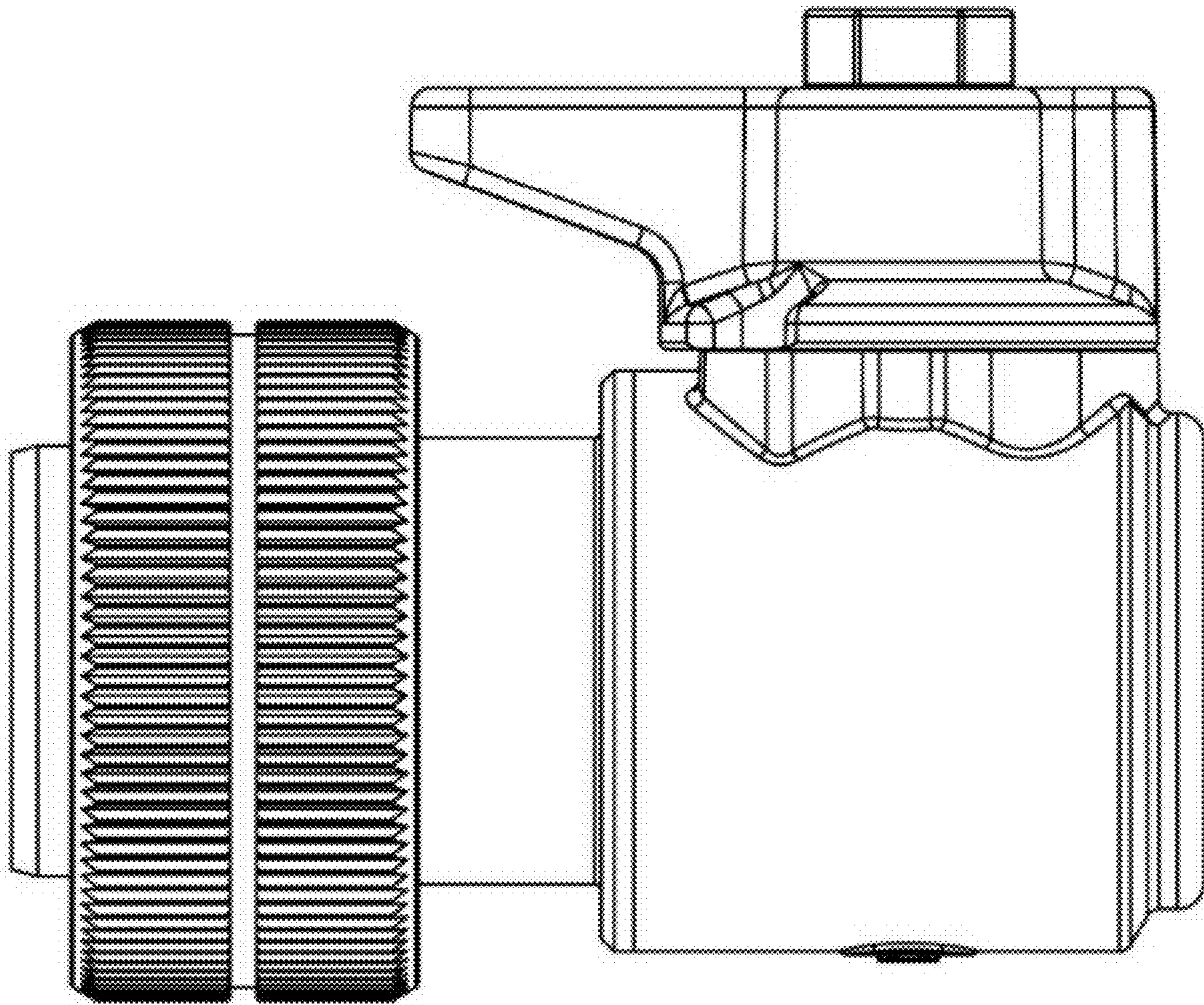
1.1



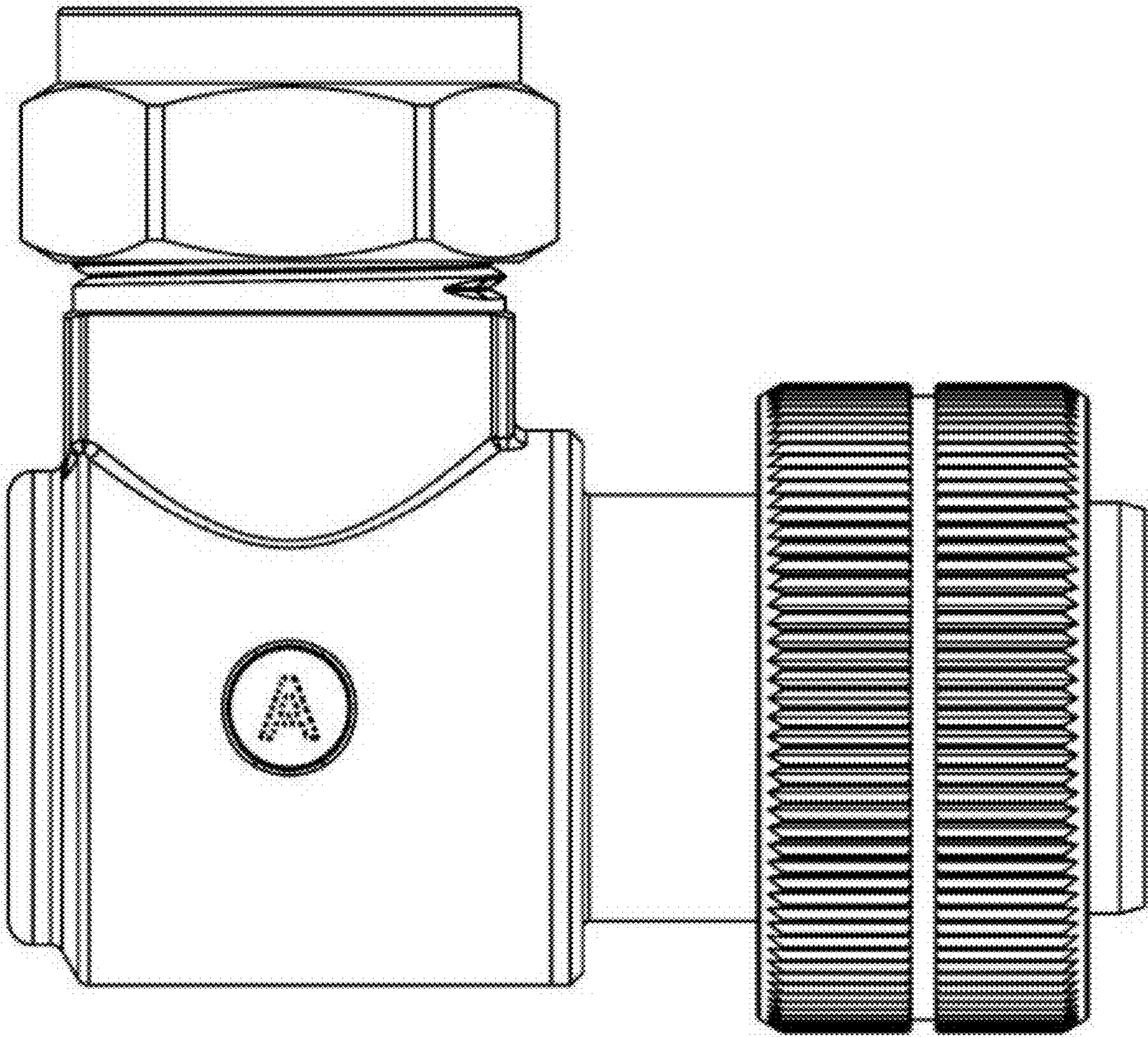
1.2



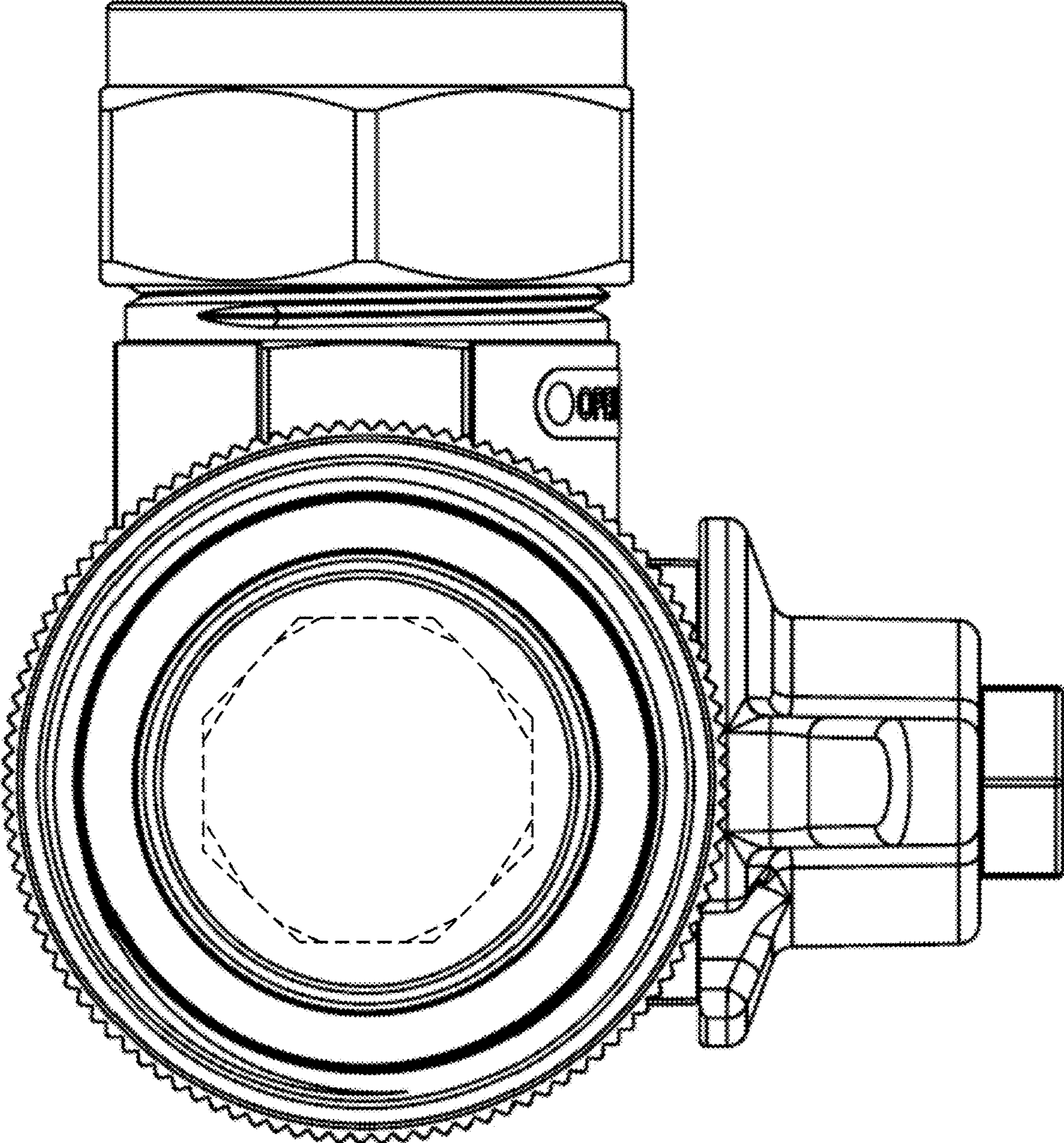
1.3



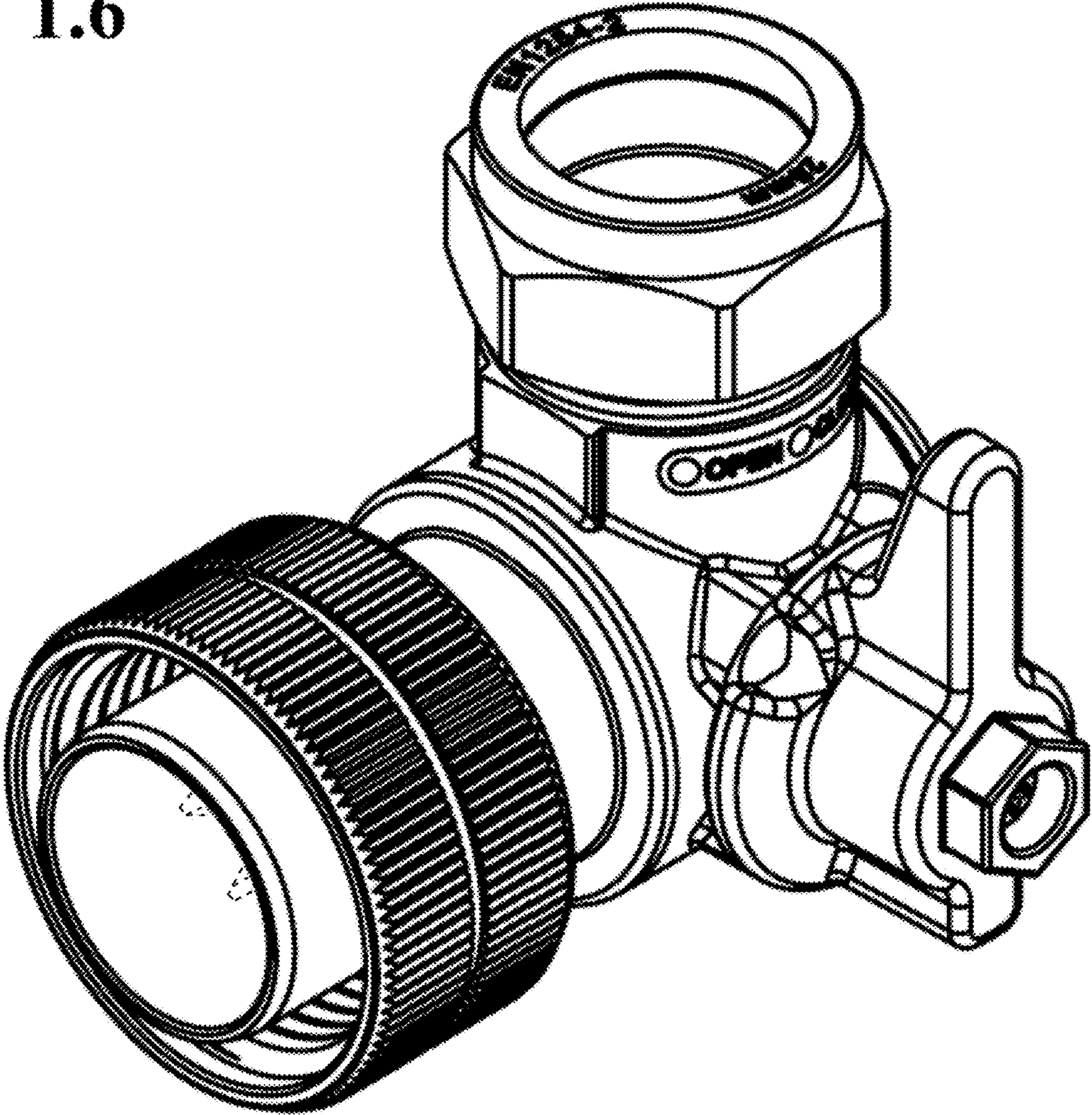
1.4



1.5



1.6



1.7

