



US00D802720S

(12) **United States Design Patent**
Haug et al.

(10) **Patent No.:** **US D802,720 S**
(45) **Date of Patent:** **** Nov. 14, 2017**

(54) **FAUCET**

FOREIGN PATENT DOCUMENTS

(71) Applicant: **Hansgrohe SE**, Schiltach (DE)

CN 302527709 8/2013
EM 000725841-0035 5/2007

(72) Inventors: **Andreas Haug**, Stuttgart (DE); **Yunwei Zhu**, Stuttgart (DE); **Erkan Bilgic**, Stuttgart (DE)

* cited by examiner

(73) Assignee: **Hansgrohe SE**, Schiltach (DE)

Primary Examiner — Robert A Delehanty

(**) Term: **15 Years**

(74) *Attorney, Agent, or Firm* — Lora J. Graentzdoerffer

(21) Appl. No.: **29/585,606**

(57) **CLAIM**

(22) Filed: **Nov. 28, 2016**

The ornamental design for a faucet, as shown and described.

(30) **Foreign Application Priority Data**

May 31, 2016 (EM) 003164383-0009

DESCRIPTION

(51) **LOC (10) Cl.** **23-01**

(52) **U.S. Cl.**
USPC **D23/238**

(58) **Field of Classification Search**
USPC D23/238-242, 249-250, 252, 254-255,
D23/257; D8/307-308

CPC Y10T 137/9464
See application file for complete search history.

FIG. 1 is a perspective view of a faucet showing our design;
FIG. 2 is a front elevation view;
FIG. 3 is a rear elevation view;
FIG. 4 is a right side elevation view
FIG. 5 is a left side elevation view;
FIG. 6 is a top plan view; and,
FIG. 7 is a bottom plan view.

(56) **References Cited**

U.S. PATENT DOCUMENTS

D520,114 S * 5/2006 Starck D23/238
D596,715 S * 7/2009 Haug D23/254
D735,298 S * 7/2015 Eads D23/238
D786,404 S * 5/2017 Kaule D23/238

The broken-line disclosure in the views represents portions of the faucet in which the claimed design is embodied, but which forms no part of the claimed design.

1 Claim, 7 Drawing Sheets

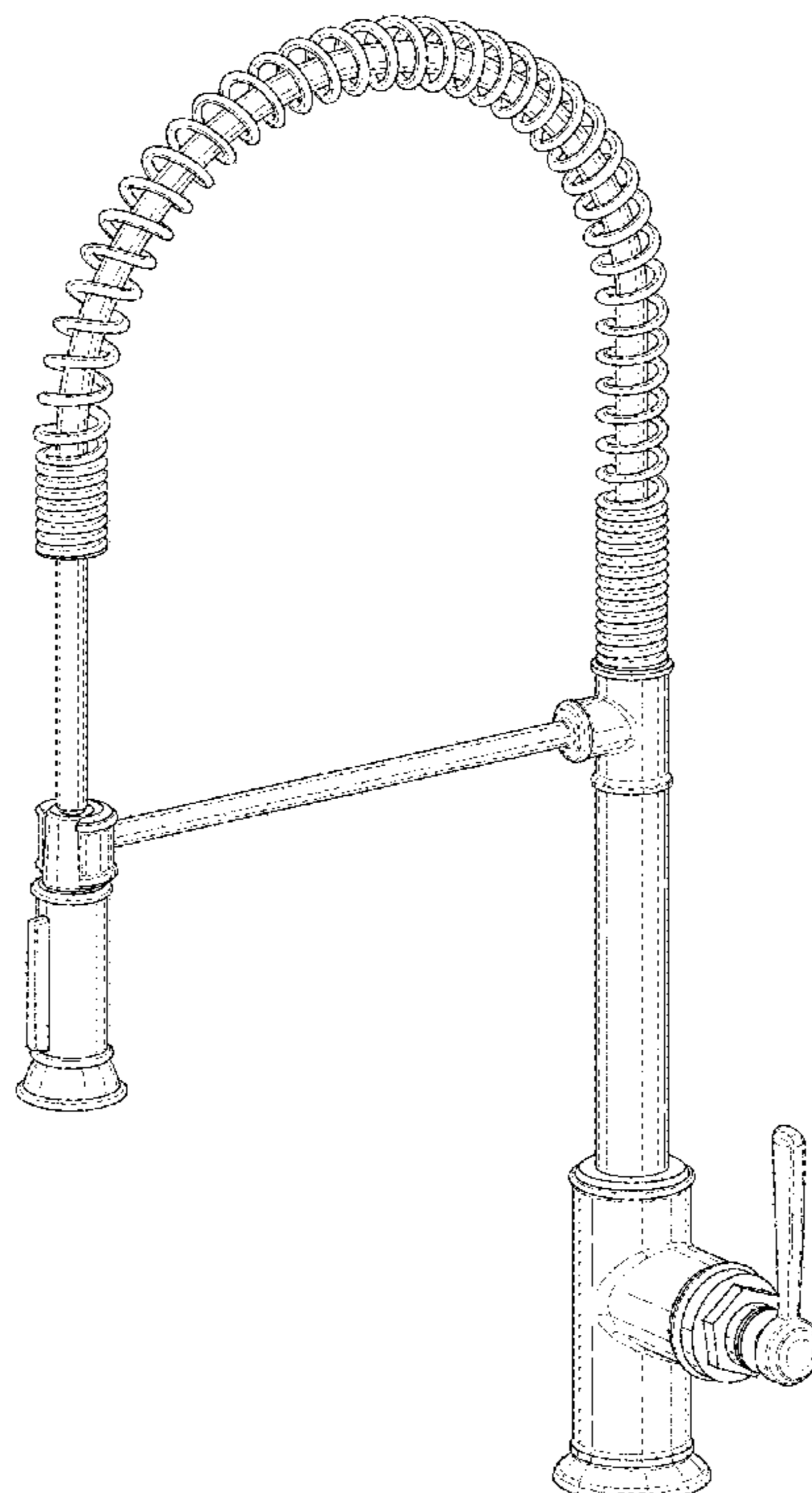


FIG. 1

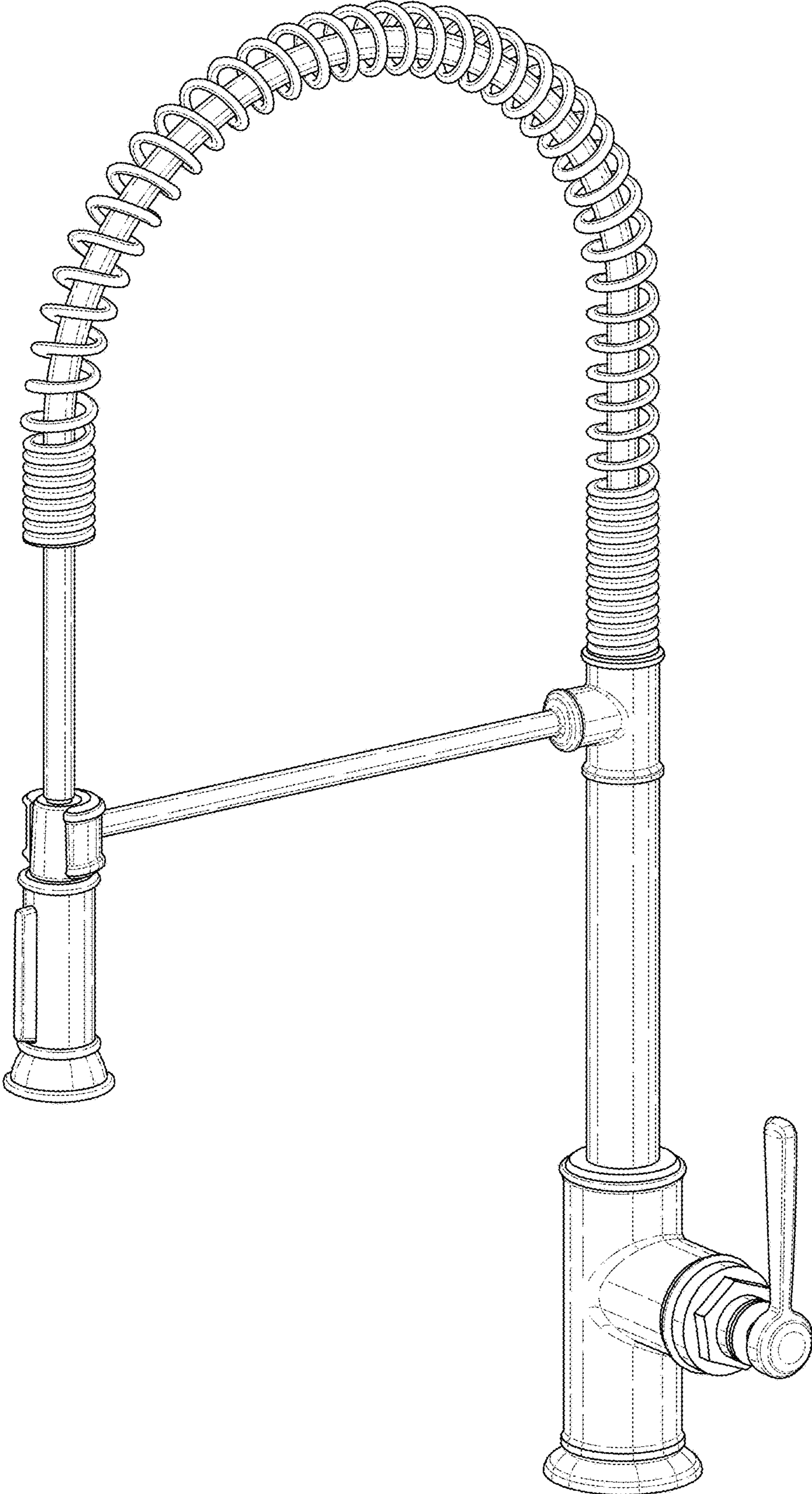


FIG. 2

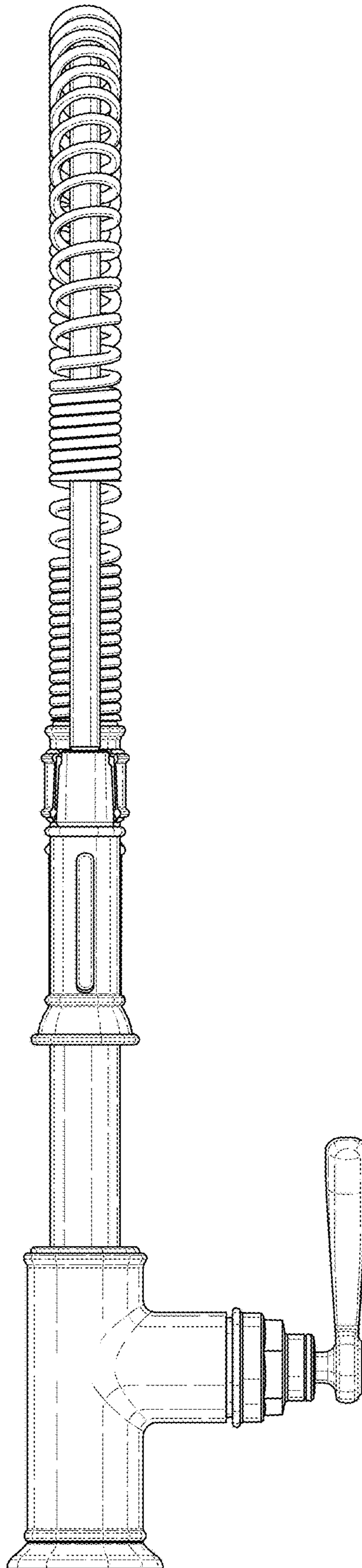


FIG. 3

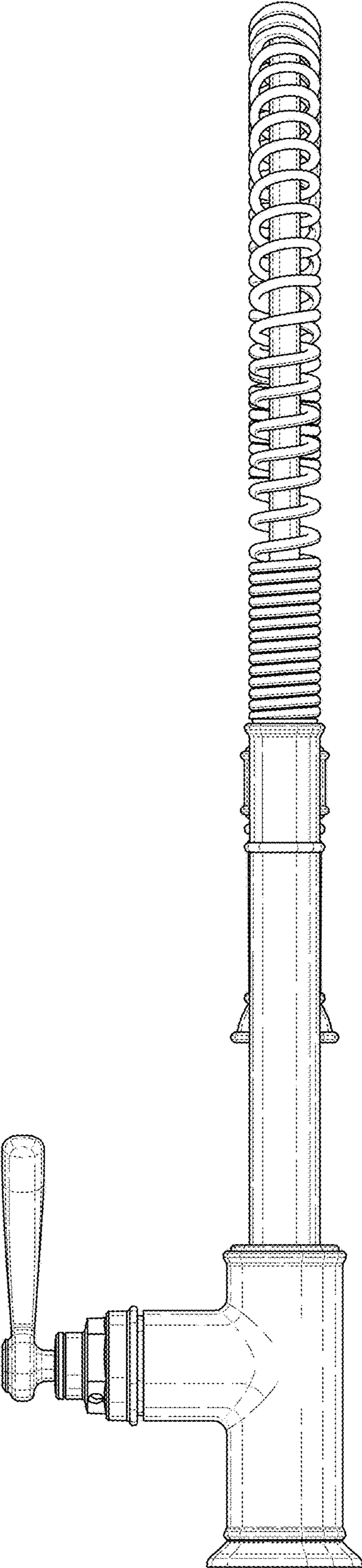


FIG. 4

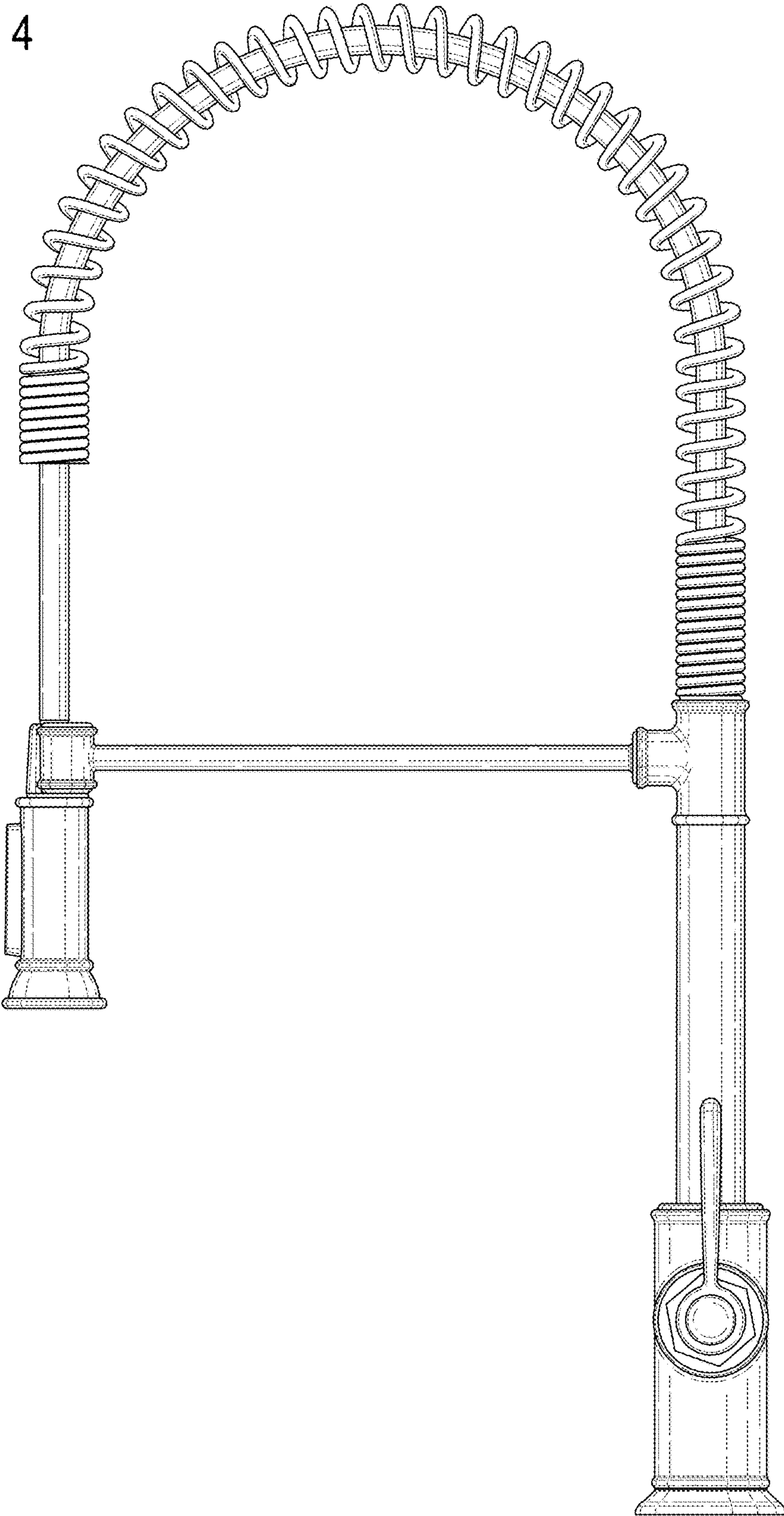


FIG. 5

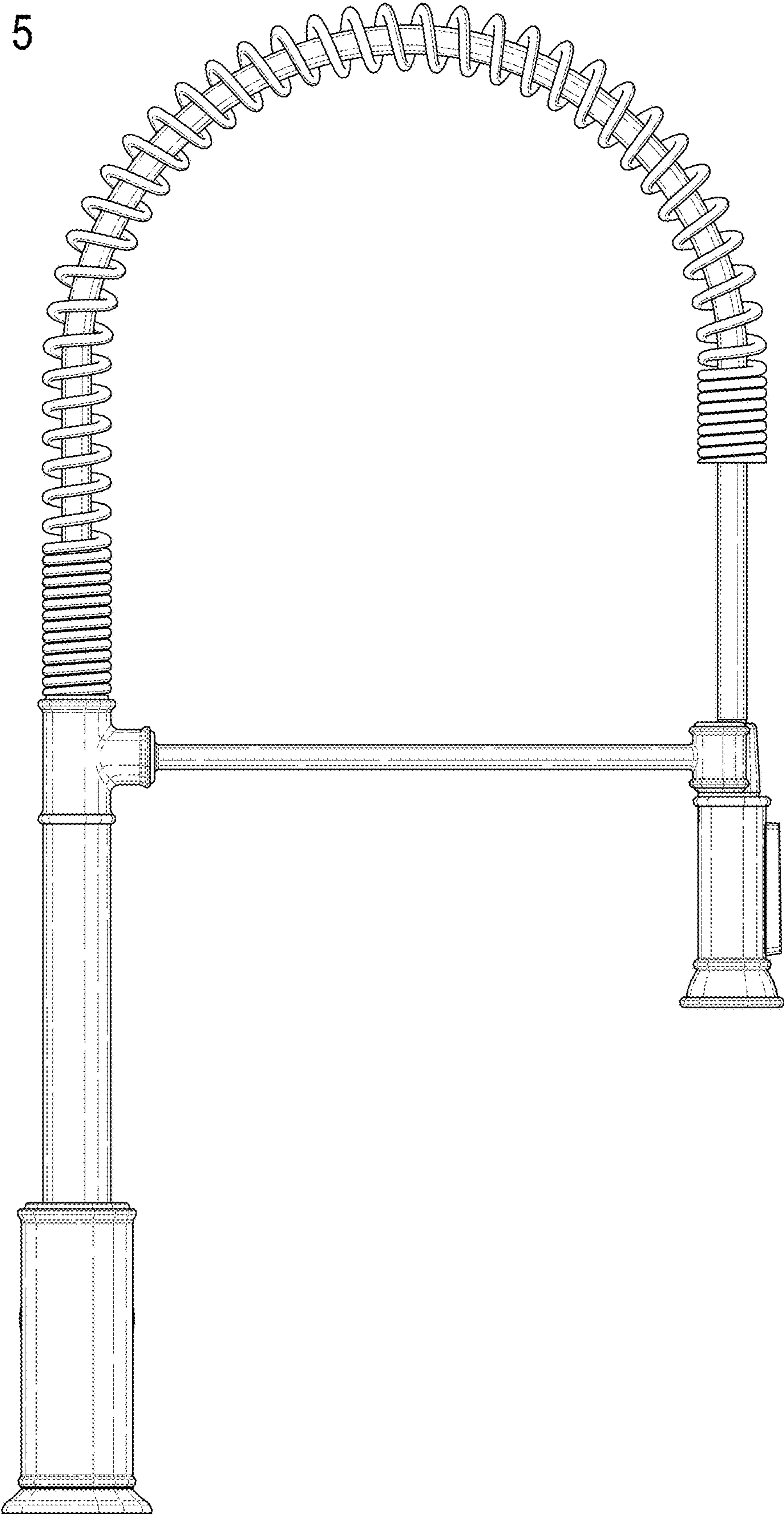


FIG. 6

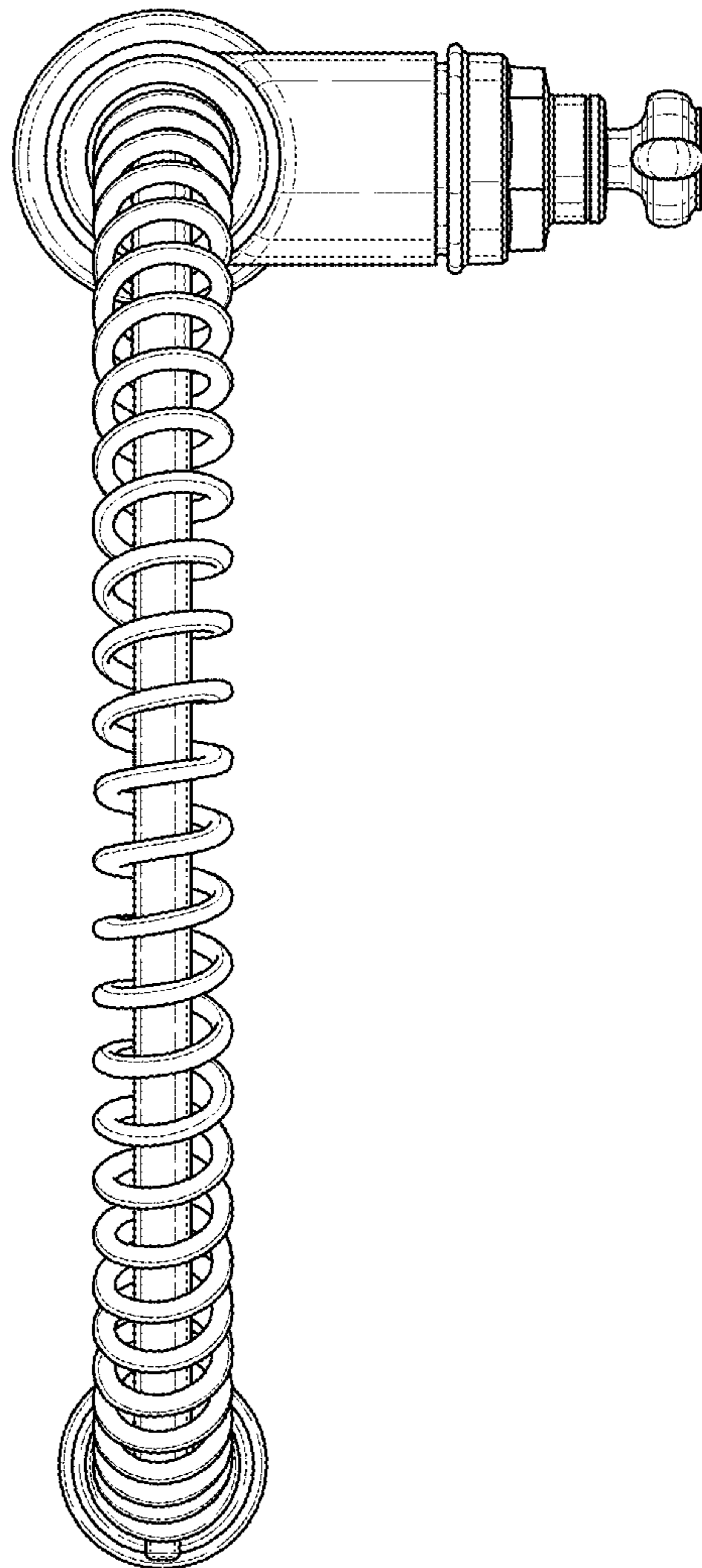


FIG. 7

