



US00D802718S

(12) **United States Design Patent** (10) **Patent No.:** **US D802,718 S**
Kainuma et al. (45) **Date of Patent:** **** Nov. 14, 2017**

- (54) **VALVE**
- (71) Applicant: **FUJIKOKI CORPORATION**, Tokyo (JP)
- (72) Inventors: **Hiroshi Kainuma**, Tokyo (JP);
Masashi Hayasaka, Tokyo (JP);
Shotaro Amaike, Tokyo (JP); **Yasushi Kojima**, Tokyo (JP)
- (**) Term: **15 Years**
- (21) Appl. No.: **35/501,101**
- (22) Filed: **May 31, 2016**
- (80) **Hague Agreement Data**
 Int. Filing Date: **May 31, 2016**
 Int. Reg. No.: **DM/090931**
 Int. Reg. Date: **May 31, 2016**
 Int. Reg. Pub. Date: **Jun. 17, 2016**
- (51) **LOC (10) Cl.** **23-01**
- (52) **U.S. Cl.**
 USPC **D23/233**
- (58) **Field of Classification Search**
 USPC D23/233, 321, 421
 CPC F16K 31/0675; F16K 27/029; F16K 31/02;
 F16K 31/082; F16K 27/048; F16K 11/24
 See application file for complete search history.
- (56) **References Cited**

U.S. PATENT DOCUMENTS

D416,309 S *	11/1999	Hayashi	D23/233
D542,888 S *	5/2007	Ye	D23/233
D615,618 S *	5/2010	Someya	D23/233
D633,985 S *	3/2011	Spadotto	D23/233
D686,698 S *	7/2013	Iwata	D23/233
D689,594 S *	9/2013	Kumakura	D23/233
D693,903 S *	11/2013	Tamura	D23/233

D699,815 S *	2/2014	Petersen	D23/233
D708,303 S *	7/2014	Gehrling	D23/233
D712,010 S *	8/2014	Okutsu	D23/233
D712,513 S *	9/2014	Kainuma	D23/233
D723,660 S *	3/2015	Hatta	D23/233
D725,231 S *	3/2015	Doi	D23/233
D728,748 S *	5/2015	Gehrling	D23/233
D731,620 S *	6/2015	Galle	D23/233
D736,889 S *	8/2015	Nishiyama	D23/233
D736,892 S *	8/2015	Iwamoto	D23/233
D738,464 S *	9/2015	Yoshida	D23/233
D738,465 S *	9/2015	Yoshida	D23/233
D738,466 S *	9/2015	Yoshida	D23/233
D740,918 S *	10/2015	Morodomi	D23/233
9,194,510 B2 *	11/2015	Arai	F16K 31/406
D753,796 S *	4/2016	Suematsu	D23/233
D753,797 S *	4/2016	Suematsu	D23/233
D757,899 S *	5/2016	Fulkerson	D23/233
D758,540 S *	6/2016	Shishido	D23/233
D764,027 S *	8/2016	Yin	D23/233
9,404,601 B2 *	8/2016	Yoshida	F16K 31/0655
9,546,737 B1 *	1/2017	Wang	F16K 15/18
D782,009 S *	3/2017	Watanabe	D23/233

* cited by examiner

Primary Examiner — Michael A. Pratt

(57) **CLAIM**

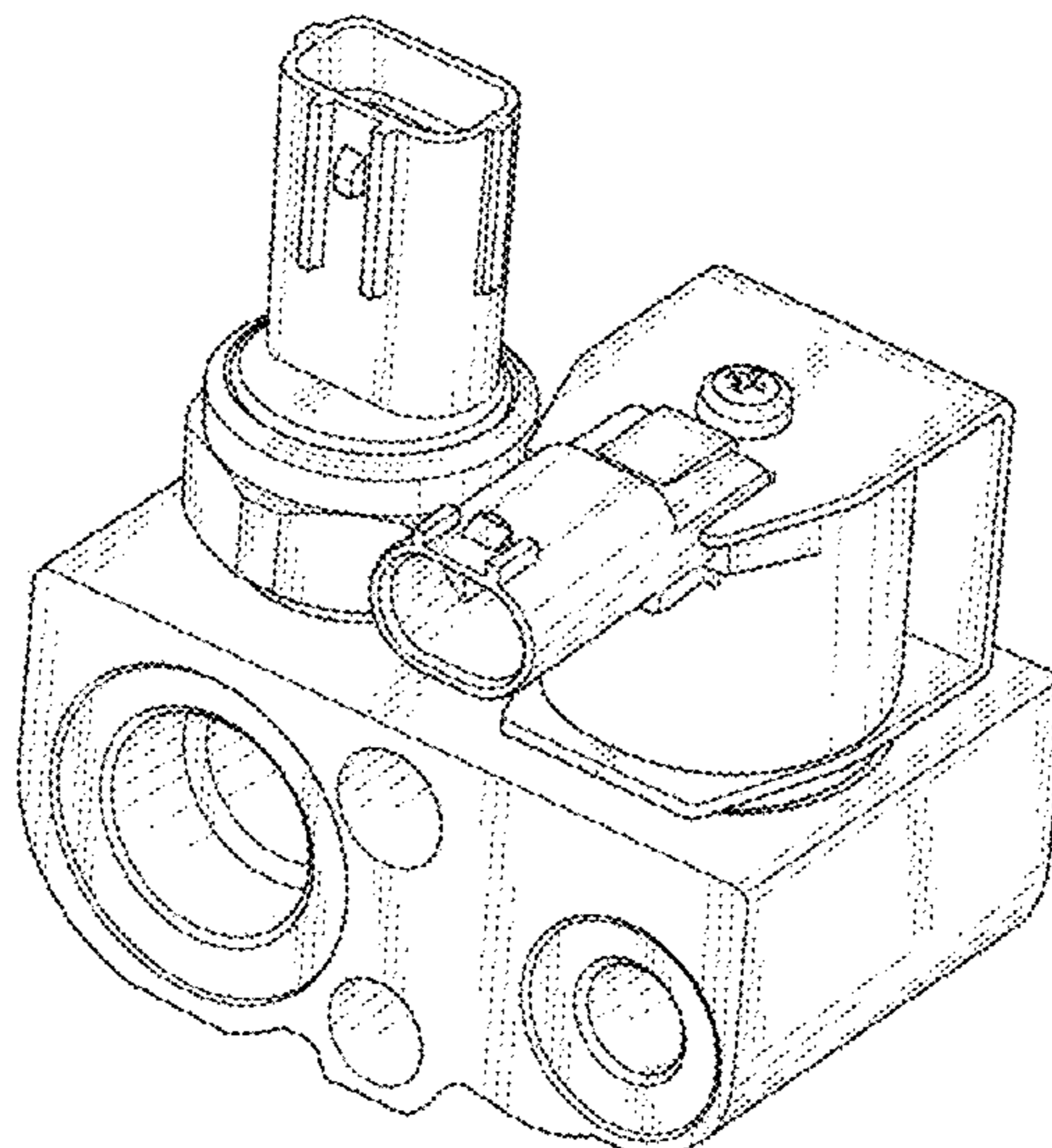
The ornamental design for a valve, as shown and described.

DESCRIPTION

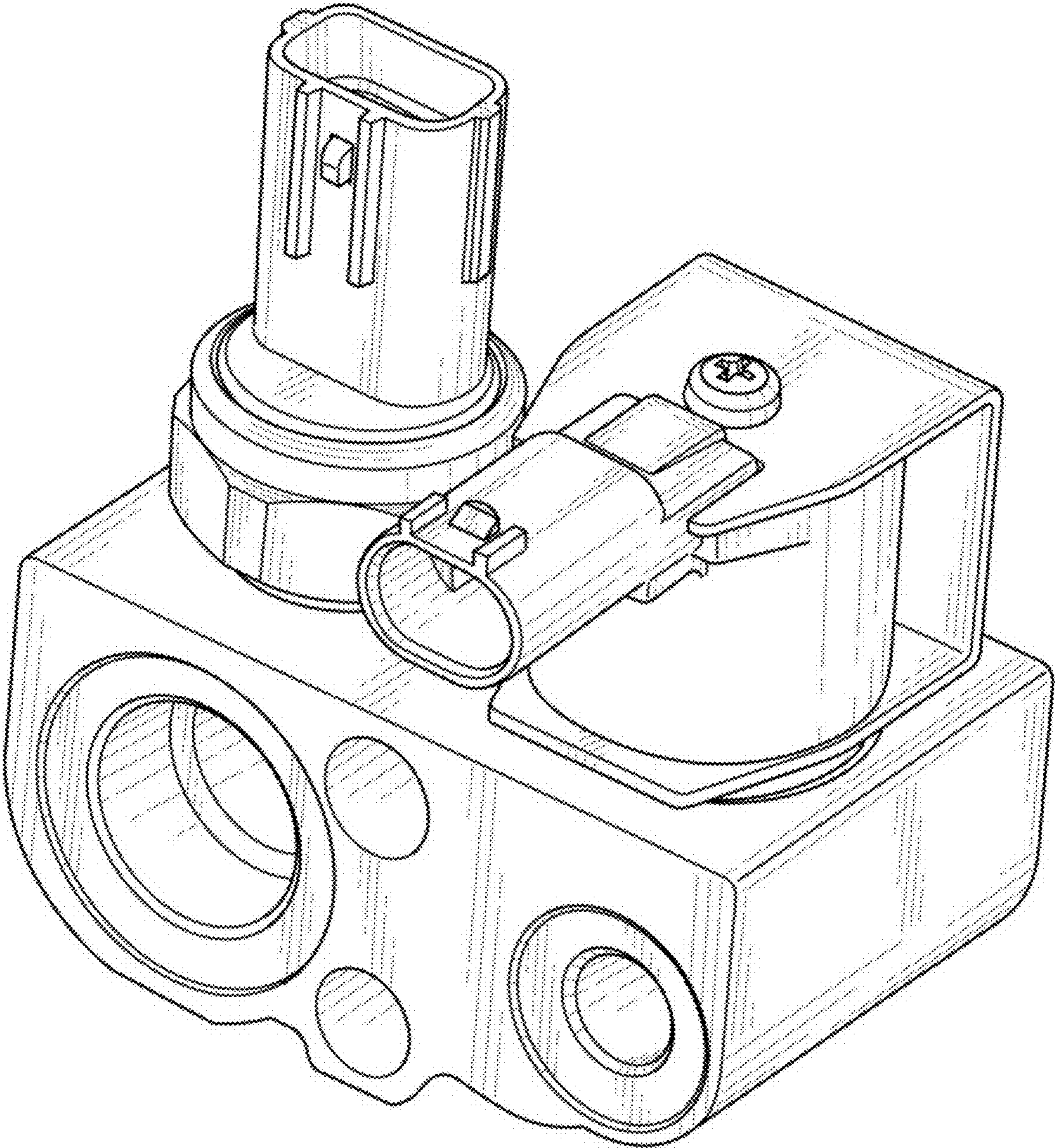
- 1. Valve
- 1.1 : Perspective
- 1.2 : Front
- 1.3 : Back
- 1.4 : Top
- 1.5 : Bottom
- 1.6 : Right
- 1.7 : Left

Design 1: a valve; the thin lines in the drawings illustrate the shape of the surface.

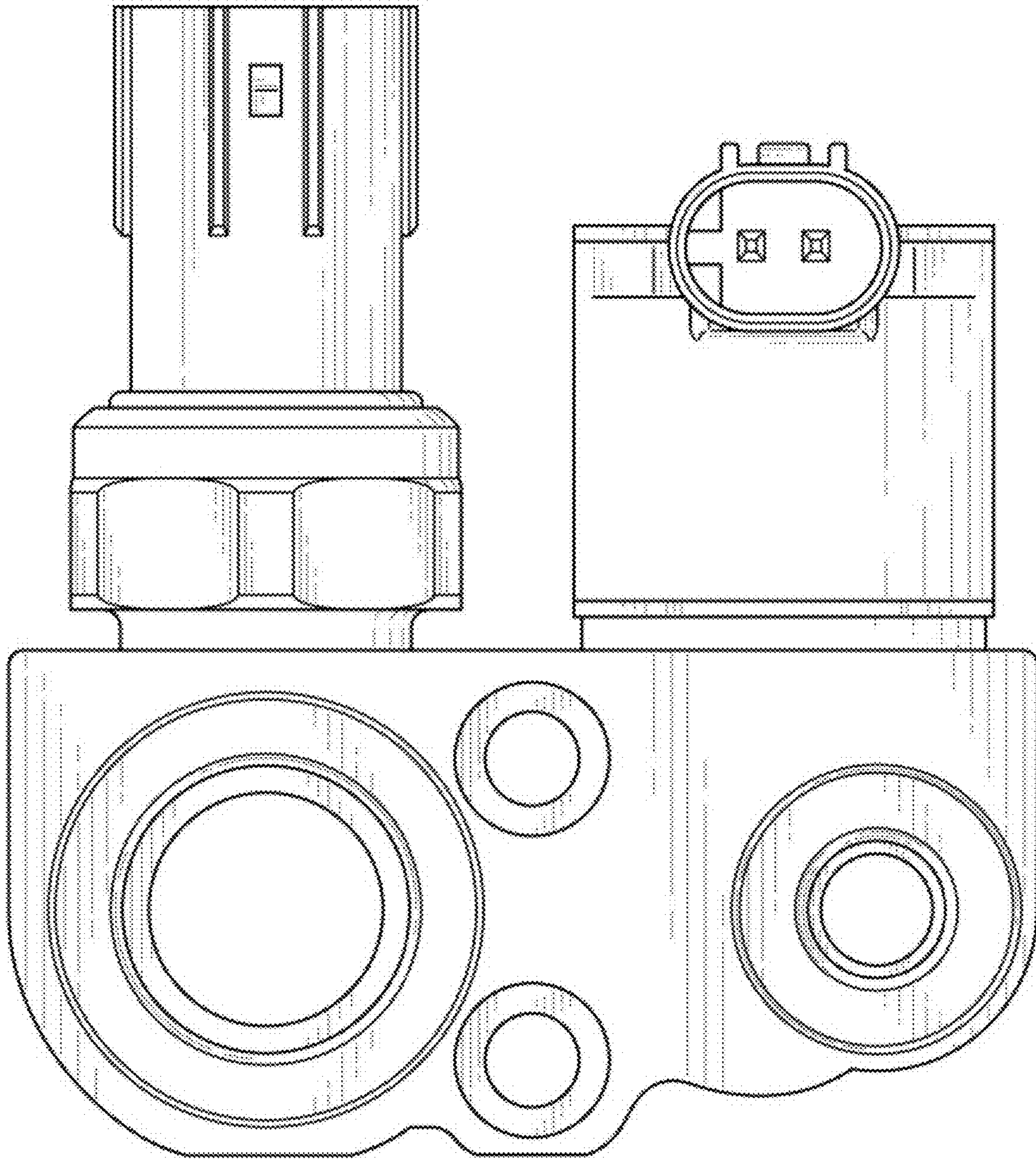
1 Claim, 7 Drawing Sheets



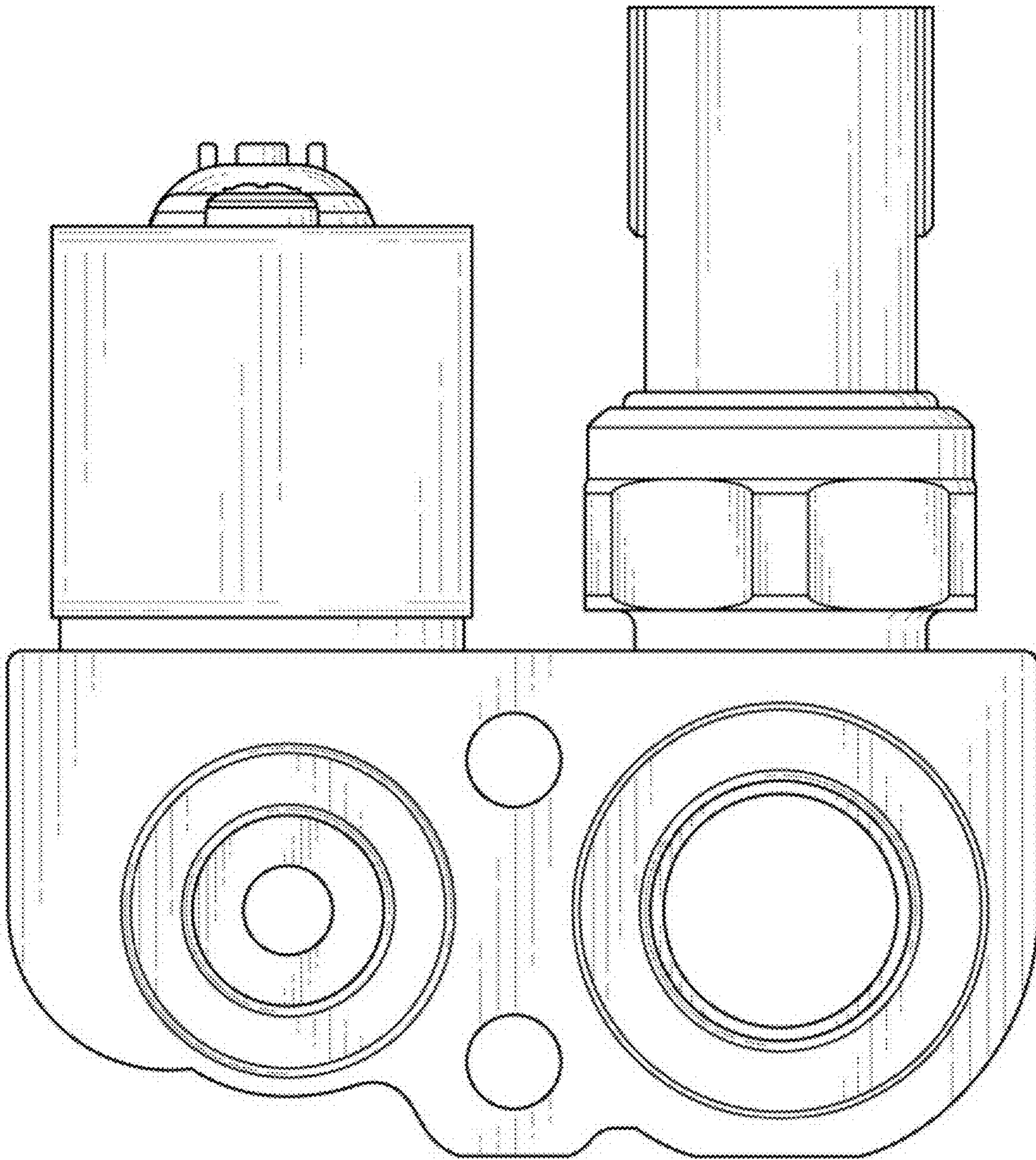
1.1



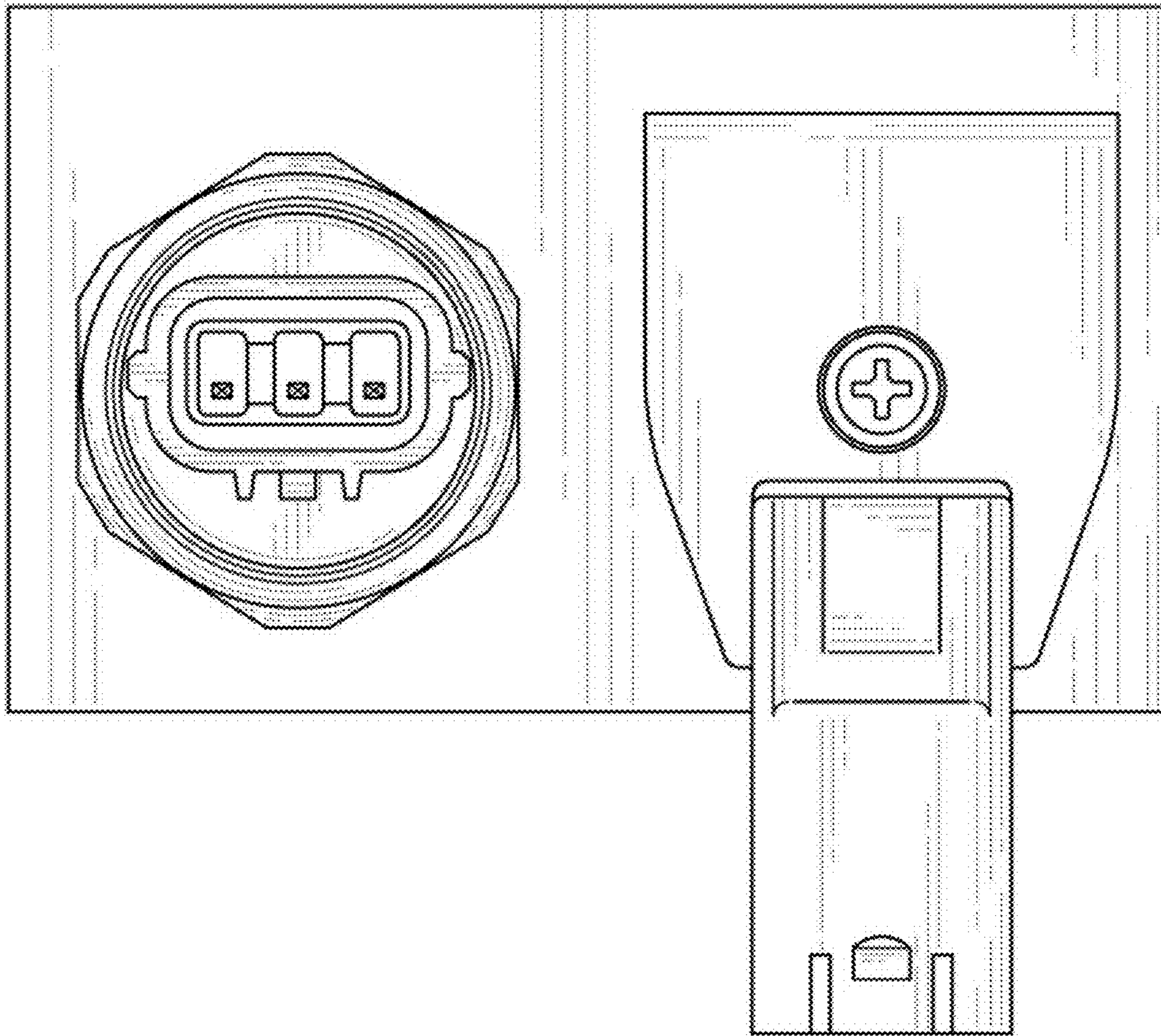
1.2



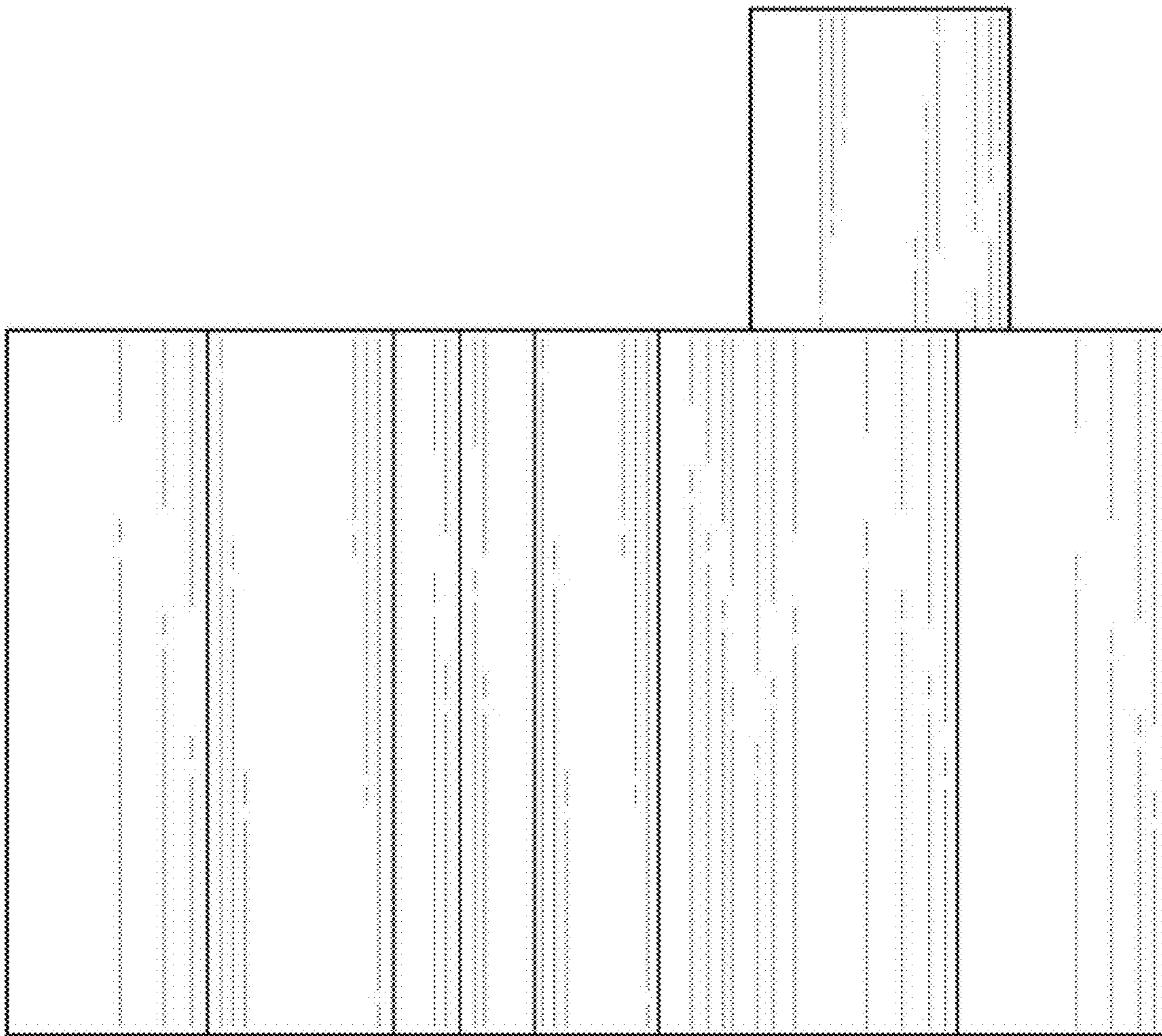
1.3



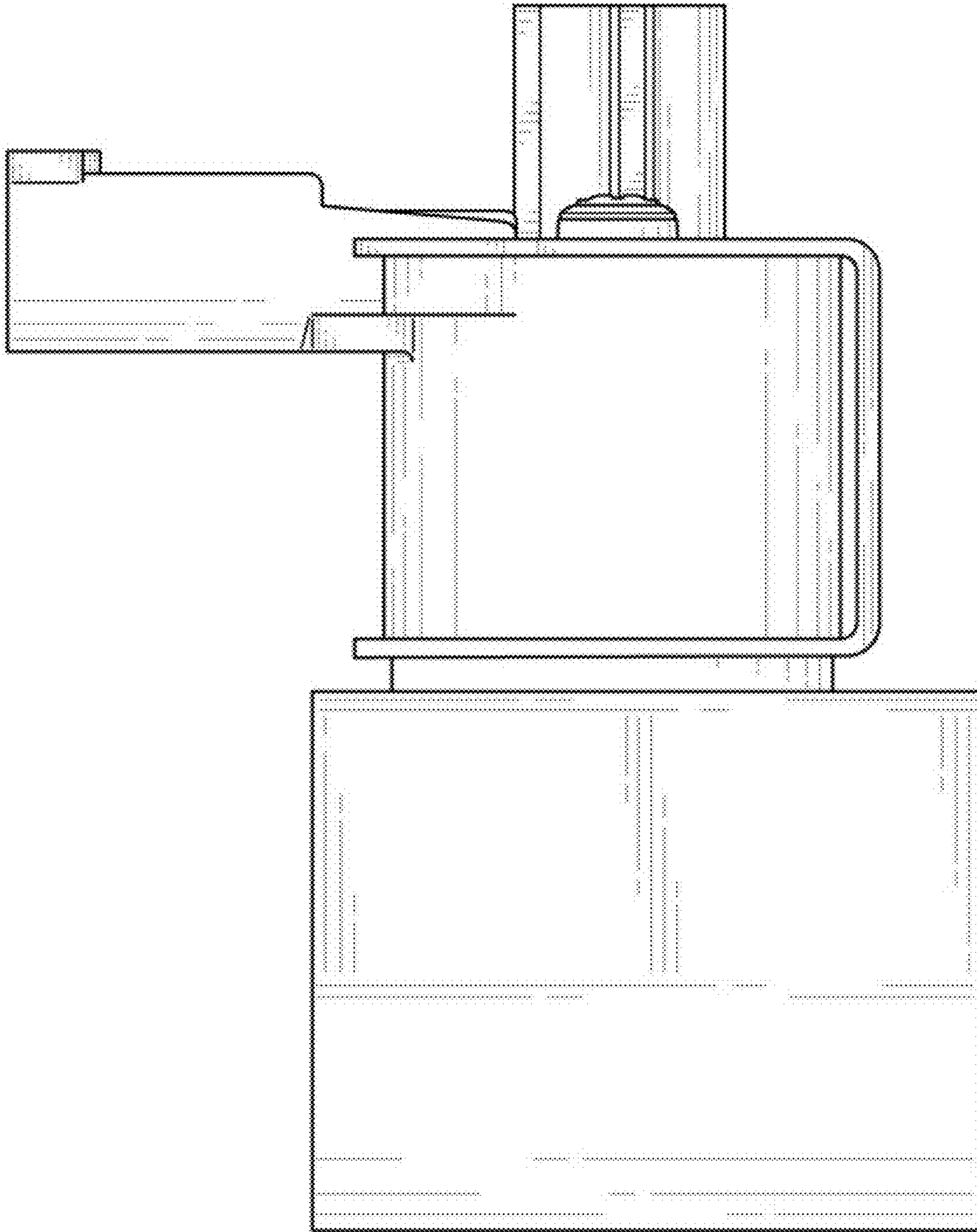
1.4



1.5



1.6



1.7

