



US00D802717S

(12) **United States Design Patent**
Sogao et al.

(10) **Patent No.:** **US D802,717 S**

(45) **Date of Patent:** **** Nov. 14, 2017**

- (54) **VALVE**
- (71) Applicant: **KABUSHIKI KAISHA FUJIKIN**,
Osaka (JP)
- (72) Inventors: **Masahiko Sogao**, Osaka (JP);
Tomohiro Mouri, Osaka (JP);
Masakazu Nagao, Osaka (JP)
- (73) Assignee: **KABUSHIKI KAISHA FUJIKIN**,
Nishi-Ku, Osaka-Shi, Osaka (JP)
- (**) Term: **15 Years**
- (21) Appl. No.: **29/554,888**
- (22) Filed: **Feb. 16, 2016**

- 3,195,465 A * 7/1965 Hug F02M 59/462
417/296
- 3,650,259 A * 3/1972 Garnier F02M 41/1411
123/364
- 3,811,801 A * 5/1974 Buse F04B 1/00
417/454
- 3,986,795 A * 10/1976 Kranc F02M 59/462
417/296
- 4,021,152 A * 5/1977 Toyoda F04B 49/24
251/129.15
- 4,398,871 A * 8/1983 Grabb F04C 28/265
417/283
- 4,400,147 A * 8/1983 Springer F04C 13/005
417/283
- 4,403,921 A * 9/1983 Kato F04B 49/246
417/296
- 4,413,953 A * 11/1983 Fales F04B 17/046
417/262
- 4,413,955 A * 11/1983 Kato F04B 49/12
417/270

(30) **Foreign Application Priority Data**

Aug. 19, 2015 (JP) 2015-018236

(51) **LOC (10) Cl.** **23-01**

(52) **U.S. Cl.**
USPC **D23/233**

(58) **Field of Classification Search**
USPC 417/110, 112, 115-117, 283, 296, 307,
417/308, 434, 454; D23/233
CPC F04B 17/04; F04B 49/24; F04B 49/08;
F04B 49/04
See application file for complete search history.

(56) **References Cited**

U.S. PATENT DOCUMENTS

- 2,322,913 A * 6/1943 Best F02M 37/08
310/34
- 2,641,188 A * 6/1953 Donald F04B 17/046
417/417
- 2,982,217 A * 5/1961 Thrap F04B 1/2007
137/115.14

(Continued)

Primary Examiner — Susan E Krakower

Assistant Examiner — Michael Maharajh

(74) *Attorney, Agent, or Firm* — Curtis L. Harrington;
Harrington & Harrington

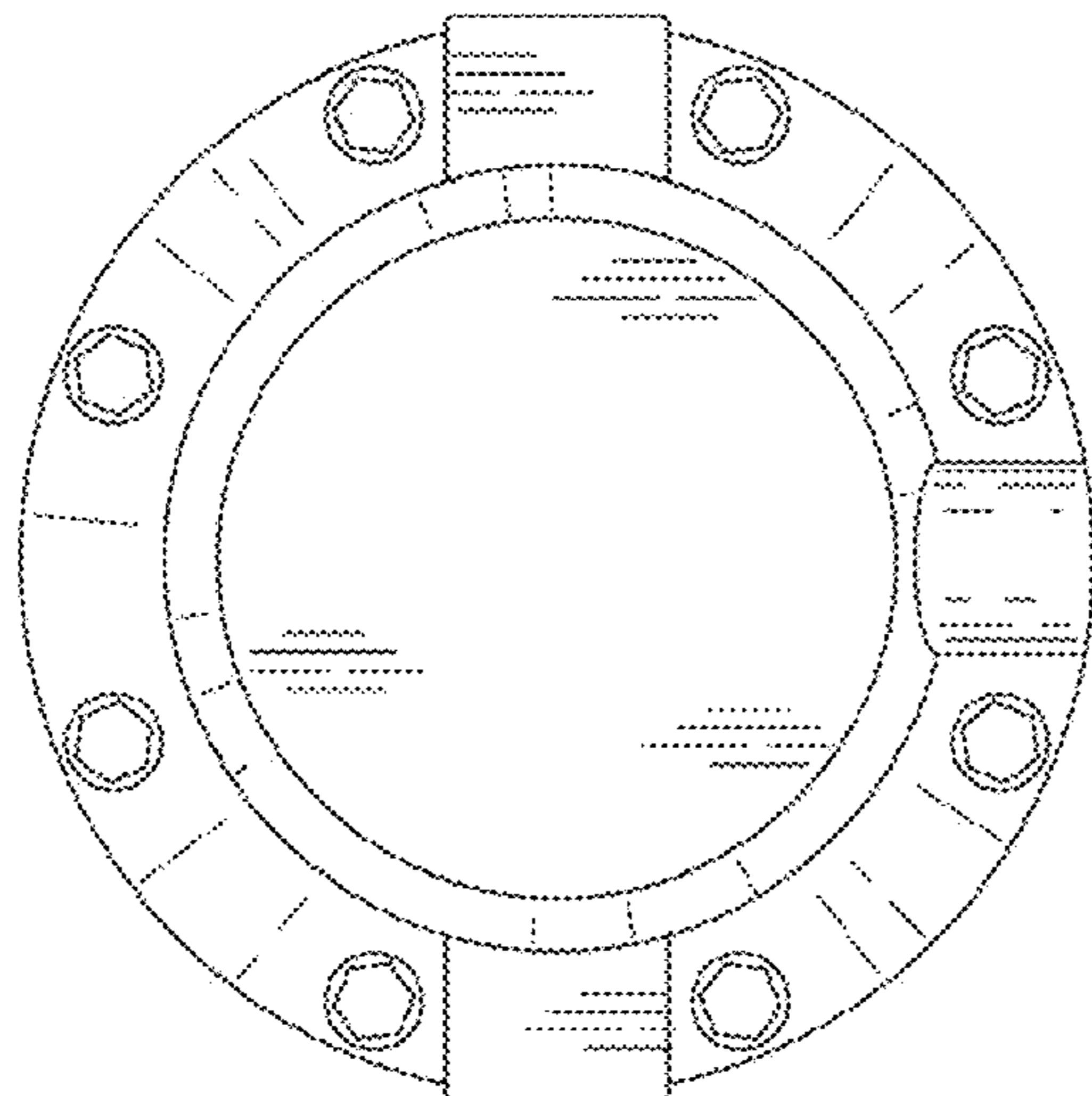
(57) **CLAIM**

The ornamental design for a valve, as shown and described.

DESCRIPTION

FIG. 1 is a top plan view of a valve, showing our new design;
FIG. 2 is a bottom plan view thereof;
FIG. 3 is a front elevational view thereof;
FIG. 4 is a rear elevational view thereof;
FIG. 5 is a right side elevational view thereof;
FIG. 6 is a left side elevational view thereof;
FIG. 7 is an upper perspective view thereof;
FIG. 8 is a lower perspective view thereof; and,
FIG. 9 is a front partial sectional elevational view thereof.

1 Claim, 9 Drawing Sheets



(56)

References Cited

U.S. PATENT DOCUMENTS

4,420,290 A * 12/1983 Drutchas F04C 14/265
417/283
4,519,750 A * 5/1985 Kurahashi F04B 49/225
417/270
4,648,369 A * 3/1987 Wannewetsch F02M 59/462
123/467
4,651,779 A * 3/1987 Filippi F02M 59/462
123/506
4,944,658 A * 7/1990 Buttner F16N 13/04
417/274
5,293,897 A * 3/1994 Warga F02M 59/462
137/493.3
5,427,357 A * 6/1995 Koyomogi F16K 1/10
137/334
5,950,669 A * 9/1999 Fehlmann F02M 59/462
123/467
6,227,823 B1 * 5/2001 Paul F04B 39/062
417/228
7,007,828 B2 * 3/2006 Speight B67D 1/10
222/333
9,341,182 B2 * 5/2016 Mayoraz F04B 17/044
2002/0076334 A1 * 6/2002 Dalton F01C 21/0863
417/279
2004/0241017 A1 * 12/2004 Buzzi F04B 17/046
417/415
2009/0246041 A1 * 10/2009 Taguchi F04B 27/1804
417/307
2010/0282862 A1 * 11/2010 Gilpatrick B08B 3/026
239/88
2012/0251359 A1 * 10/2012 Neelakantan F04B 17/046
417/416
2016/0281695 A1 * 9/2016 Toennesmann F04B 17/04

* cited by examiner

Fig. 1

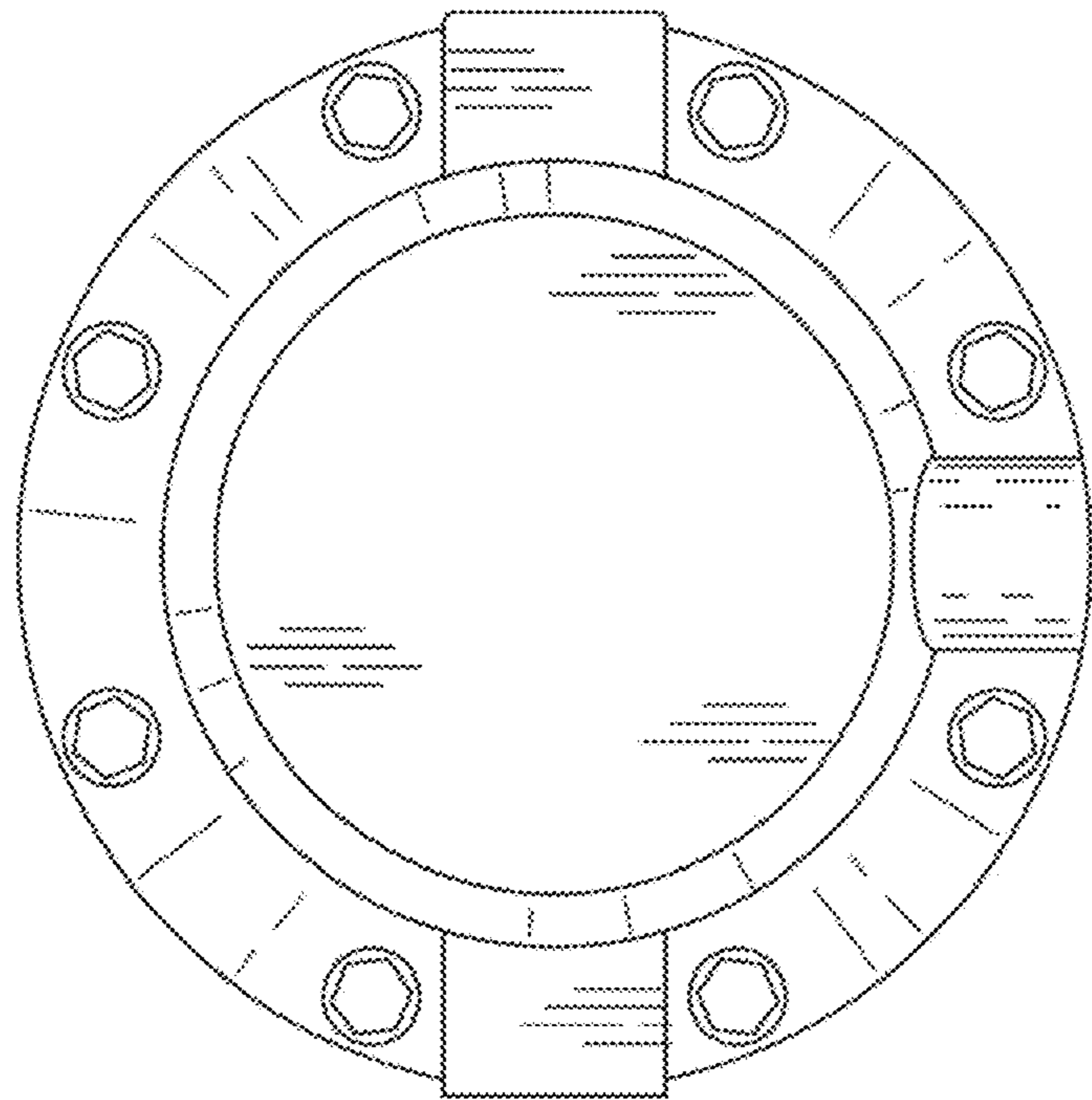


Fig. 2

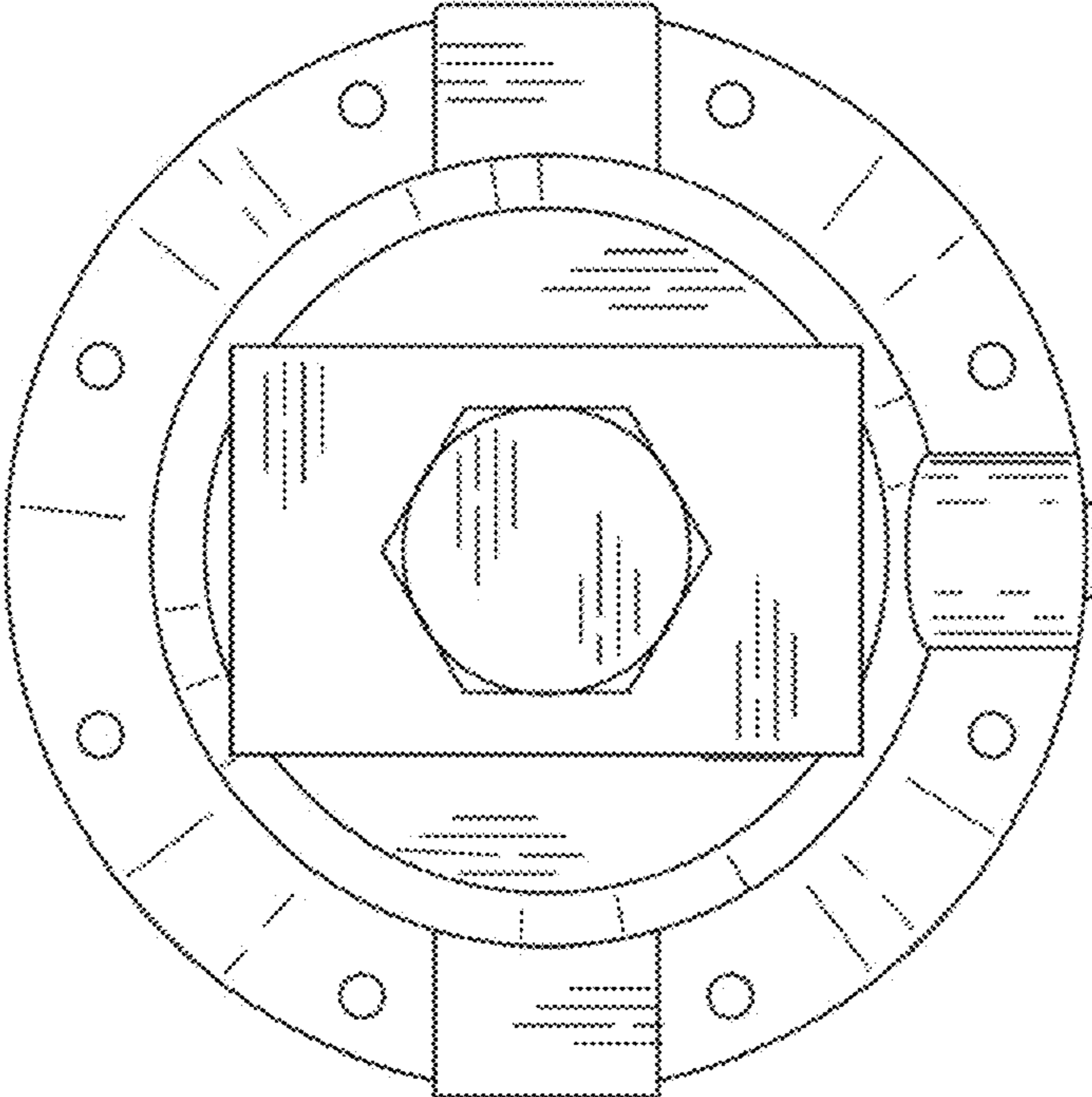


Fig. 3

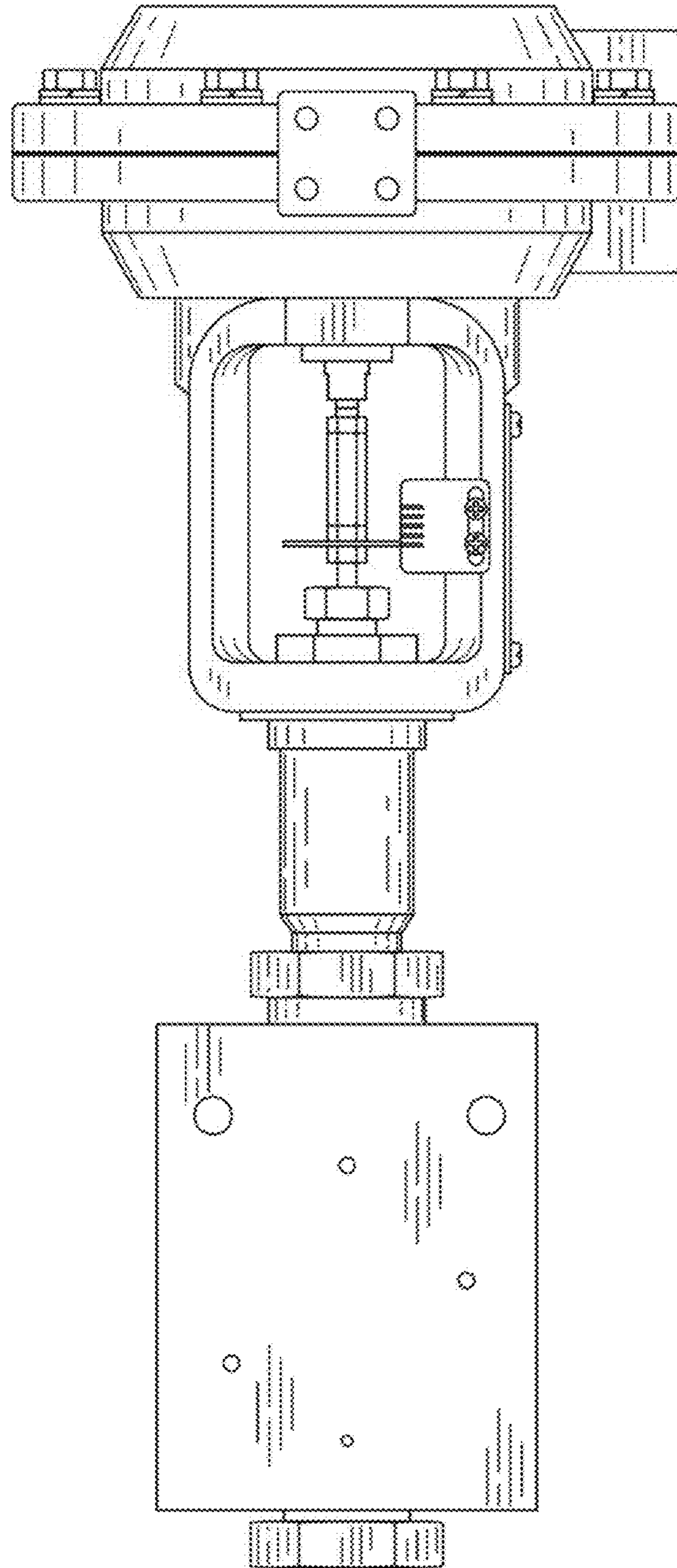


Fig. 4

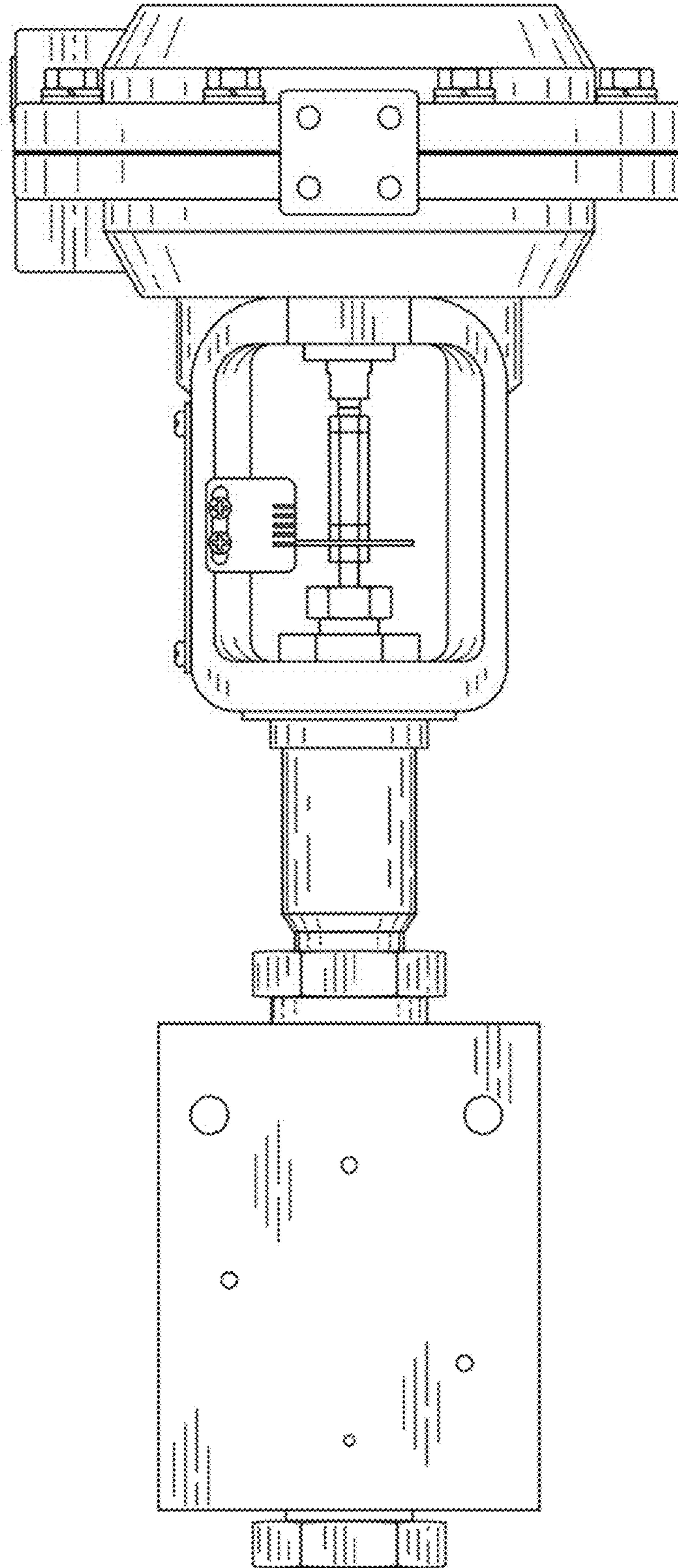


Fig. 5

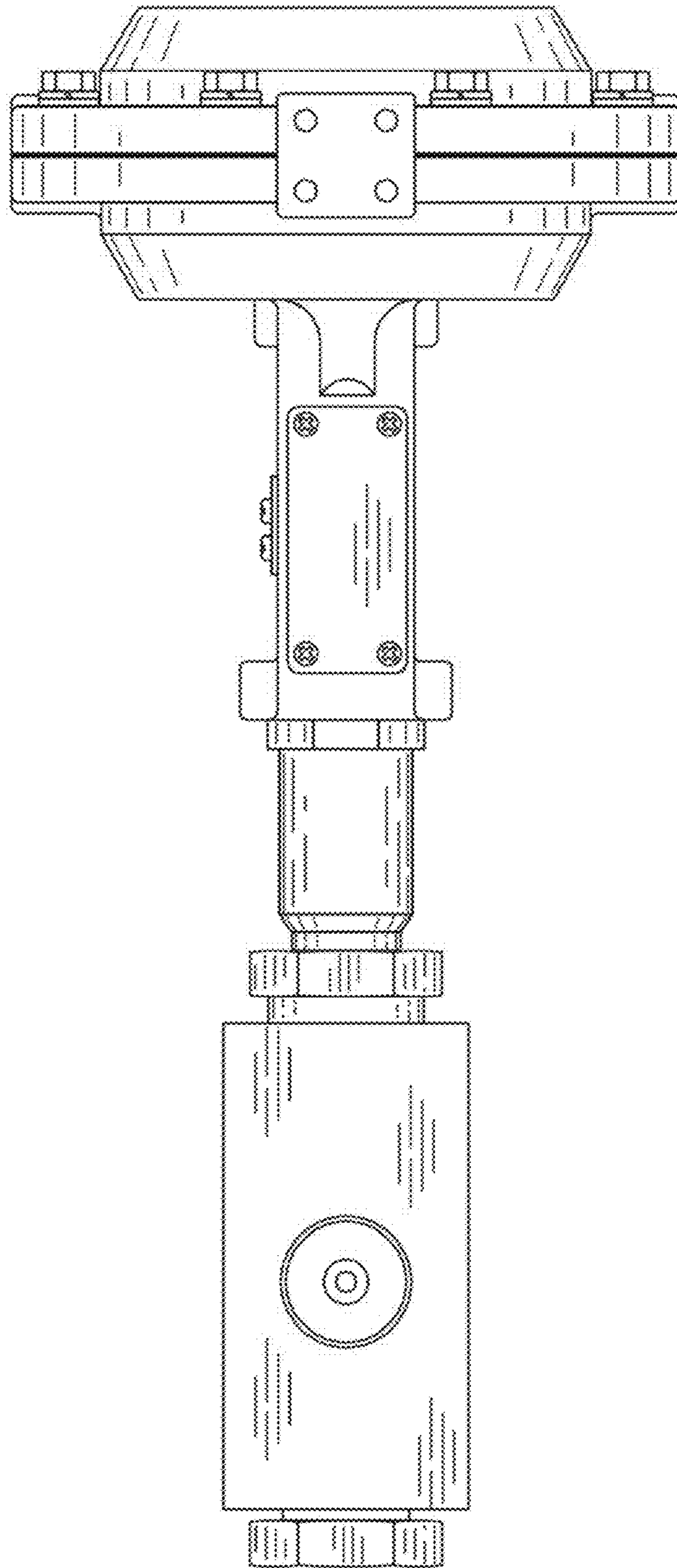


Fig. 6

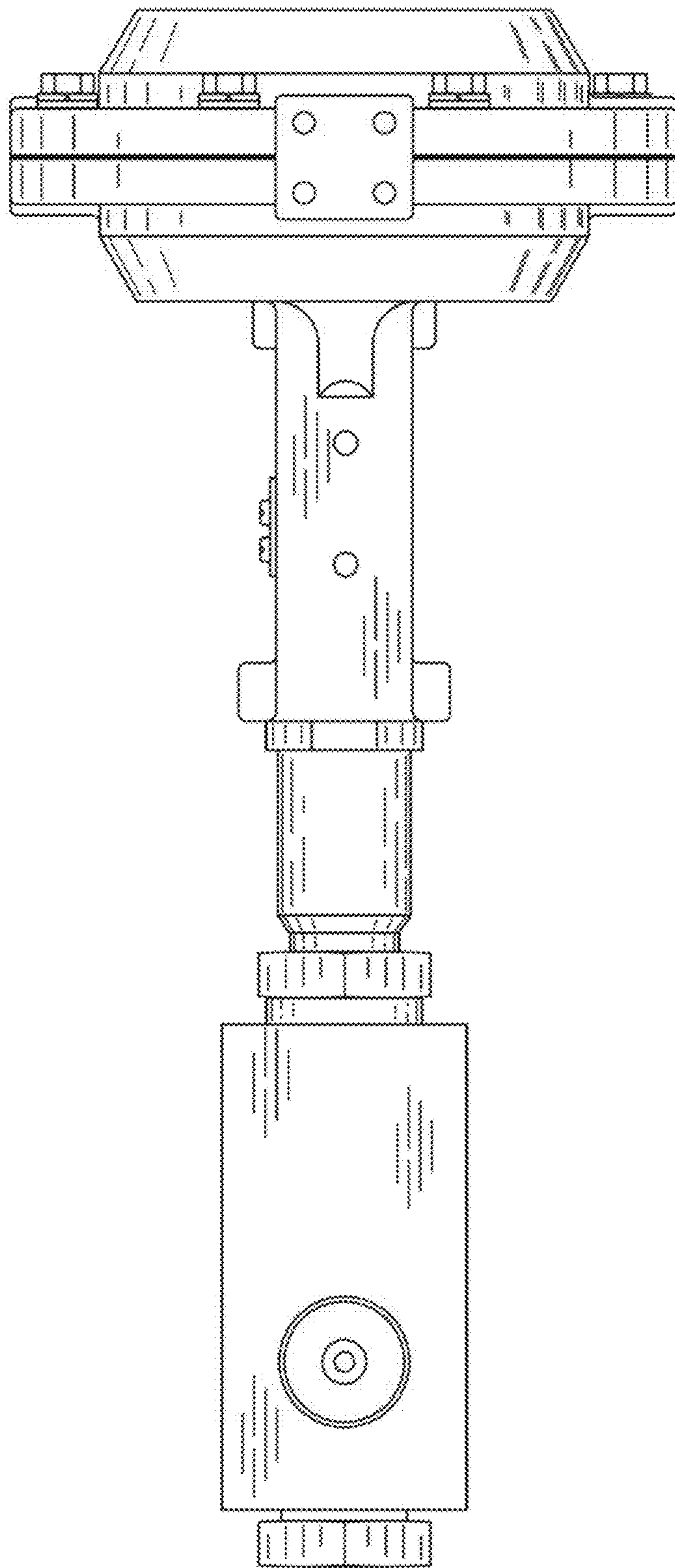


Fig. 7

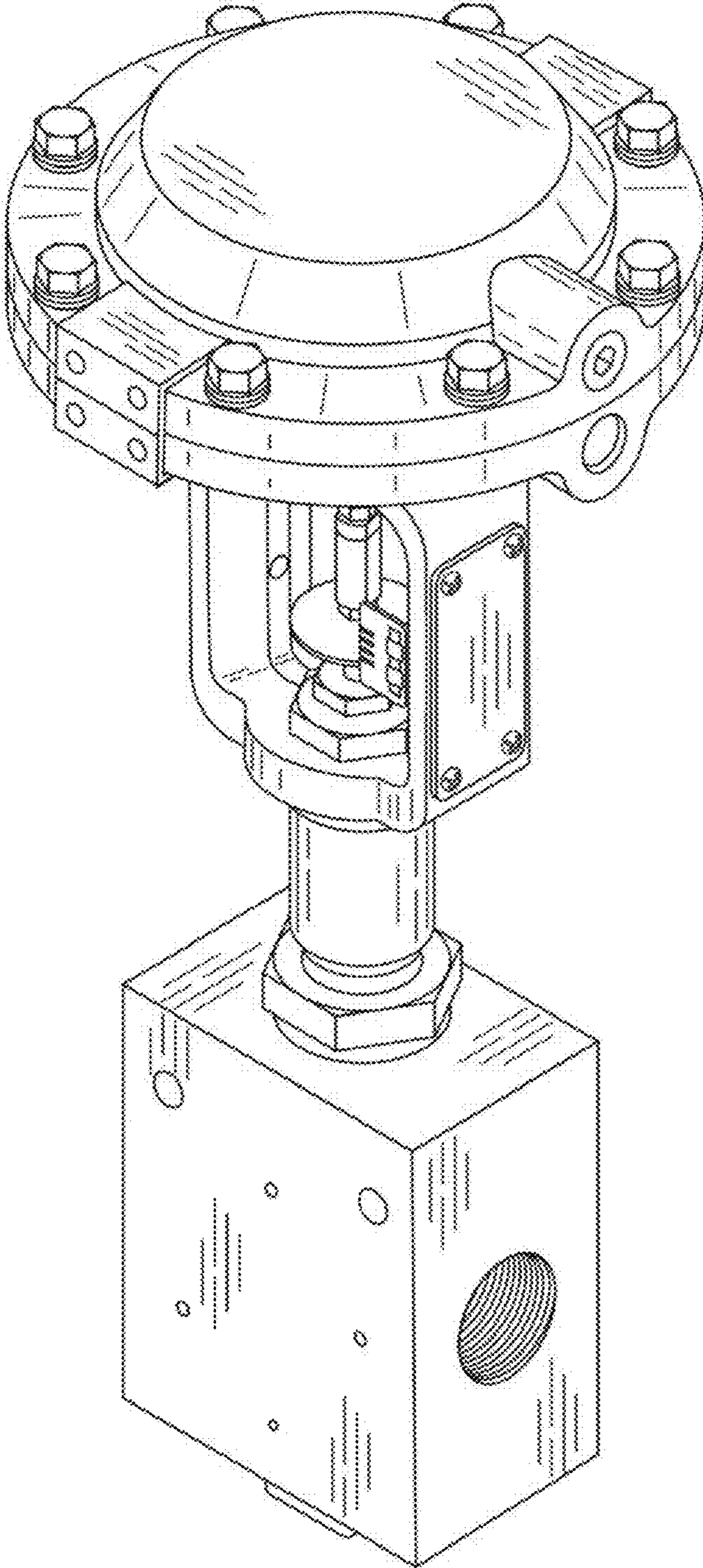


Fig. 8

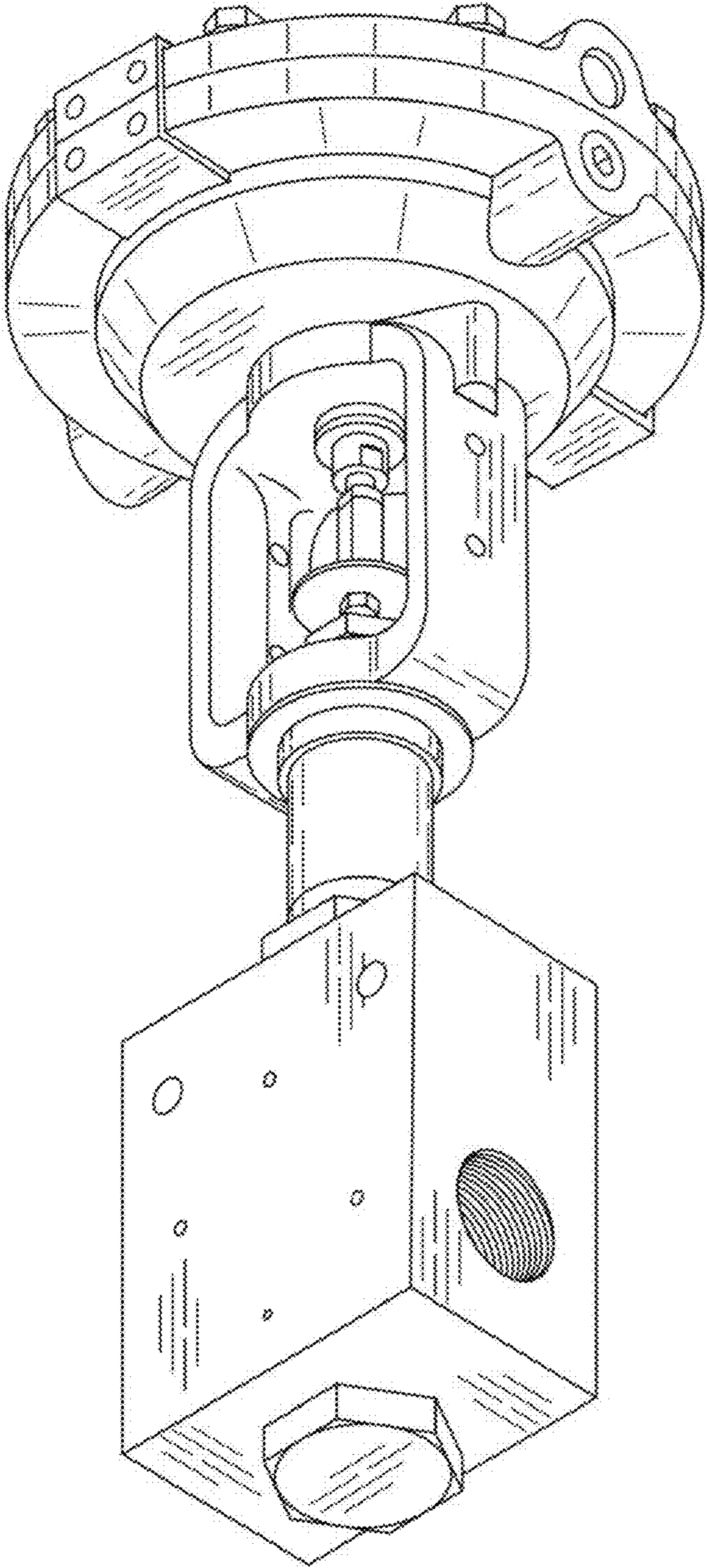


Fig. 9

