



US00D802716S

(12) **United States Design Patent** (10) **Patent No.:** **US D802,716 S**
Asaba (45) **Date of Patent:** **** Nov. 14, 2017**

(54) **FLUID PRESSURE CYLINDER WITH PLATE**

(71) Applicant: **SMC CORPORATION**, Tokyo (JP)

(72) Inventor: **Tsuyoshi Asaba**, Abiko (JP)

(73) Assignee: **SMC CORPORATION**, Tokyo (JP)

(**) Term: **15 Years**

(21) Appl. No.: **29/547,864**

(22) Filed: **Dec. 8, 2015**

Related U.S. Application Data

(62) Division of application No. 29/487,605, filed on Apr. 10, 2014, now Pat. No. Des. 765,821.

(51) **LOC (10) Cl.** **23-01**

(52) **U.S. Cl.**
USPC **D23/233**

(58) **Field of Classification Search**
USPC D23/233, 200, 207, 209, 210, 234–237,
D23/244–249; D10/85; 92/165 R, 166;
(Continued)

(56) **References Cited**

U.S. PATENT DOCUMENTS

5,555,789 A 9/1996 Rosengren et al.
D556,861 S 12/2007 Yokohari
(Continued)

Primary Examiner — Cynthia Ramirez

(74) *Attorney, Agent, or Firm* — Birch, Stewart, Kolasch & Birch, LLP

(57) **CLAIM**

The ornamental design for a fluid pressure cylinder with plate, as shown and described.

DESCRIPTION

FIG. 1 is a top, front and left-side perspective view of a fluid pressure cylinder with plate showing a first embodiment of my new design;

FIG. 2 is a front view thereof;
FIG. 3 is a rear view thereof;
FIG. 4 is a top plan view thereof;
FIG. 5 is a bottom plan view thereof;
FIG. 6 is a left side view thereof;
FIG. 7 is a right side view thereof;
FIG. 8 is a top, front and left-side perspective view of a fluid pressure cylinder with plate showing a second embodiment of my new design;

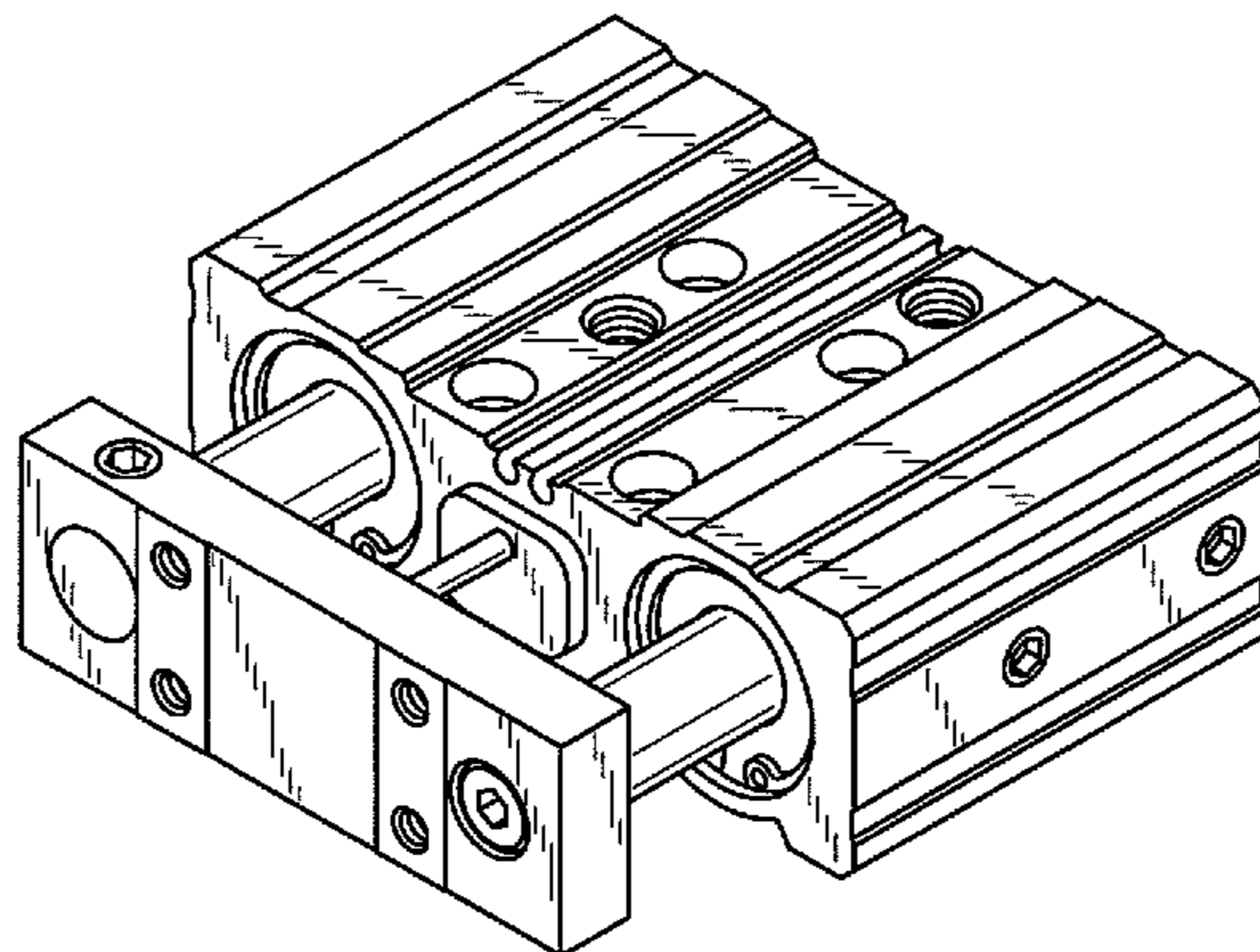
FIG. 9 is a front view thereof;
FIG. 10 is a rear view thereof;
FIG. 11 is a top plan view thereof;
FIG. 12 is a bottom plan view thereof;
FIG. 13 is a left side view thereof;
FIG. 14 is a right side view thereof;
FIG. 15 is a top, front and left-side perspective view of a fluid pressure cylinder with plate showing a third embodiment of my new design;

FIG. 16 is a front view thereof;
FIG. 17 is a rear view thereof;
FIG. 18 is a top plan view thereof;
FIG. 19 is a bottom plan view thereof;
FIG. 20 is a left side view thereof;
FIG. 21 is a right side view thereof;
FIG. 22 is a top, front and left-side perspective view of a fluid pressure cylinder with plate showing a fourth embodiment of my new design;

FIG. 23 is a front view thereof;
FIG. 24 is a rear view thereof;
FIG. 25 is a top plan view thereof;
FIG. 26 is a bottom plan view thereof;
FIG. 27 is a left side view thereof;
FIG. 28 is a right side view thereof;
FIG. 29 is a top, front and left-side perspective view of a fluid pressure cylinder with plate showing a fifth embodiment of my new design;

FIG. 30 is a front view thereof;
FIG. 31 is a rear view thereof;
FIG. 32 is a top plan view thereof;
FIG. 33 is a bottom plan view thereof;
FIG. 34 is a left side view thereof; and,
FIG. 35 is a right side view thereof.

(Continued)



The portions of the fluid pressure cylinder with plate shown in broken lines form no part of the claimed design.

1 Claim, 35 Drawing Sheets

(58) Field of Classification Search

USPC 137/884, 885, 625.4, 625.64, 625.65;
251/129.01, 129.15
CPC F16C 29/06; F16J 10/02
See application file for complete search history.

(56) References Cited

U.S. PATENT DOCUMENTS

D556,862 S	12/2007	Yokohari	
7,836,816 B2	11/2010	Tokumoto	
D660,191 S	5/2012	Asaba	
D667,532 S	9/2012	Asaba	
D681,163 S	4/2013	Asaba	
D681,164 S	4/2013	Asaba	
D687,516 S	8/2013	Asaba	
D687,928 S	8/2013	Asaba	
D687,929 S	8/2013	Asaba	
D765,821 S *	9/2016	Asaba D23/233

* cited by examiner

FIG. 1

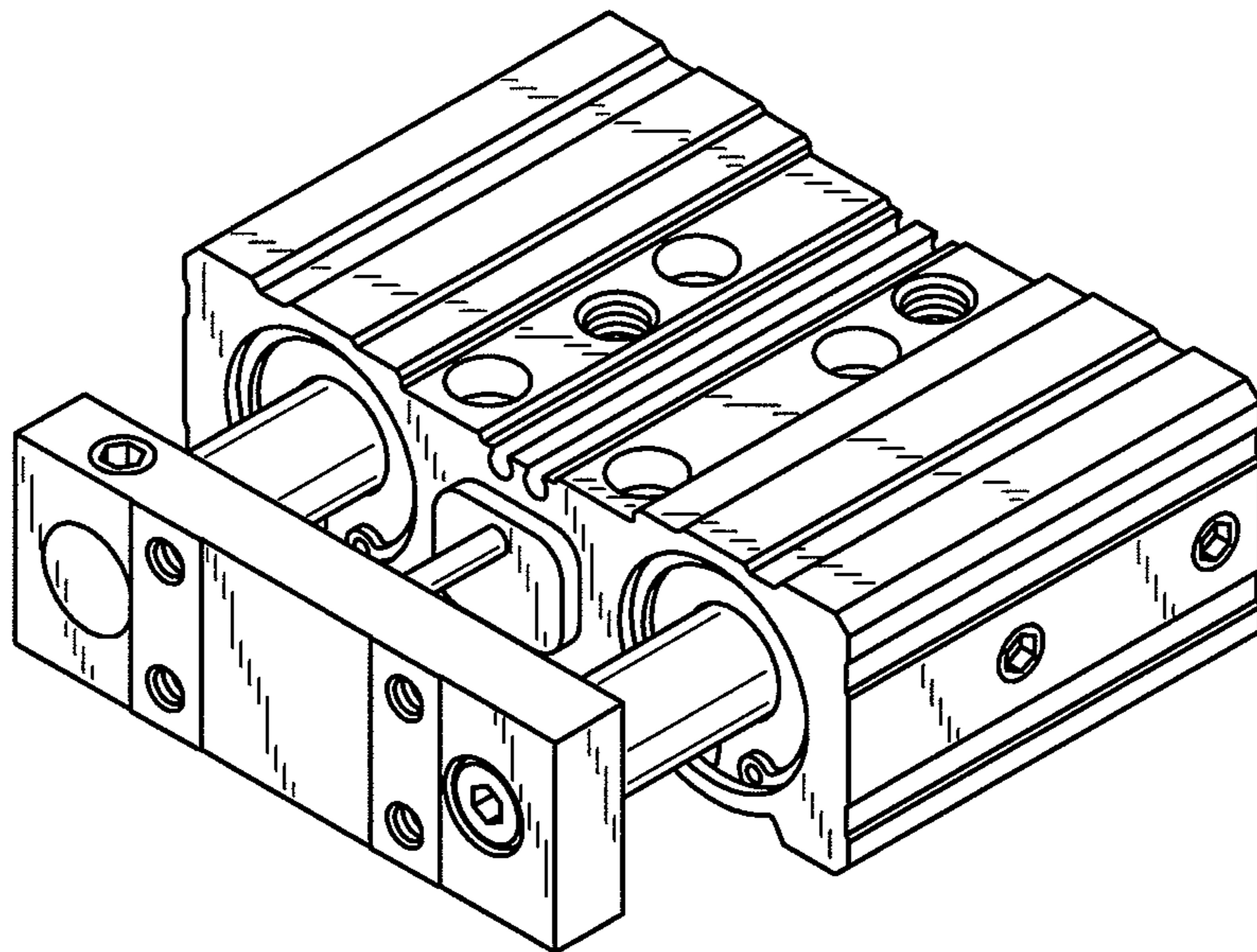


FIG. 2

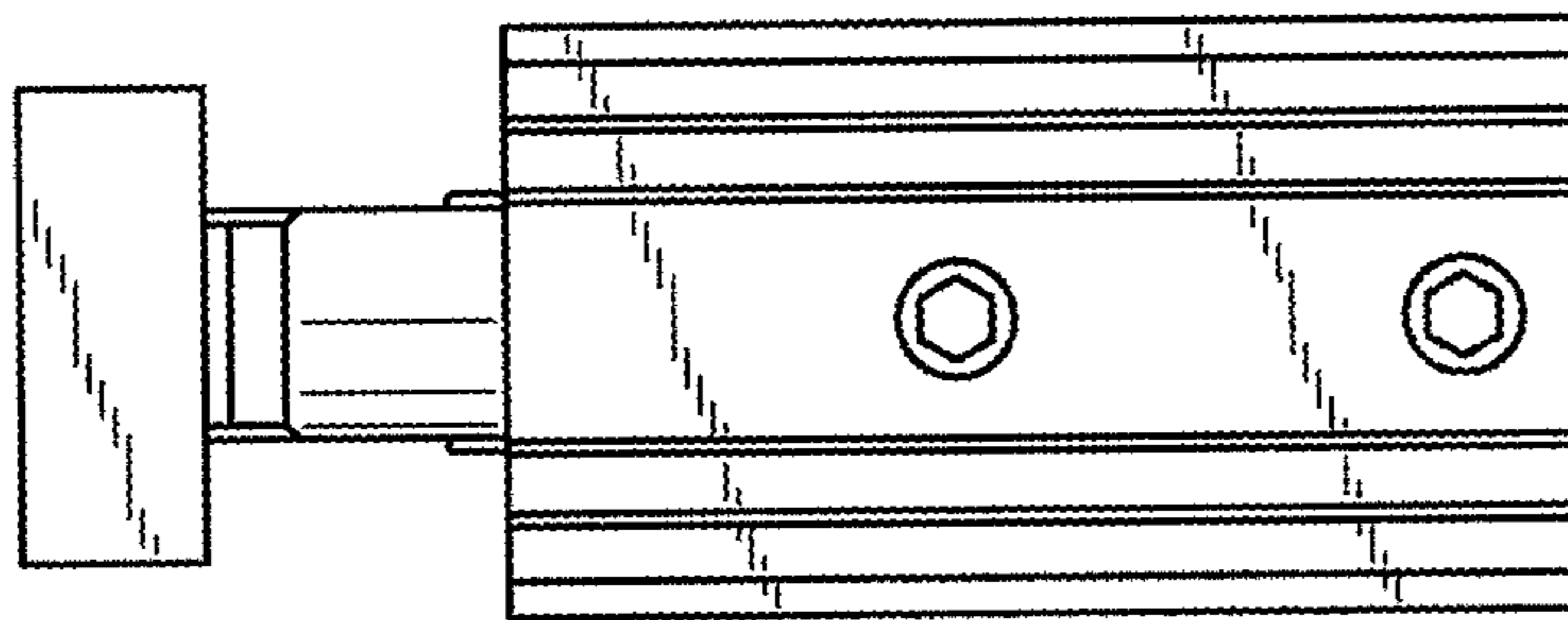


FIG. 3

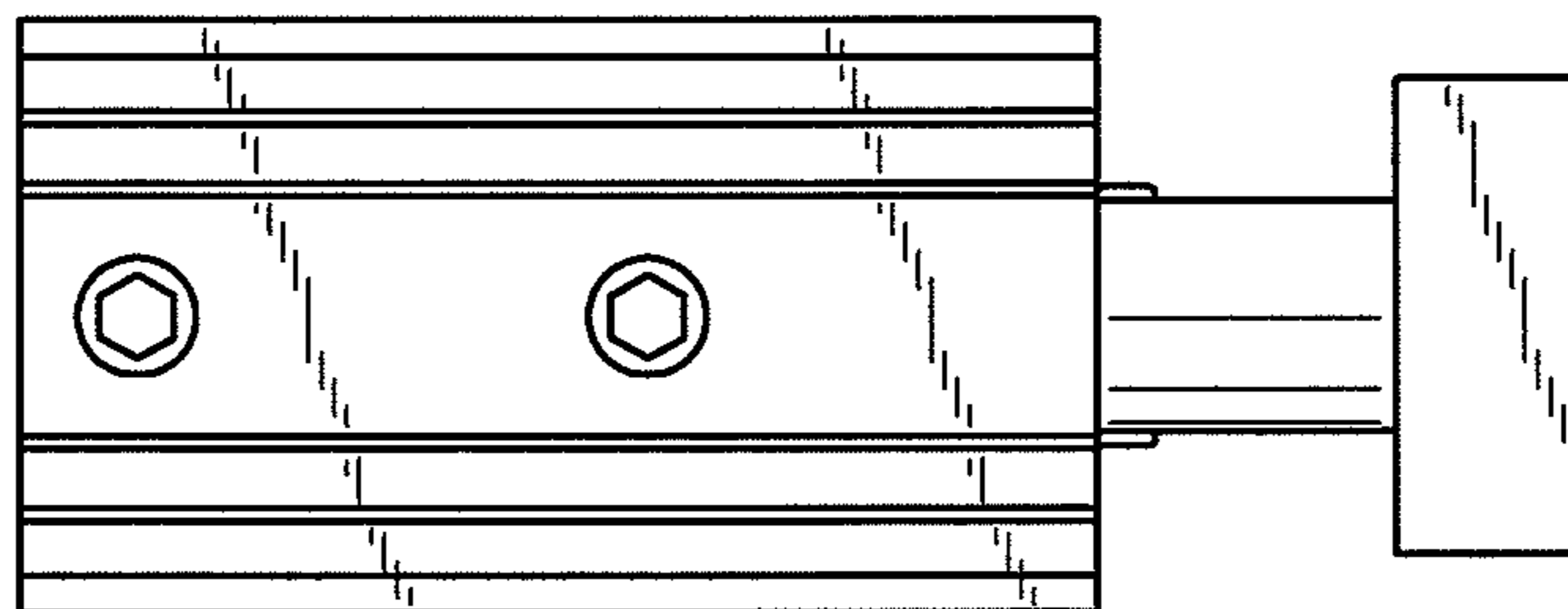


FIG. 4

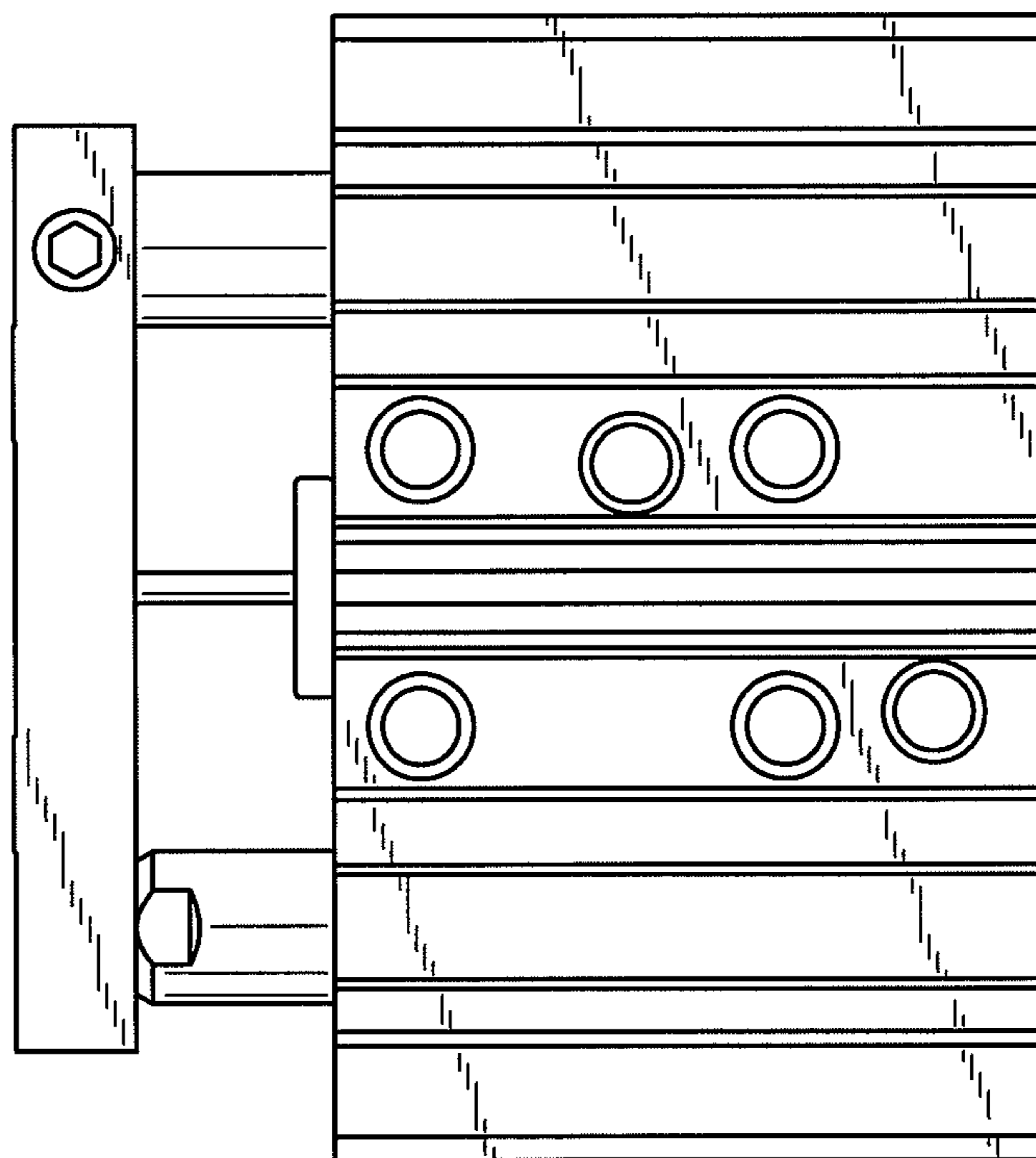


FIG. 5

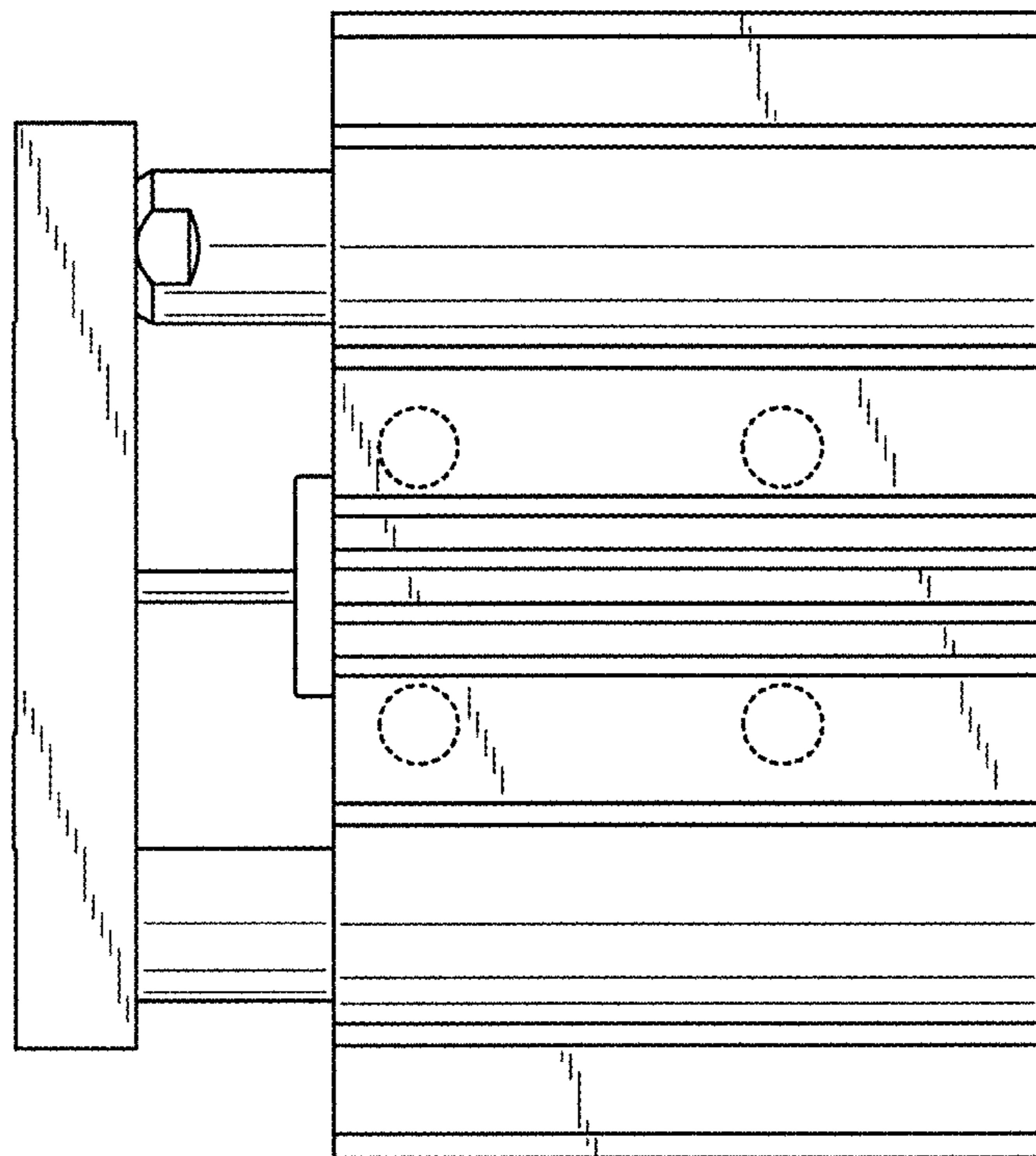


FIG. 6

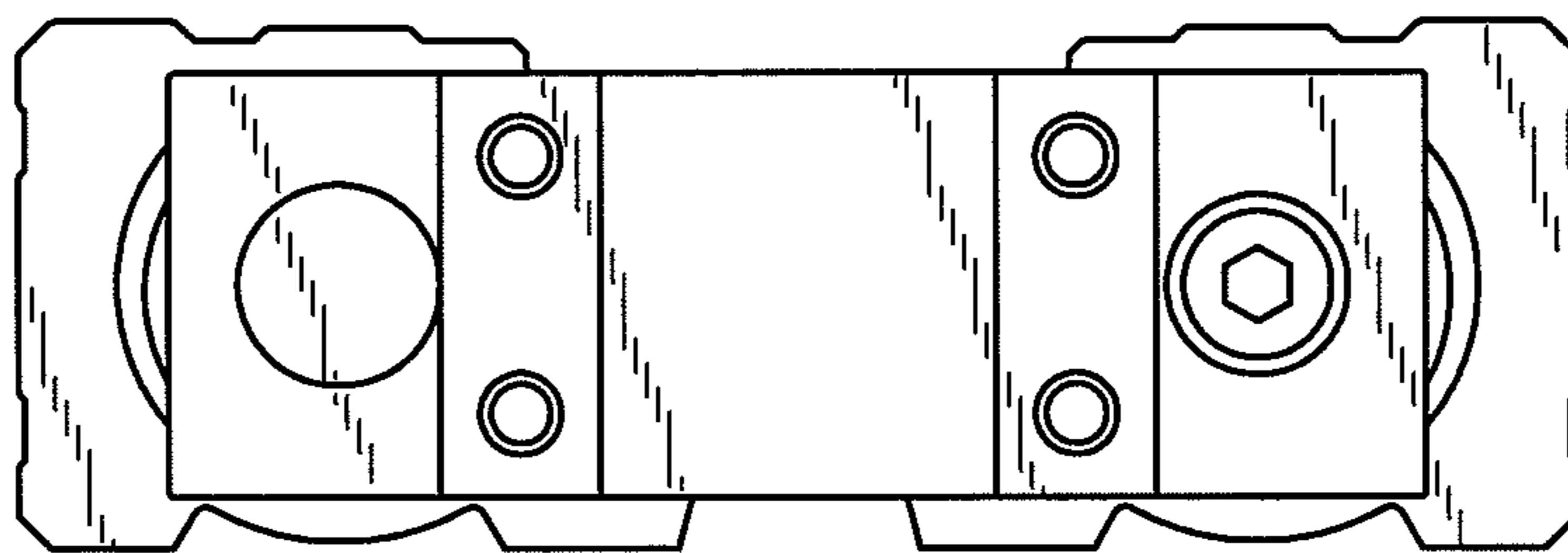


FIG. 7

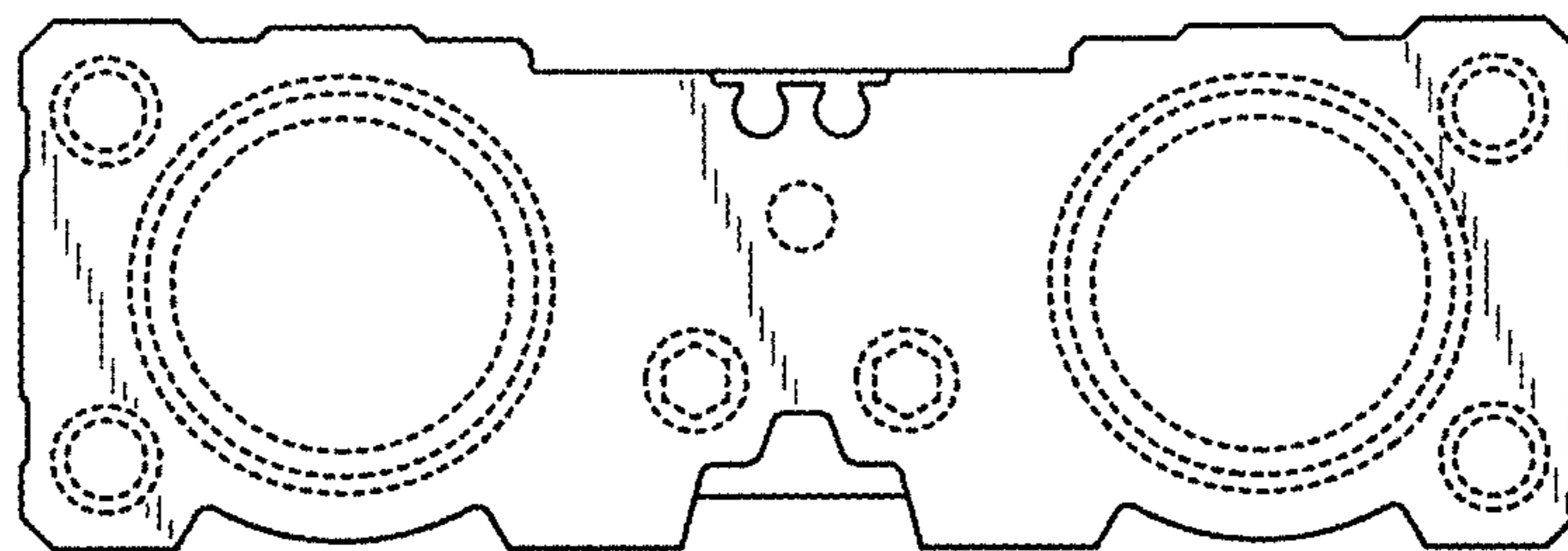


FIG. 8

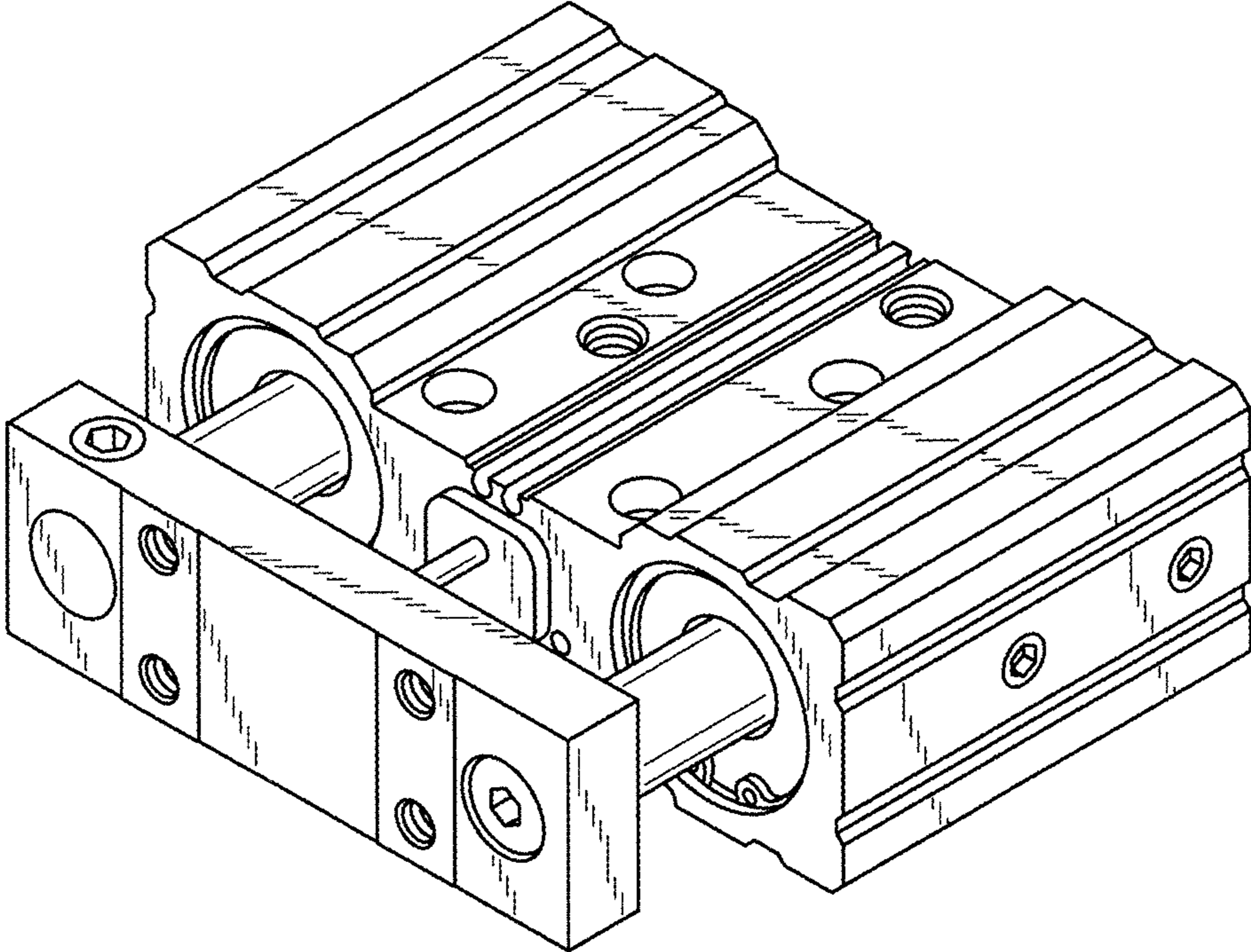


FIG. 9

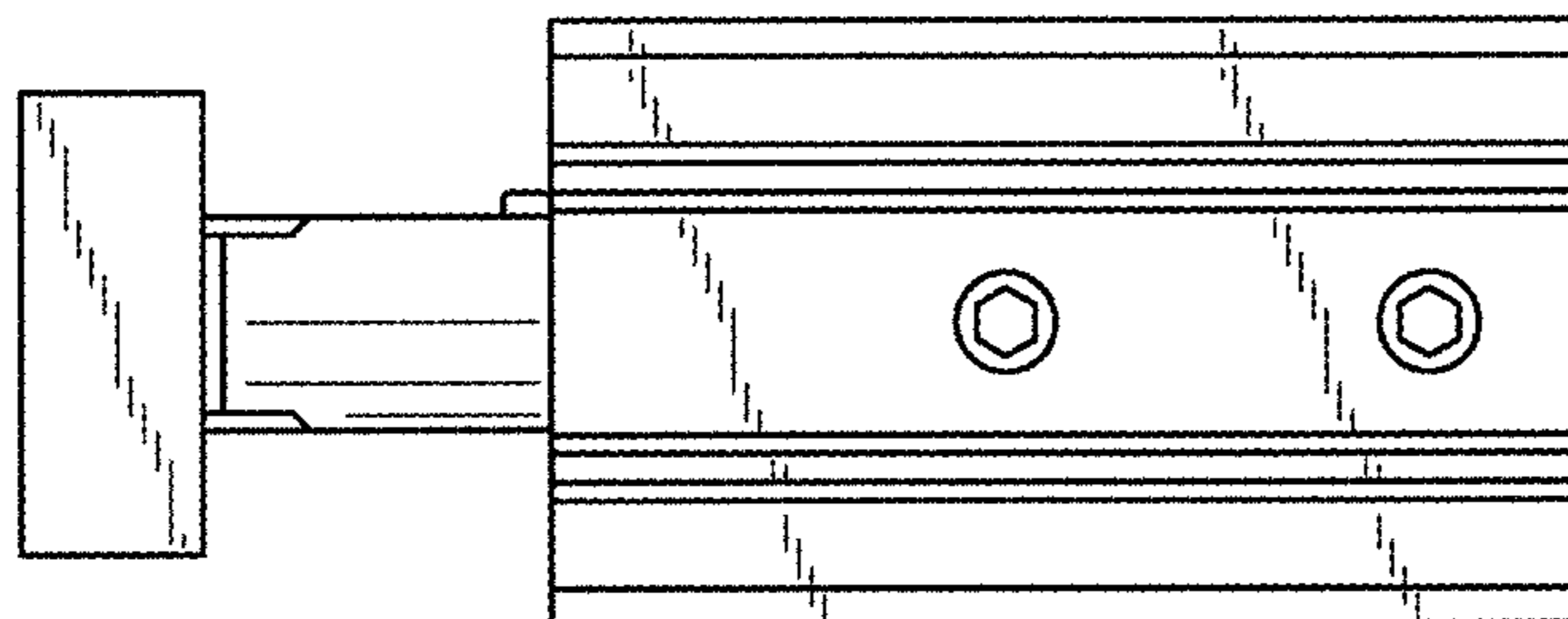


FIG. 10

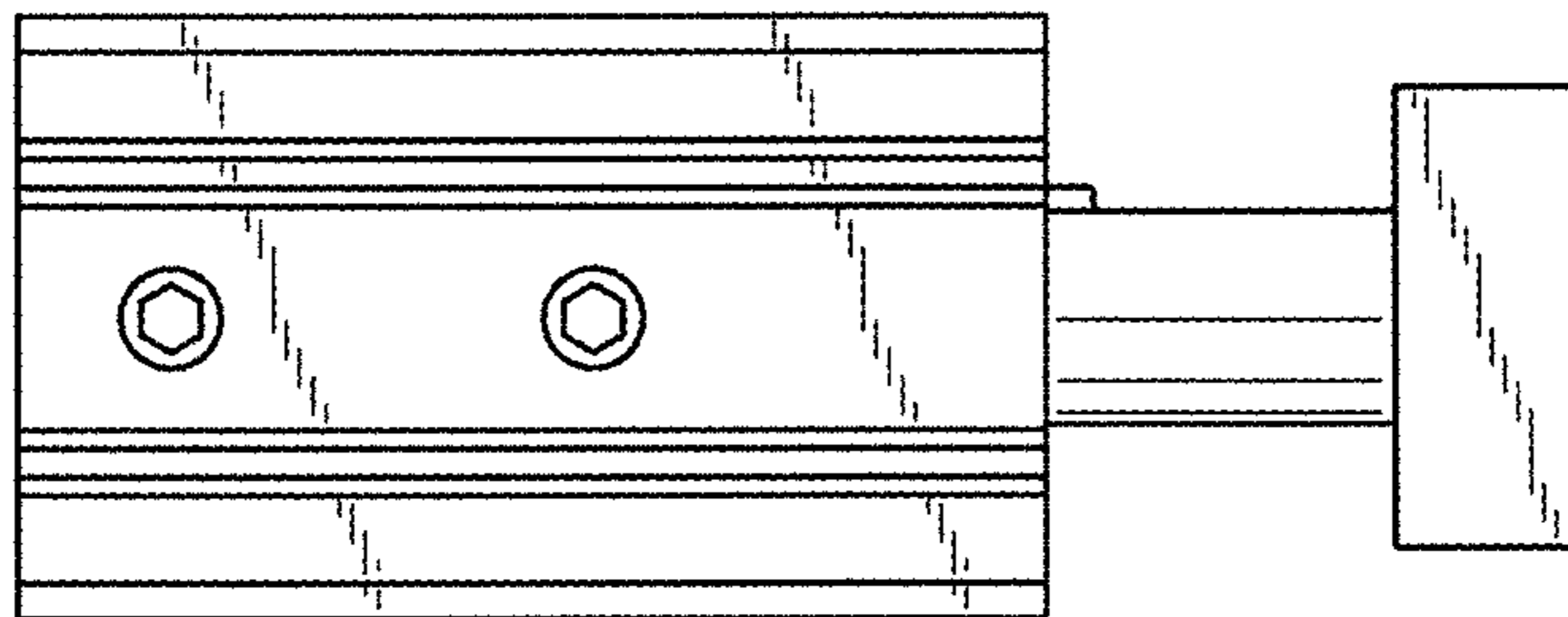


FIG. 11

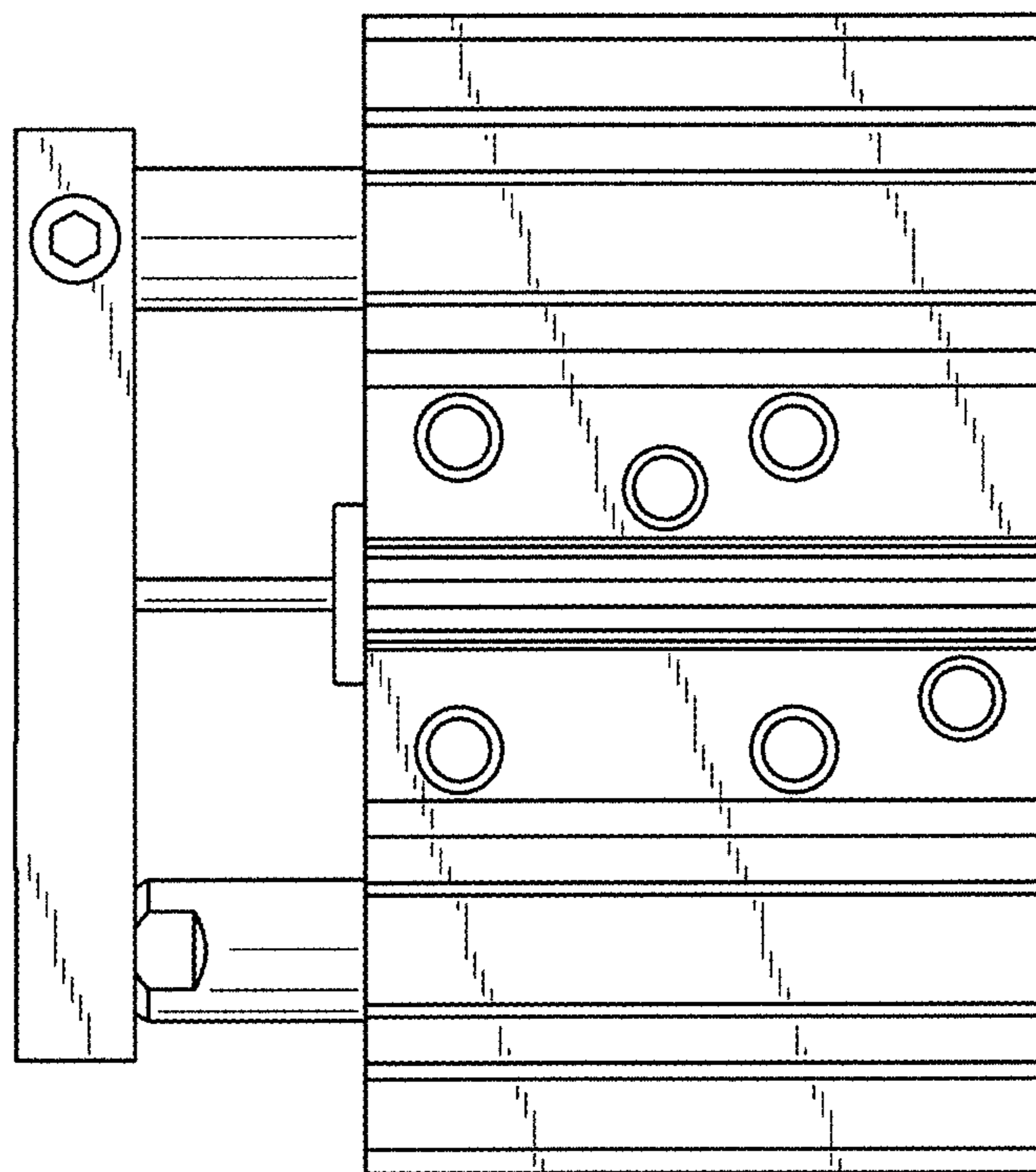


FIG. 12

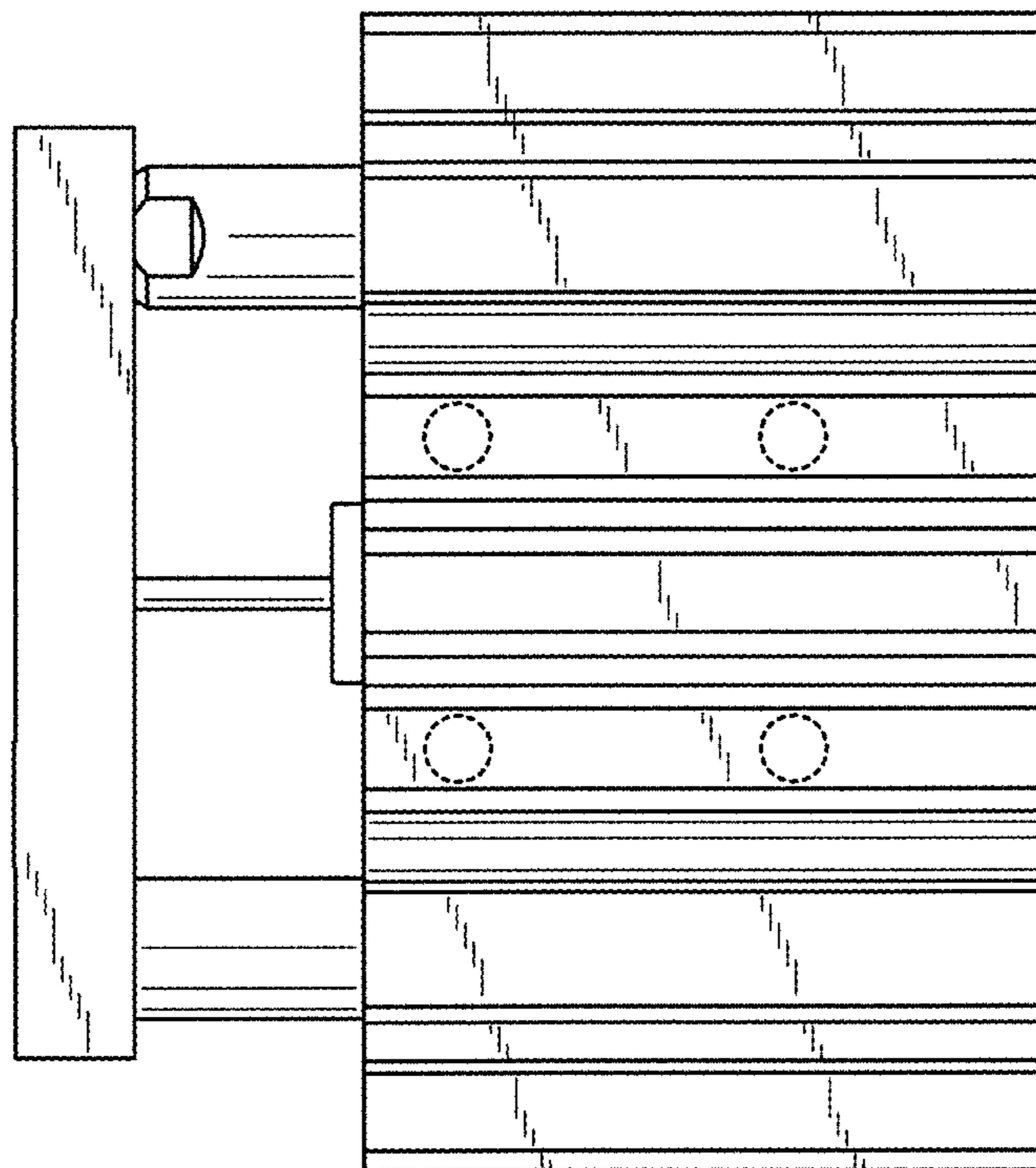


FIG. 13

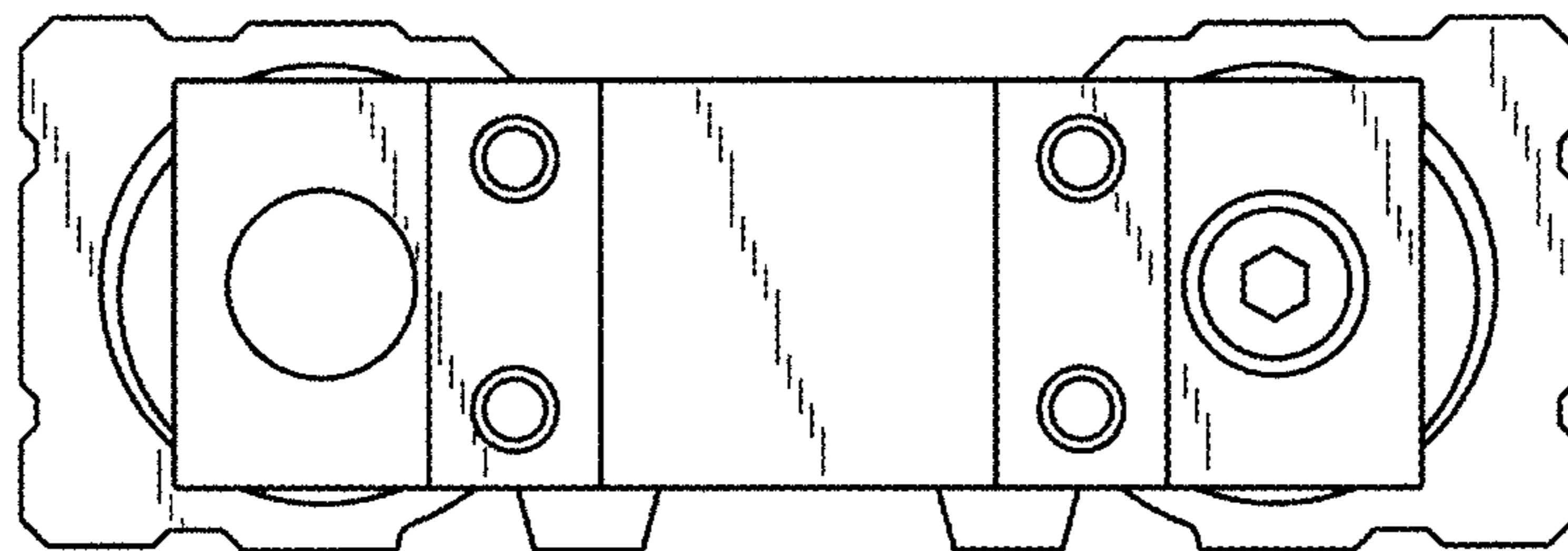


FIG. 14

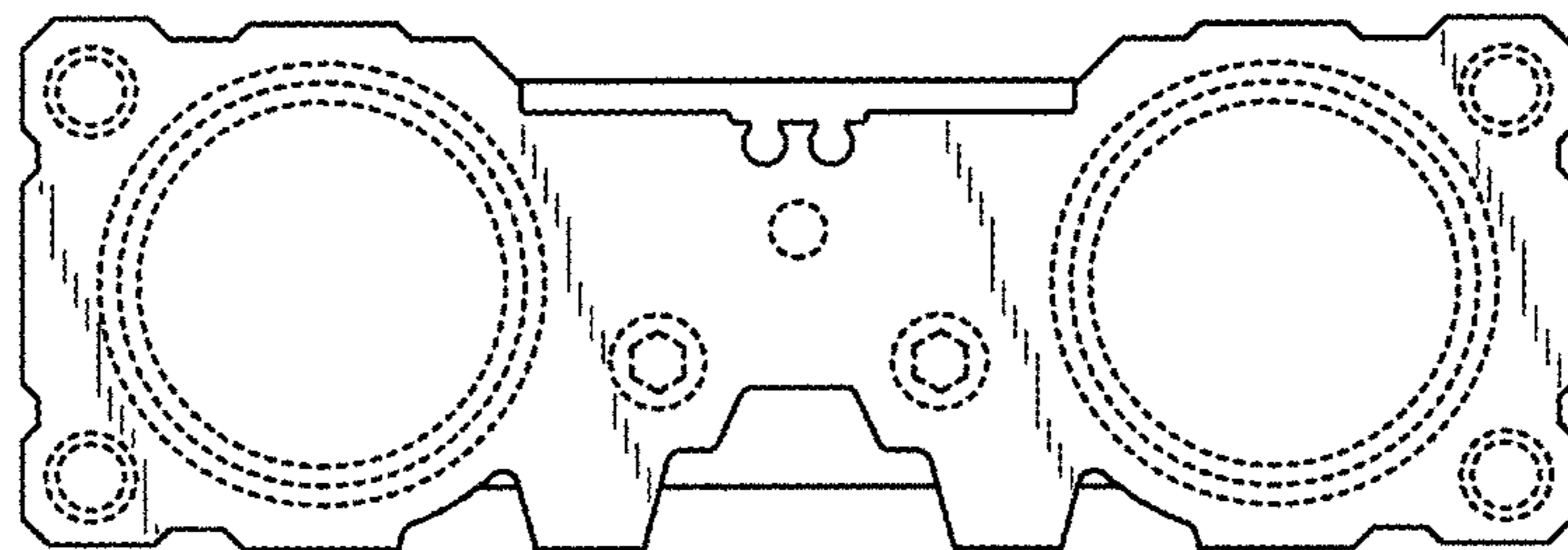


FIG. 15

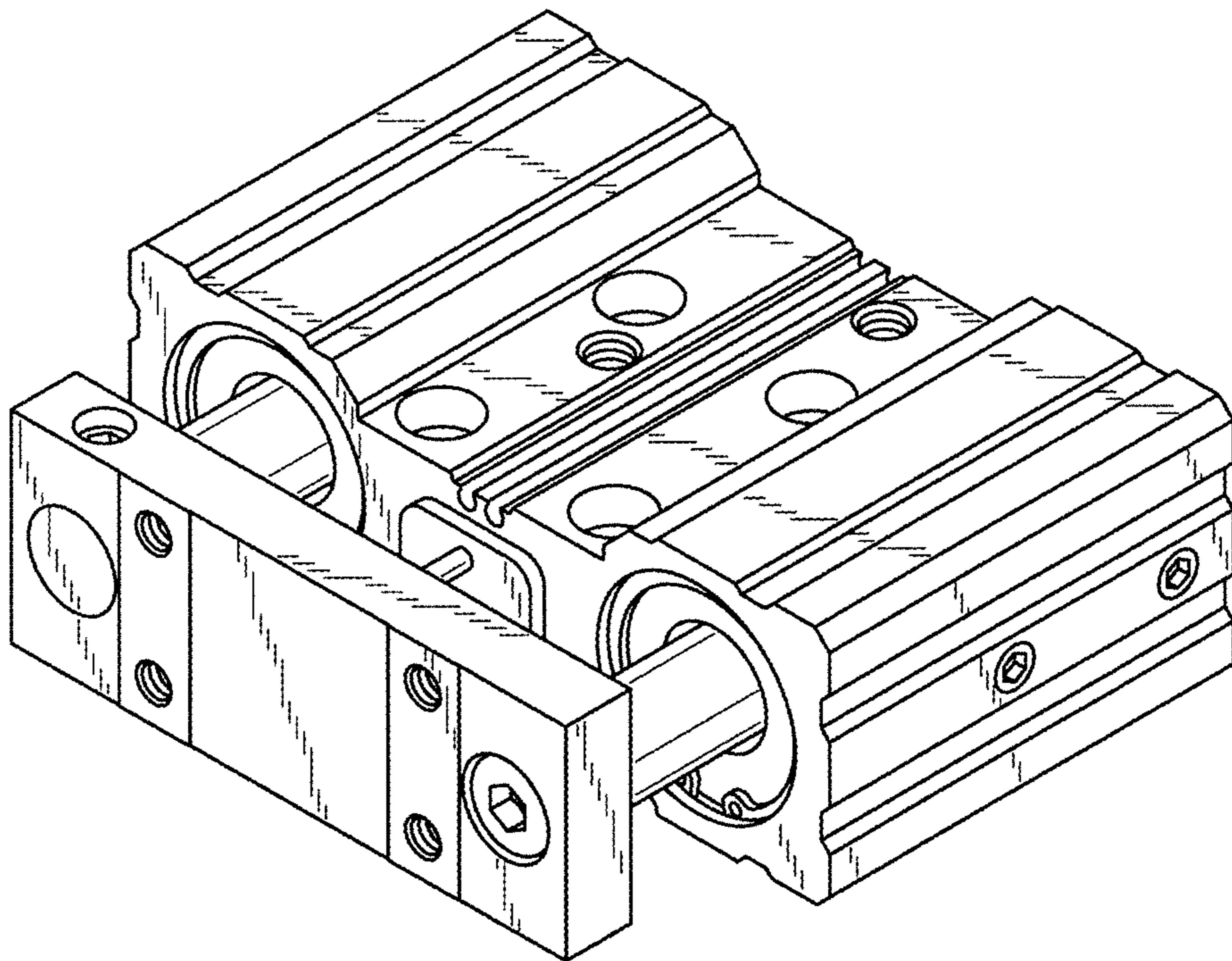


FIG. 16

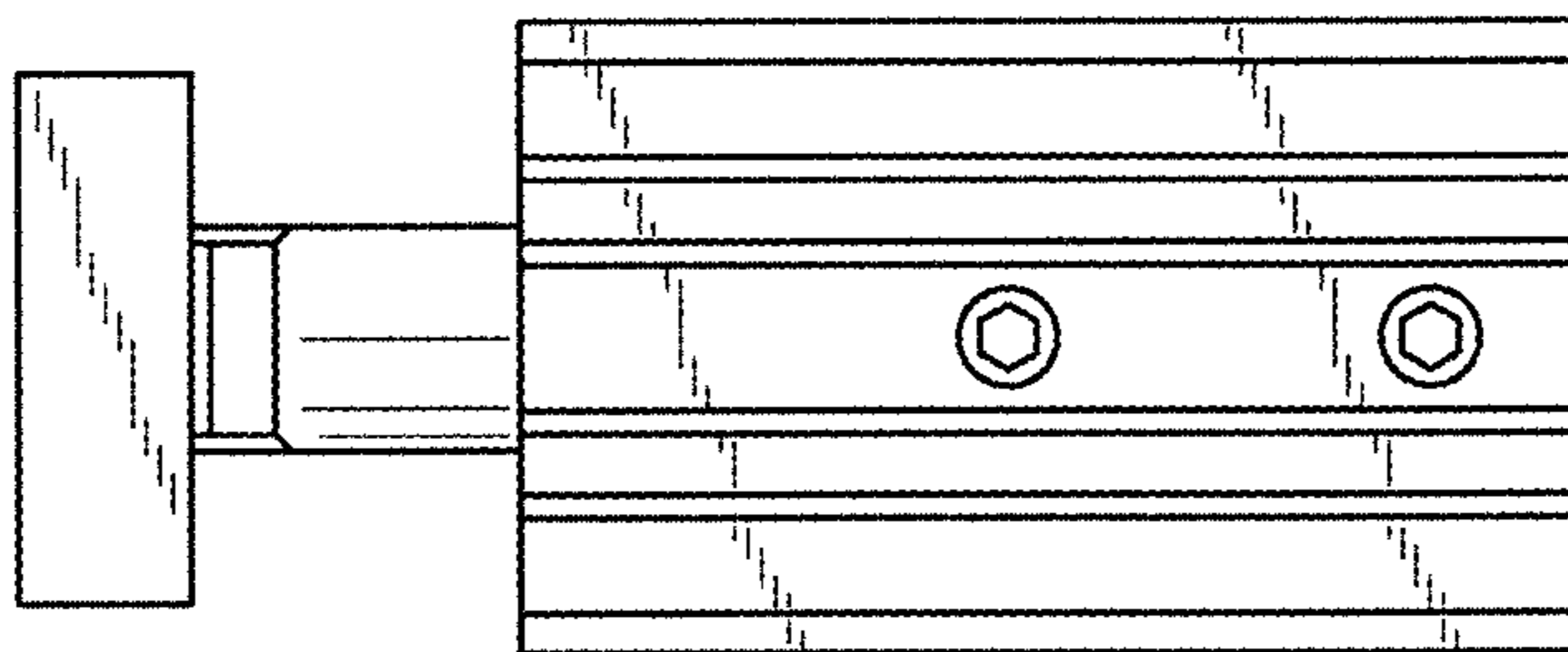


FIG. 17

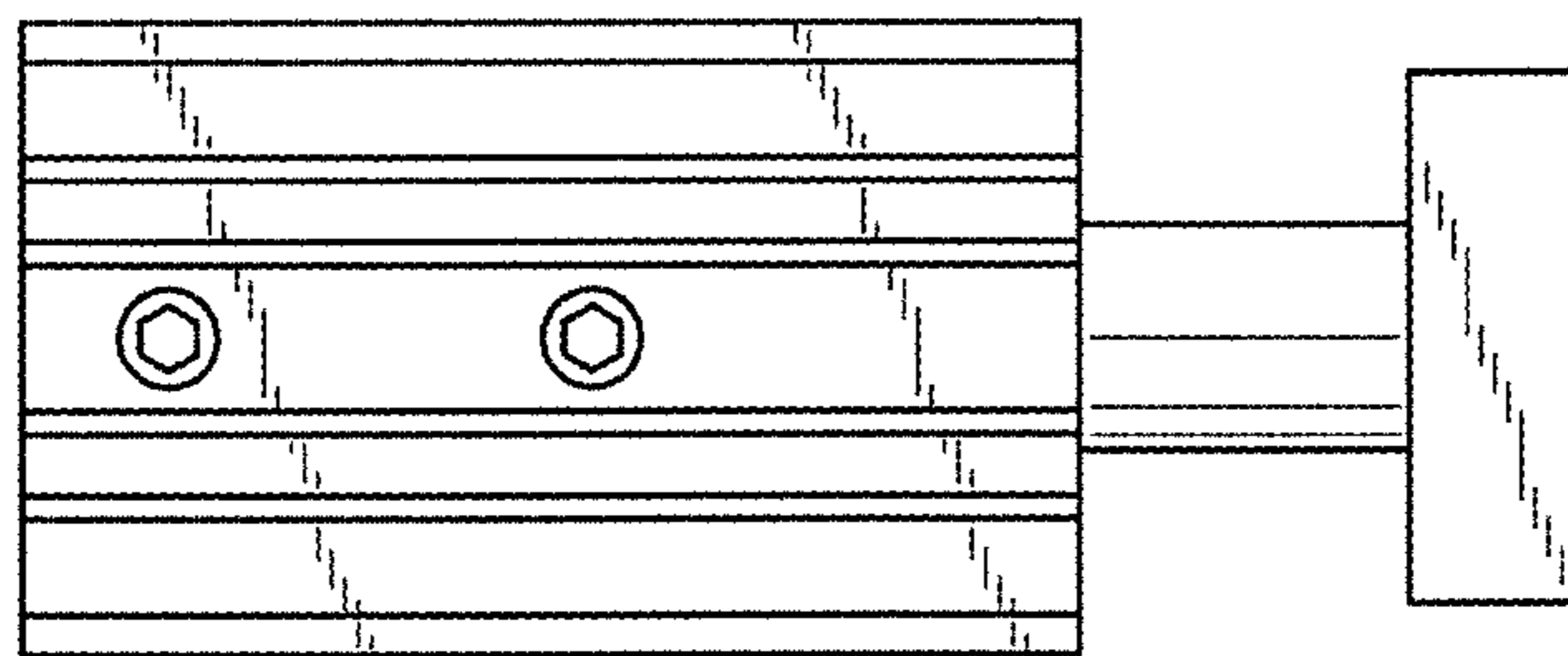


FIG. 18

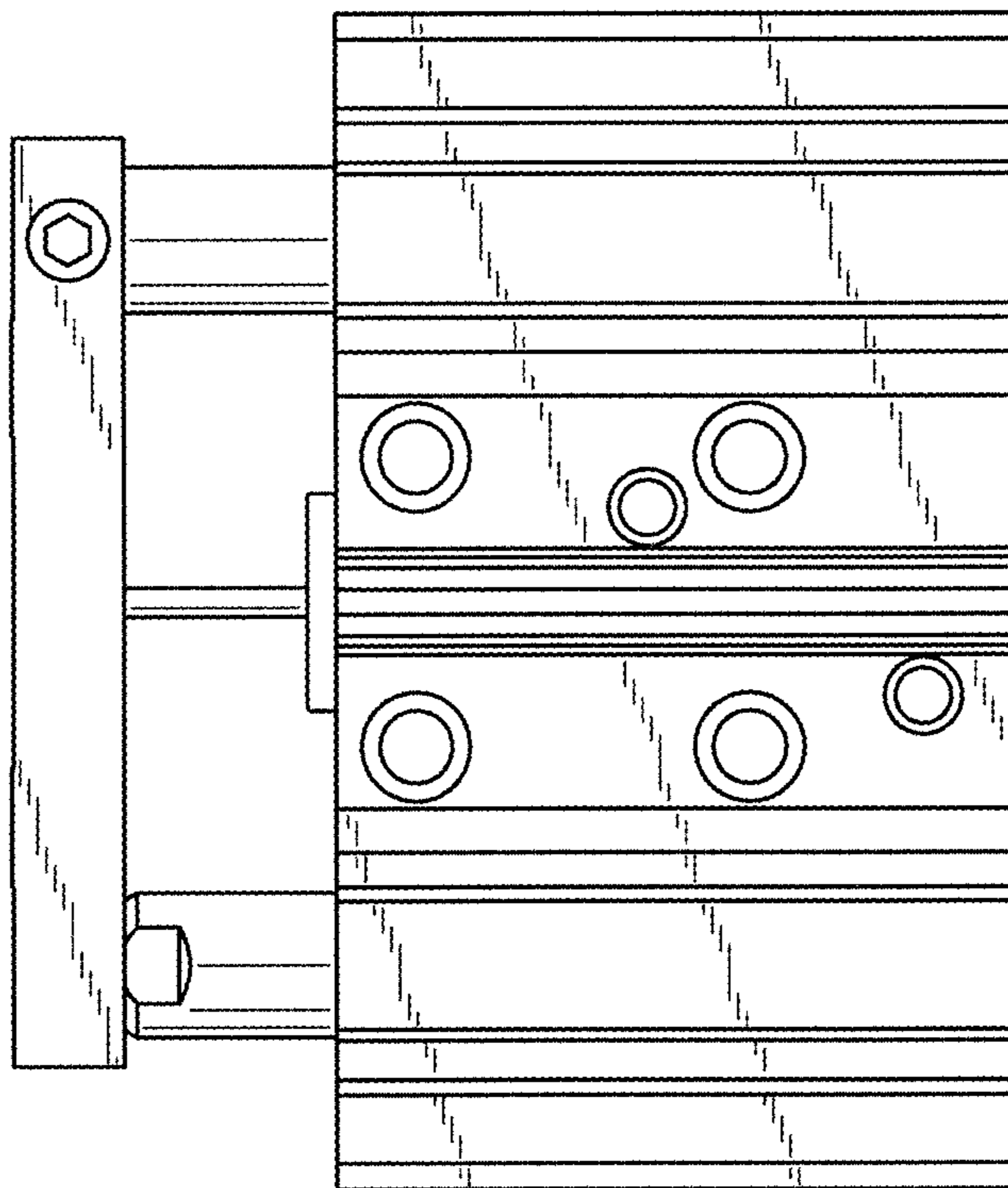


FIG. 19

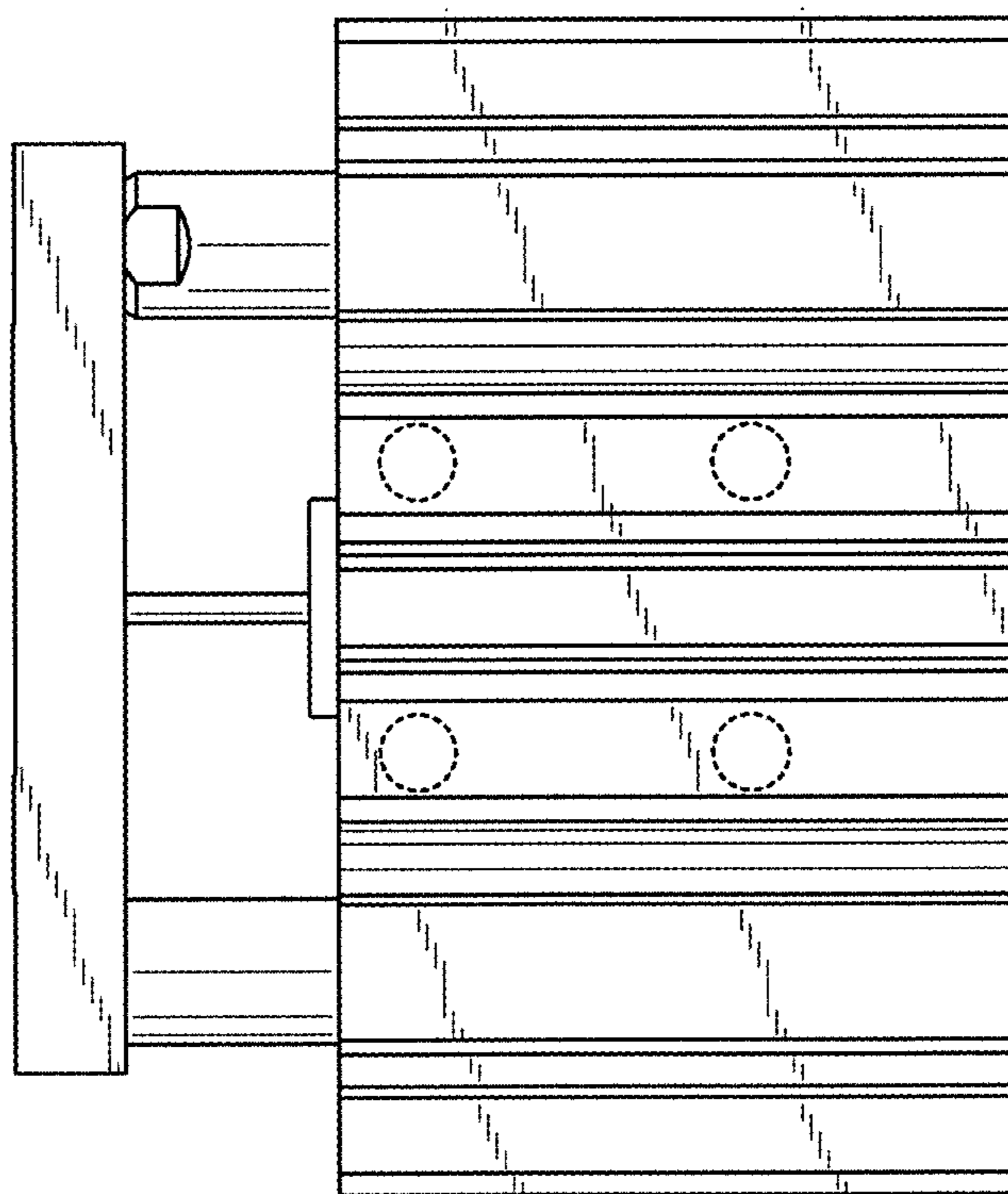


FIG. 20

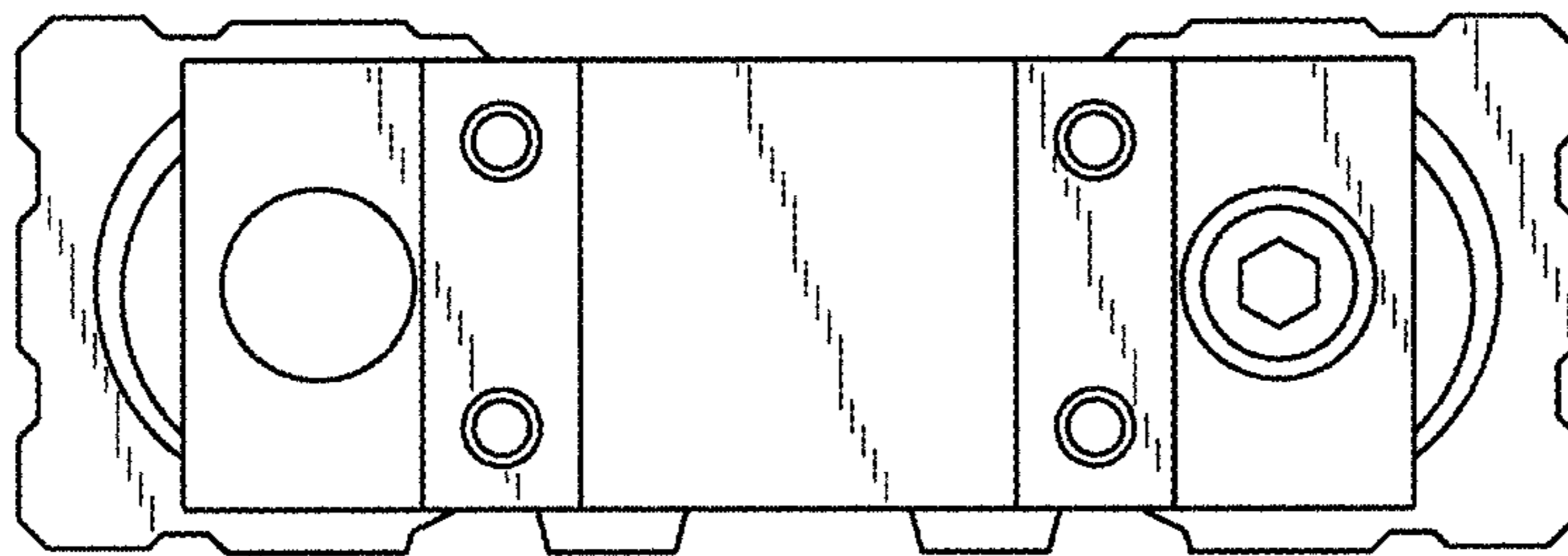


FIG. 21

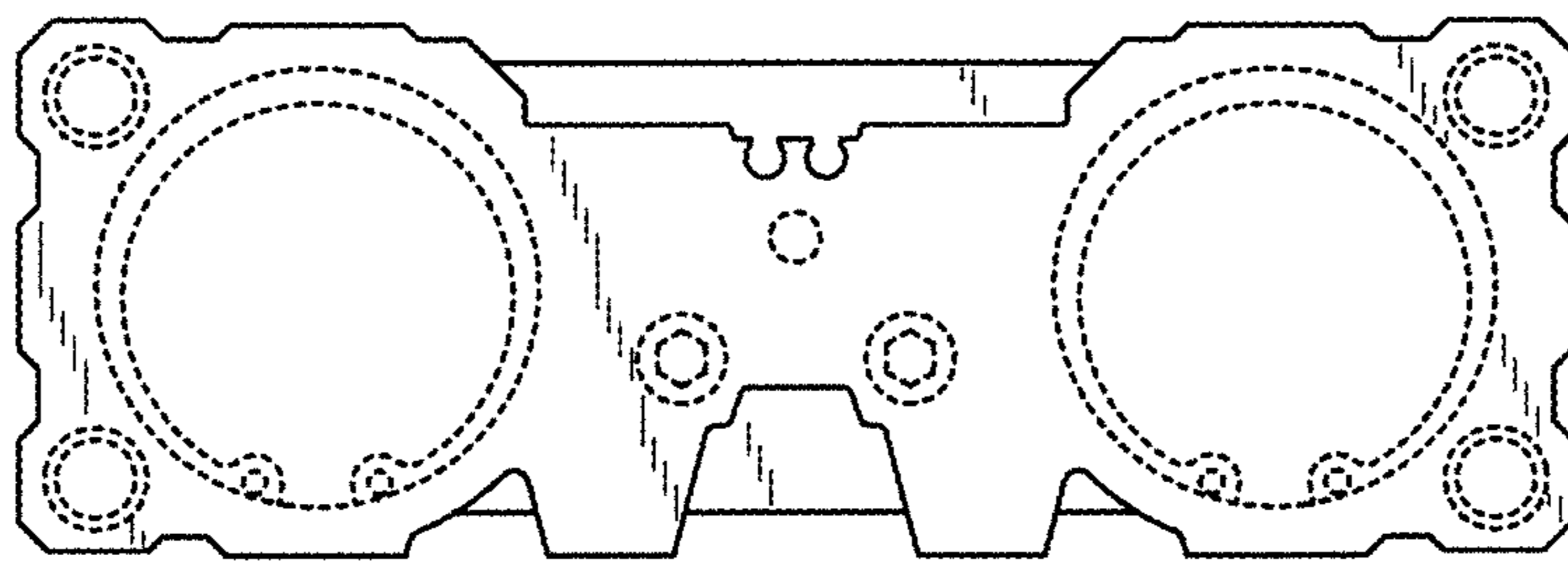


FIG. 22

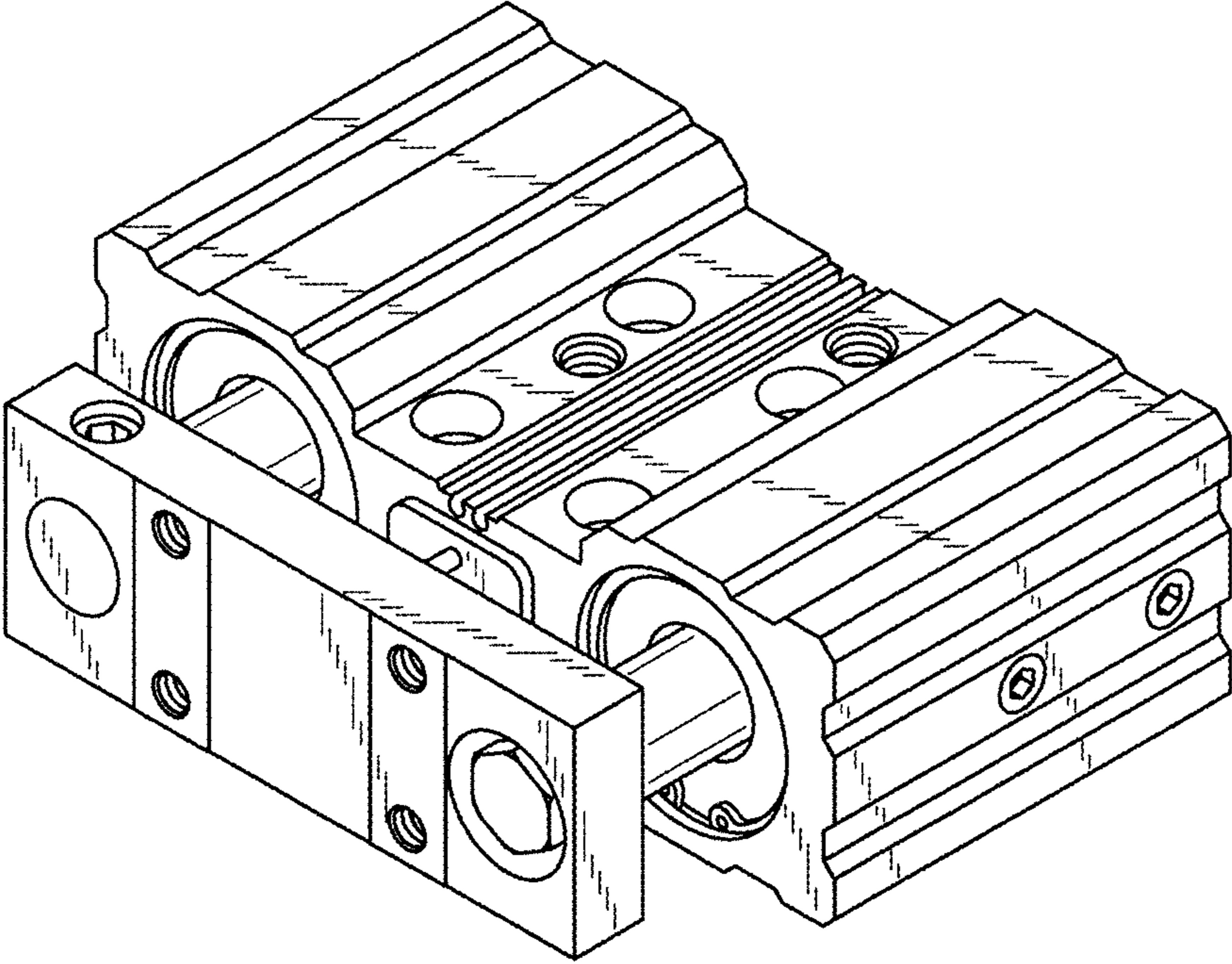


FIG. 23

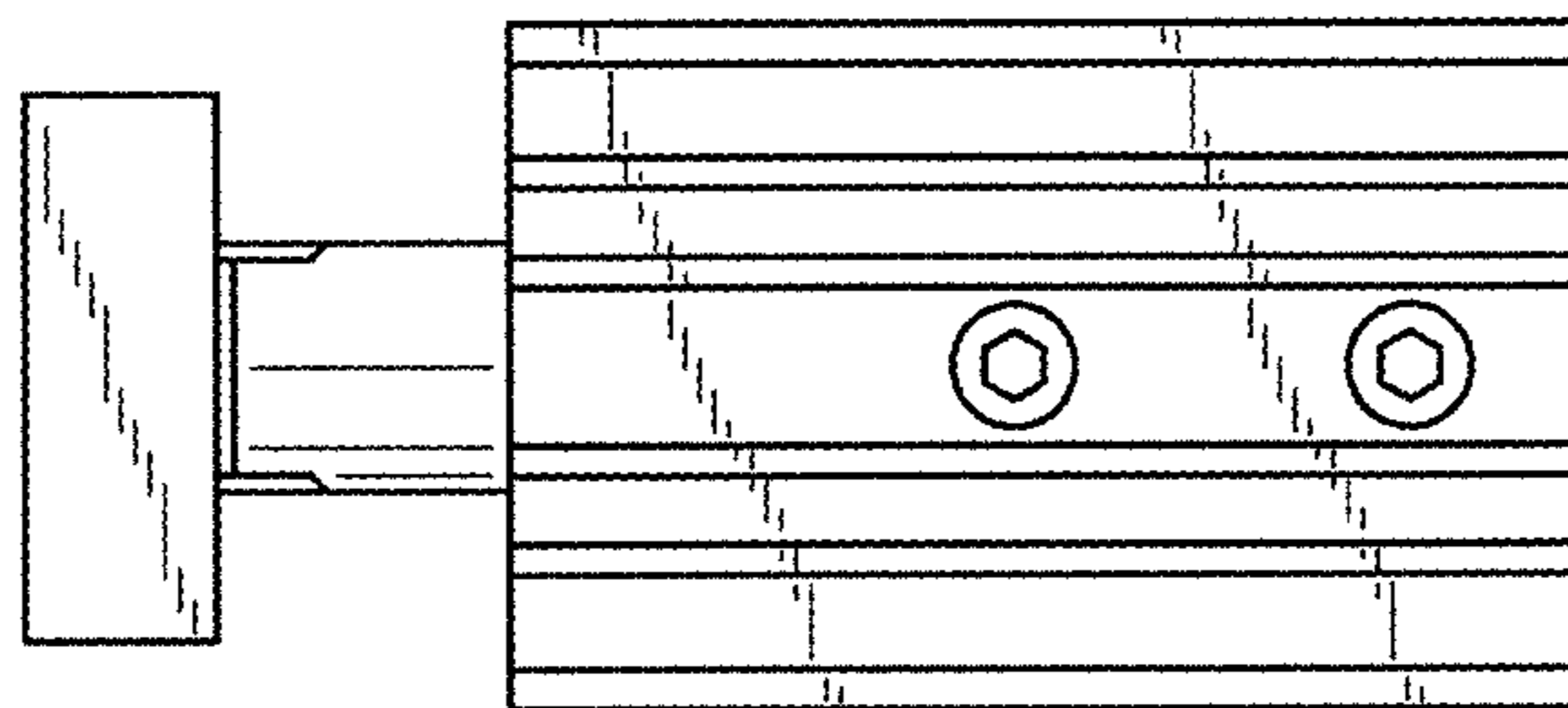


FIG. 24

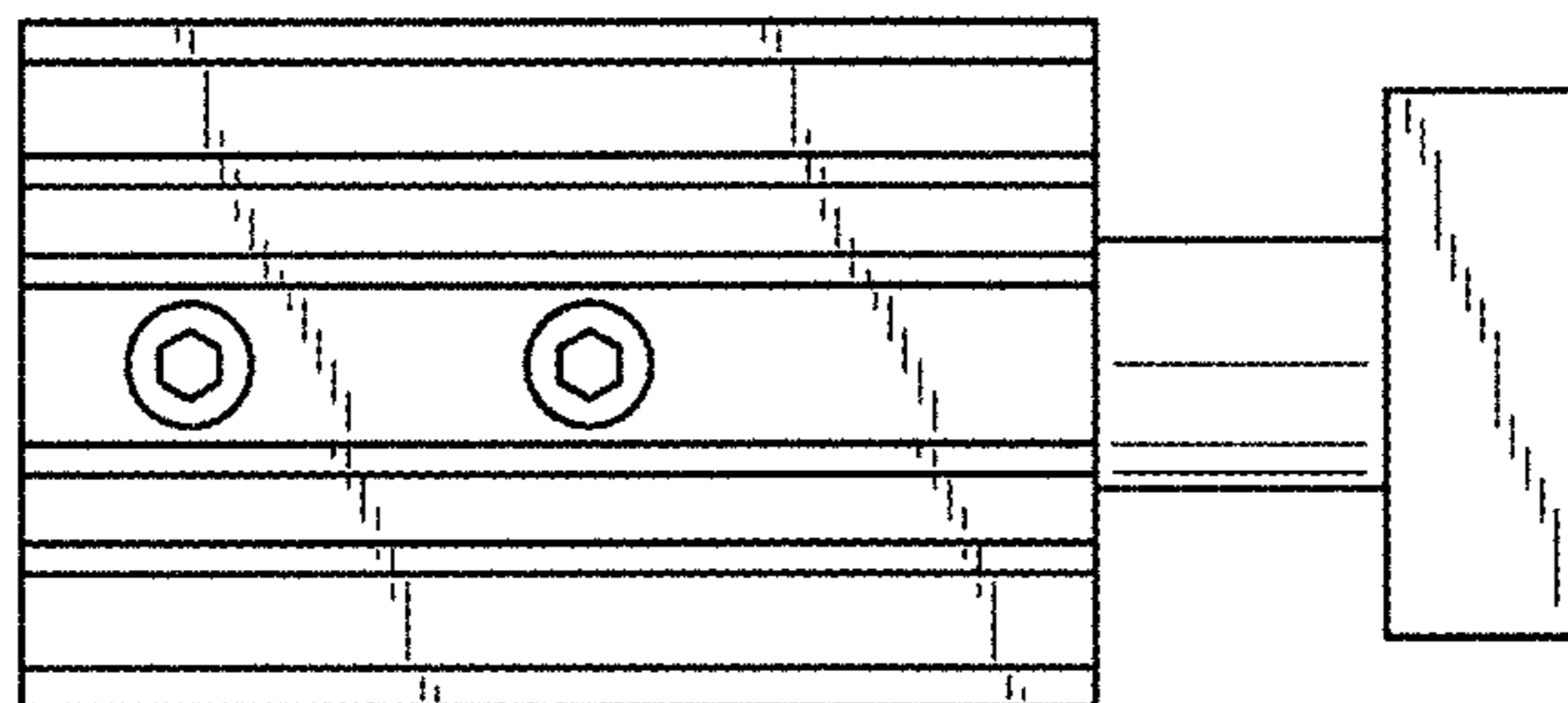


FIG. 25

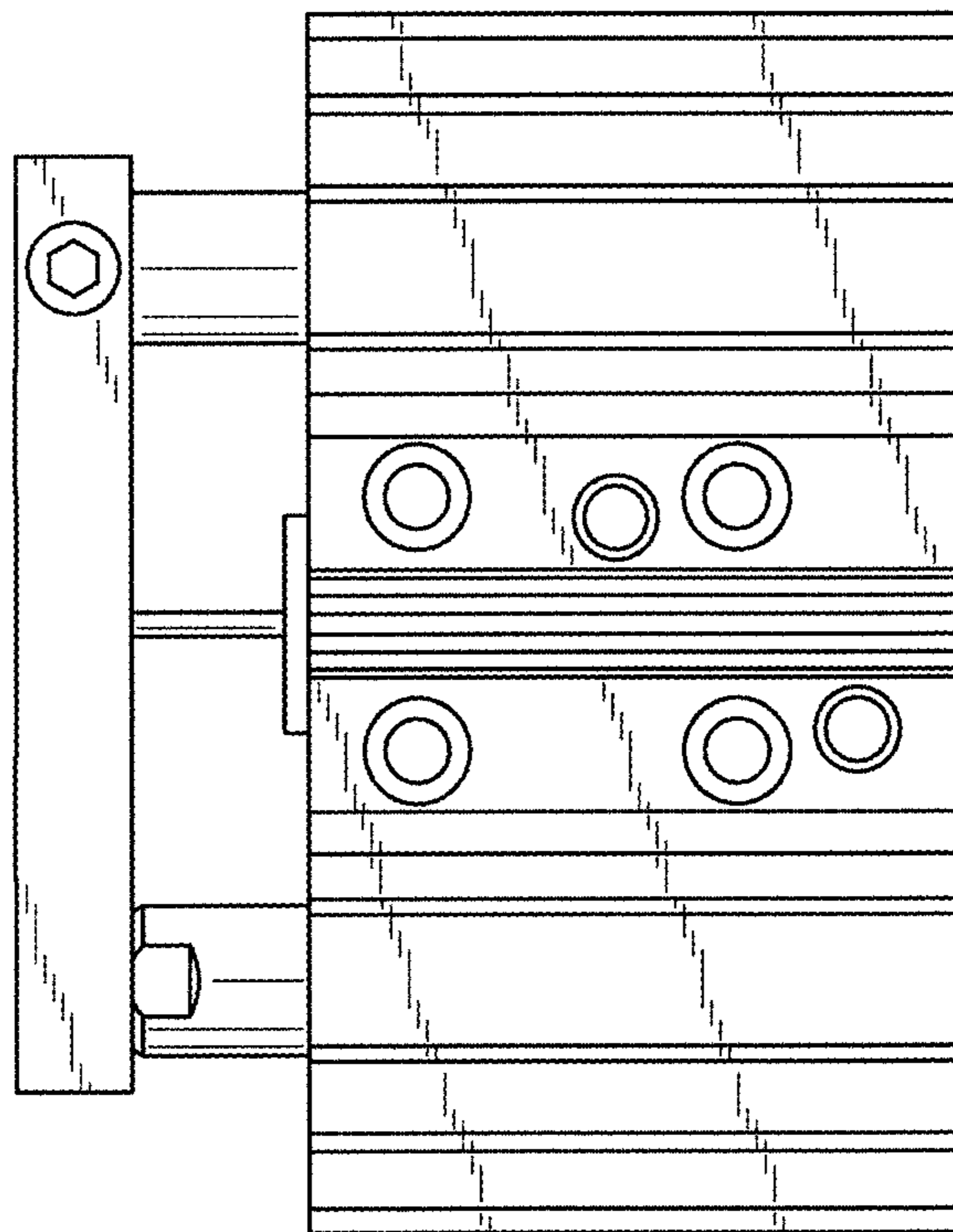


FIG. 26

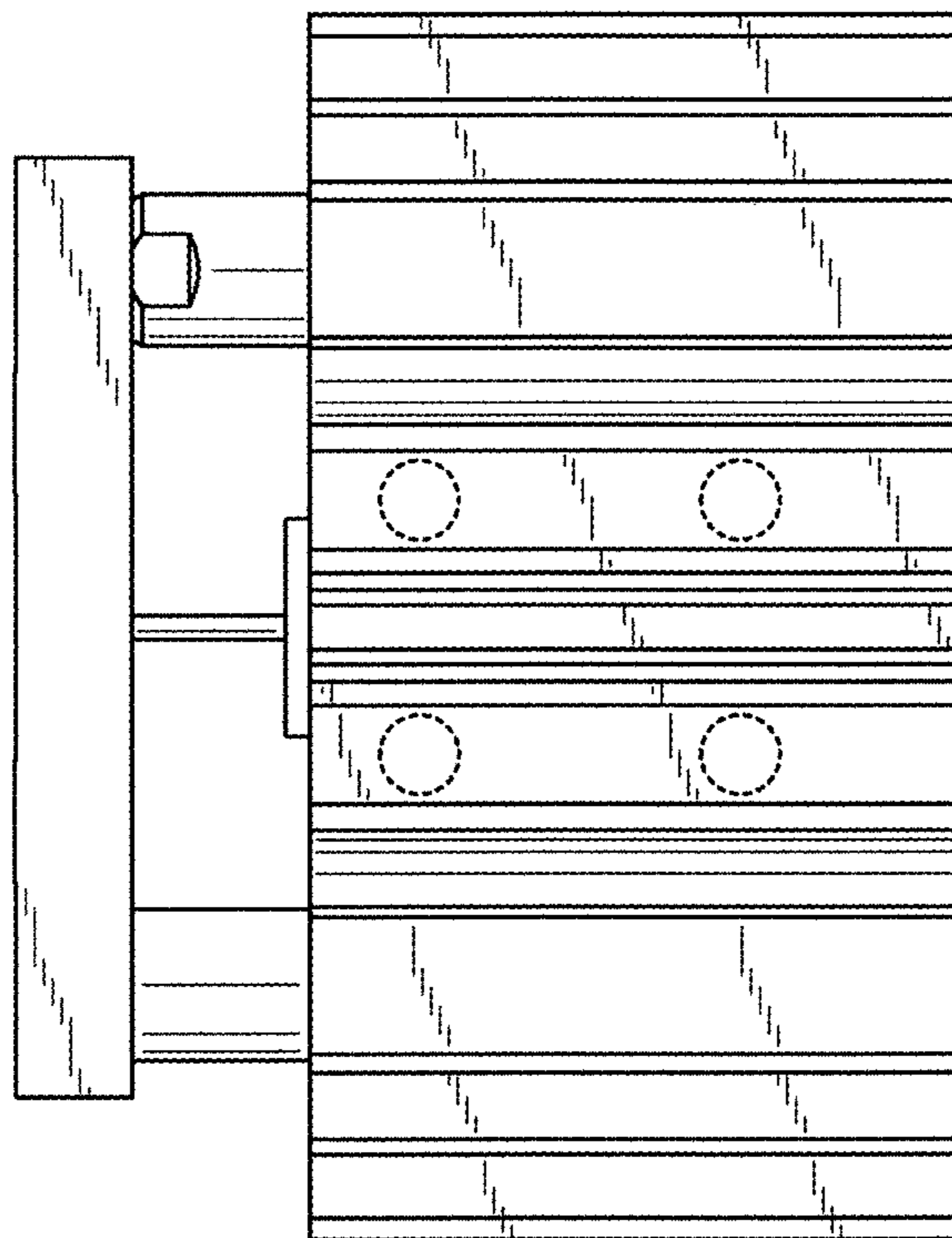


FIG. 27

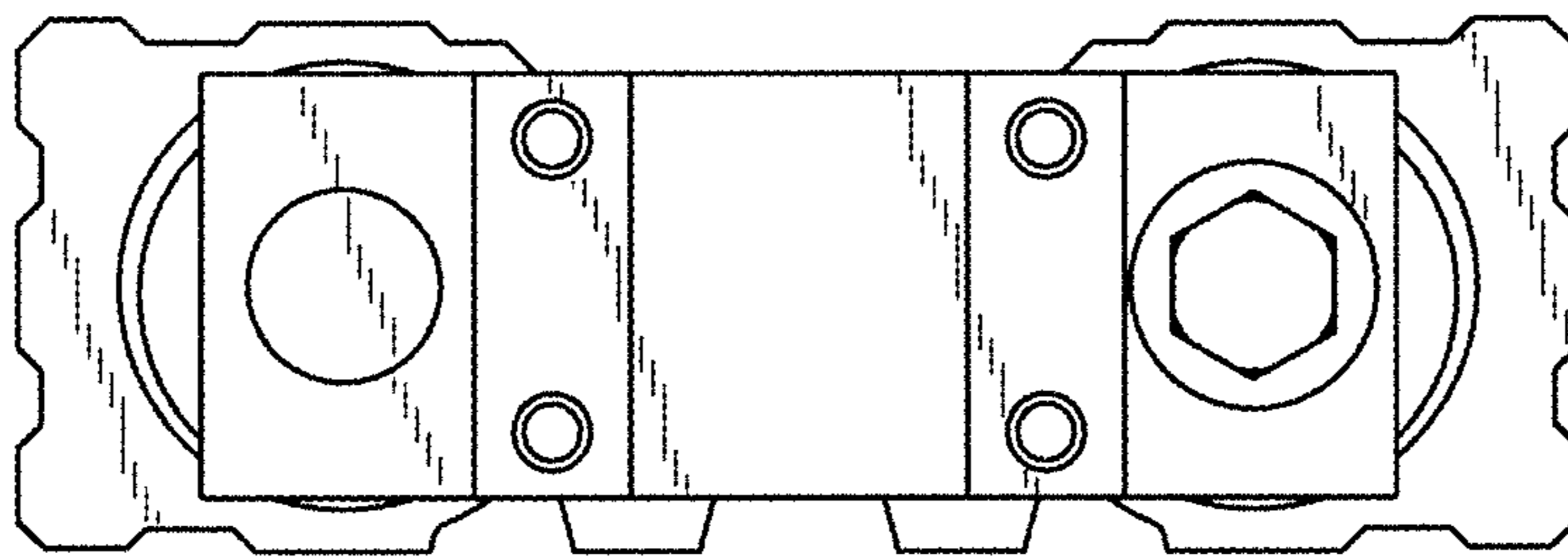


FIG. 28

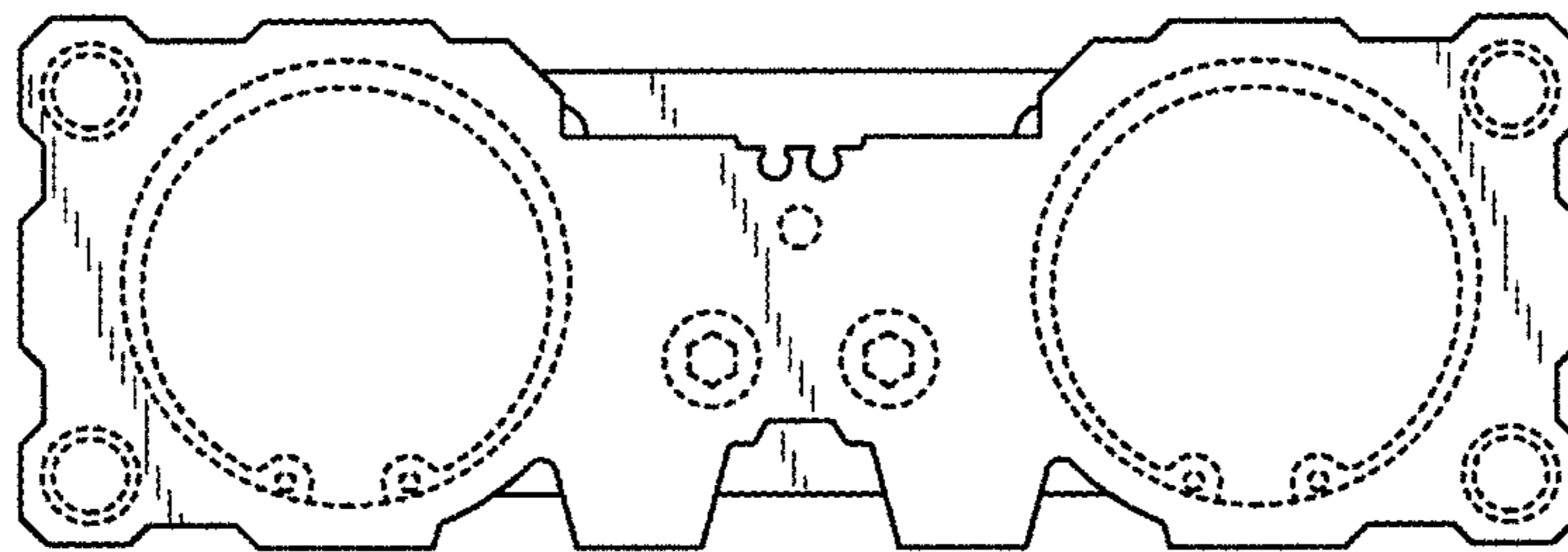


FIG. 29

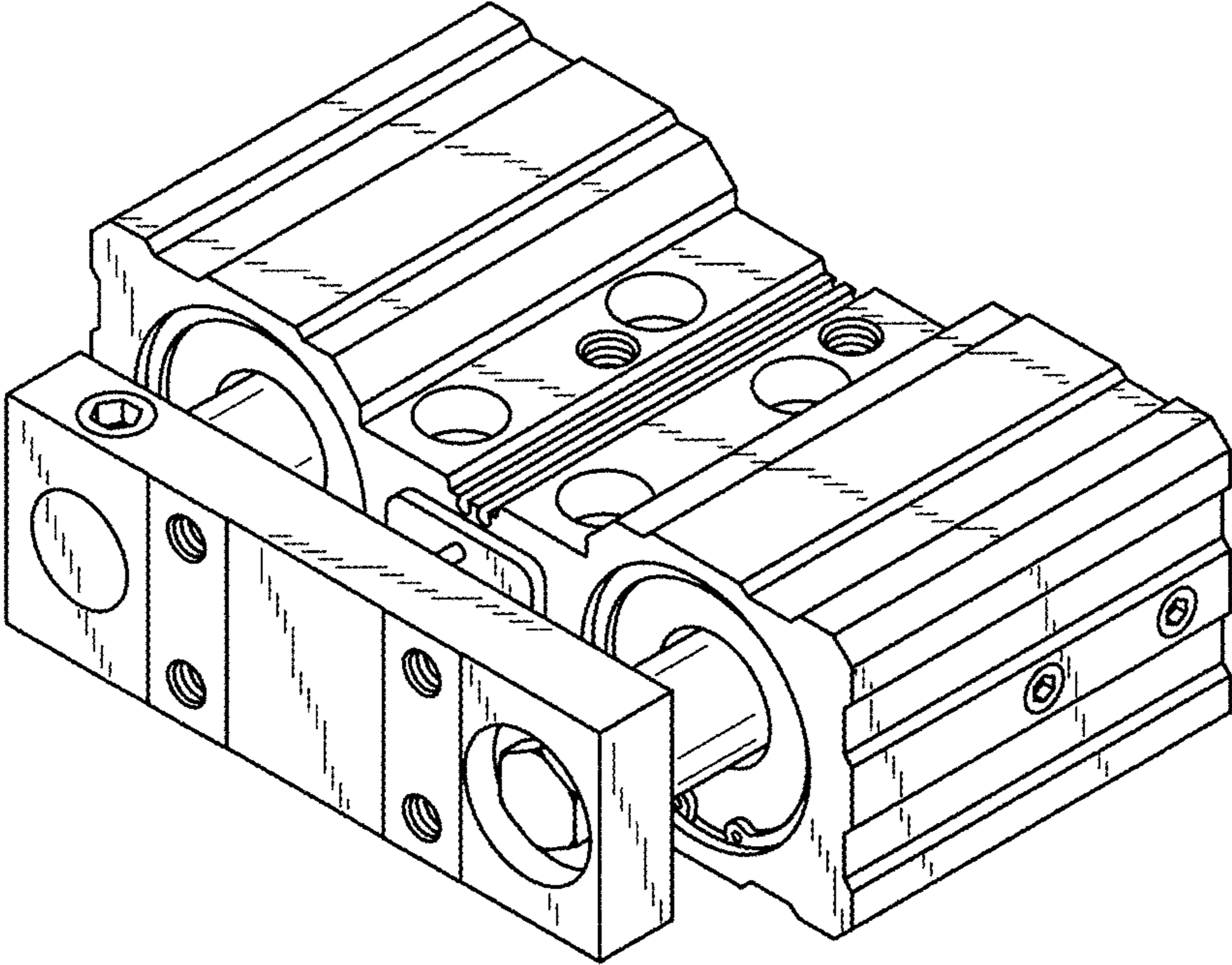


FIG. 30

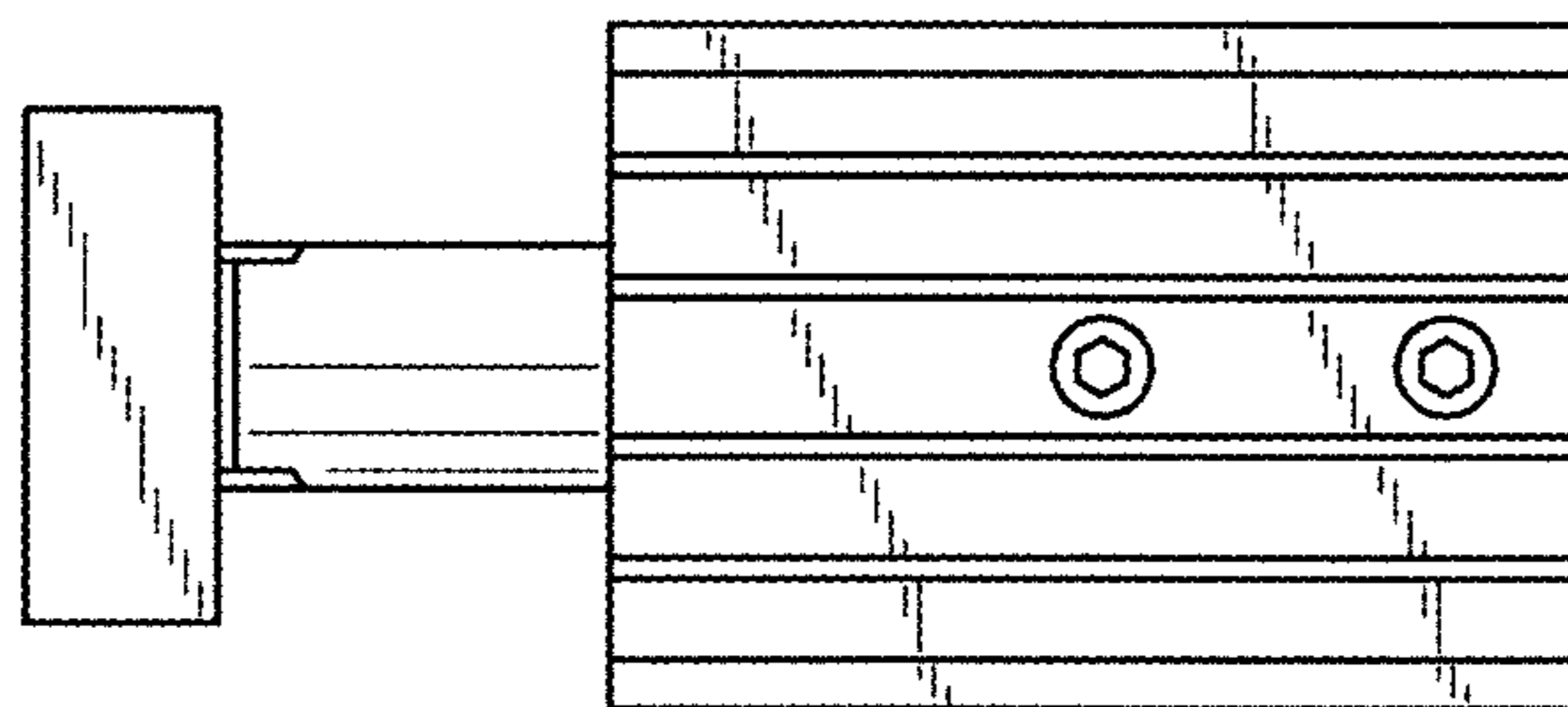


FIG. 32

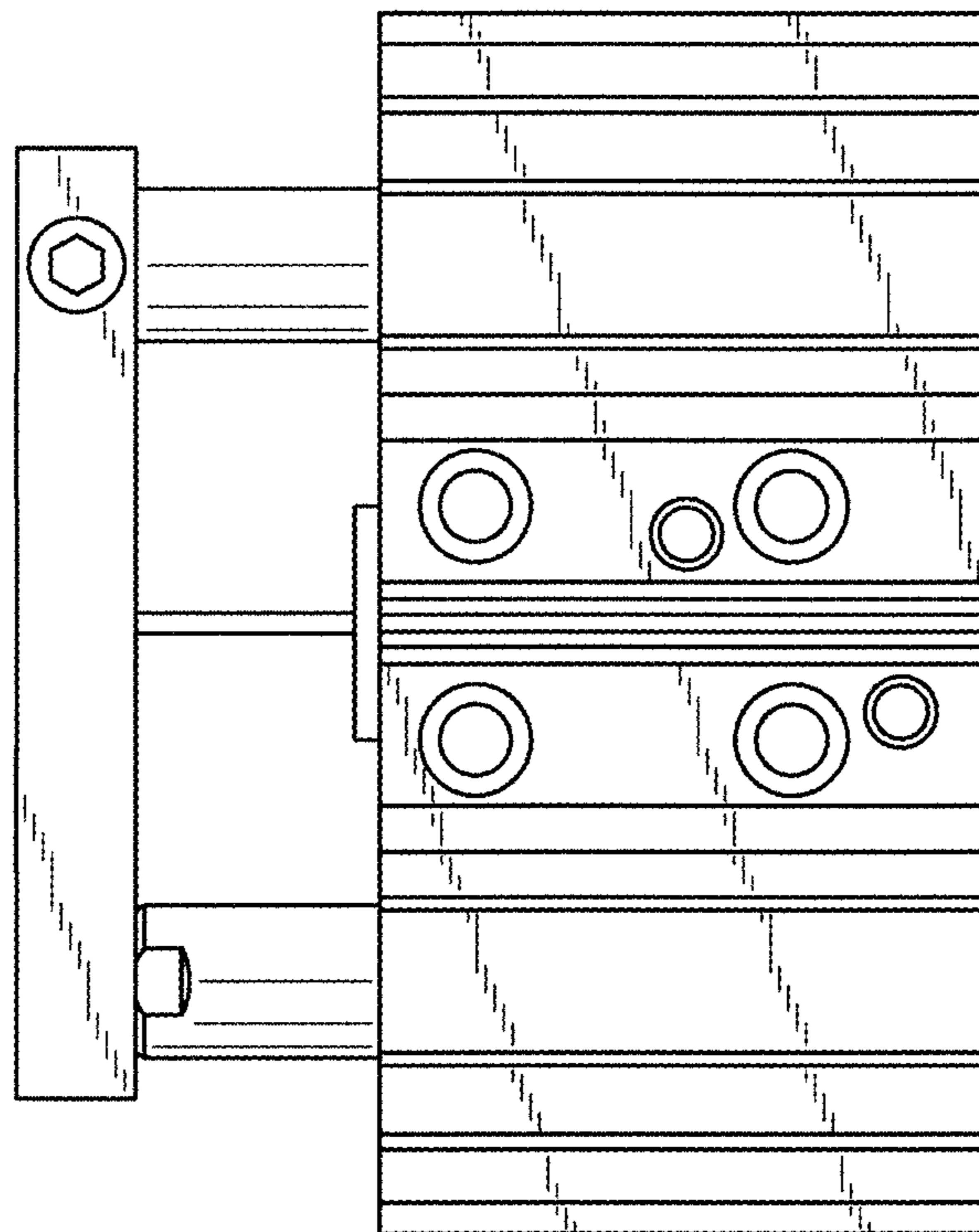


FIG. 33

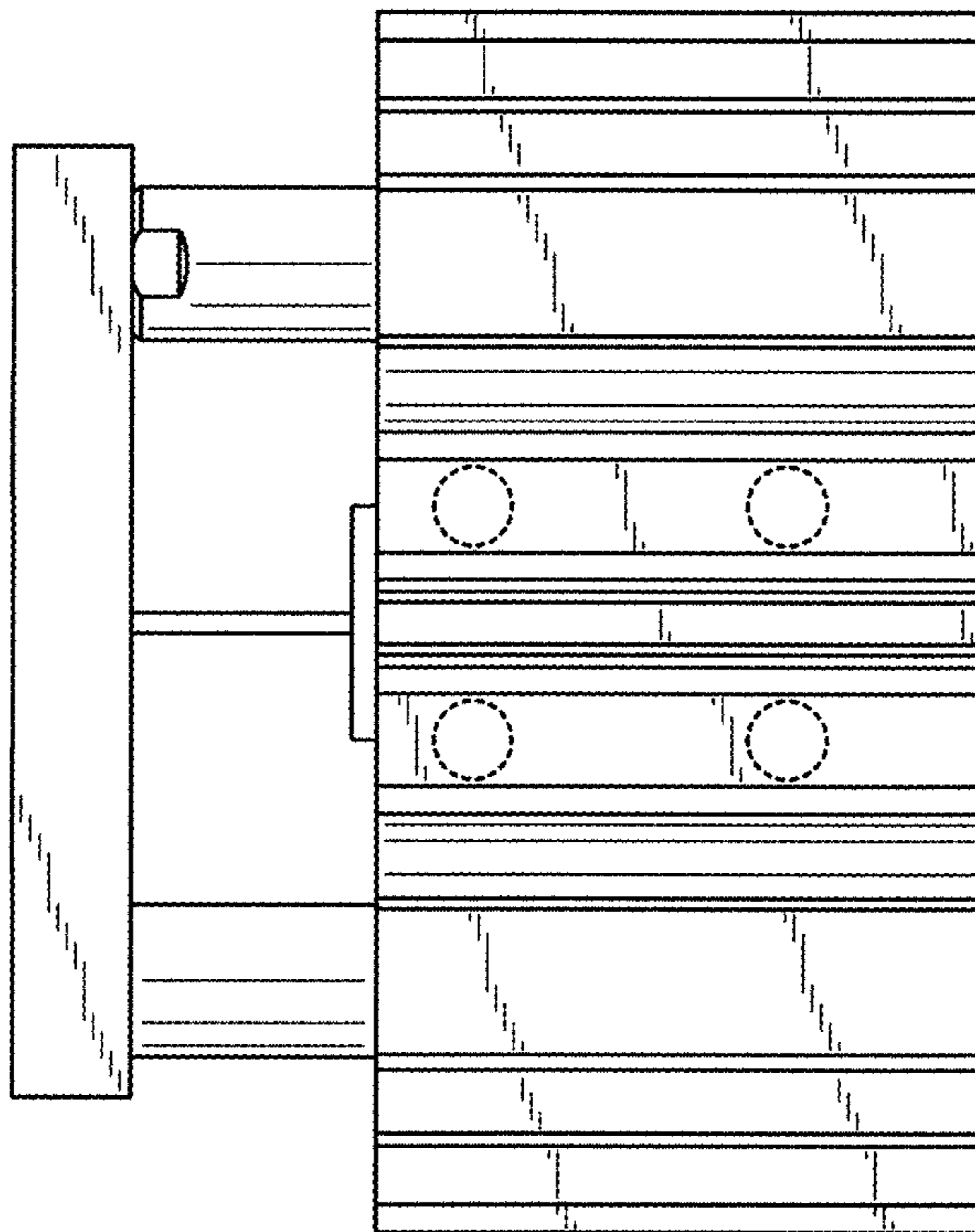


FIG. 34

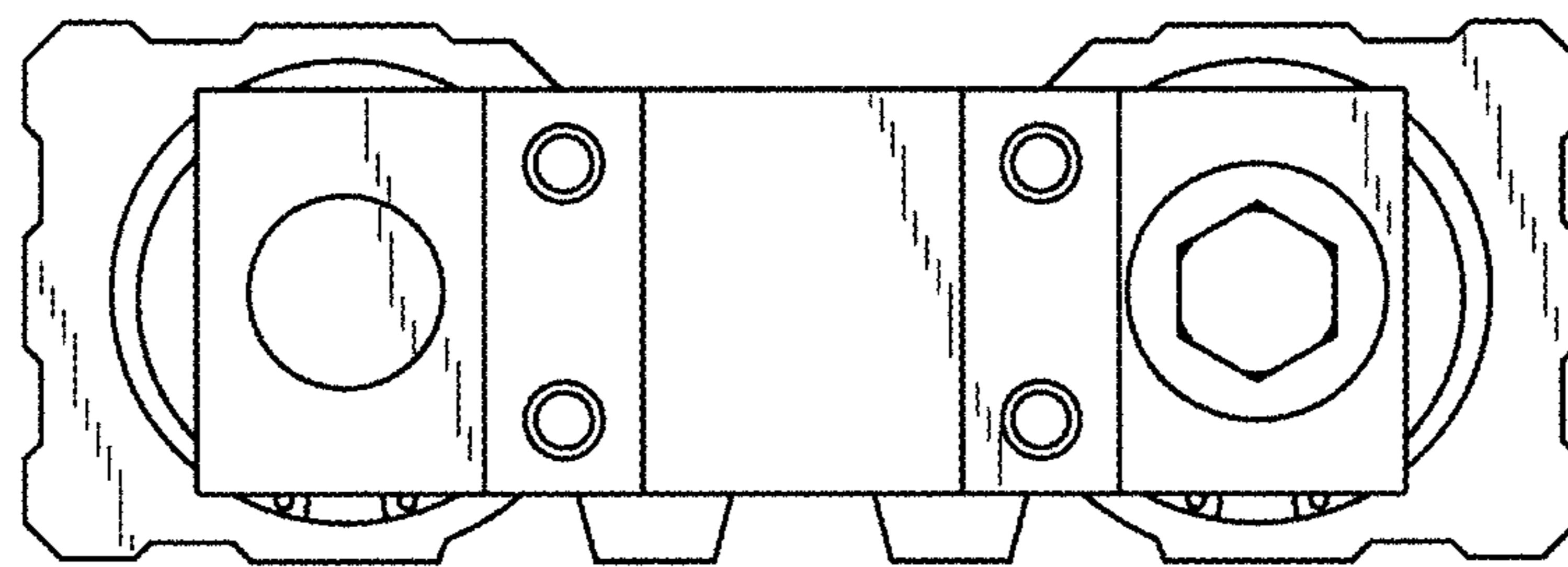


FIG. 35

