



US00D802715S

(12) **United States Design Patent** (10) **Patent No.:** **US D802,715 S**
Chen (45) **Date of Patent:** **** Nov. 14, 2017**

(54) **SPRINKLER** 7,284,714 B1 * 10/2007 Wang B05B 1/1663
239/240

(71) Applicant: **Yuan Mei Corp.**, Chang Hua Hsien
(TW) D554,736 S 11/2007 Cheng
D554,737 S 11/2007 Lo
D554,739 S 11/2007 Lo
D554,740 S 11/2007 Lo

(72) Inventor: **Hung-Wen Chen**, Chang Hua Hsien
(TW) D559,352 S 1/2008 Lo
D597,628 S * 8/2009 Goetz D23/221
D599,882 S 9/2009 Cheng

(73) Assignee: **Yuan Mei Corp.**, Chang Hua Hsien
(TW) D613,371 S * 4/2010 Nies D23/216
D615,610 S * 5/2010 Cheng D23/214
D615,612 S * 5/2010 Cheng D23/214
D616,063 S * 5/2010 Cheng D23/214
D618,308 S * 6/2010 Nies D23/216
D652,485 S * 1/2012 Nies D23/221

(**) Term: **15 Years**

(21) Appl. No.: **29/565,910** (Continued)

(22) Filed: **May 25, 2016**

(51) **LOC (10) Cl.** **23-01**

(52) **U.S. Cl.**
USPC **D23/221**

(58) **Field of Classification Search**
USPC D23/201, 211, 213, 221, 223, 225, 226,
D23/229
CPC B05B 1/18; B05B 1/00-1/08; B05B 1/20;
B05B 15/063
See application file for complete search history.

FOREIGN PATENT DOCUMENTS

DE 102006043879 A1 9/2007
DE 102006043883 A1 9/2007

Primary Examiner — Robin V Webster
Assistant Examiner — Rachel Voorhies
(74) *Attorney, Agent, or Firm* — Senniger Powers LLP

(57) **CLAIM**

The ornamental design for a sprinkler, as shown and described.

(56) **References Cited**

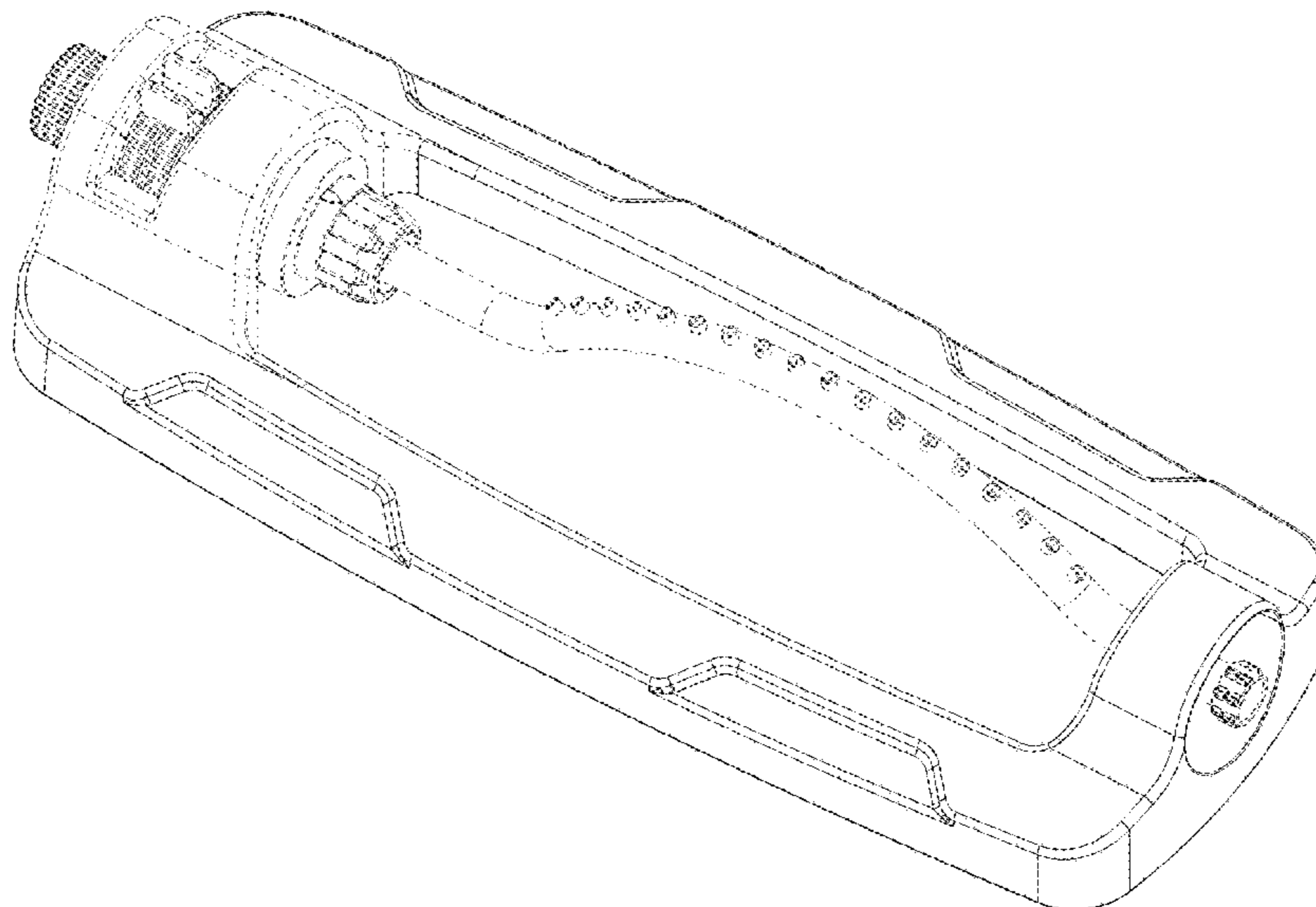
U.S. PATENT DOCUMENTS

D178,782 S * 9/1956 Jepson et al. D23/216
D366,308 S * 1/1996 Goodman D23/216
D371,596 S 7/1996 Simonetti
5,657,928 A 8/1997 Jian
D387,127 S * 12/1997 Guo D23/216
5,938,122 A 8/1999 Heren et al.
D440,629 S 4/2001 Guo
D458,983 S * 6/2002 Chen D23/216
6,478,241 B1 11/2002 Guo
D469,849 S 2/2003 Nien
D470,218 S * 2/2003 Alkalay D23/216
D479,574 S 9/2003 Nien
D500,122 S 12/2004 Schapper

DESCRIPTION

FIG. 1 is a perspective view of a sprinkler showing my new design;
FIG. 2 is a front elevational view thereof;
FIG. 3 is a rear elevational view thereof;
FIG. 4 is a left side elevational view thereof;
FIG. 5 is a right side elevational view thereof;
FIG. 6 is a top plan view thereof; and,
FIG. 7 is a bottom plan view thereof.
Portions of the sprinkler are shown in broken lines for illustrative purposes and form no part of the claimed design.

1 Claim, 7 Drawing Sheets



(56)

References Cited

U.S. PATENT DOCUMENTS

D652,486 S *	1/2012	Nies	D23/221
D702,813 S *	4/2014	Vedantam	D23/221
D702,814 S *	4/2014	Vedantam	D23/221
2007/0235568 A1	10/2007	Wang et al.	
2008/0054103 A1 *	3/2008	Nies	B05B 3/044 239/562
2013/0037624 A1 *	2/2013	Helmsderfer	B05B 1/02 239/66

* cited by examiner

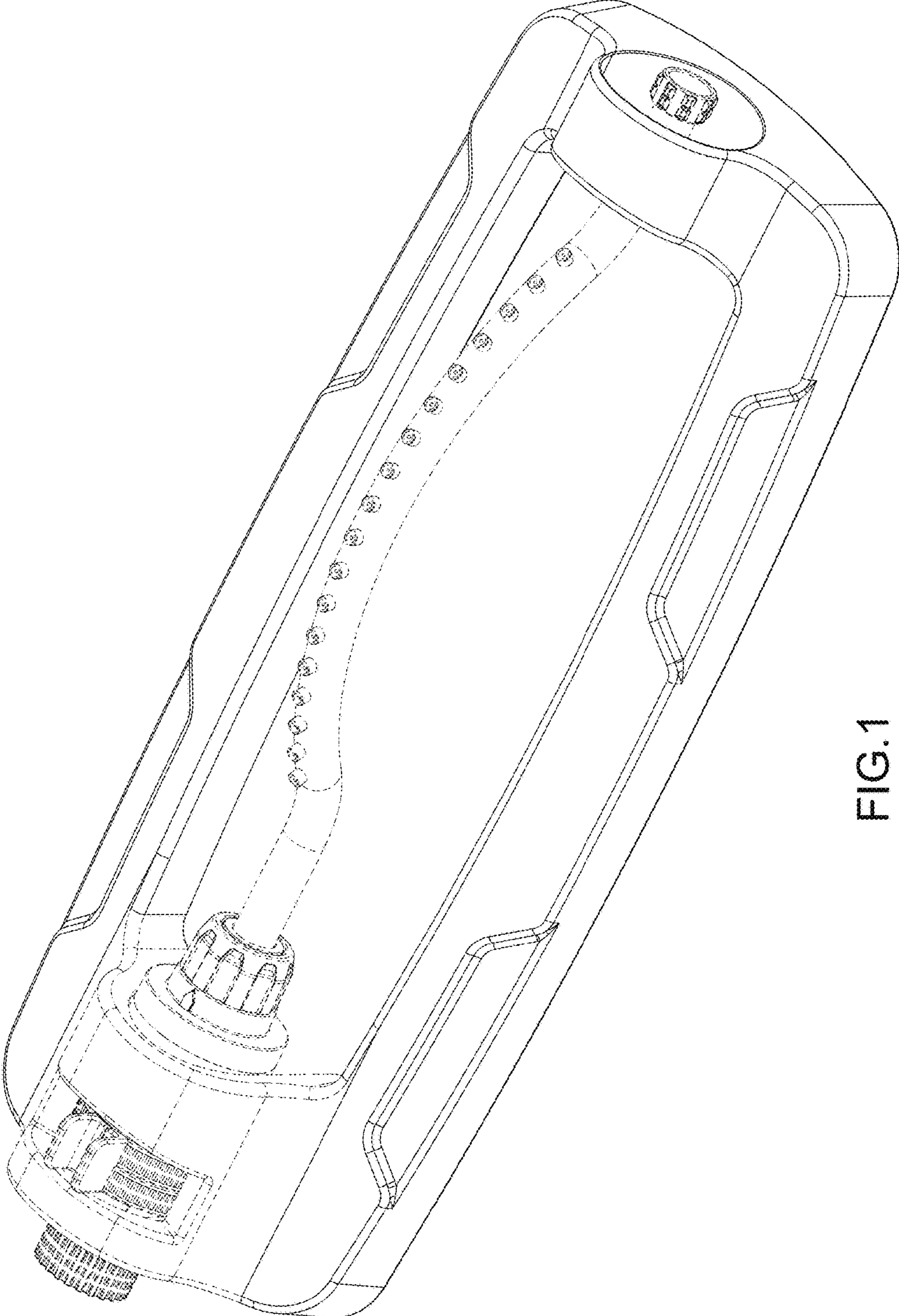


FIG. 1

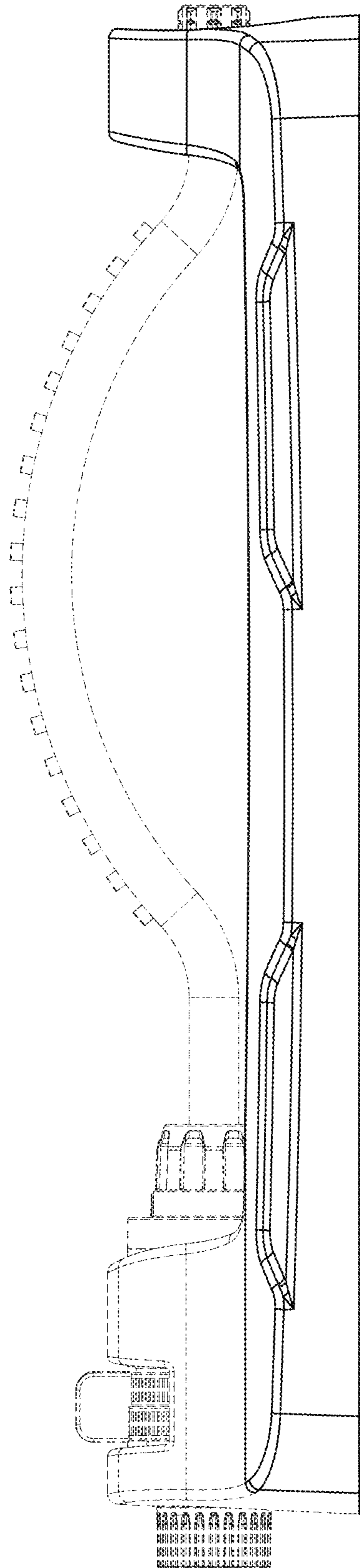


FIG.2

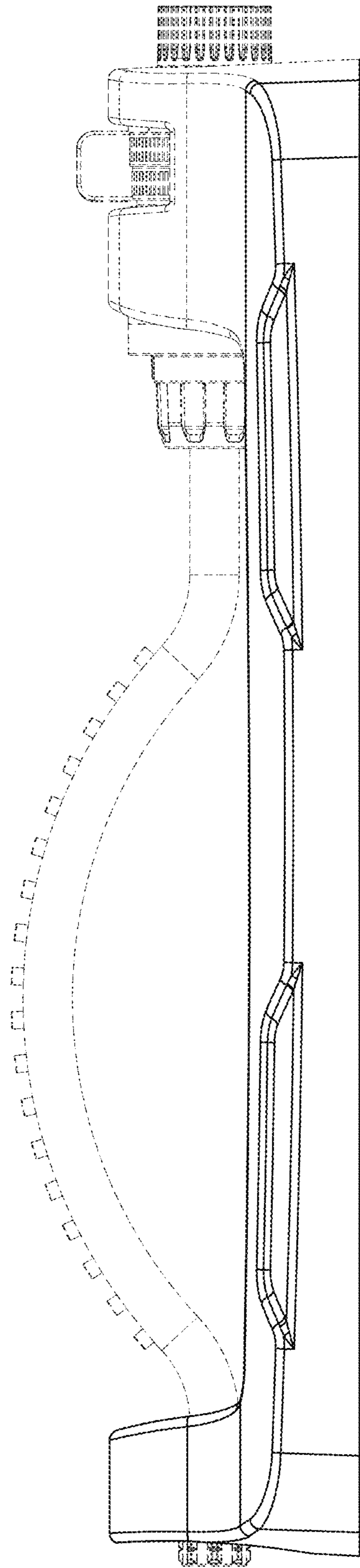


FIG.3

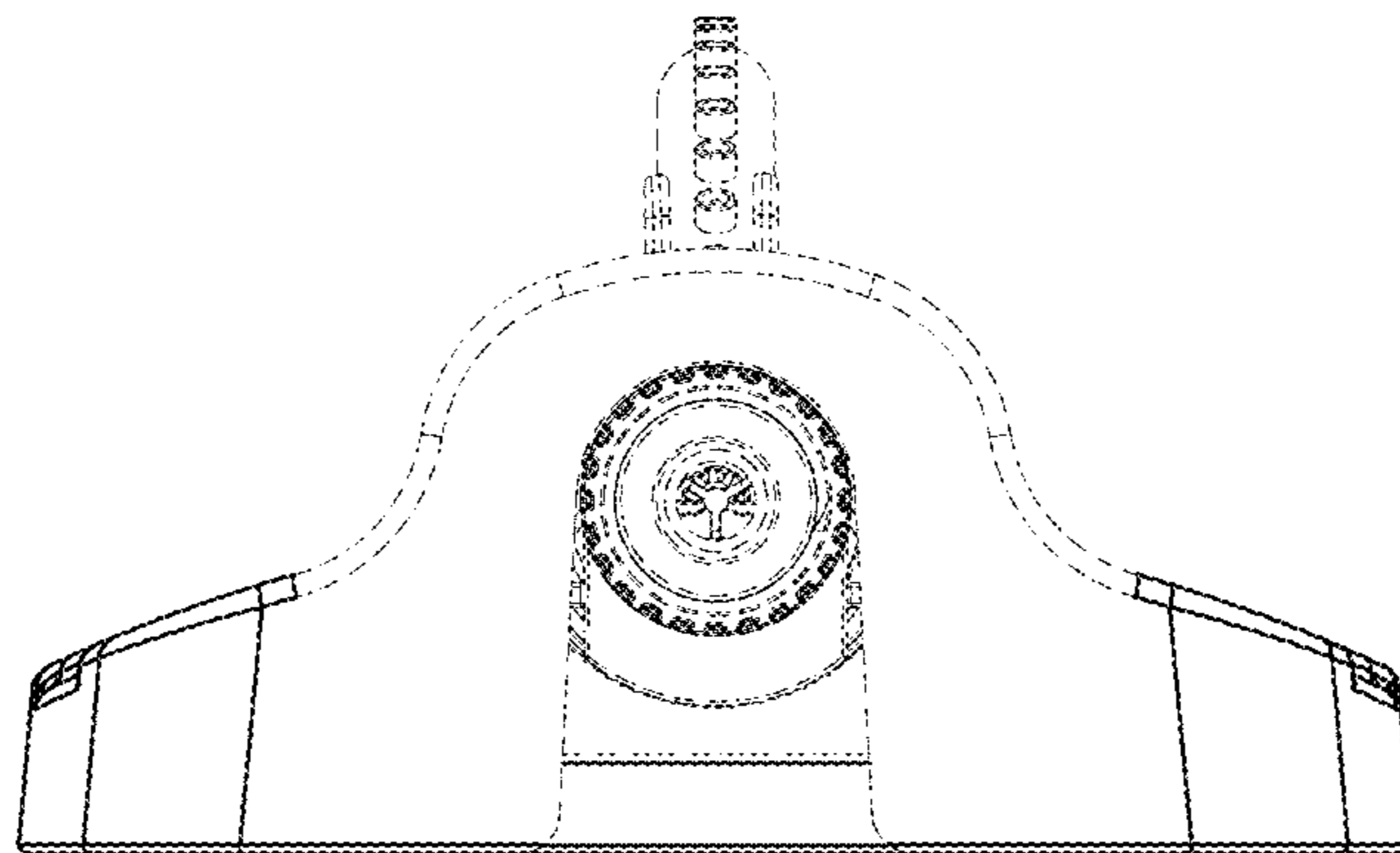


FIG.4

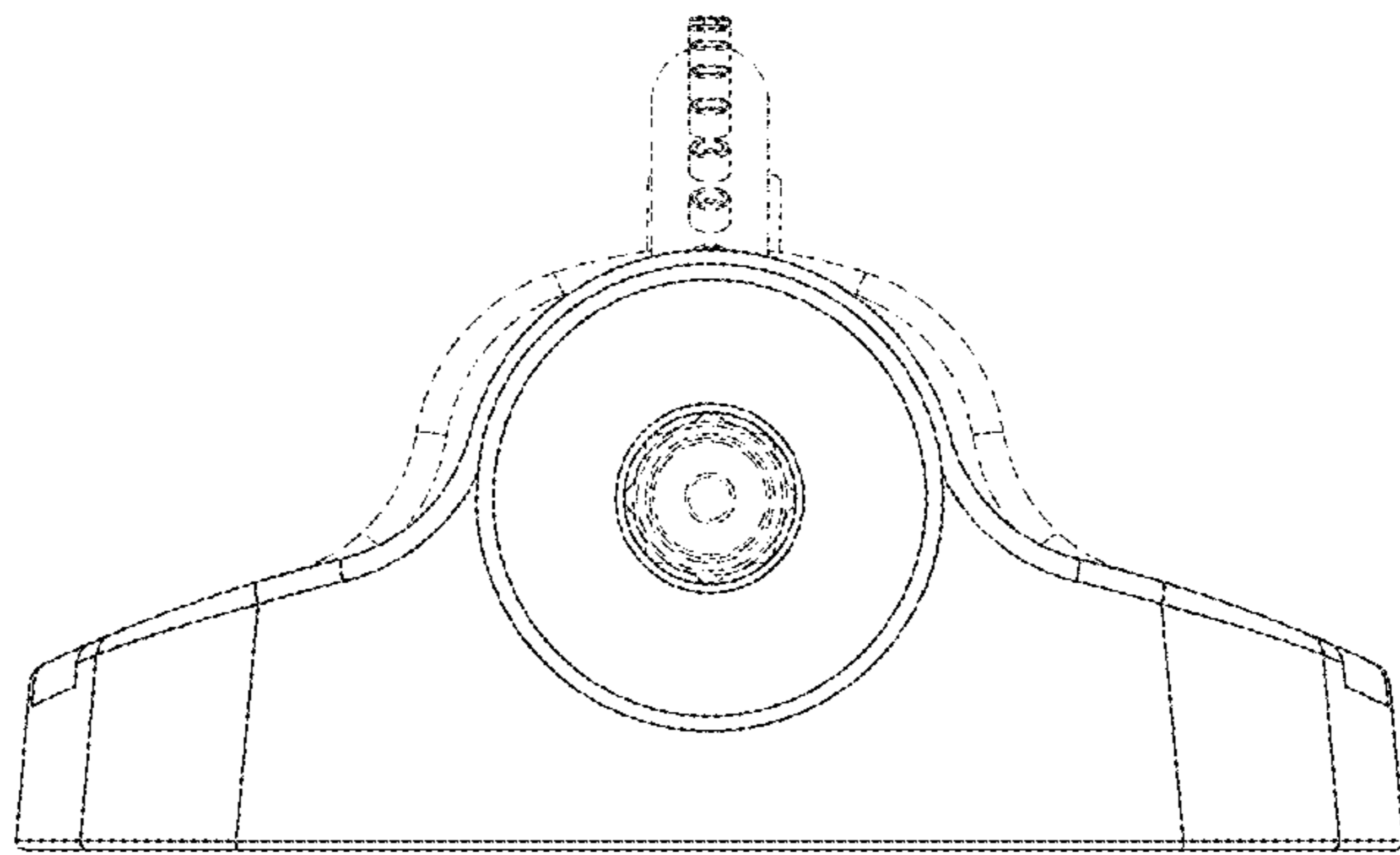


FIG. 5

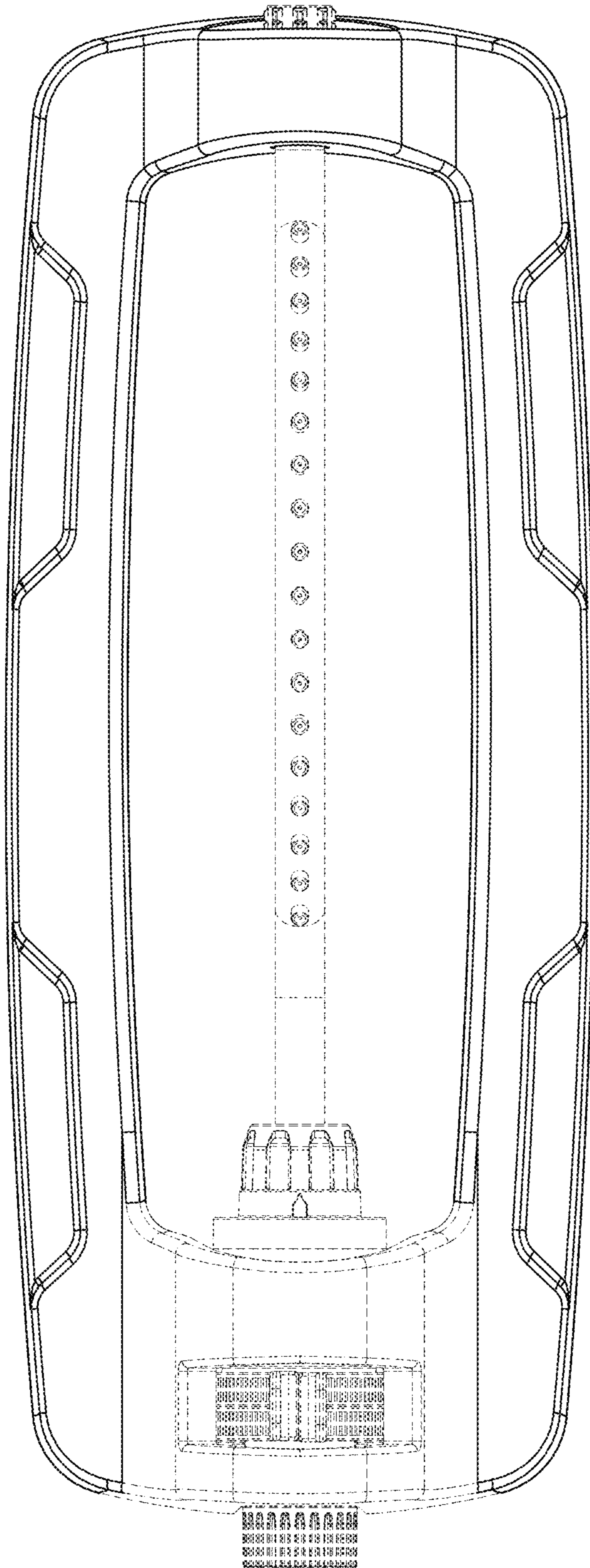


FIG.6

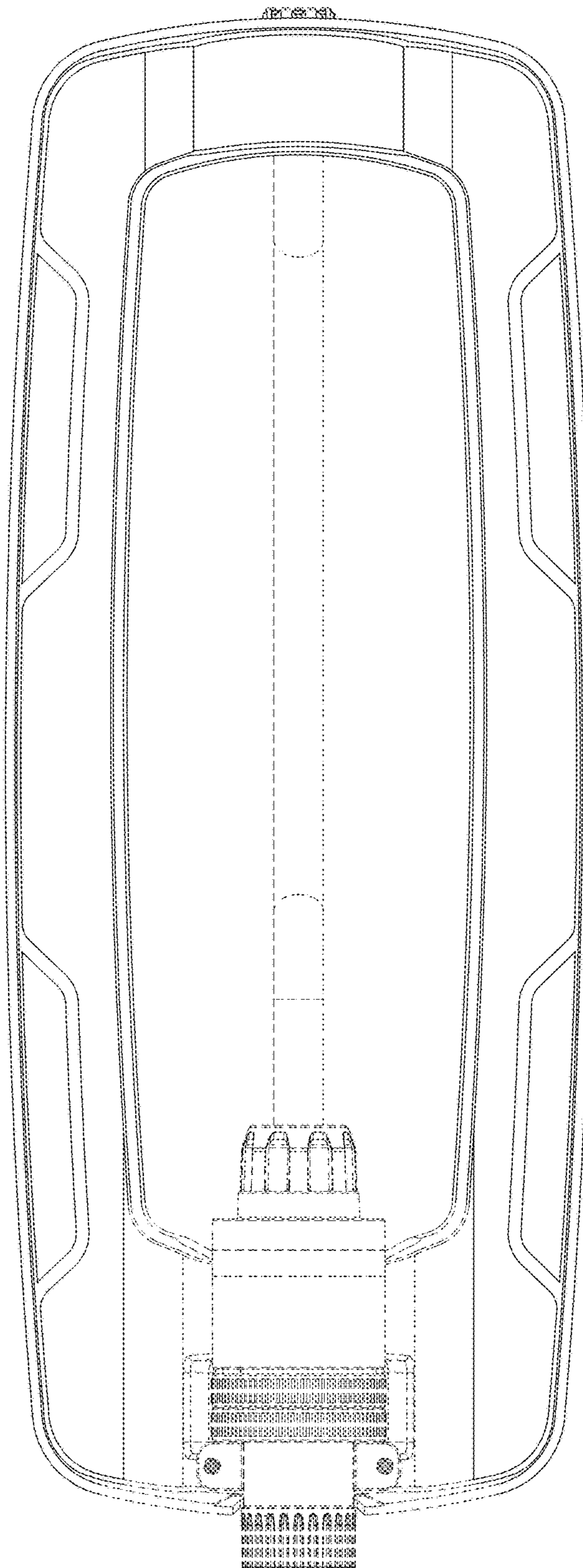


FIG. 7