



US00D802714S

(12) **United States Design Patent** (10) **Patent No.:** **US D802,714 S**  
**Williamson et al.** (45) **Date of Patent:** **\*\* Nov. 14, 2017**

(54) **DISPENSER**

(71) Applicants: **Alistair Williamson**, Manchester (GB);  
**Andrew Hodgkin**, Manchester (GB);  
**Neil Warburton**, Merseyside (GB)

(72) Inventors: **Alistair Williamson**, Manchester (GB);  
**Andrew Hodgkin**, Manchester (GB);  
**Neil Warburton**, Merseyside (GB)

(73) Assignee: **Mast Group Limited** (GB)

(\*\*) Term: **15 Years**

(21) Appl. No.: **29/567,506**

(22) Filed: **Jun. 9, 2016**

(30) **Foreign Application Priority Data**

Apr. 1, 2016 (EP) ..... 0030525390001

(51) **LOC (10) Cl.** ..... **23-01**

(52) **U.S. Cl.**  
USPC ..... **D23/213; D24/223**

(58) **Field of Classification Search**  
USPC ..... D23/201, 211, 213, 221, 223, 225, 226,  
D23/229; D24/216, 223, 231  
CPC ..... B05B 1/18; B05B 1/00-1/08; B05B 1/20;  
B05B 15/063  
See application file for complete search history.

(56) **References Cited**

**U.S. PATENT DOCUMENTS**

D121,293 S \* 7/1940 Brown ..... D23/213  
3,836,047 A \* 9/1974 Darpentigny ..... C12M 99/00  
221/93  
3,863,426 A \* 2/1975 Courvalin ..... C12M 99/00  
221/270  
4,042,145 A \* 8/1977 Ehrlich ..... C12M 99/00  
221/234  
D272,942 S \* 3/1984 Fabian ..... D23/213

D406,679 S \* 3/1999 DePalma ..... D32/29.1  
D504,284 S \* 4/2005 Corona ..... D7/600.4  
D526,382 S \* 8/2006 Thompson ..... D23/208  
D631,128 S \* 1/2011 Laporta ..... D23/201  
D674,463 S \* 1/2013 Wilder ..... D23/209  
D674,464 S \* 1/2013 Wilder ..... D23/209  
D689,664 S \* 9/2013 Dietvorst ..... D32/75  
D715,399 S \* 10/2014 Spraw ..... D23/213  
D715,400 S \* 10/2014 Spraw ..... D23/213

(Continued)

**OTHER PUBLICATIONS**

ThermoFisher Scientific. Oxoid Antimicrobial Susceptibility Disk Dispenser. Printed Mar. 8, 2017. <https://www.thermofisher.com/order/catalog/product/ST6090> 2 pages.

(Continued)

*Primary Examiner* — Robin V Webster

*Assistant Examiner* — Rachel Voorhies

(74) *Attorney, Agent, or Firm* — Vedder Price P.C.

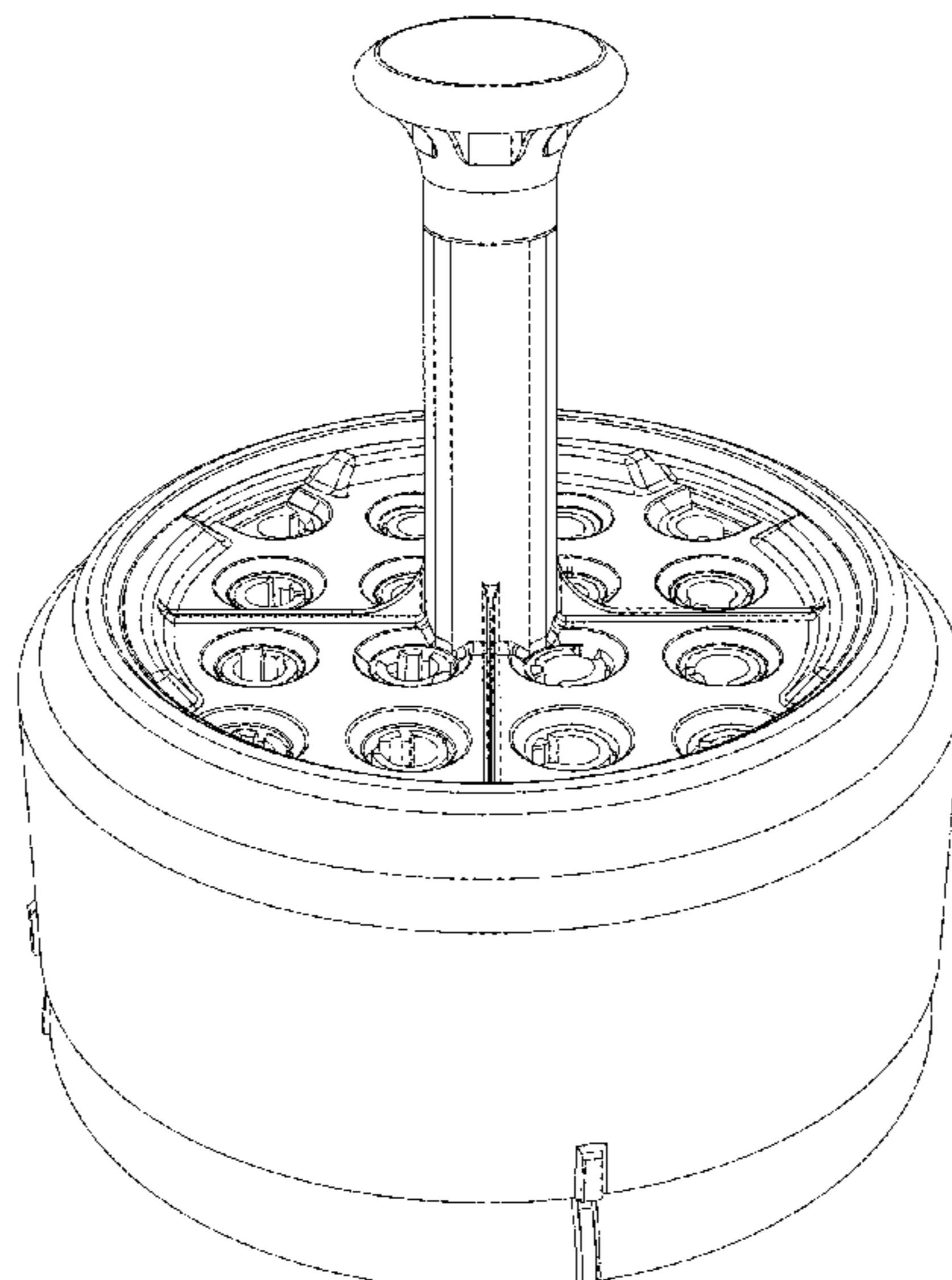
(57) **CLAIM**

The ornamental design of the dispenser, as shown and described.

**DESCRIPTION**

FIG. 1 is a top perspective view of the dispenser;  
FIG. 2 is an alternate perspective view of the dispenser of FIG. 1;  
FIG. 3 is a side view of the dispenser of FIG. 1;  
FIG. 4 is a bottom perspective view of the dispenser of FIG. 1;  
FIG. 5 is an alternate bottom perspective view of the dispenser of FIG. 1;  
FIG. 6 is a bottom view of the dispenser of FIG. 1; and,  
FIG. 7 is a top view of the dispenser of FIG. 1.  
The broken line portions of the drawings are for illustrative purposes only and form no part of the claimed design.

**1 Claim, 7 Drawing Sheets**



(56)

**References Cited**

U.S. PATENT DOCUMENTS

D715,401 S \* 10/2014 Spraw ..... D23/213  
D730,486 S \* 5/2015 Ikeda ..... D23/213  
D736,344 S \* 8/2015 Chalifoux ..... D23/208  
D748,223 S \* 1/2016 Williams ..... D23/213  
D758,531 S \* 6/2016 Williams ..... D23/213  
2005/0082313 A1\* 4/2005 Fox ..... B67D 1/0021  
222/129.1  
2006/0237479 A1\* 10/2006 Fox ..... B67D 1/0021  
222/129.1

OTHER PUBLICATIONS

Aurosan. Dispenser. Printed Mar. 8, 2017. <http://www.aurosan-shop.de/de/schnelltests/dispenser> 2 pages.

BD (Becton, Dickinson and Company). BBL Sensi-Disc Designer Dispenser. Printed Mar. 8, 2017. <http://www.bd.com/ds/productCenter/260640.asp> 1 page.

BD BBL Sensi-Disc Designer Dispenser. Product Description. Printed Mar. 8, 2017. <http://www.bd.com/ds/productCenter/260640.asp> 20 pages.

\* cited by examiner

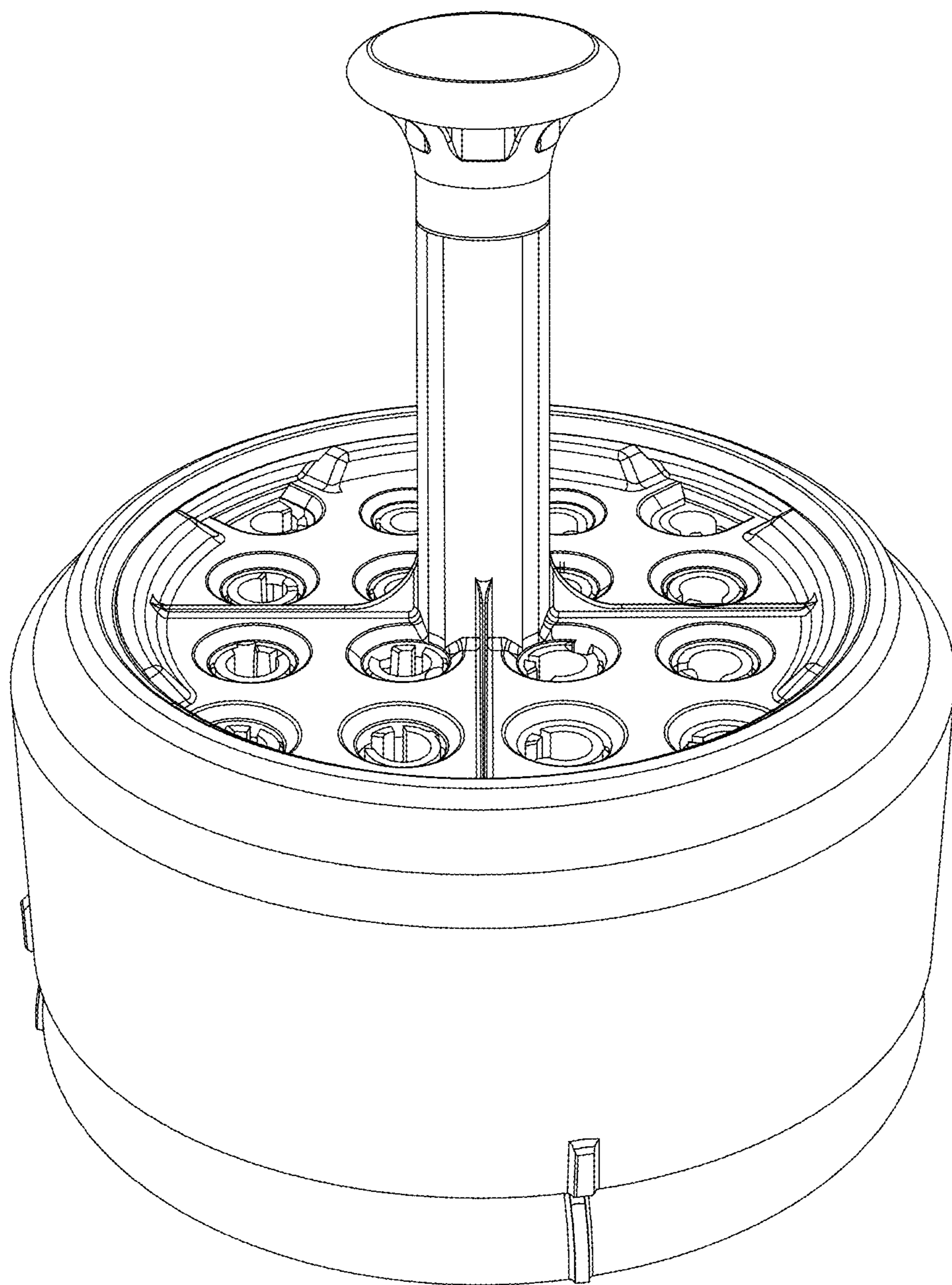


FIG. 1

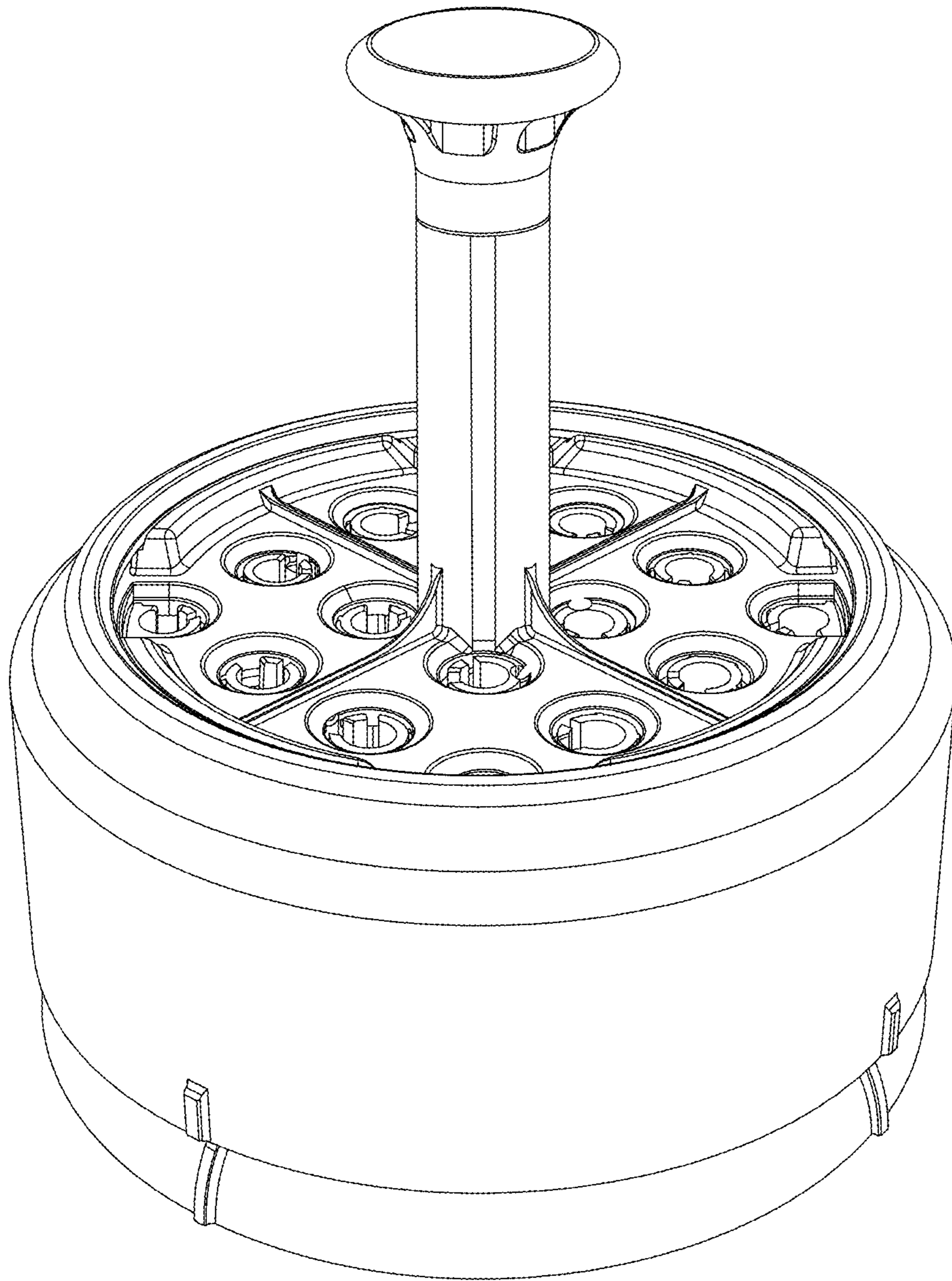


FIG. 2

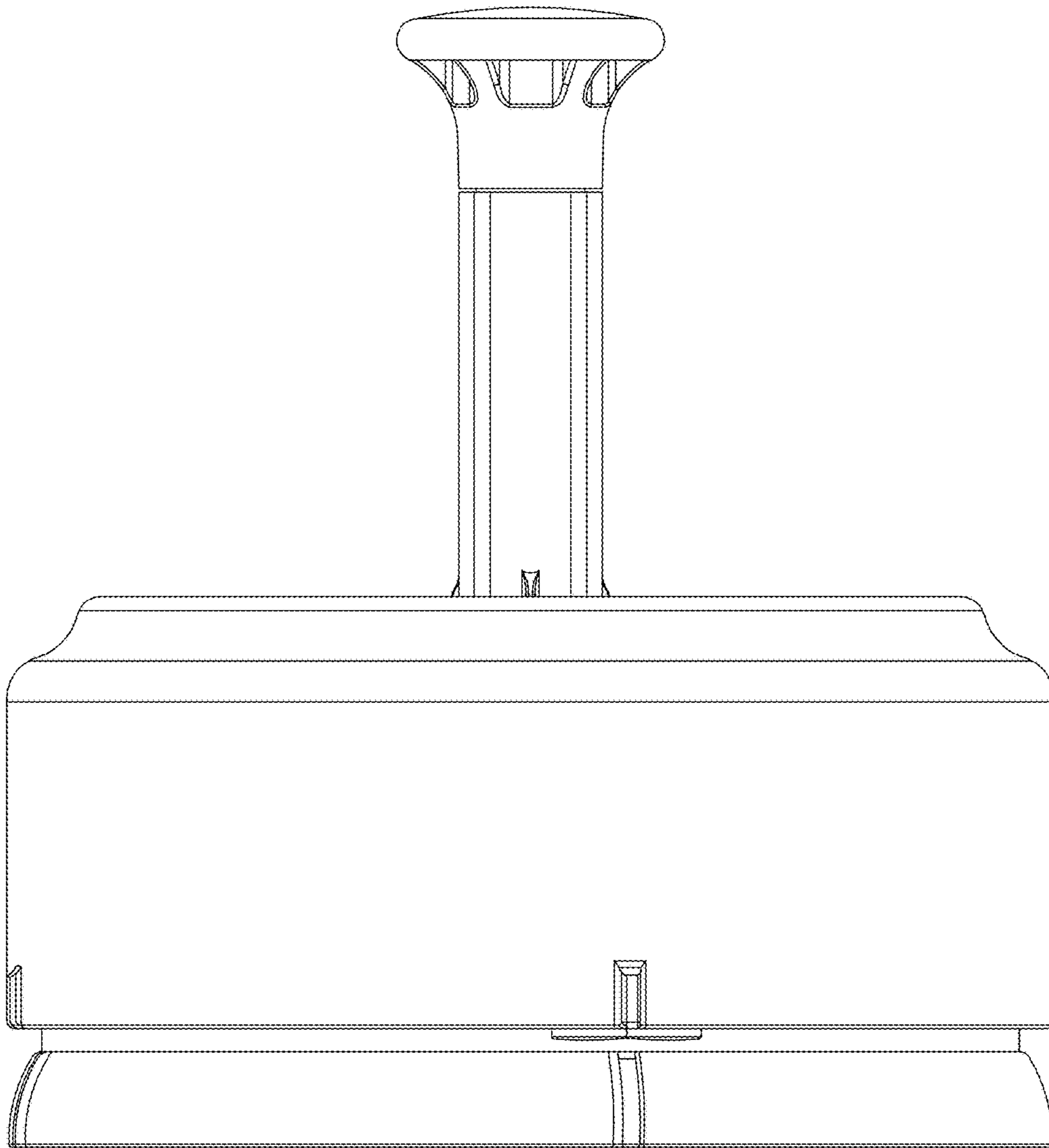


FIG. 3

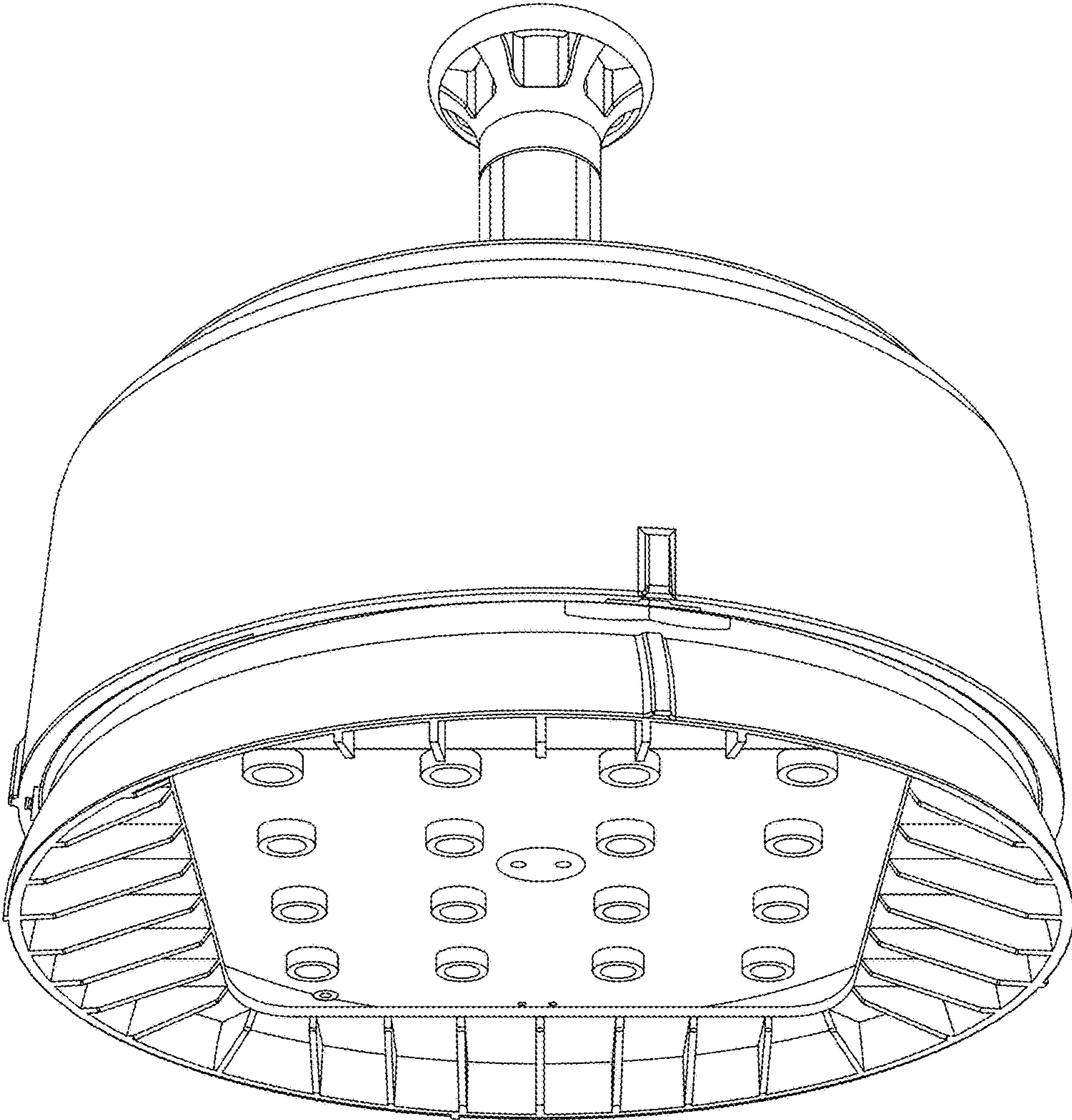


FIG. 4

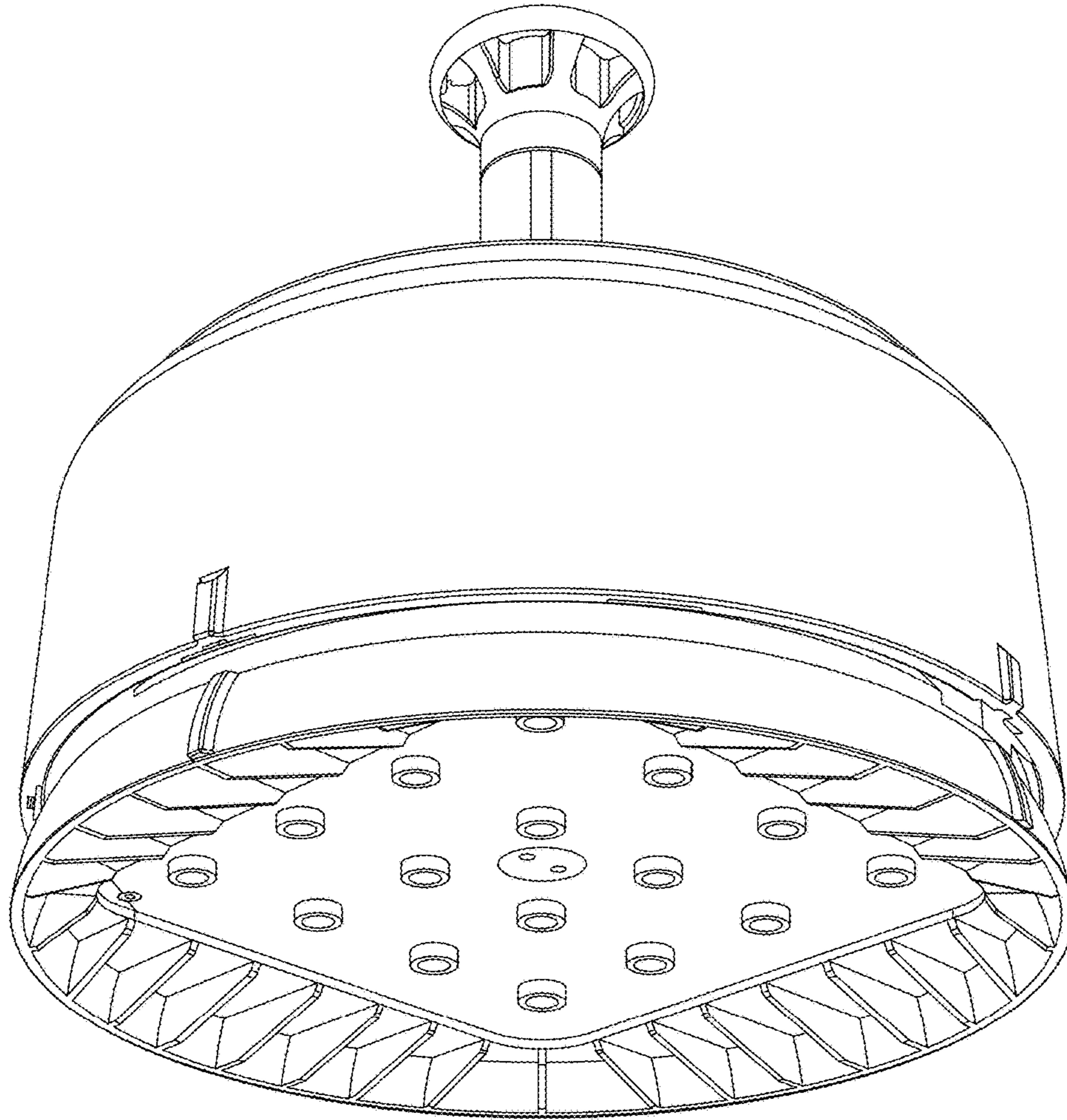


FIG. 5

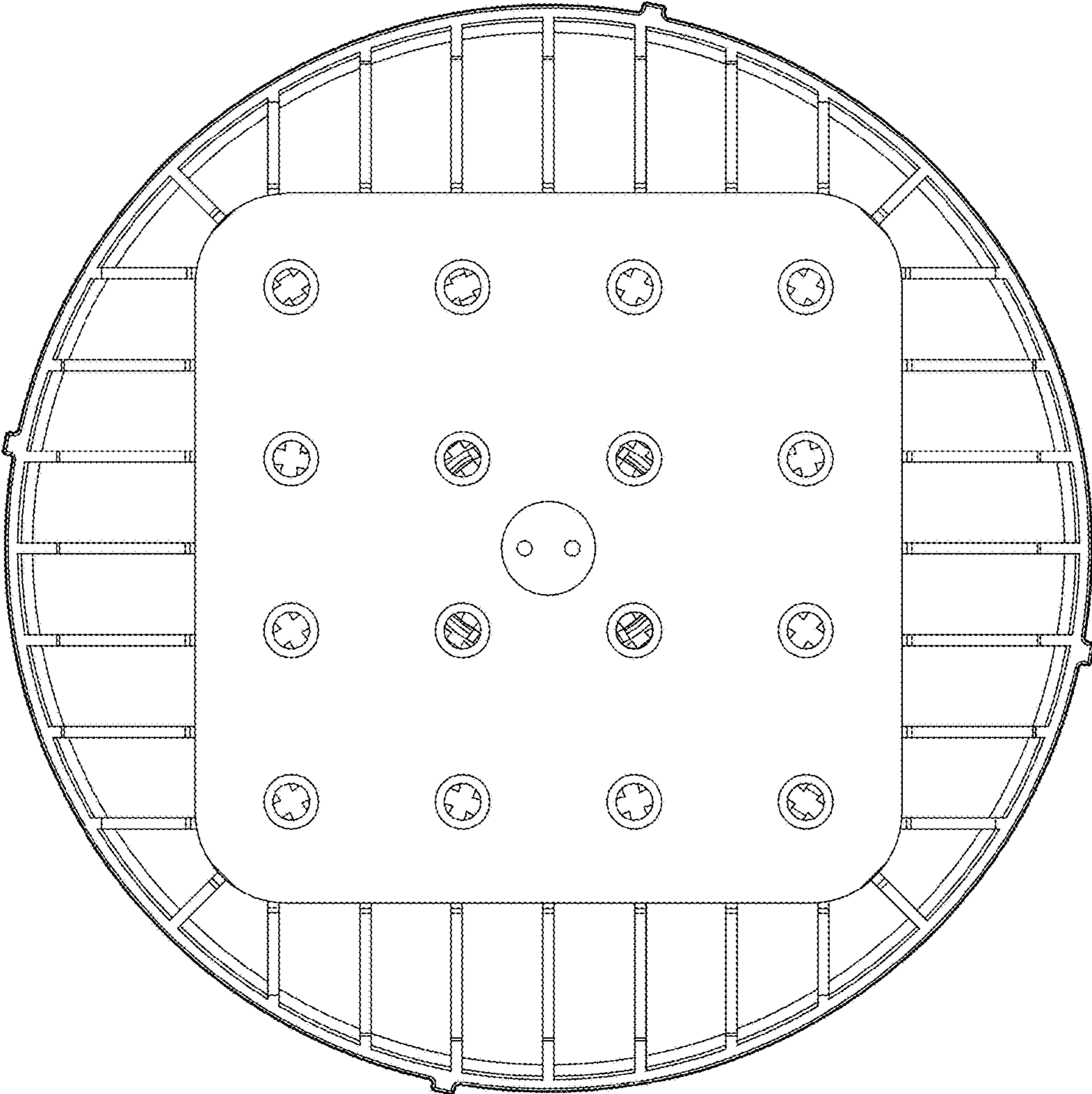


FIG. 6



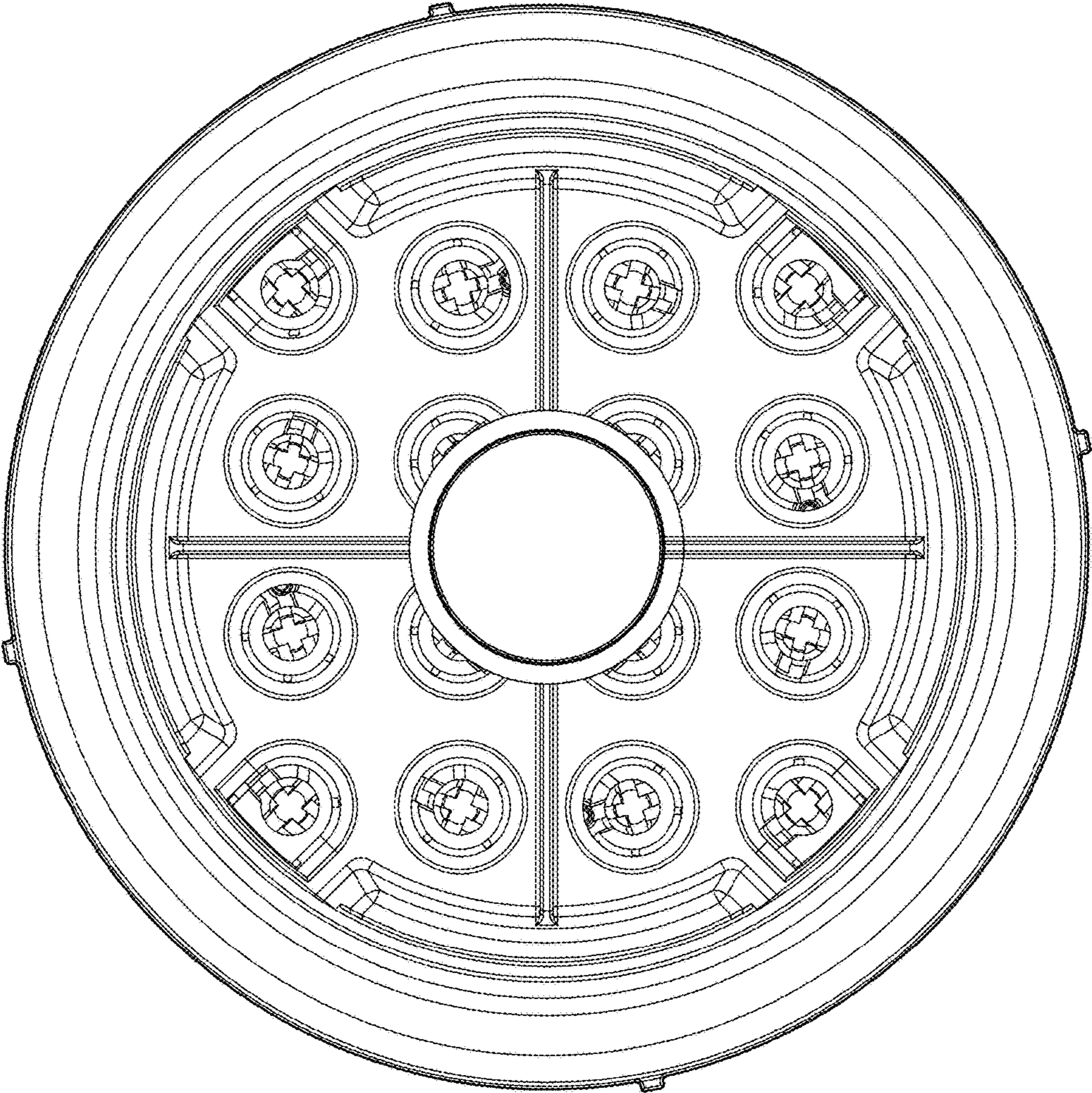


FIG. 7