



US00D802713S

(12) **United States Design Patent**
Downie

(10) **Patent No.:** **US D802,713 S**

(45) **Date of Patent:** **** Nov. 14, 2017**

(54) **WATER FILTER**

(71) Applicant: **ADEY HOLDINGS (2008) LIMITED**,
Cheltenham, Gloucestershire (GB)

(72) Inventor: **Simon Downie**, Cheltenham (GB)

(73) Assignee: **ADEY HOLDINGS (2008) LIMITED**,
Cheltenham (GB)

(**) Term: **15 Years**

(21) Appl. No.: **35/501,392**

(22) Filed: **Mar. 14, 2016**

(80) **Hague Agreement Data**

Int. Filing Date: **Mar. 14, 2016**

Int. Reg. No.: **DM/091931**

Int. Reg. Date: **Mar. 14, 2016**

Int. Reg. Pub. Date: **Aug. 12, 2016**

(30) **Foreign Application Priority Data**

Jan. 7, 2016 (EM) 002937276-0003

(51) **LOC (10) Cl.** **23-01**

(52) **U.S. Cl.**
USPC **D23/209**

(58) **Field of Classification Search**

USPC D23/207, 209, 210, 233, 239, 365, 235,
D23/241, 242, 245; D7/400; D24/162;
210/203, 348, 650, 777, 799

CPC C02F 1/00; C02F 1/44; C02F 1/001; C02F
1/441; C02F 1/444; B10D 35/30; B10D
46/10; B10D 46/0012; B10D 65/08;
B10D 66/304; B10D 66/5412; B10D
66/73921; B10D 69/02; B10D 2311/04

See application file for complete search history.

(56) **References Cited**

U.S. PATENT DOCUMENTS

D106,584 S *	10/1937	Russel	D23/235
D384,128 S *	9/1997	Scott	D23/209
D454,615 S *	3/2002	Neal	D23/209
D562,429 S *	2/2008	Morris	B01D 27/06 D15/150
D674,464 S *	1/2013	Wilder	D23/209
8,524,079 B1 *	9/2013	Tseng	B01D 35/303 210/232
D708,749 S *	7/2014	Appling	D24/162
D793,523 S *	8/2017	Adey	D23/209
2015/0129491 A1 *	5/2015	Adey	B01D 21/0009 210/512.1

* cited by examiner

Primary Examiner — Keli L Hill

(74) *Attorney, Agent, or Firm* — Michael E. Dockins;
Shumaker, Loop & Kendrick, LLP

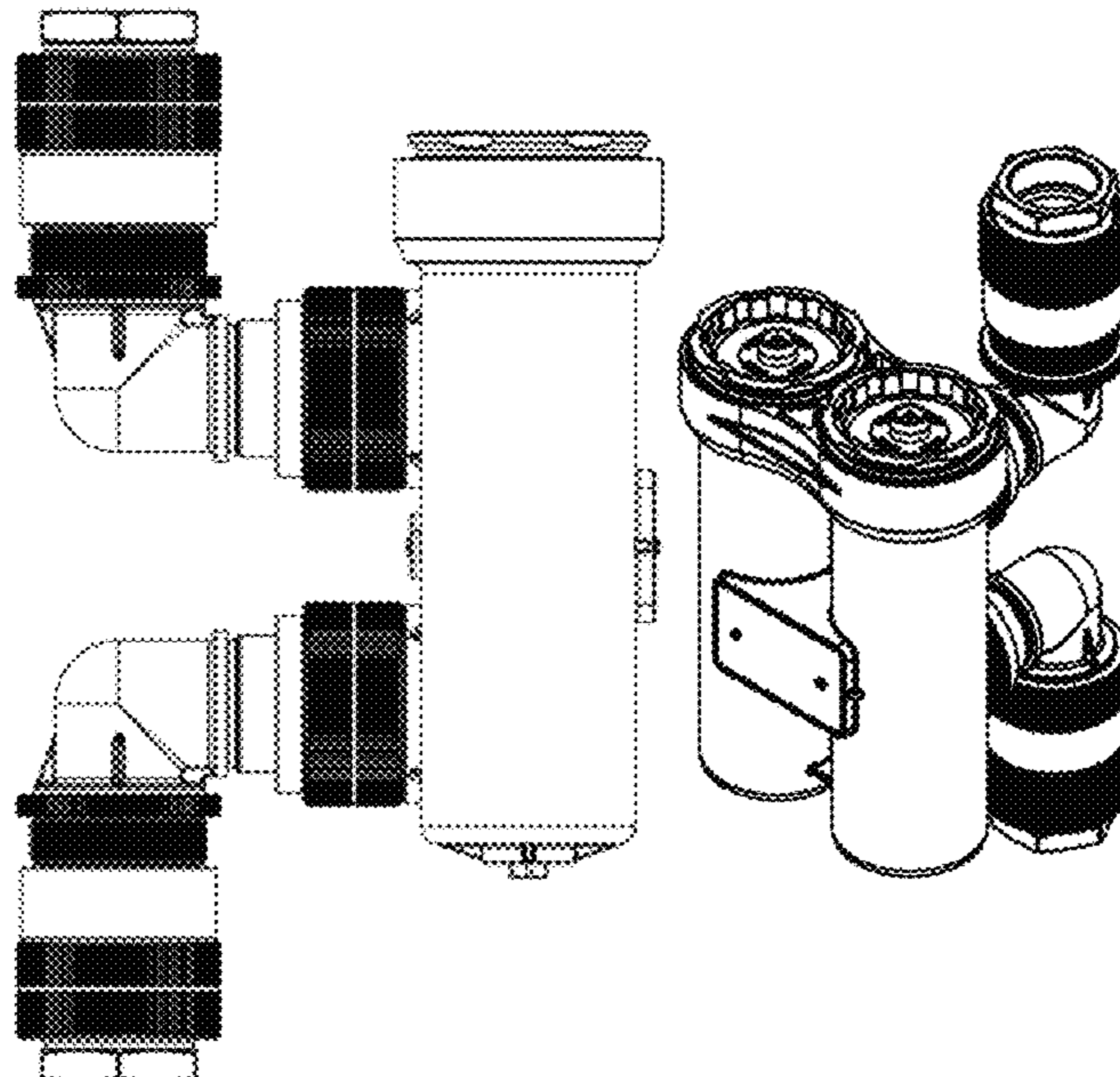
(57) **CLAIM**

The ornamental design for a water filter, as shown and described.

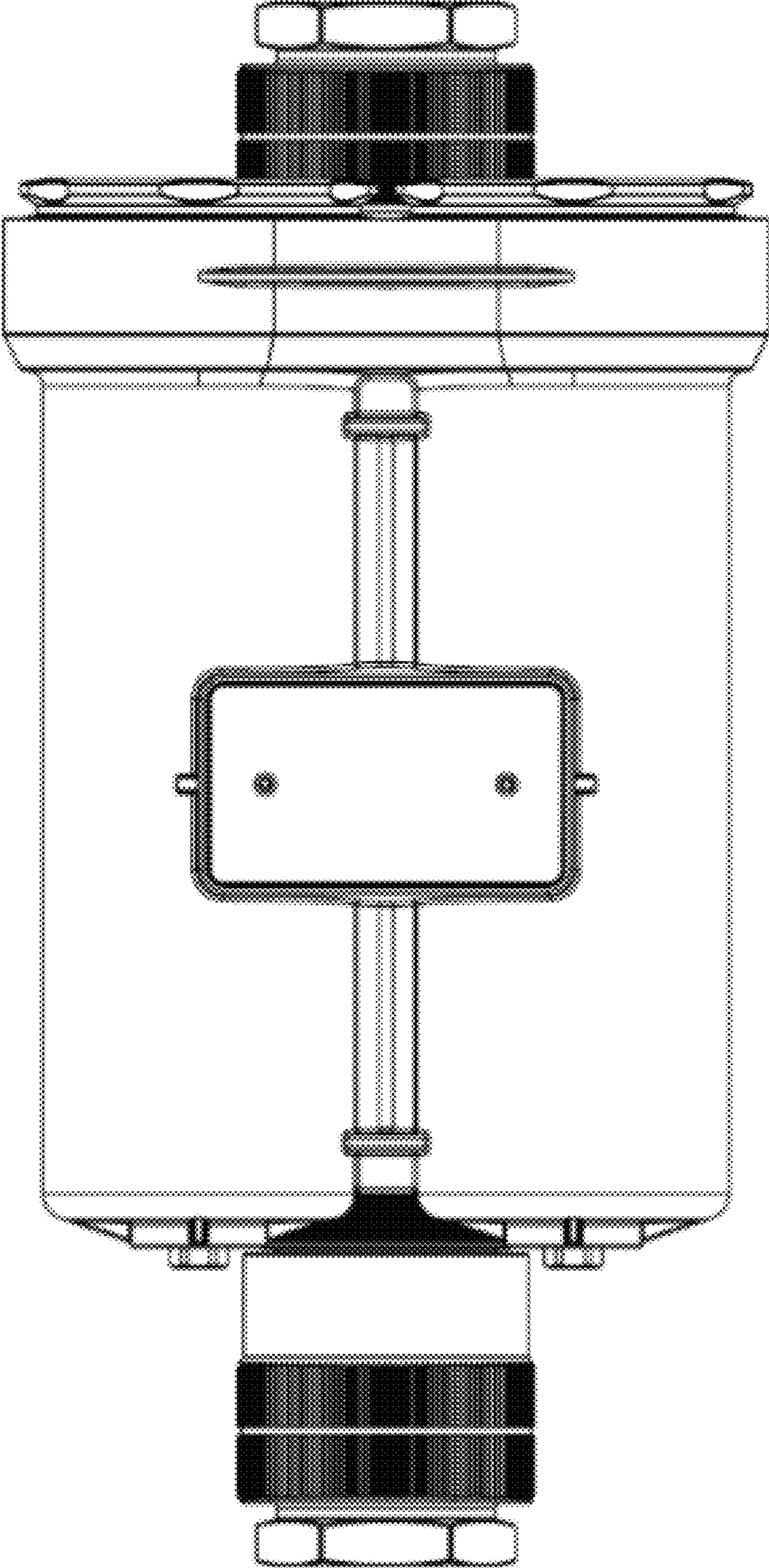
DESCRIPTION

1. Water filter
- 1.1 is a front elevation view.
- 1.2 is a left side elevation view.
- 1.3 is a right side elevation view.
- 1.4 is a bottom plan view.
- 1.5 is a top plan view.
- 1.6 is a rear elevation view.
- 1.7 is a top and left side perspective view.

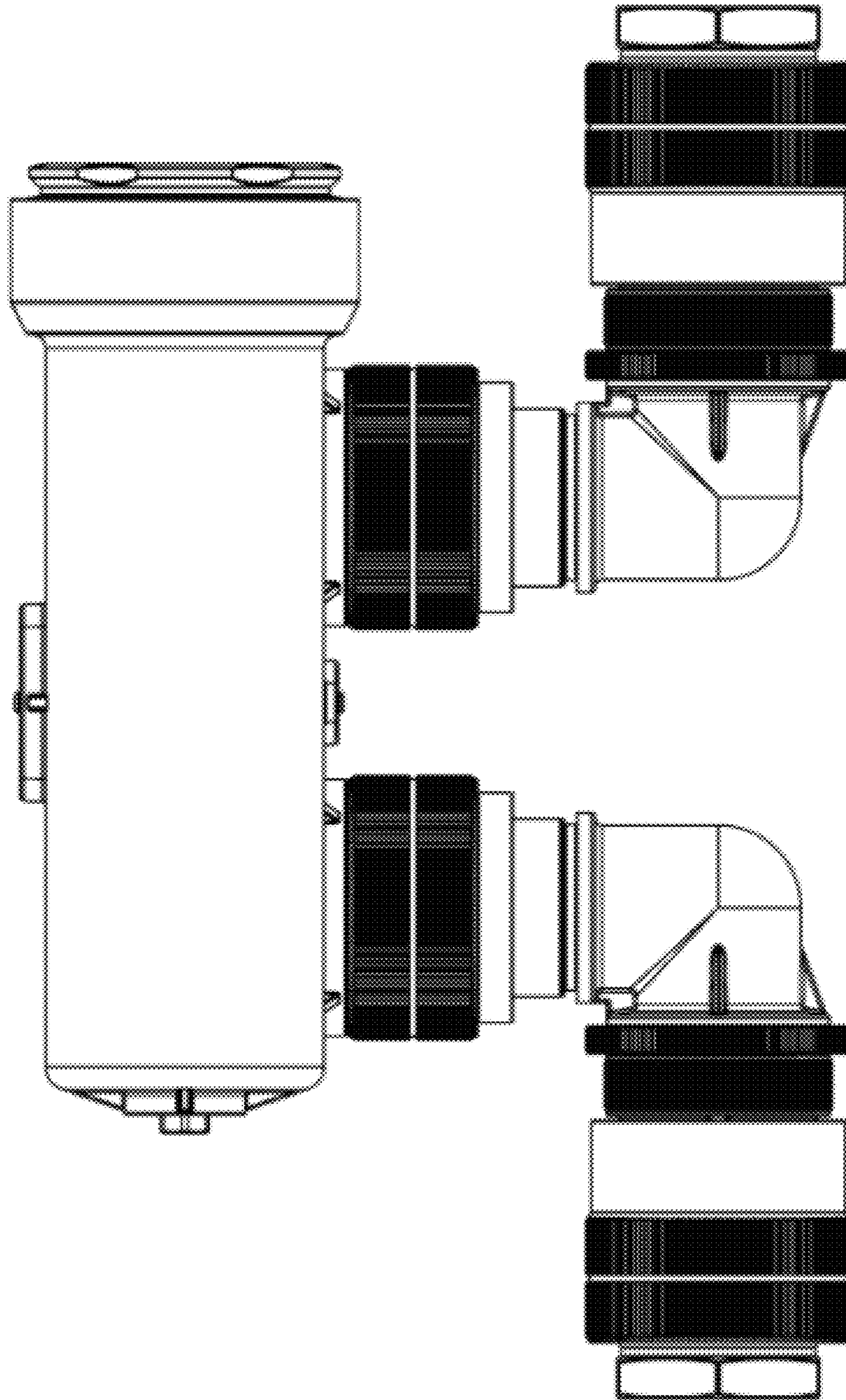
1 Claim, 7 Drawing Sheets



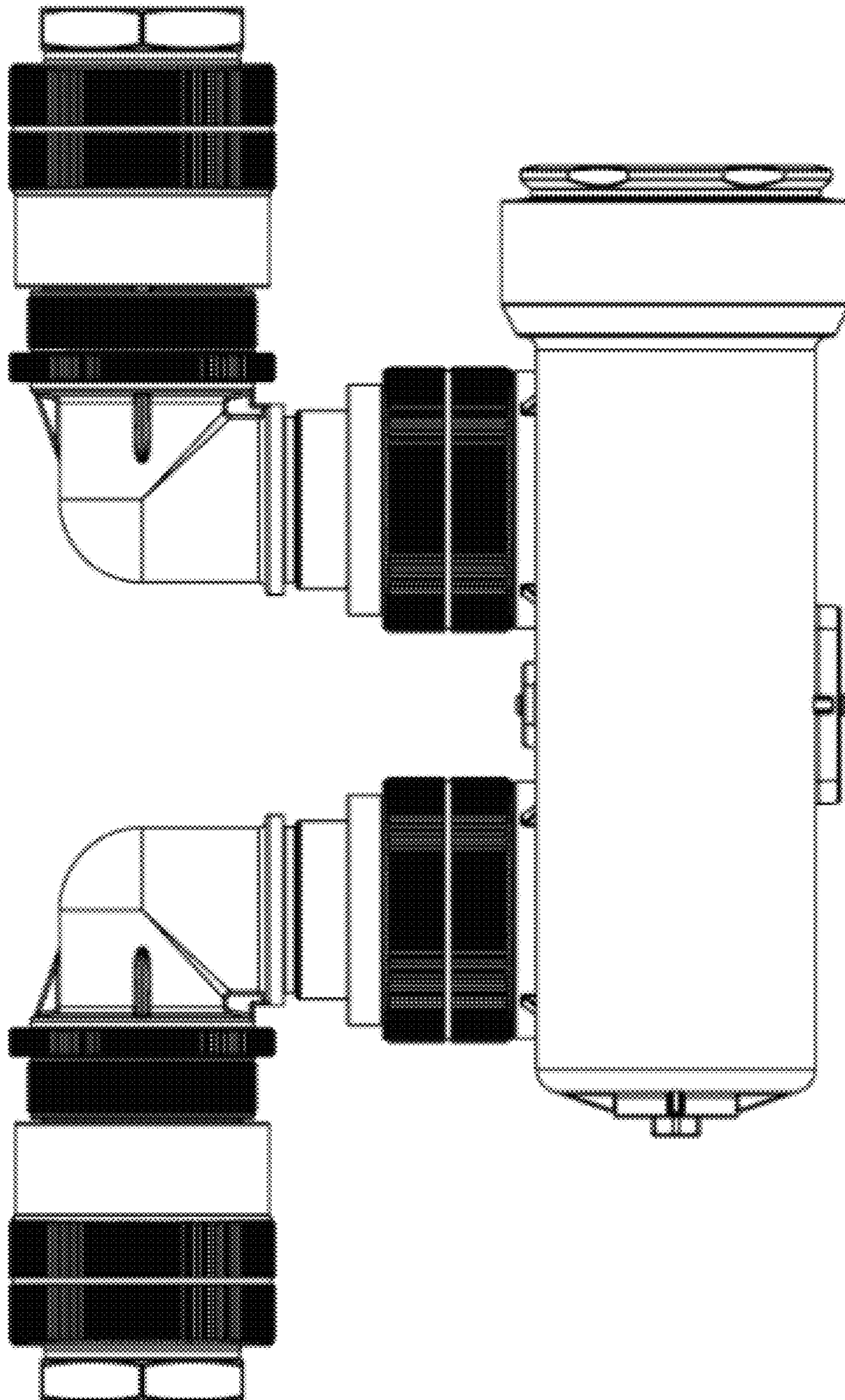
1.1



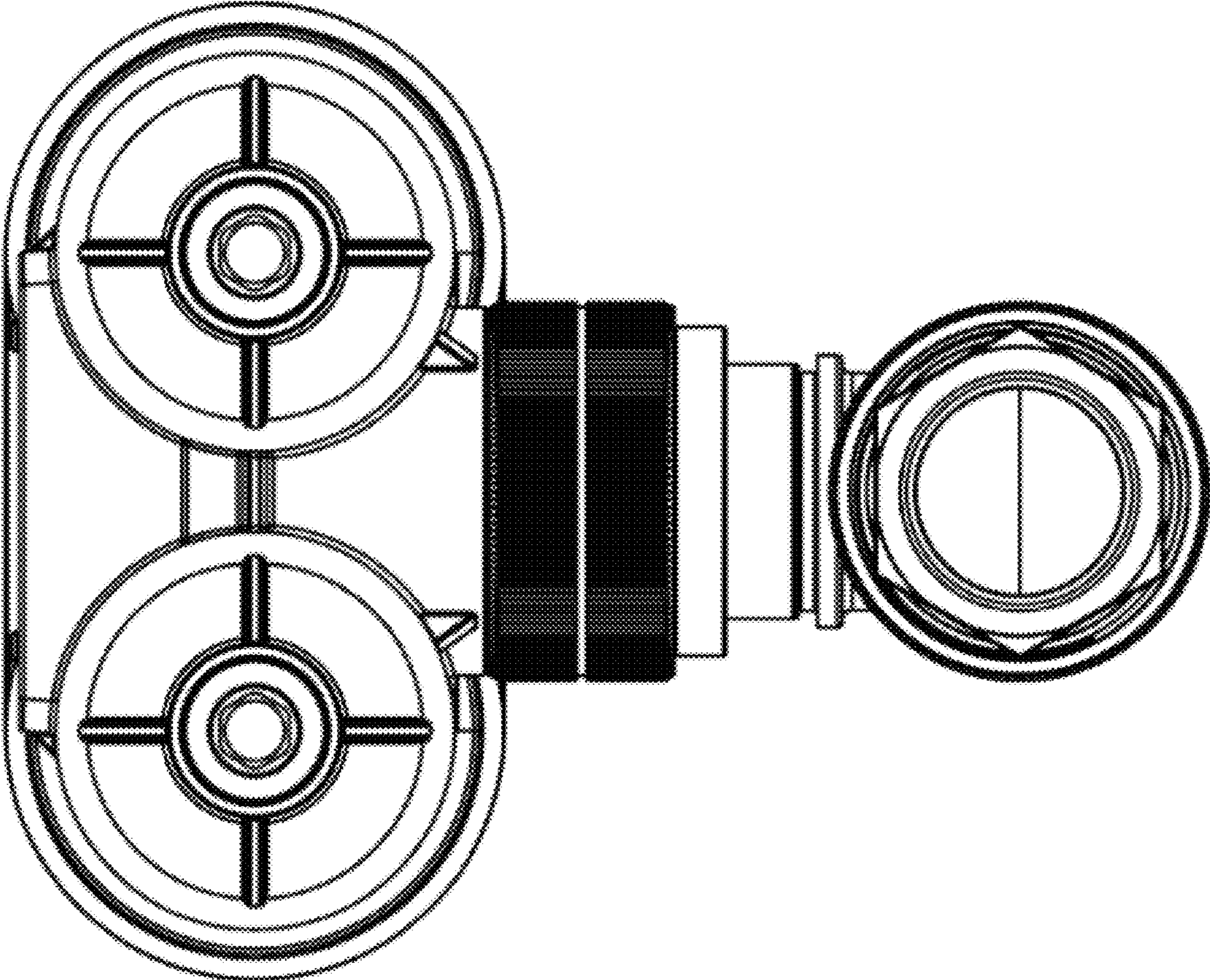
1.2



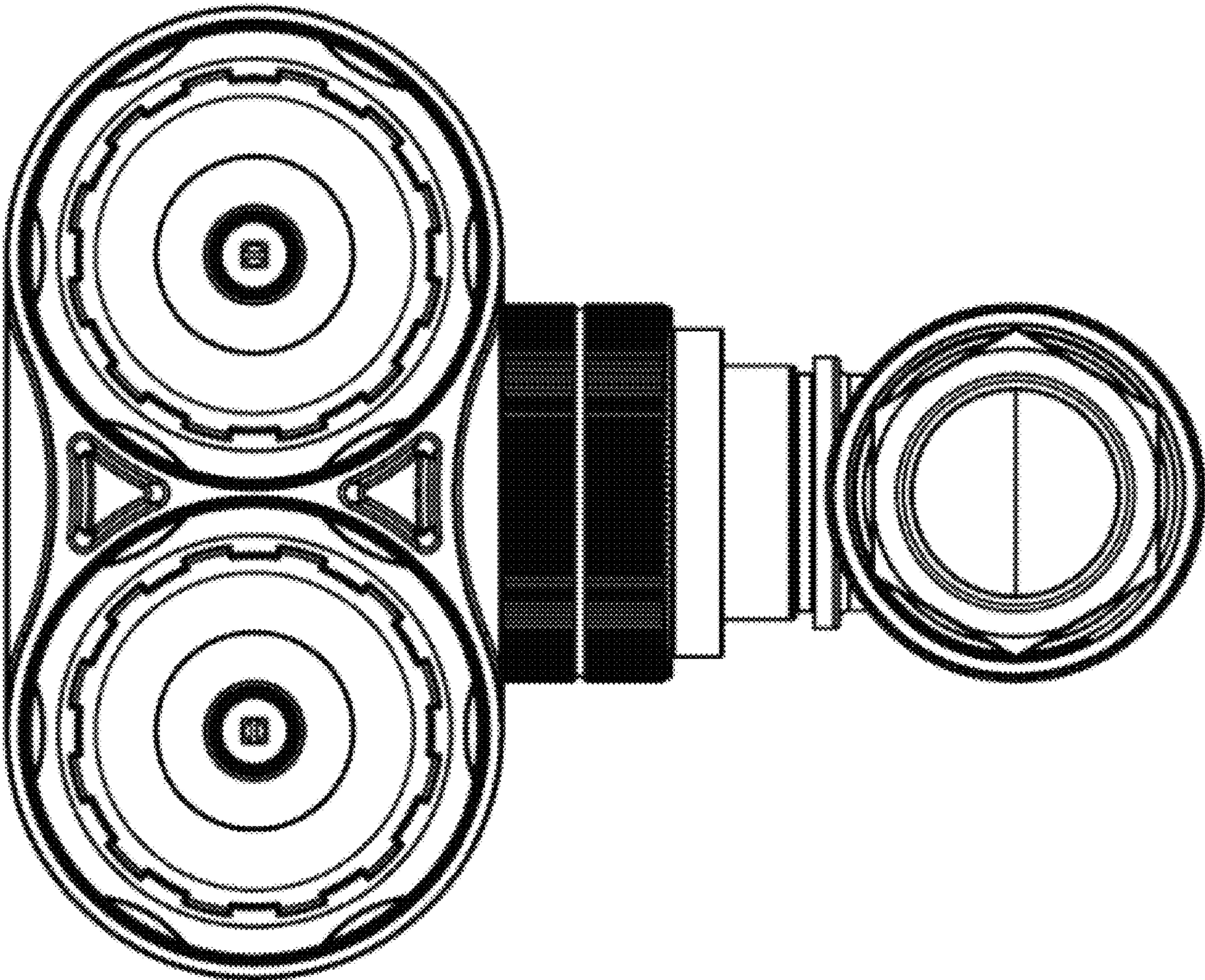
1.3



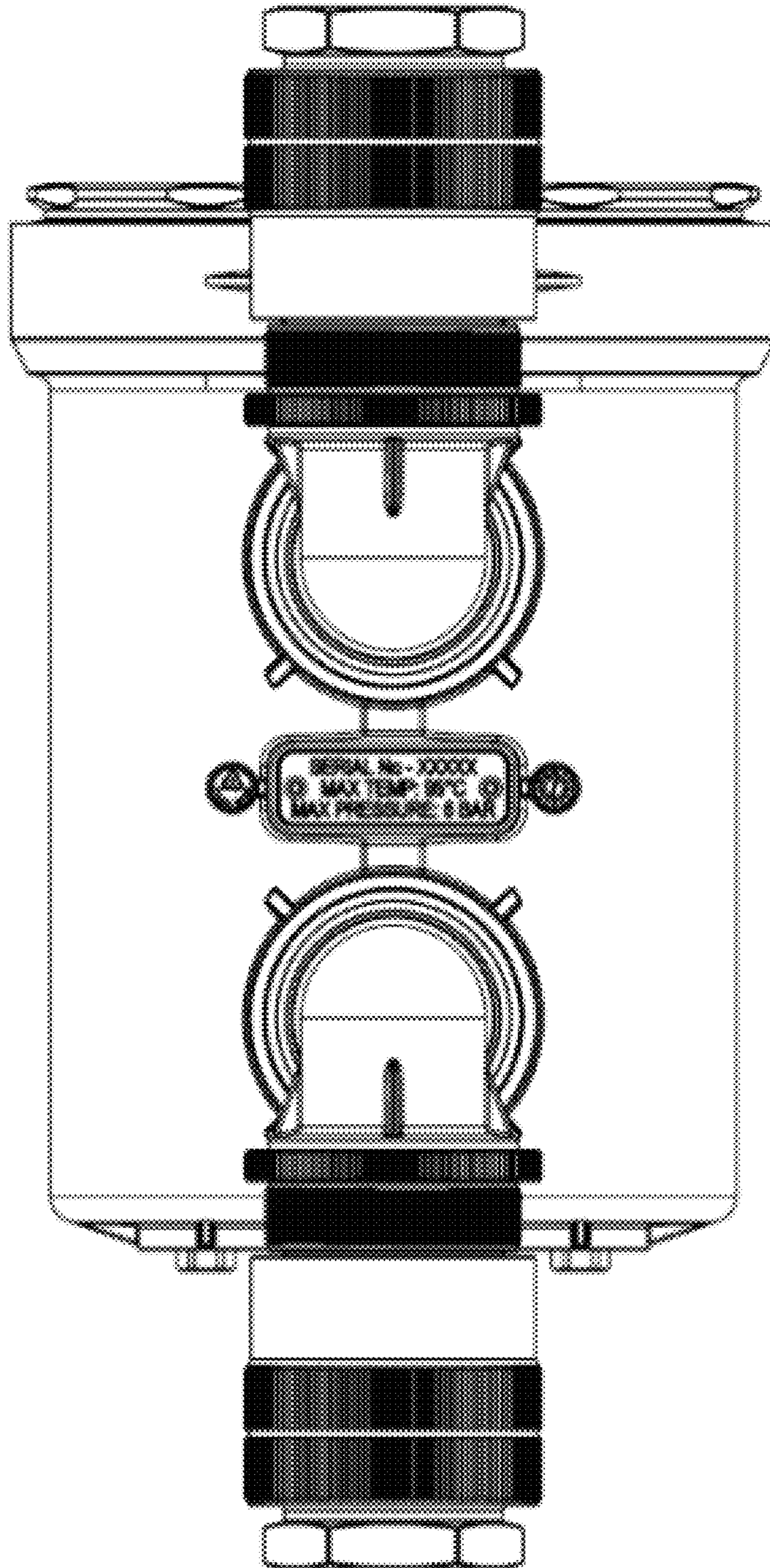
1.4



1.5



1.6



1.7

