



US00D802711S

(12) **United States Design Patent** (10) **Patent No.:** **US D802,711 S**  
**Buckelew et al.** (45) **Date of Patent:** **\*\* Nov. 14, 2017**

(54) **AGRICULTURAL TANK**

(56) **References Cited**

(71) Applicant: **FMC Corporation**, Philadelphia, PA (US)  
(72) Inventors: **Lamar Buckelew**, Davenport, IA (US); **David Wheeler**, Philadelphia, PA (US); **Neil Destefano**, Philadelphia, PA (US); **Timothy M. Martin**, Ringoes, NJ (US); **Adam Prestegord**, Philadelphia, PA (US); **Shawn Grant**, Owensboro, KY (US); **Gary Grant**, Owensboro, KY (US)  
(73) Assignee: **FMC CORPORATION**, Philadelphia, PA (US)

U.S. PATENT DOCUMENTS

D229,612 S	12/1973	German
D230,151 S	1/1974	Morris
D238,940 S	2/1976	Graeper
D238,941 S	2/1976	Graeper
D251,674 S	4/1979	Sayward
D252,328 S	7/1979	Moore, Sr.
D258,501 S	3/1981	Winslow
4,301,841 A	11/1981	Sandow
D278,887 S	5/1985	Steiner
D282,347 S	1/1986	Steiner
D282,921 S	3/1986	Eureka et al.
D293,704 S	1/1988	Hart et al.
D293,705 S	1/1988	Sayward
D327,730 S	7/1992	Chisholm
D486,161 S	2/2004	Greene
D604,686 S	11/2009	Yan et al.

(Continued)

(\*\*) Term: **15 Years**

(21) Appl. No.: **29/575,474**

(22) Filed: **Aug. 25, 2016**

**Related U.S. Application Data**

(63) Continuation of application No. 29/473,293, filed on Nov. 20, 2013, now abandoned.

(51) **LOC (10) Cl.** ..... **23-01**

(52) **U.S. Cl.**  
USPC ..... **D23/202; D12/218**

(58) **Field of Classification Search**  
USPC ..... D15/10-33; 460/119, 23; 220/562; 280/830, 760, 839, 834; 137/267, 571; 296/15, 100.18, 203.01; 180/314; D12/95, 218; 239/146; D23/202  
CPC ..... A01D 41/1226; A01D 41/1208; A01D 41/1217; A01M 7/0085; A01M 7/0082; A01C 23/008; B60P 3/2215

See application file for complete search history.

OTHER PUBLICATIONS

All the references in the parent case have been included in the IDS filed Aug. 25, 2016. No additional references.\*

*Primary Examiner* — Cynthia Ramirez

*Assistant Examiner* — Gino Colan

(74) *Attorney, Agent, or Firm* — Fox Rothschild LLP

(57) **CLAIM**

The ornamental design for an agricultural tank, as shown and described.

**DESCRIPTION**

FIG. 1 is a left side perspective view of an agricultural tank showing our new design;

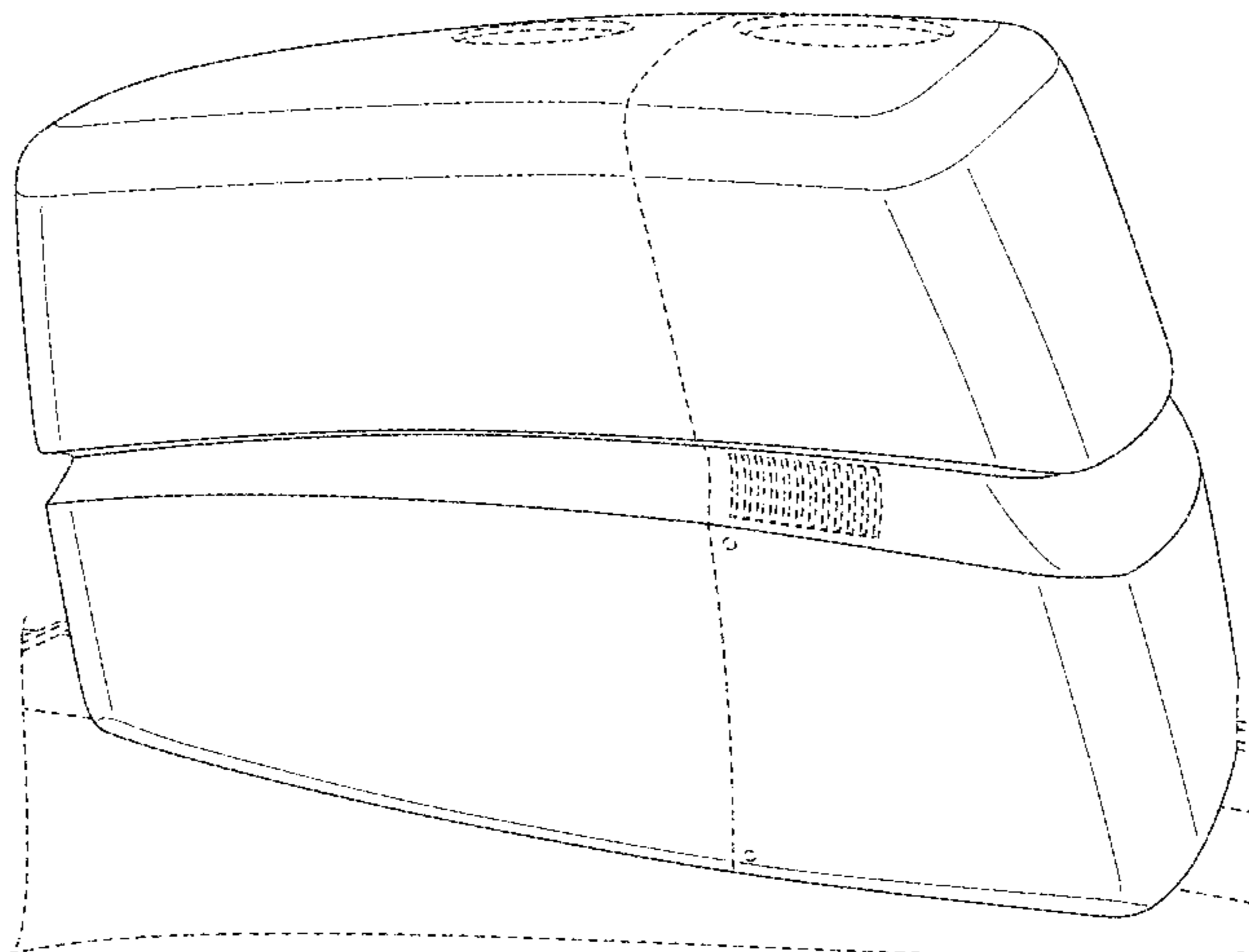
FIG. 2 is a front perspective view thereof;

FIG. 3 is a left side view thereof; and,

FIG. 4 is a top view thereof.

The broken lines illustrate environmental structure which forms no part of the claimed design. Applicant hereby disclaims the bottom surface of the agricultural tank as forming no part of the claimed design.

**1 Claim, 4 Drawing Sheets**



(56)

**References Cited**

U.S. PATENT DOCUMENTS

D628,672 S	12/2010	Kendall et al.
D647,167 S	10/2011	Arrigoni et al.
D701,814 S	4/2014	Merchant et al.
D727,237 S	4/2015	Sheppard
2014/0026990 A1	1/2014	Delihis et al.

\* cited by examiner

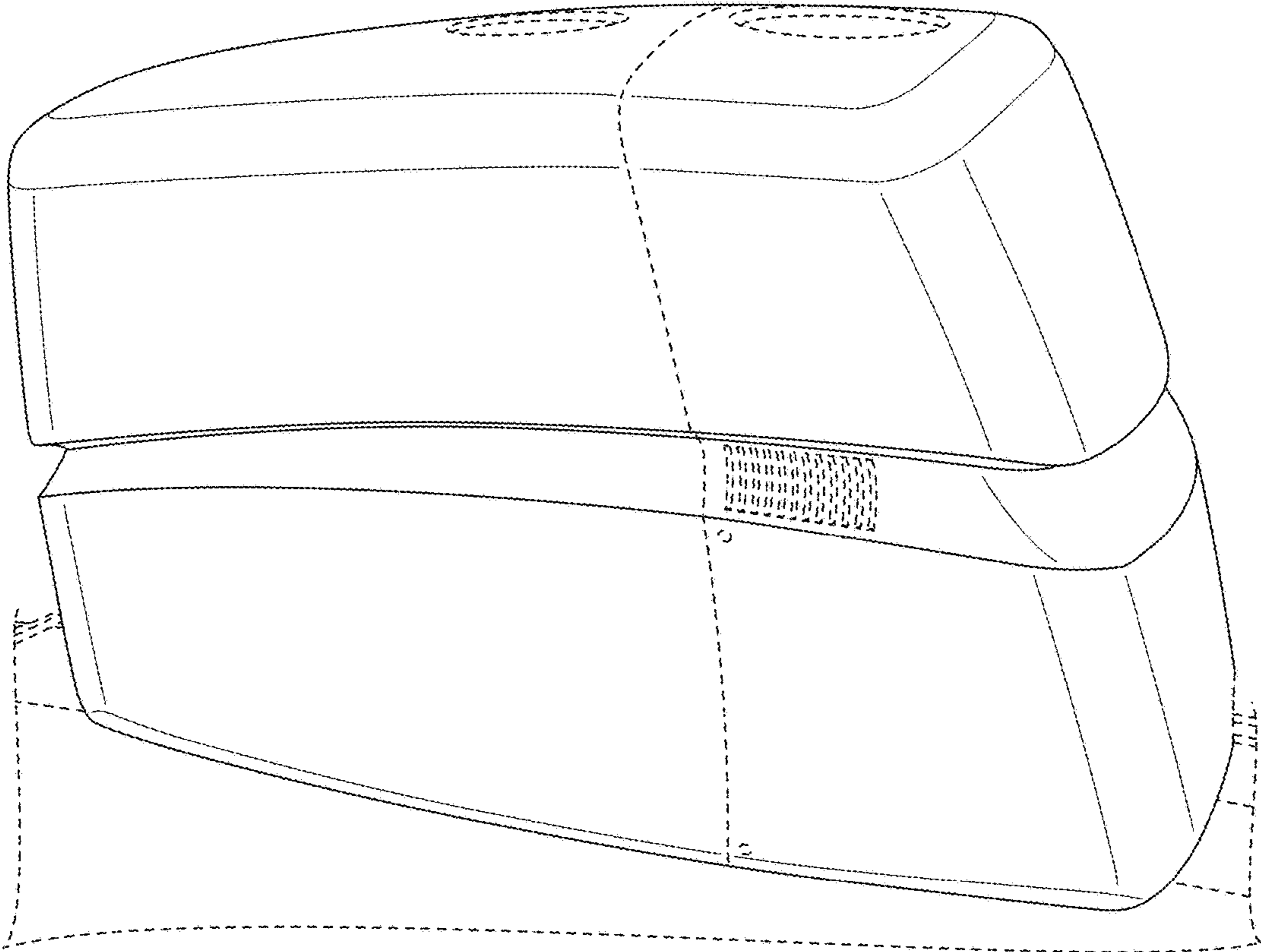


FIG. 1

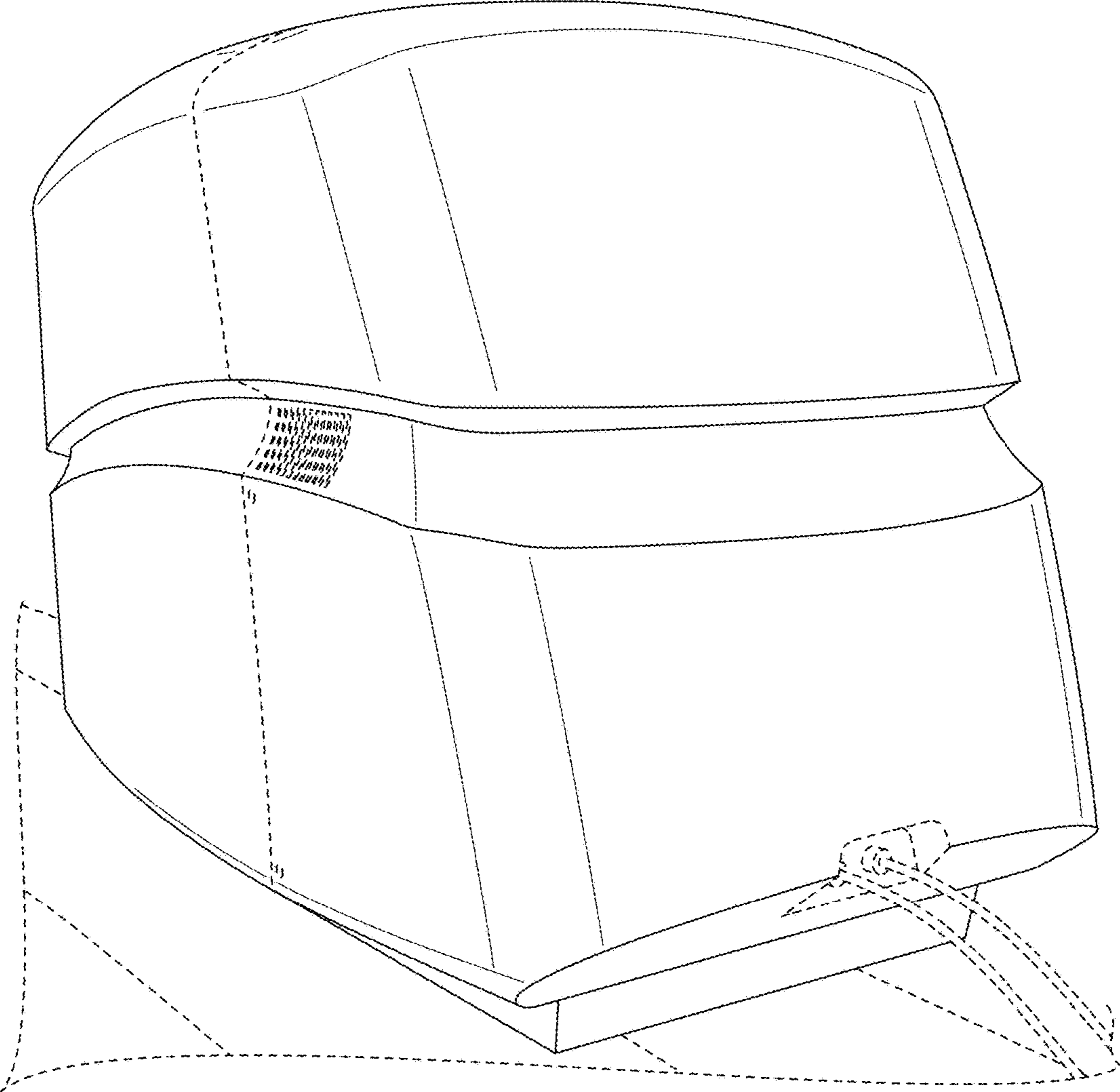


FIG. 2

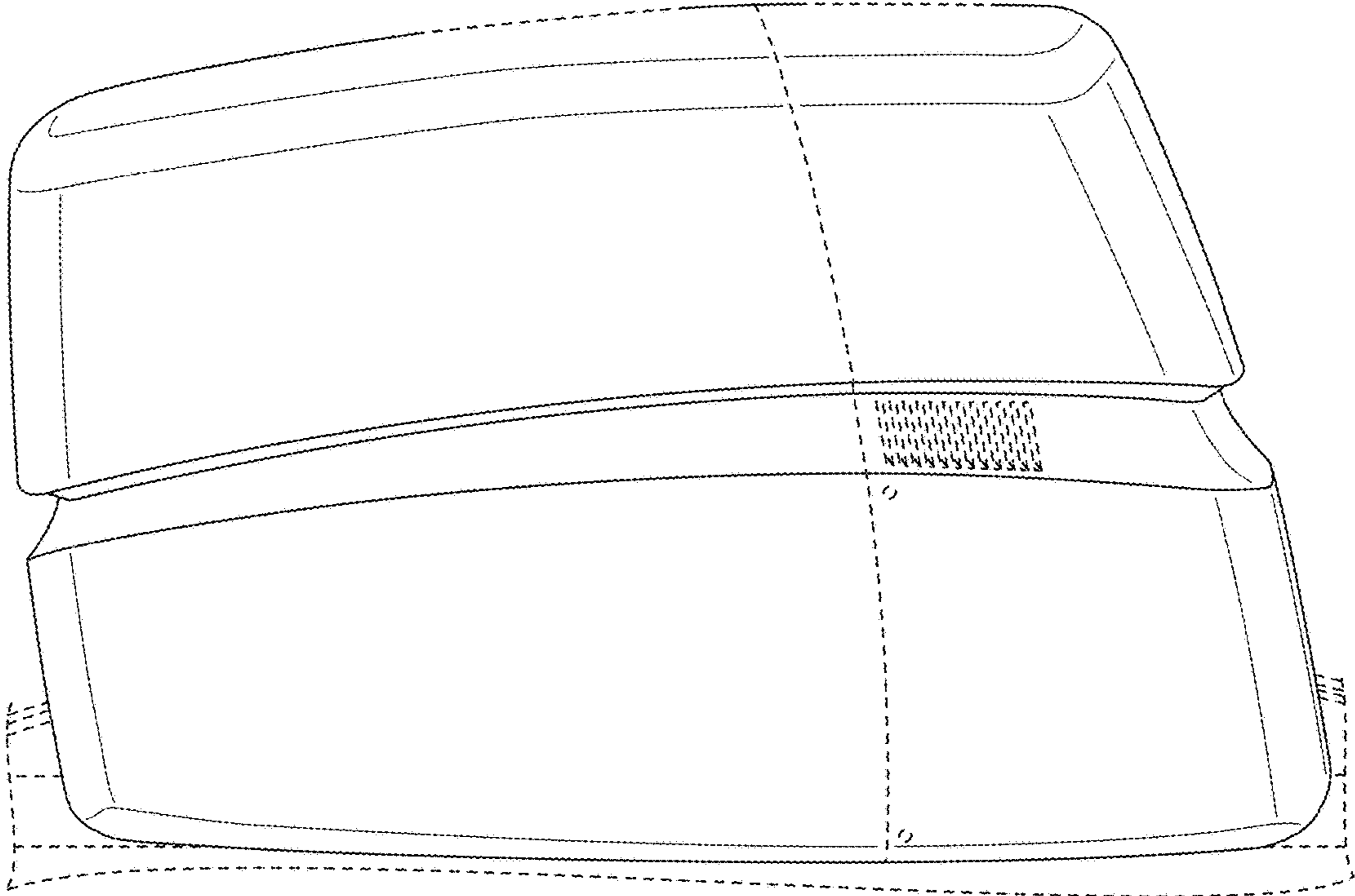


FIG. 3

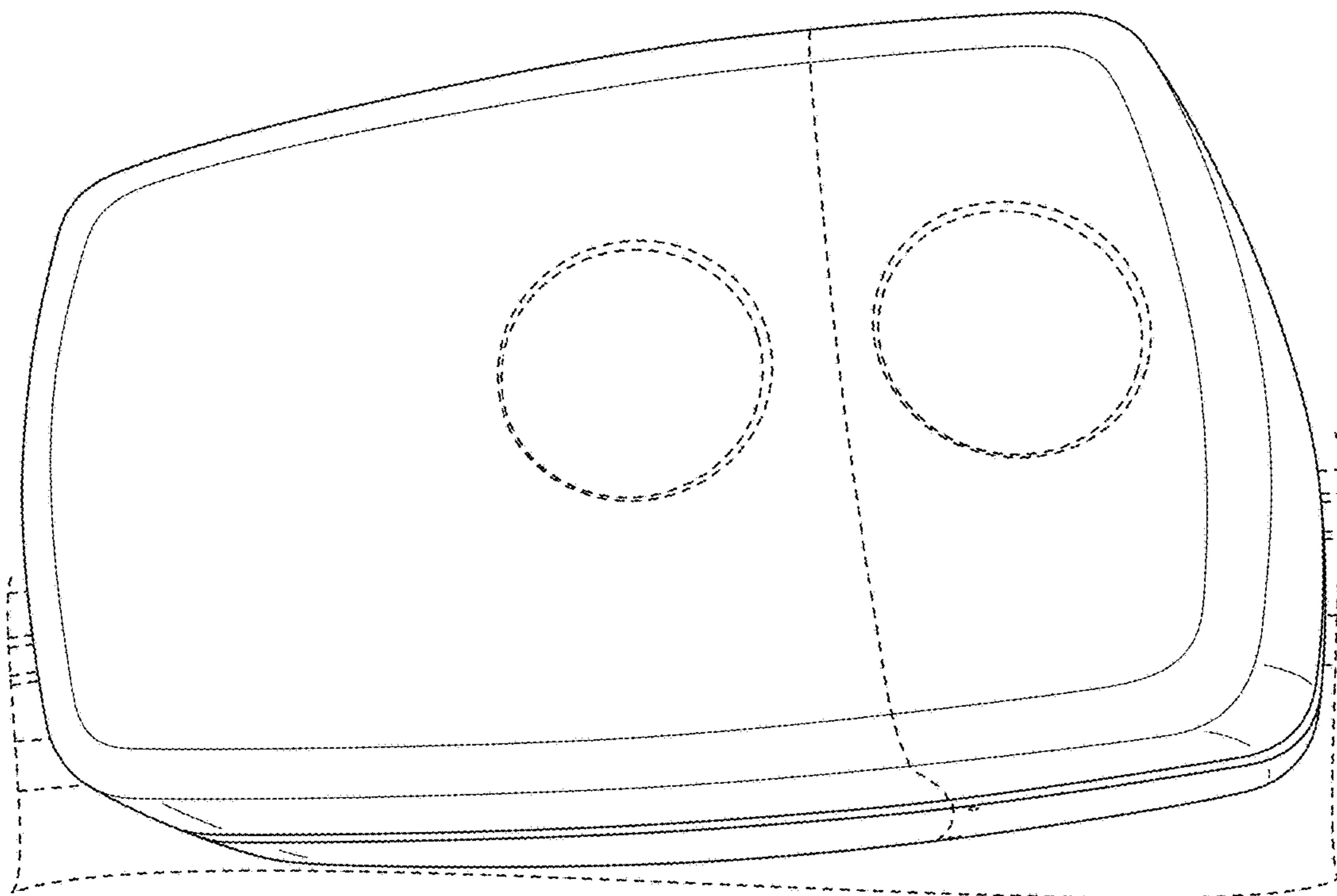


FIG. 4