



US00D802708S

(12) **United States Design Patent**
Savakis

(10) **Patent No.:** **US D802,708 S**

(45) **Date of Patent:** **** Nov. 14, 2017**

(54) **GRIP FOR A SPINNING REEL**

(71) Applicant: **Reel Grip, Ltd.**, Wadsworth, OH (US)

(72) Inventor: **Angelo N. Savakis**, Chagrin Falls, OH (US)

(73) Assignee: **Reel Grip, Ltd.**, Wadsworth, OH (US)

(**) Term: **15 Years**

(21) Appl. No.: **29/566,506**

(22) Filed: **May 31, 2016**

(51) **LOC (10) Cl.** **22-05**

(52) **U.S. Cl.**
USPC **D22/140**

(58) **Field of Classification Search**
USPC D8/300, 301, 302, 303, 304, 305;
D22/137, 138, 139, 140, 141, 134, 199
CPC A01K 89/006; A47B 95/02; B25G 1/00;
B25G 1/102
See application file for complete search history.

(56) **References Cited**

U.S. PATENT DOCUMENTS

D616,524 S *	5/2010	Haroian	D22/134
D671,616 S *	11/2012	Savakis	D22/142
2006/0283999 A1 *	12/2006	Savakis	A01K 89/006 242/283

* cited by examiner

Primary Examiner — Karen S Acker

Assistant Examiner — S. Bryan Reinholdt, Jr.

(74) *Attorney, Agent, or Firm* — Black, McCuskey, Souers & Arbaugh, LPA

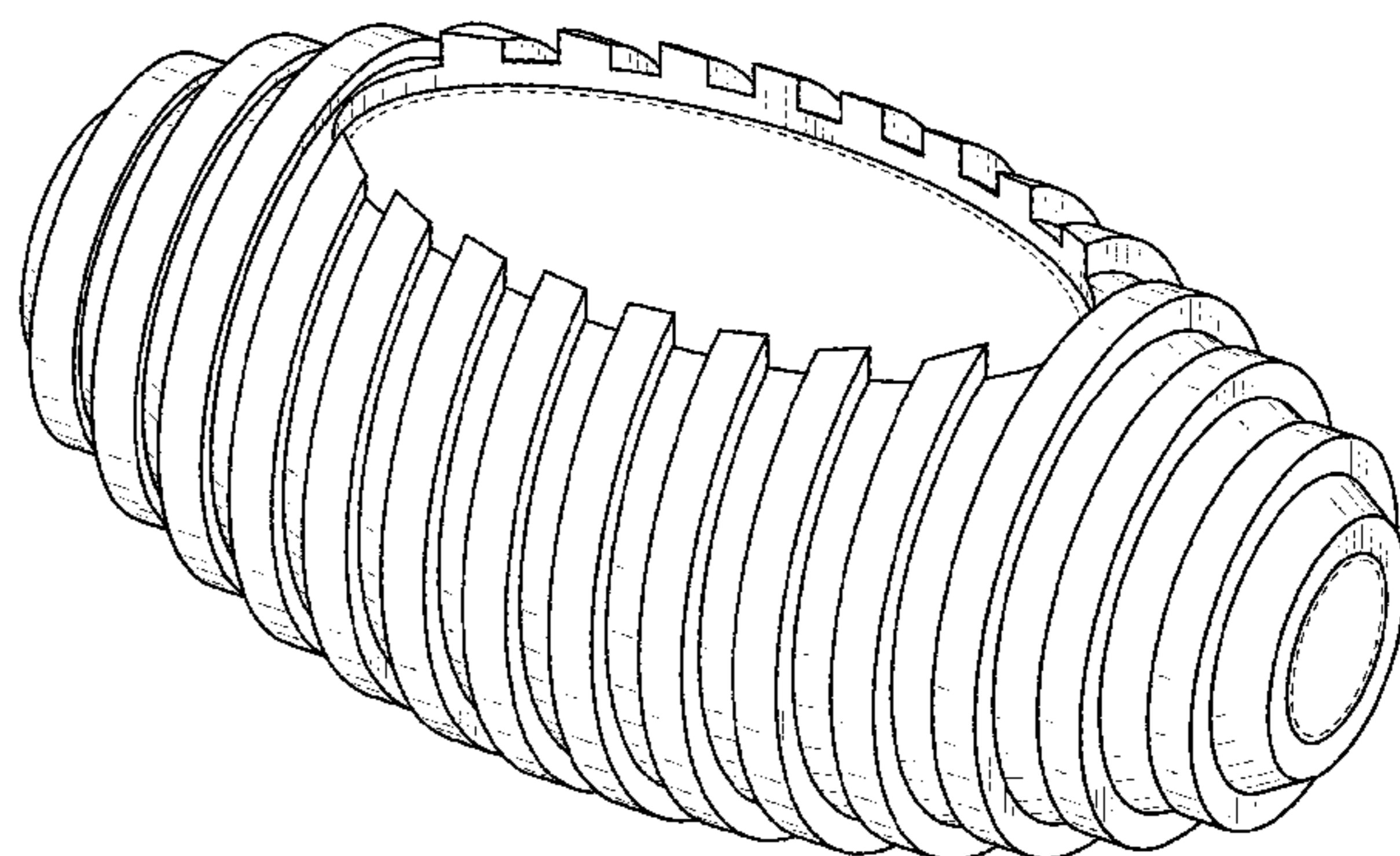
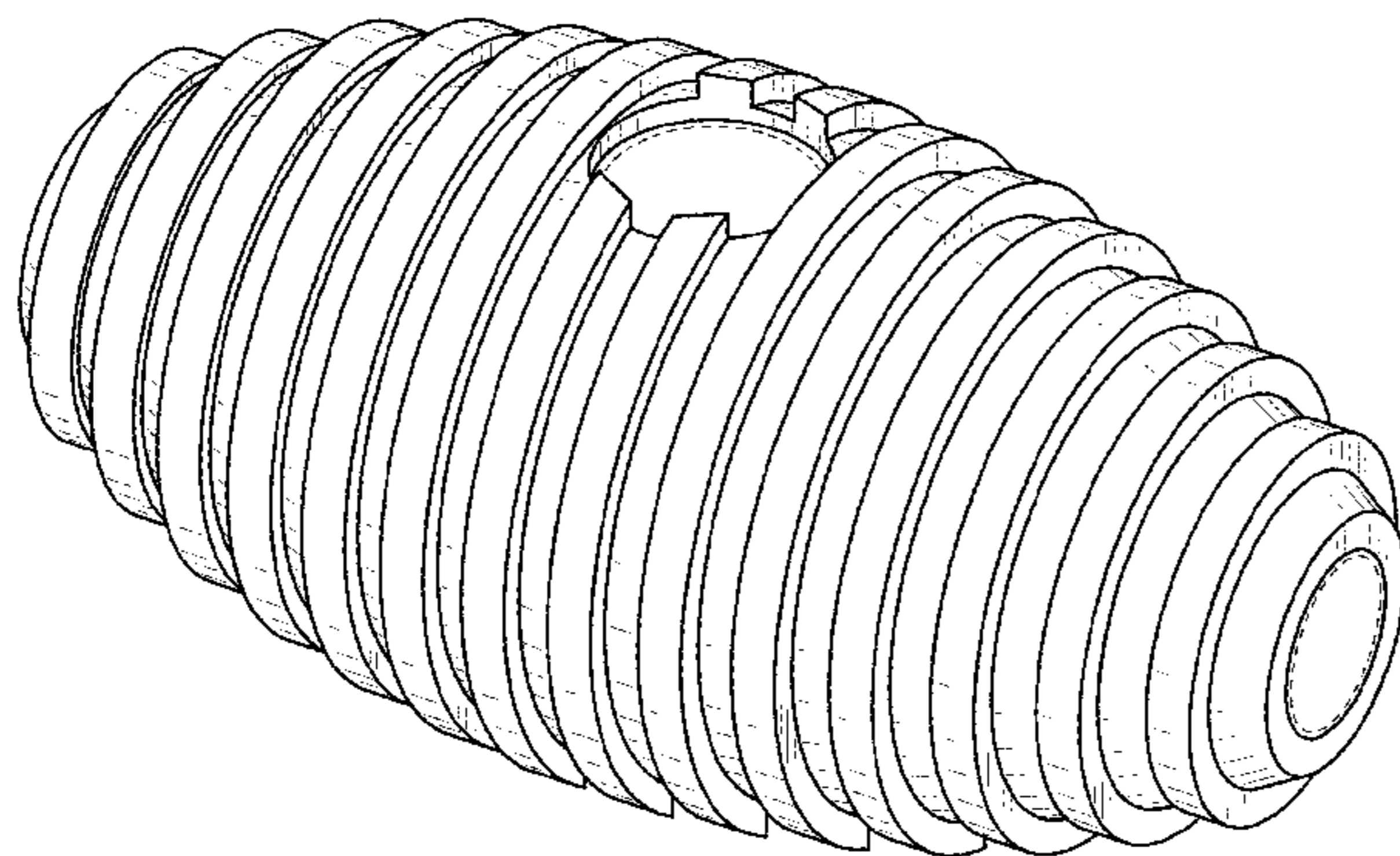
(57) **CLAIM**

The ornamental design for a grip for a spinning reel, as shown and described.

DESCRIPTION

FIG. 1 is a perspective view of the top of a grip for a spinning reel;
 FIG. 2 is a perspective view of the bottom of the grip for a spinning reel of FIG. 1;
 FIG. 3 is lateral view of the top of the grip for a spinning reel of FIG. 1;
 FIG. 4 is a lateral view of the bottom of the grip for a spinning reel of FIG. 1;
 FIG. 5 is a side view of the grip for a spinning reel in FIG. 1, the opposite side view being identical; and,
 FIG. 6 is an end view of the grip for a spinning reel of FIG. 1, the opposite side view being identical.
 The broken lines surrounding the interior of the grip for a spinning reel depict the boundaries to the claim and form no part thereof.

1 Claim, 3 Drawing Sheets



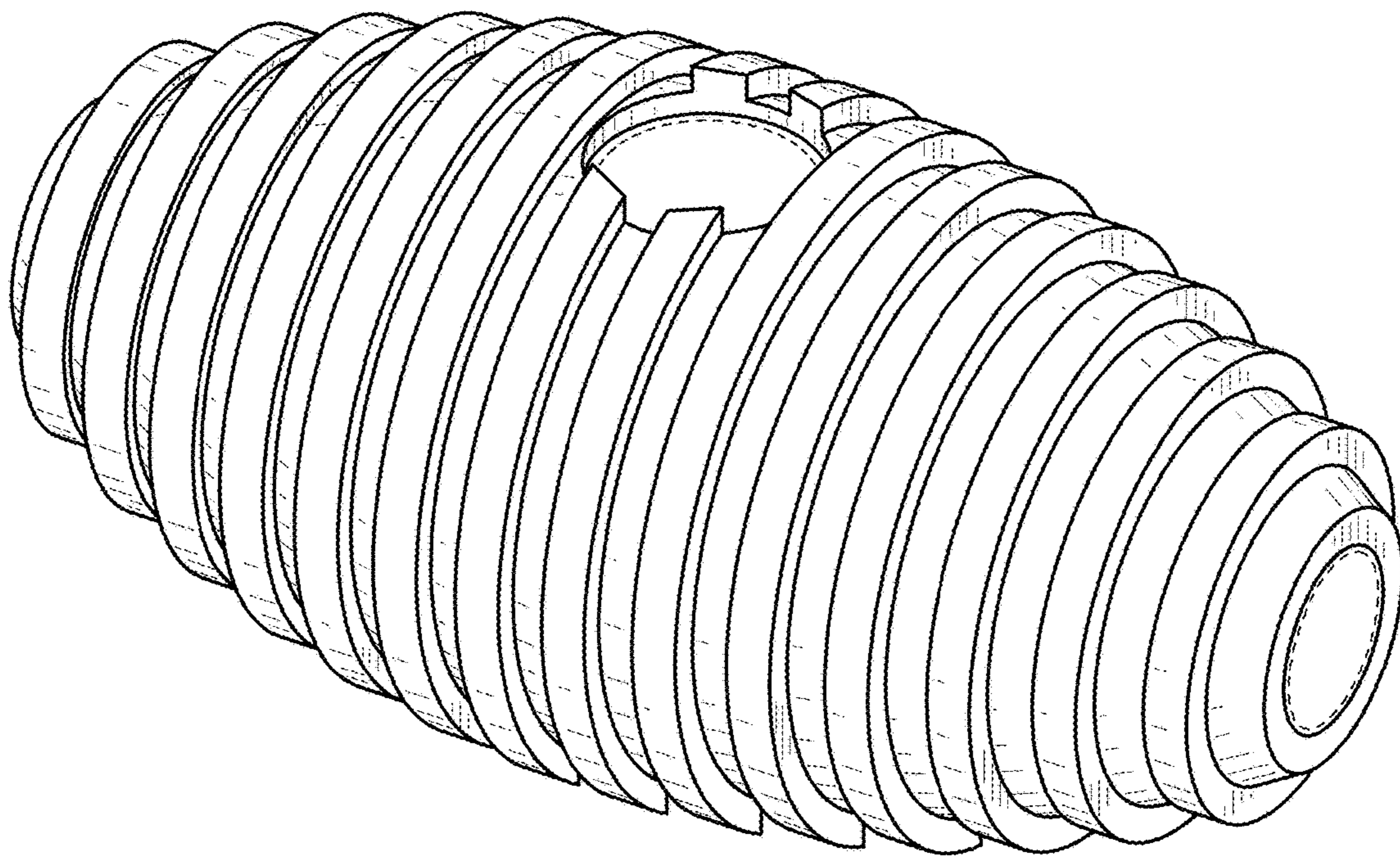


Fig. 1

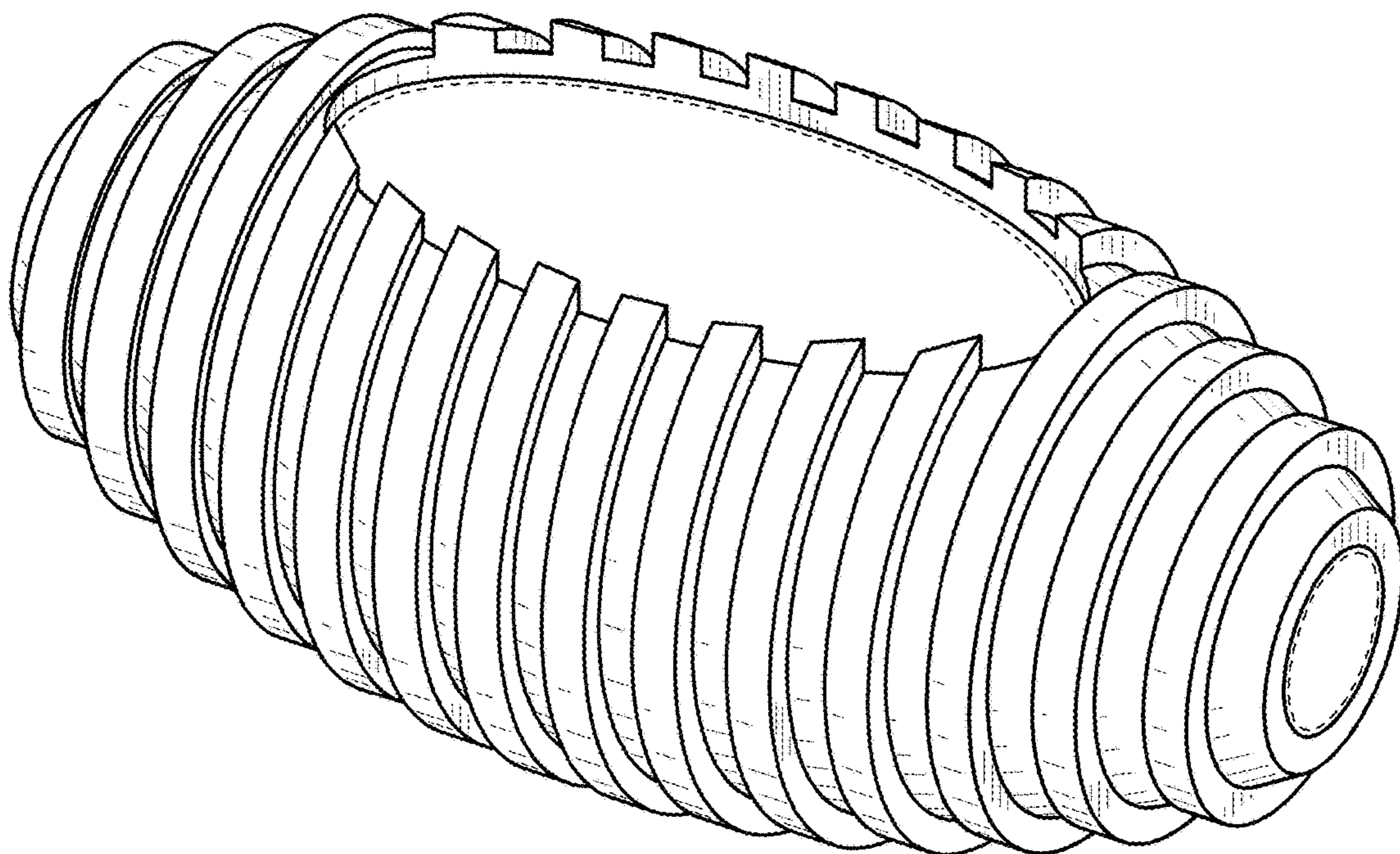


Fig. 2

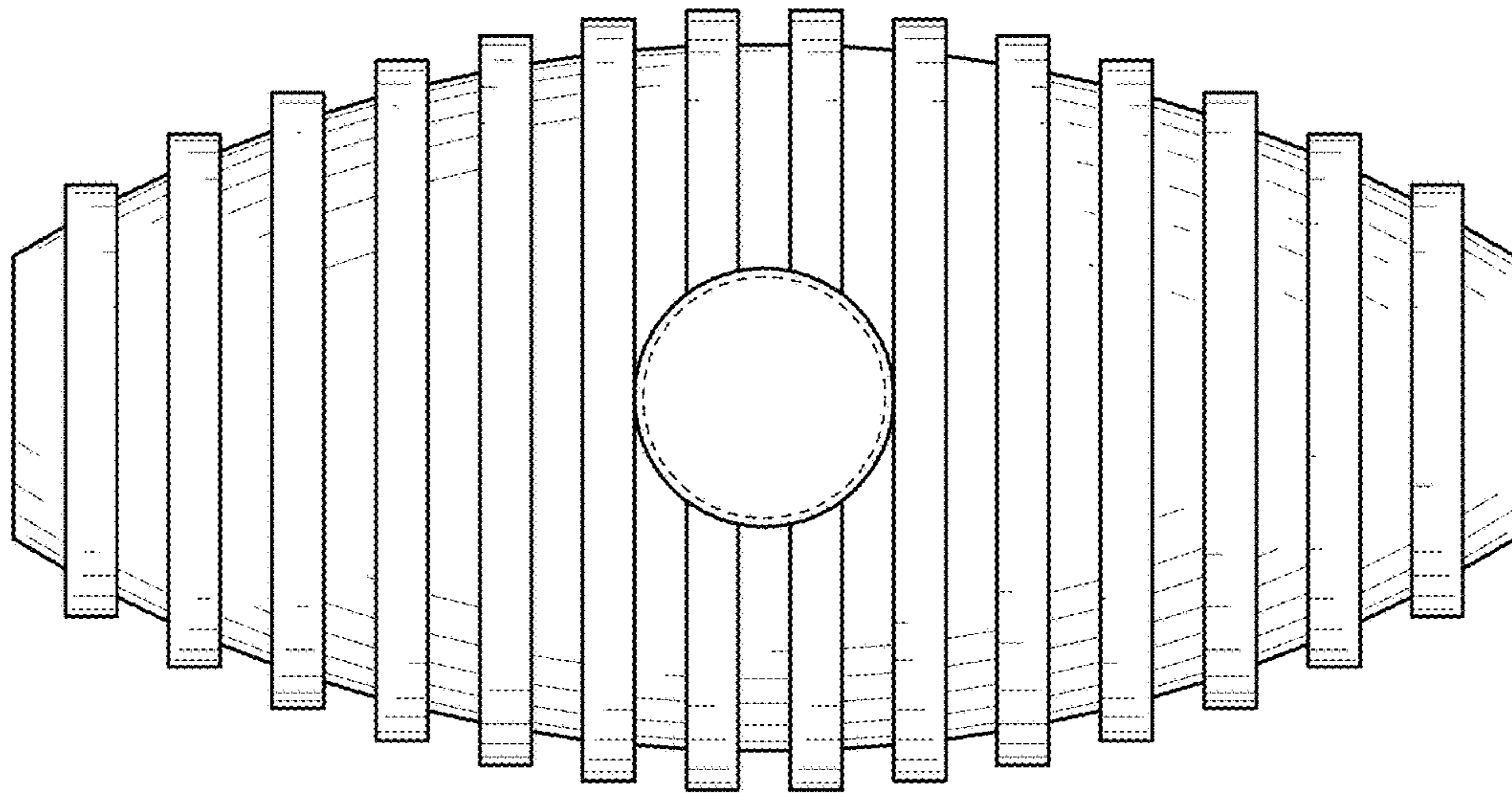


Fig. 3

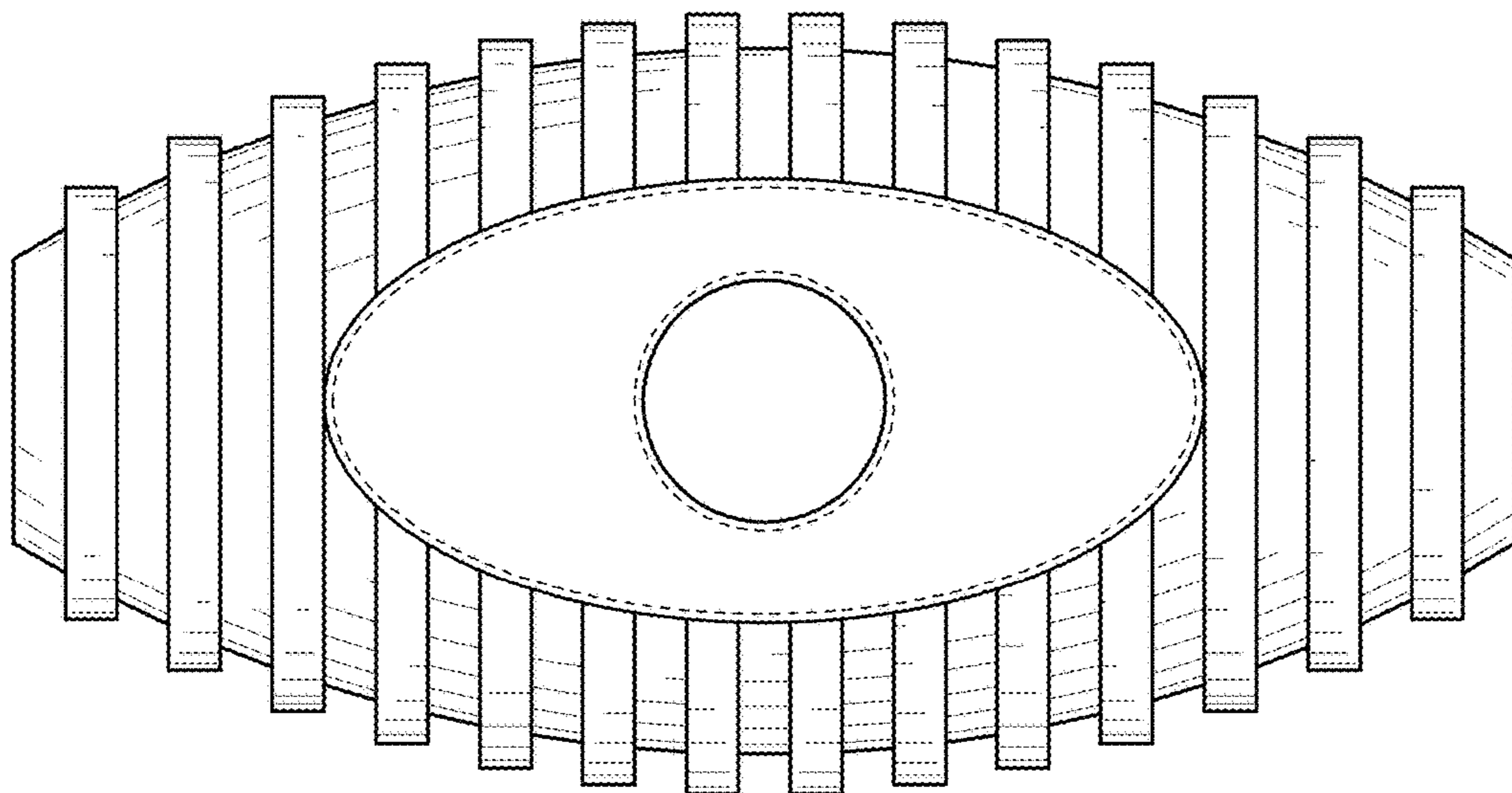


Fig. 4

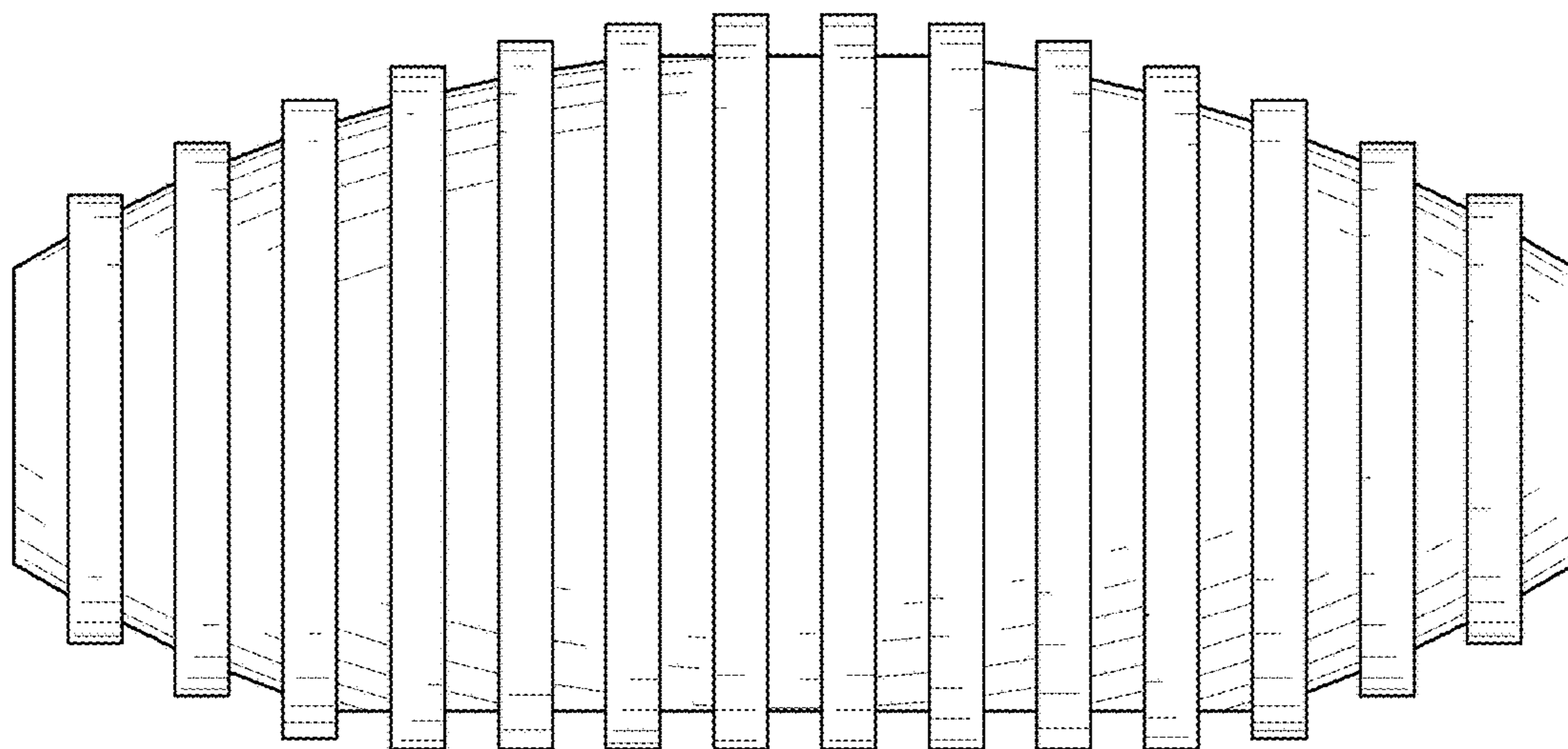


Fig. 5

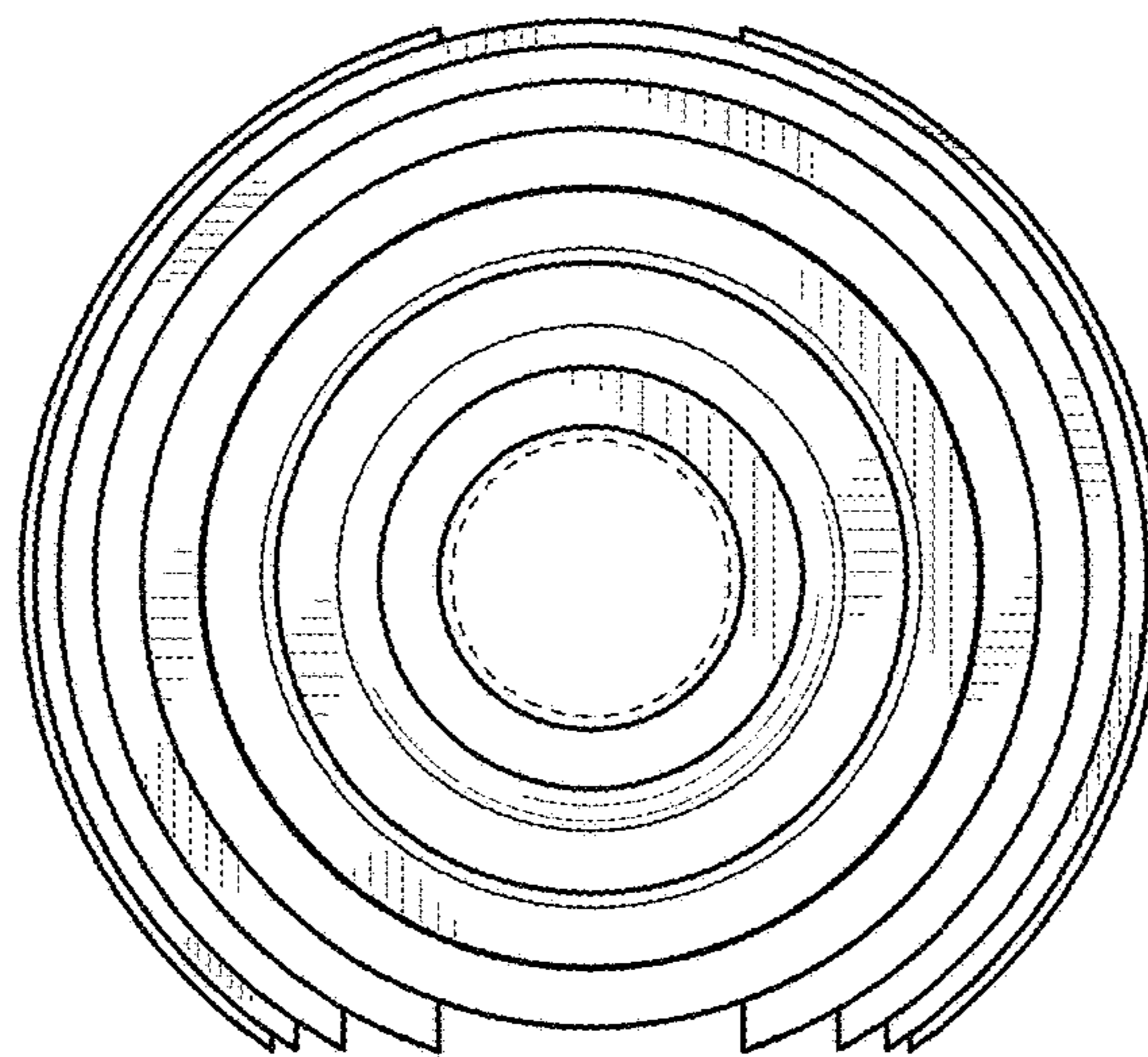


Fig. 6