



US00D802707S

(12) **United States Design Patent**
Torra

(10) **Patent No.:** **US D802,707 S**

(45) **Date of Patent:** **** Nov. 14, 2017**

(54) **RAT PREVENTION DEVICE**

4,112,527 A 9/1978 Giubilo
6,049,918 A 4/2000 White, Sr.
7,013,501 B2 3/2006 Jones et al.

(71) Applicant: **Alessandro Torra**, North Reading, MA
(US)

FOREIGN PATENT DOCUMENTS

(72) Inventor: **Alessandro Torra**, North Reading, MA
(US)

WO 2011012581 2/2011
WO 2012107768 8/2012

(**) Term: **15 Years**

Primary Examiner — Catherine R Oliver-Garcia
(74) *Attorney, Agent, or Firm* — Gary E. Lambert; David
J. Connaughton, Jr.; Lambert & Associates

(21) Appl. No.: **29/581,664**

(22) Filed: **Oct. 20, 2016**

(57) **CLAIM**

(51) **LOC (10) Cl.** **22-06**

The ornamental design for a rat prevention device, as shown
and described.

(52) **U.S. Cl.**

USPC **D22/120**

(58) **Field of Classification Search**

DESCRIPTION

USPC D22/119–124; D23/309–313;
43/112–114, 121, 124, 131, 132.1, 137
CPC A01M 29/00; A01M 29/16; A01M 29/34;
A01M 29/28; A01M 2200/011; A01M
2200/012; A01M 1/106

See application file for complete search history.

FIG. 1 is an isometric view of a rat prevention device
embodying my design;
FIG. 2 is a top plan view of the rat prevention device;
FIG. 3 is a bottom plan view of the rat prevention device;
FIG. 4 is a side view of the rat prevention device;
FIG. 5 is a side view of the rat prevention device;
FIG. 6 is a side view of the rat prevention device; and,
FIG. 7 is an isometric view of the rat prevention device in
a position of use.

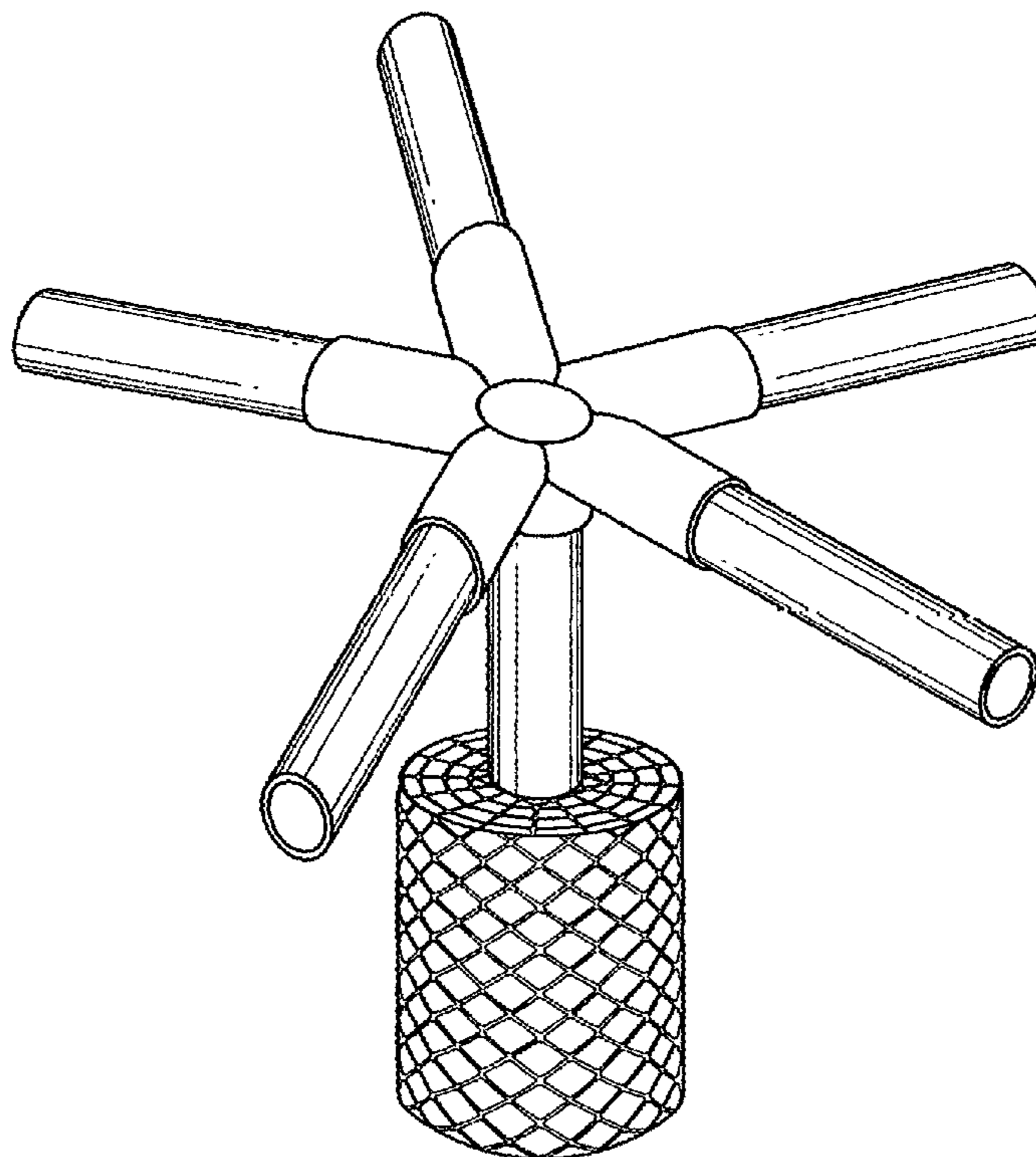
(56) **References Cited**

U.S. PATENT DOCUMENTS

706,869 A 8/1902 Woodruff
2,894,263 A 7/1959 Kunkel et al.
3,105,975 A 10/1963 Kresel
3,393,408 A 7/1968 Martin
3,545,010 A 12/1970 Beebe
3,675,248 A 7/1972 Gaj

The toilet depicted by broken lines in FIG. 7 have been
shown for the purpose of illustrating environmental features
that form no part of the claimed design.

1 Claim, 5 Drawing Sheets



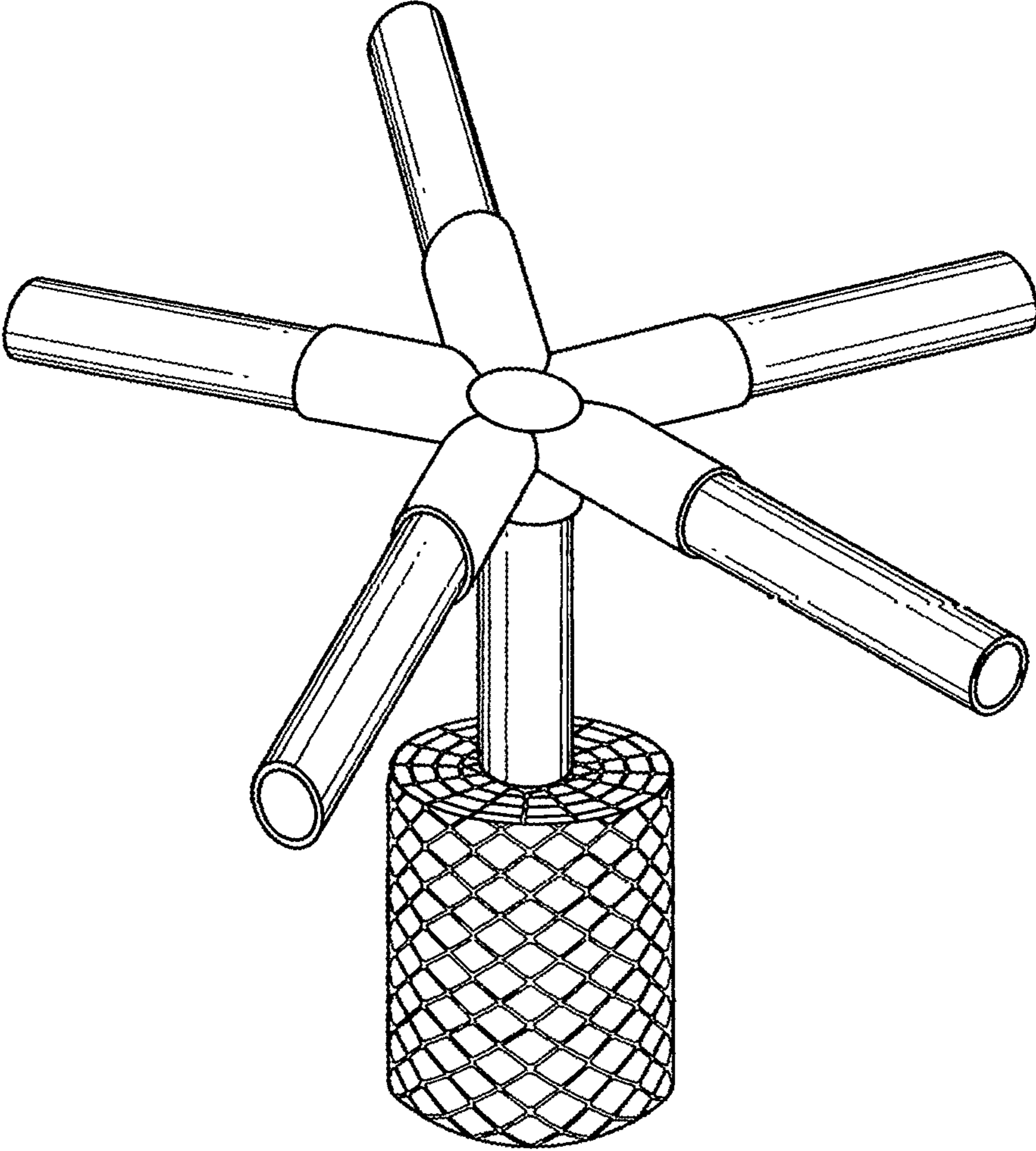
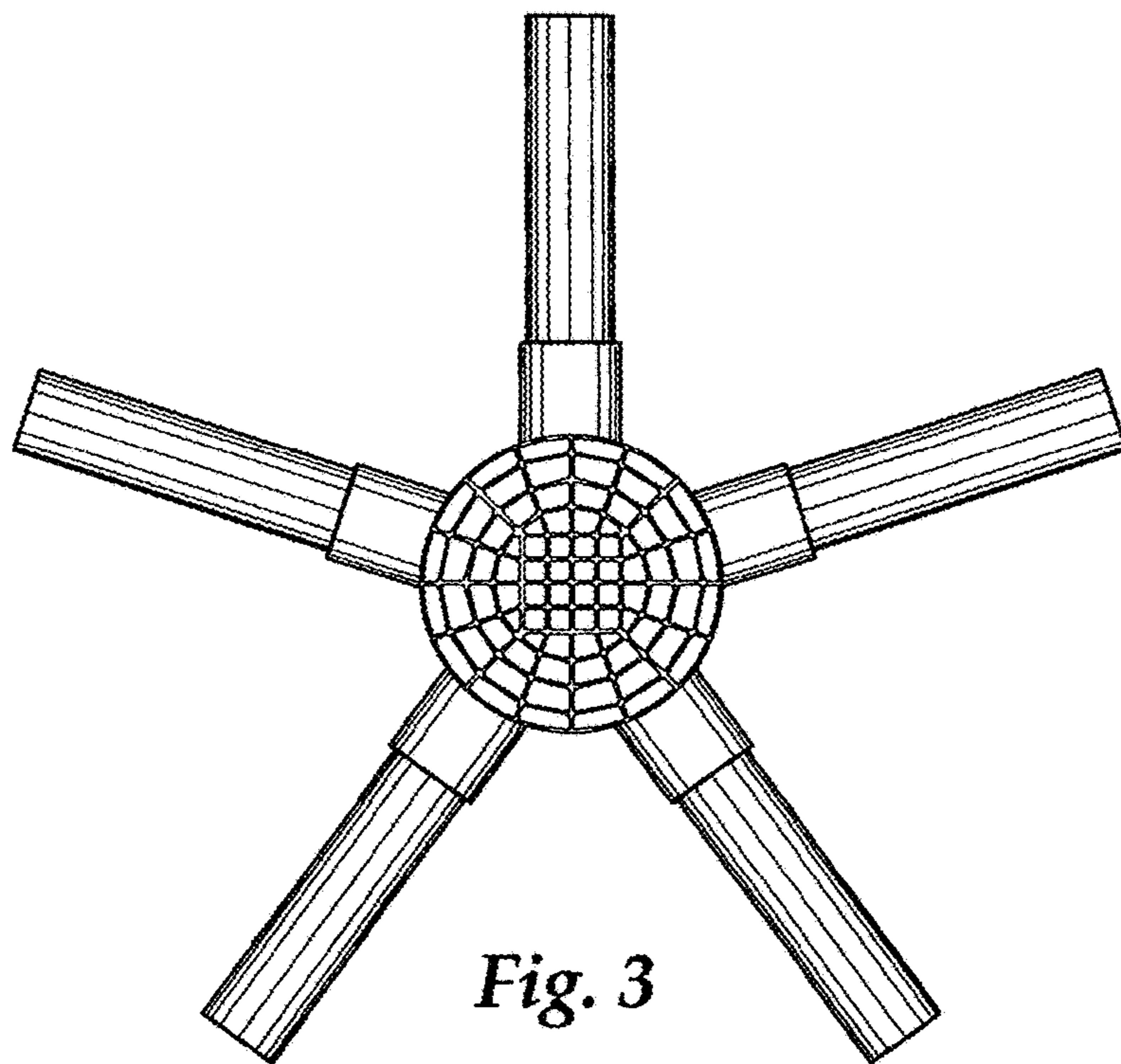
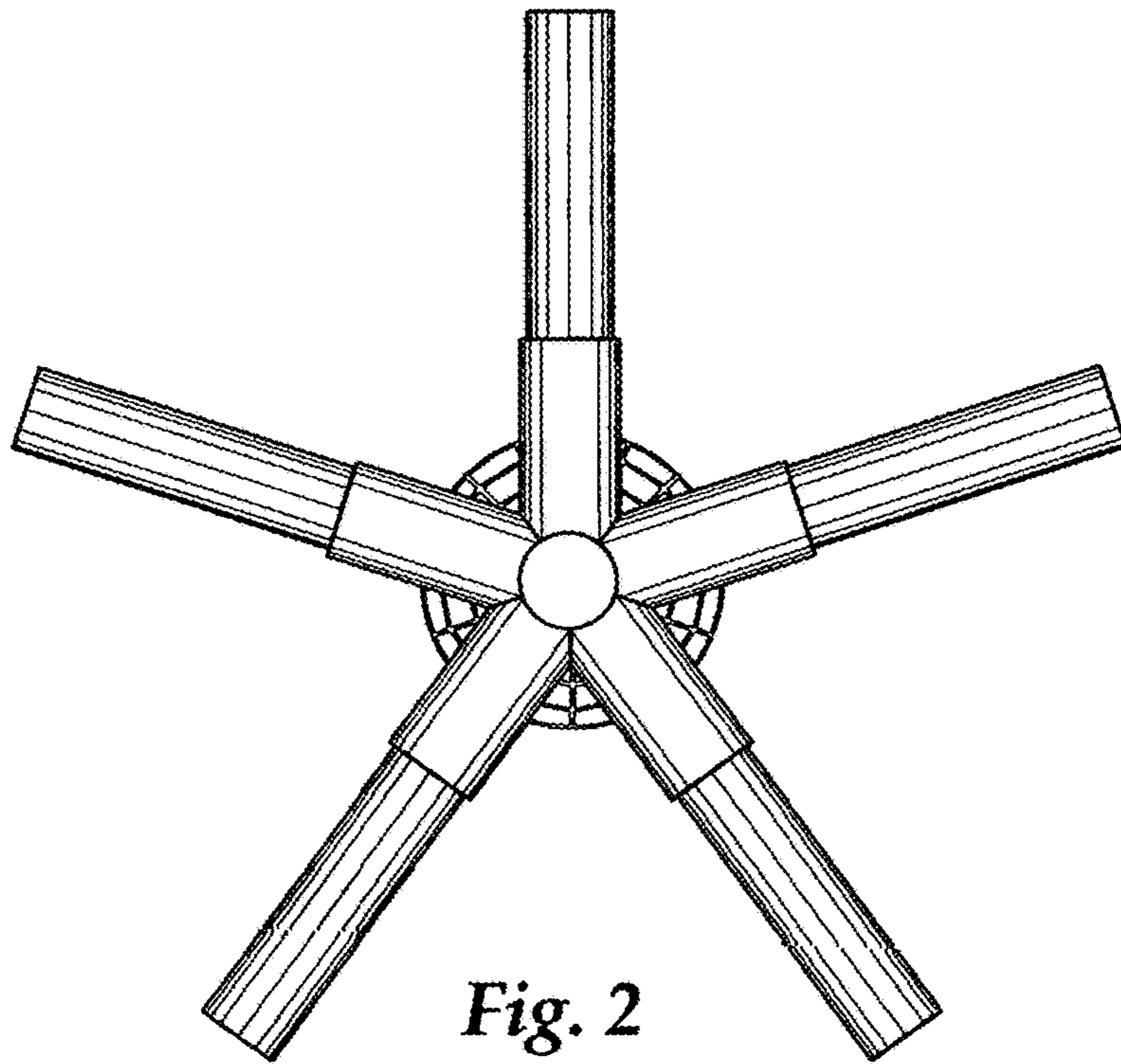


Fig. 1



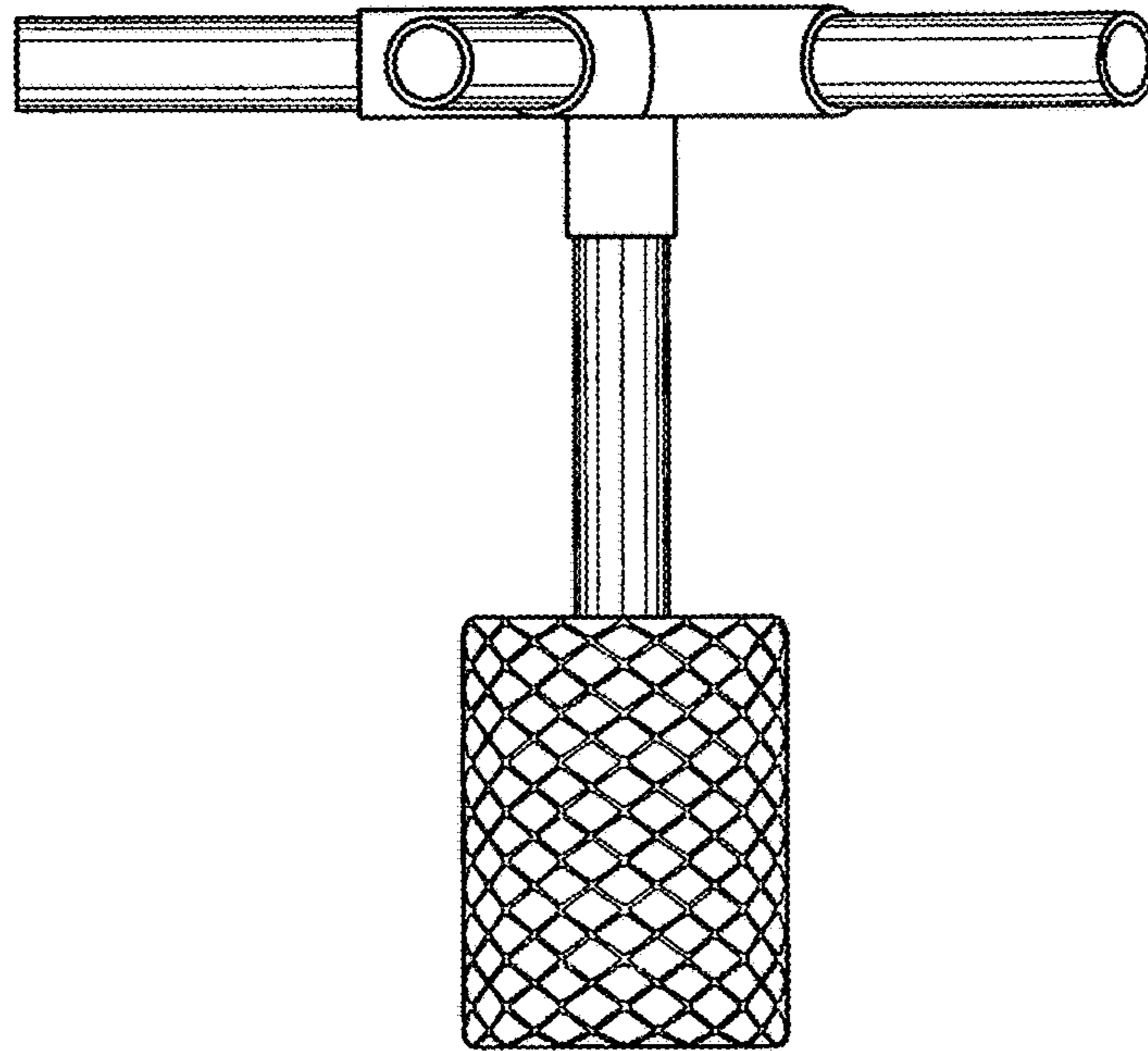


Fig. 4

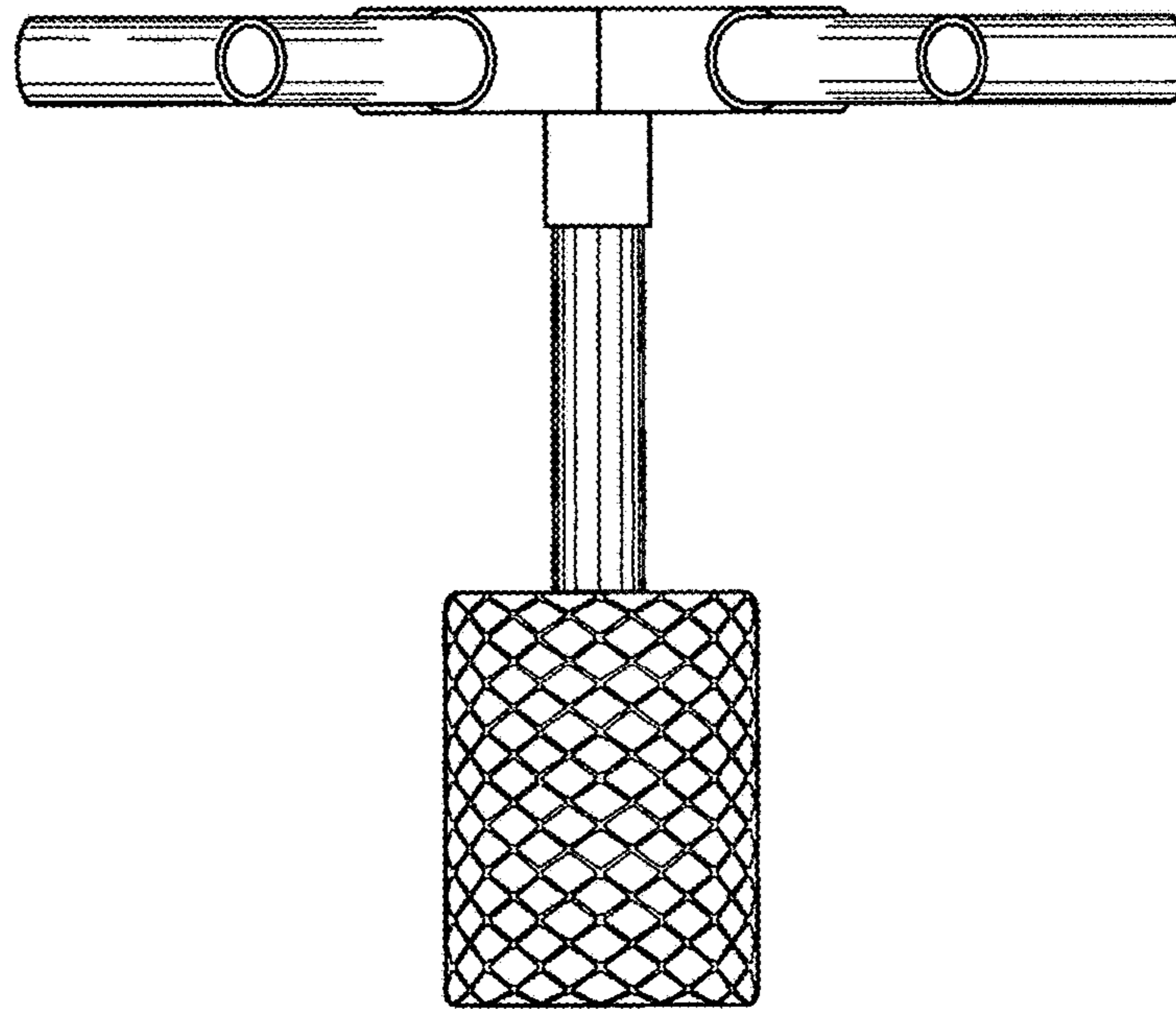


Fig. 5

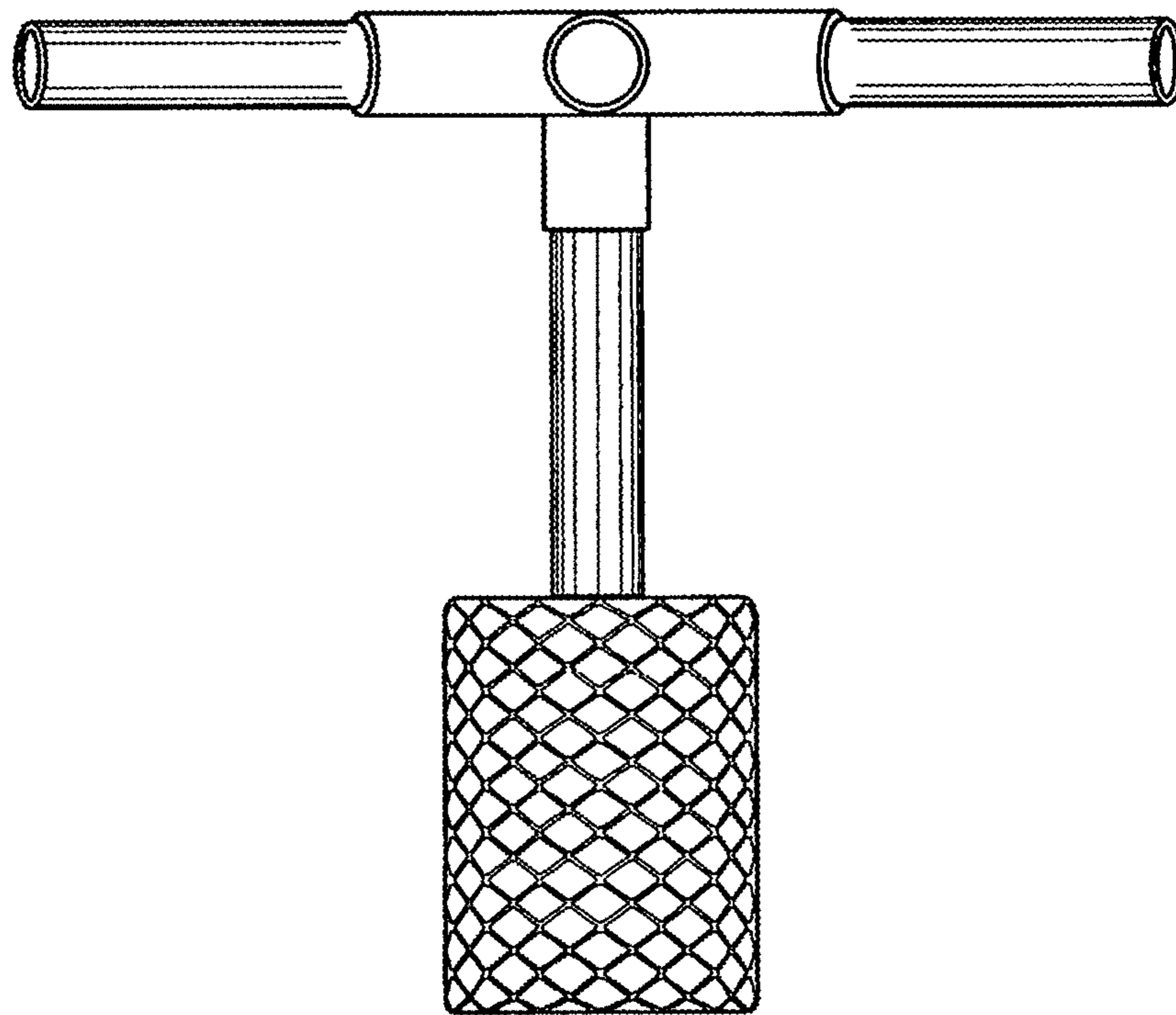


Fig. 6

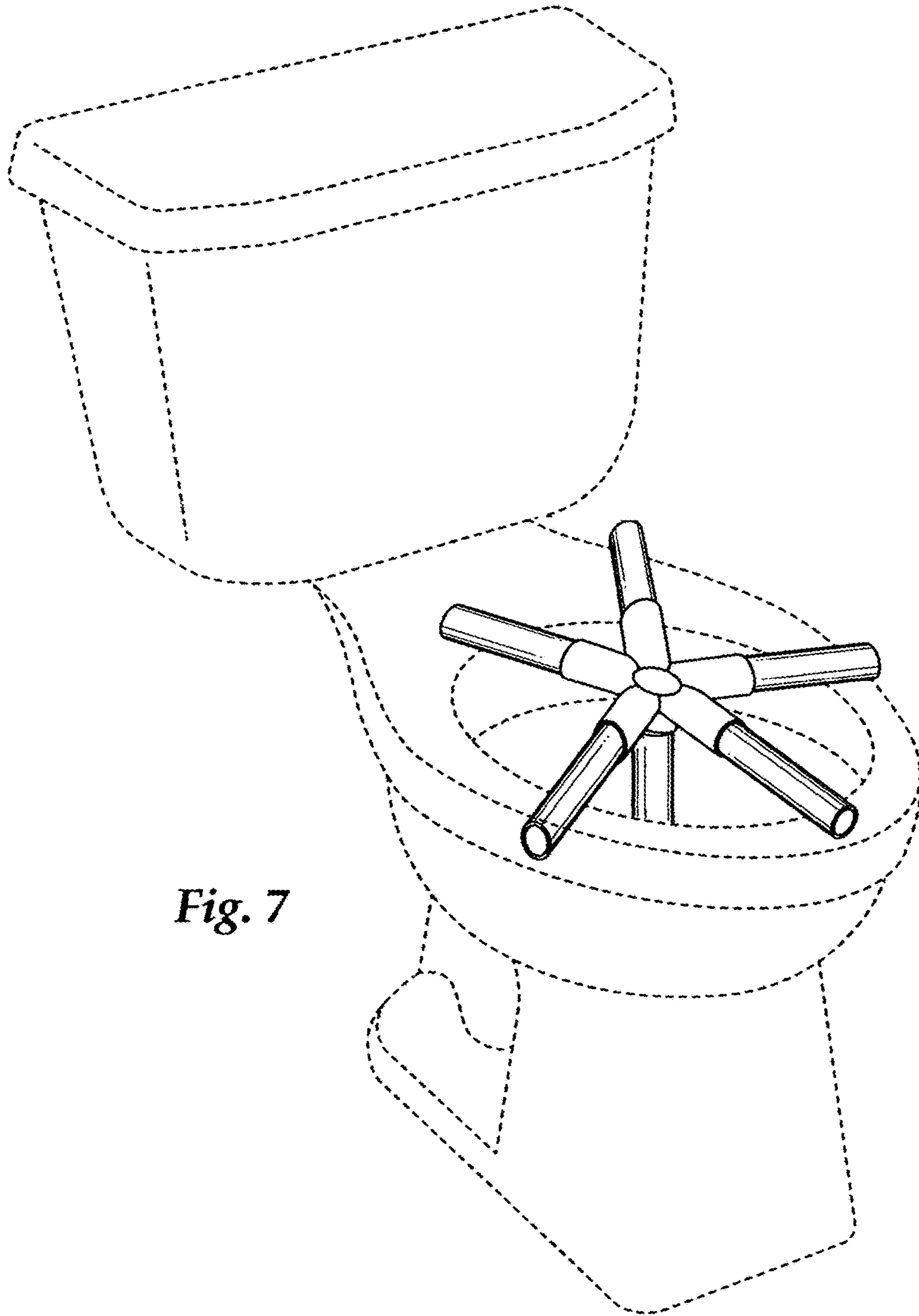


Fig. 7