



US00D802704S

(12) **United States Design Patent**
Planck

(10) **Patent No.:** **US D802,704 S**

(45) **Date of Patent:** **** Nov. 14, 2017**

(54) **LASER DEVICE**

(71) Applicant: **Crimson Trace Corporation,**
Wilsonville, OR (US)

(72) Inventor: **William Planck,** Hillsboro, OR (US)

(73) Assignee: **Crimson Trace Corporation,**
Wilsonville, OR (US)

(**) Term: **15 Years**

(21) Appl. No.: **29/572,578**

(22) Filed: **Jul. 28, 2016**

(51) **LOC (10) Cl.** **22-01**

(52) **U.S. Cl.**
USPC **D22/109**

(58) **Field of Classification Search**
USPC D22/108-109; 89/111-113; 359/399,
359/823, 744; 42/104, 105, 111-113,
42/116, 120, 124-126, 127-129,
42/141-148, 133-140; 33/227, 229
CPC . F41G 1/35; F41G 11/003; F41G 1/00; F41G
1/36; F41G 1/34; F41G 3/26
See application file for complete search history.

(56) **References Cited**

U.S. PATENT DOCUMENTS

4,856,218	A *	8/1989	Reynolds, Jr.	F41G 1/345 362/110
D603,478	S *	11/2009	Hughes	F41G 11/001 D22/110
D612,756	S *	3/2010	D'Amelio	D10/70
7,743,547	B2 *	6/2010	Houde-Walter	F41G 1/35 362/110
D636,049	S *	4/2011	Hughes	F41G 11/001 D22/109
D636,837	S *	4/2011	Hughes	F41G 11/001 D22/109
8,256,154	B2 *	9/2012	Danielson	F41A 19/11 42/117

D669,553	S *	10/2012	Hughes	D22/109
D669,958	S *	10/2012	Essig	D22/108
D669,959	S *	10/2012	Johnston	D22/108
D674,861	S *	1/2013	Johnston	D22/109
D674,862	S *	1/2013	Johnston	D22/109
D687,120	S *	7/2013	Hughes	D22/109
D692,518	S *	10/2013	Anderson	D22/108
D693,898	S *	11/2013	Essig	D22/108
D694,847	S *	12/2013	Anderson	D22/108

(Continued)

OTHER PUBLICATIONS

LG-482-HBT Green Laserguard with Blade-Tech Holster for Walther PPS M2, CrimsonTrace.com, [online], [site visited Jun. 14, 2017]. URL: <https://www.crimsontrace.com/products/type/laserguard/01-6380>.*

(Continued)

Primary Examiner — T. Chase Nelson

Assistant Examiner — Jonathan J. Han

(74) *Attorney, Agent, or Firm* — Schwabe, Williamson & Wyatt, P.C.

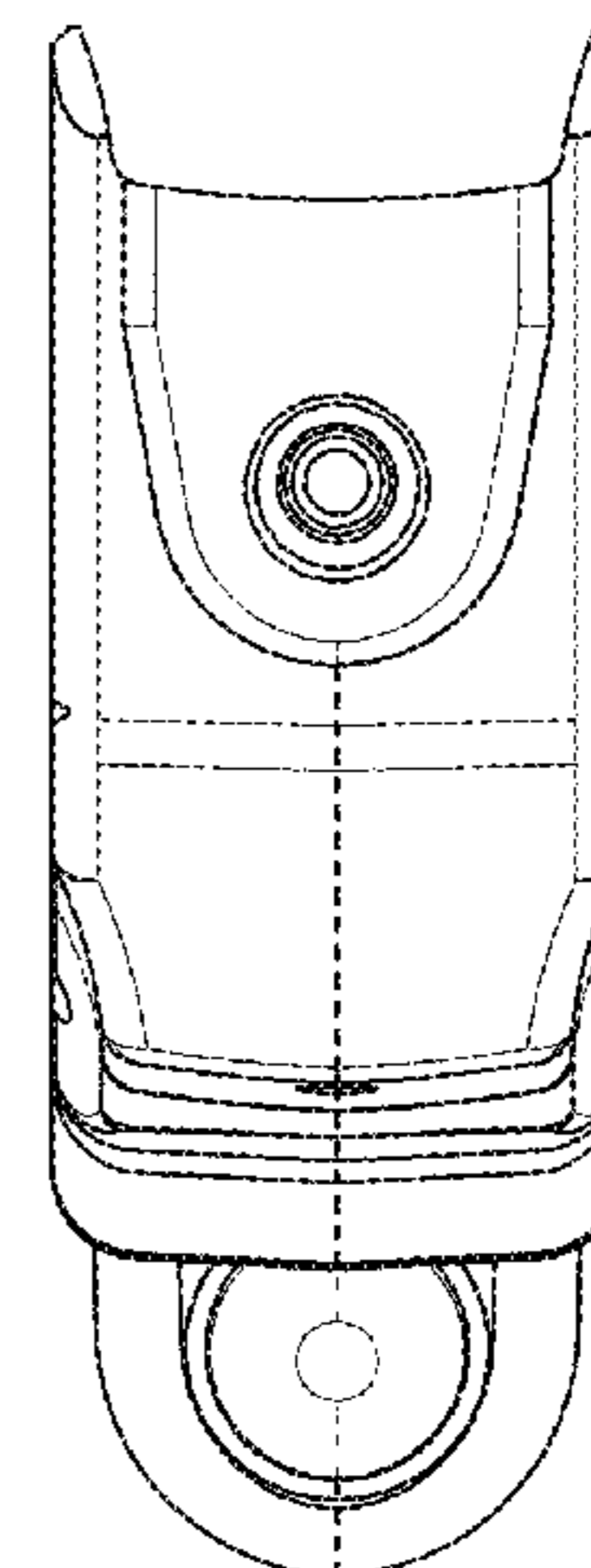
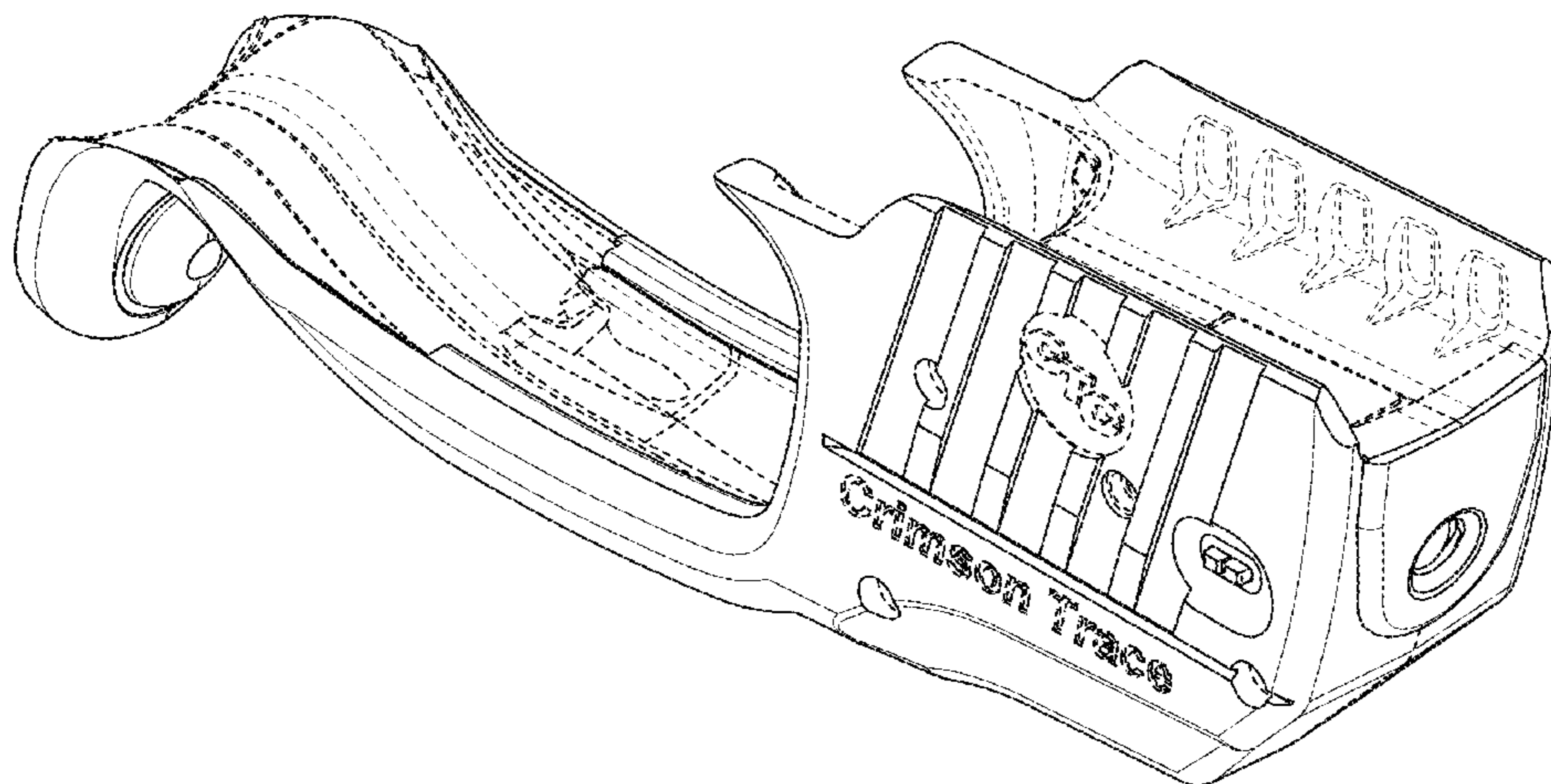
(57) **CLAIM**

I claim an ornamental design for a laser device, as shown and described.

DESCRIPTION

FIG. 1 is a perspective view of a laser device, showing our new design;
FIG. 2 is a front view thereof;
FIG. 3 is a rear view thereof;
FIG. 4 is a right side view thereof;
FIG. 5 is a left side view thereof;
FIG. 6 is a top view thereof; and,
FIG. 7 is a bottom view thereof.
The dashed lines are included for illustrating interior and/or environmental structures and form no part of the claimed design.

1 Claim, 6 Drawing Sheets



(56)

References Cited

U.S. PATENT DOCUMENTS

D694,848 S * 12/2013 Anderson D22/109
 D696,376 S * 12/2013 Anderson D22/109
 D709,981 S * 7/2014 Johnston D22/108
 8,915,009 B2 * 12/2014 Caulk F41G 1/35
 42/114
 D738,456 S * 9/2015 Hughes D22/109
 D738,457 S * 9/2015 Johnston D22/109
 D742,991 S * 11/2015 Klecker D22/109
 D755,340 S * 5/2016 Essig D22/109
 D763,400 S * 8/2016 Johnston D22/109
 9,488,445 B2 * 11/2016 Houde-Walter F41G 1/35
 9,658,031 B1 * 5/2017 Hedeem F41G 1/35
 2012/0124885 A1 * 5/2012 Caulk F41G 1/35
 42/146
 2012/0144718 A1 * 6/2012 Danielson F41A 19/11
 42/117
 2013/0074351 A1 * 3/2013 Kowalczyk G01B 11/27
 33/286
 2013/0145672 A1 * 6/2013 Tuller, Jr. F41G 1/00
 42/114
 2016/0209168 A1 * 7/2016 Sharrah F41G 11/004

OTHER PUBLICATIONS

LG-482G Green Laserguard for Walther PPS M2, CrimsonTrace.com, [online], [site visited Jun. 14, 2017]. URL: <https://www.crimsontrace.com/products/type/laserguard/01-5810>.*

Crimson Trace's LG-482 Now Available Pre-Installed on Walther PPS M2, PersonalDefenseWorld.com, by Personal Defense World on Apr. 18, 2017, [online], [site visited Jun. 14, 2017]. URL: <http://www.personaldefenseworld.com/2017/04/lg-482-walther-pps-m2/>.*

New Holsters for Walther PPS M2 With Crimson Trace LG 482 Laser, DaraHolsters.com, Posted by Dana on Oct. 7, 2016, [online], [site visited Jun. 14, 2017]. URL: <https://www.daraholsters.com/blog/new-holsters-for-walther-pps-m2-with-crimson-trace-lg-482-laser/>.*

* cited by examiner

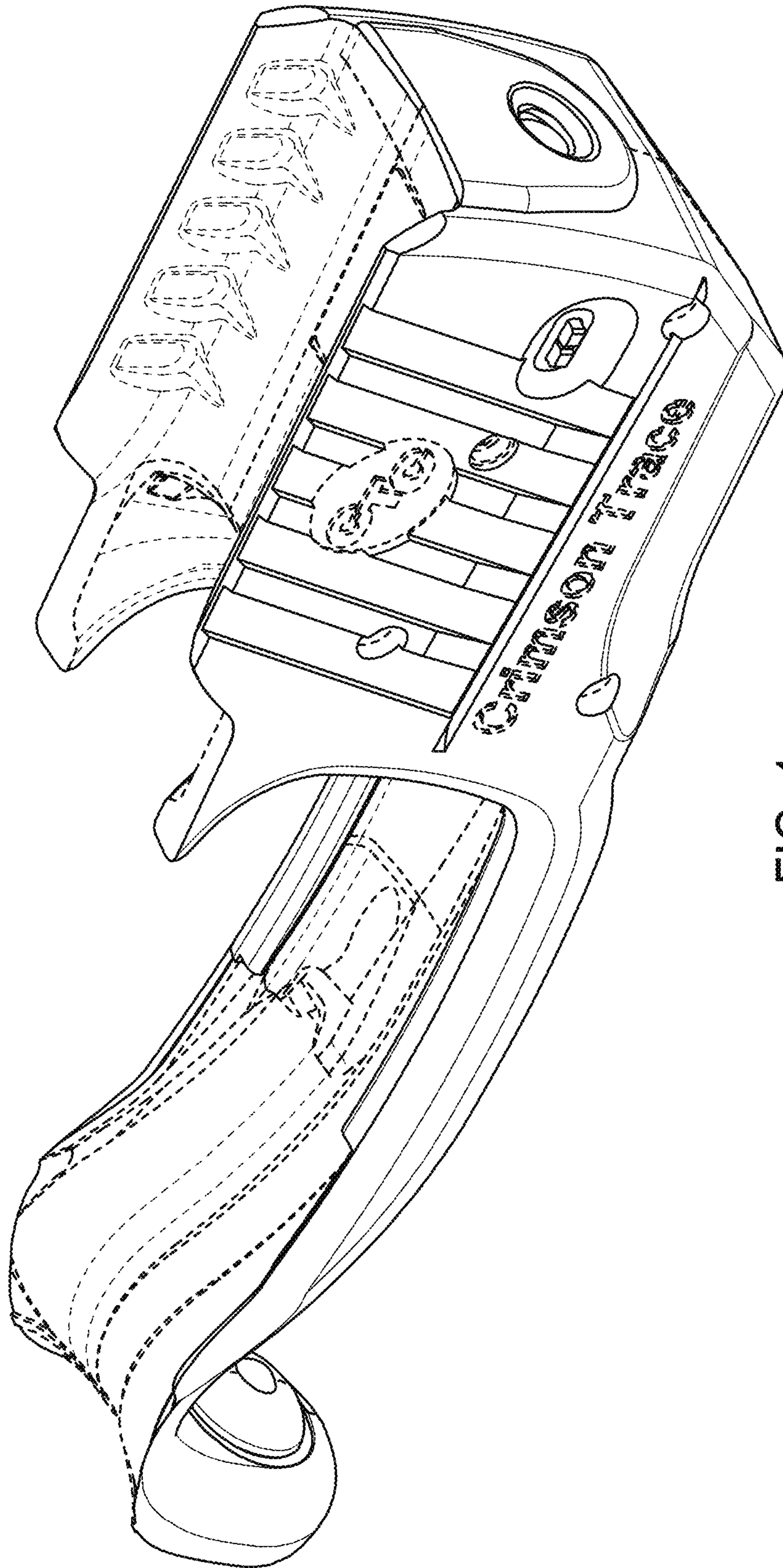


FIG. 1

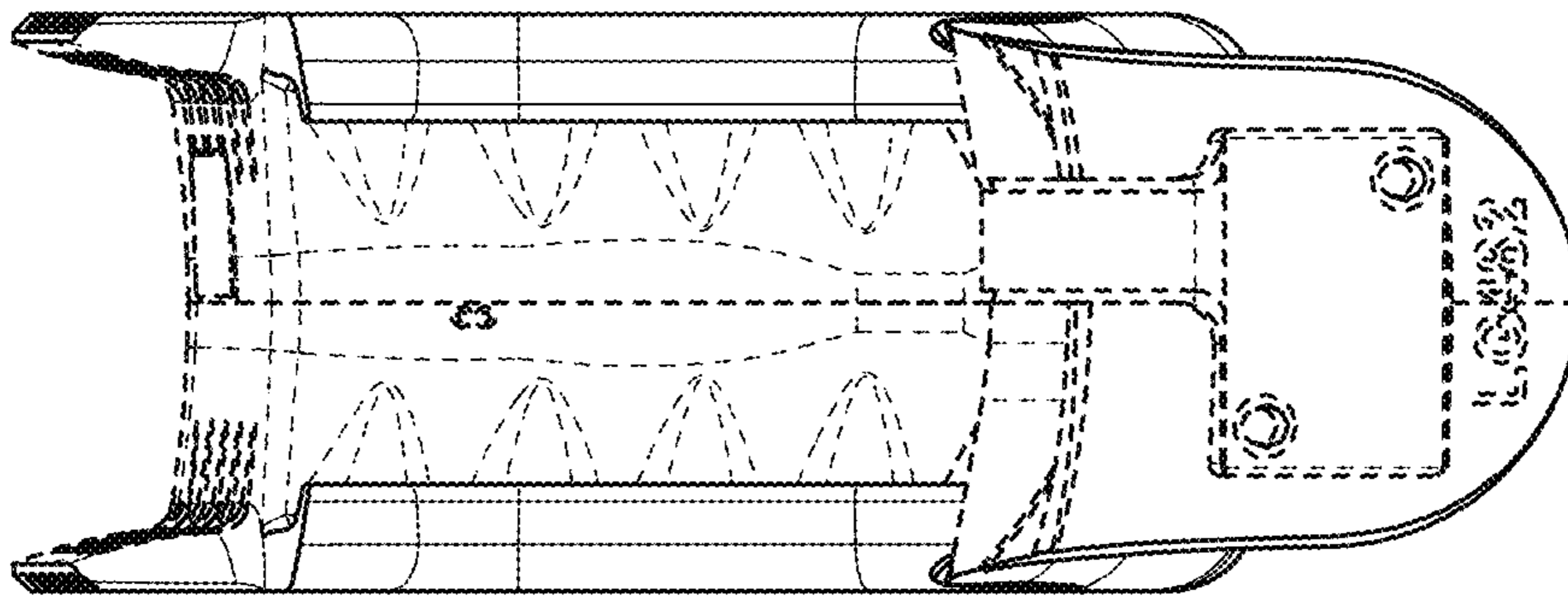


FIG. 3

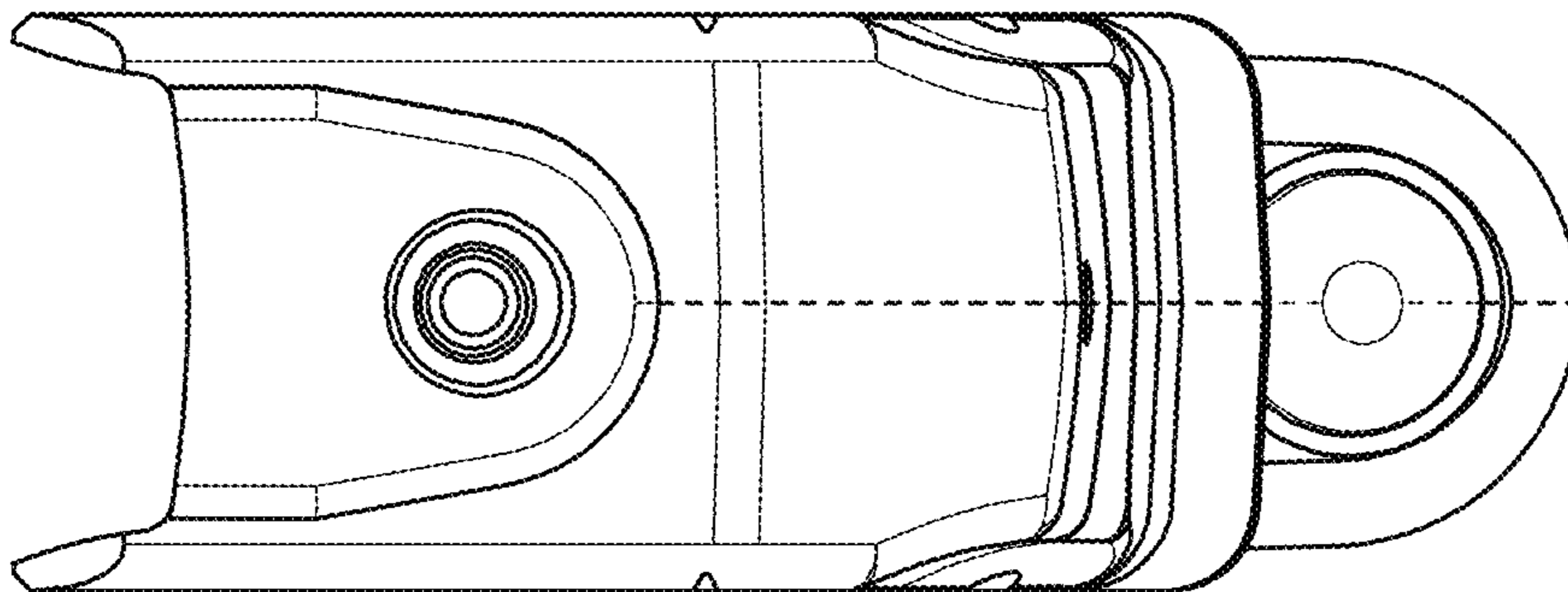


FIG. 2

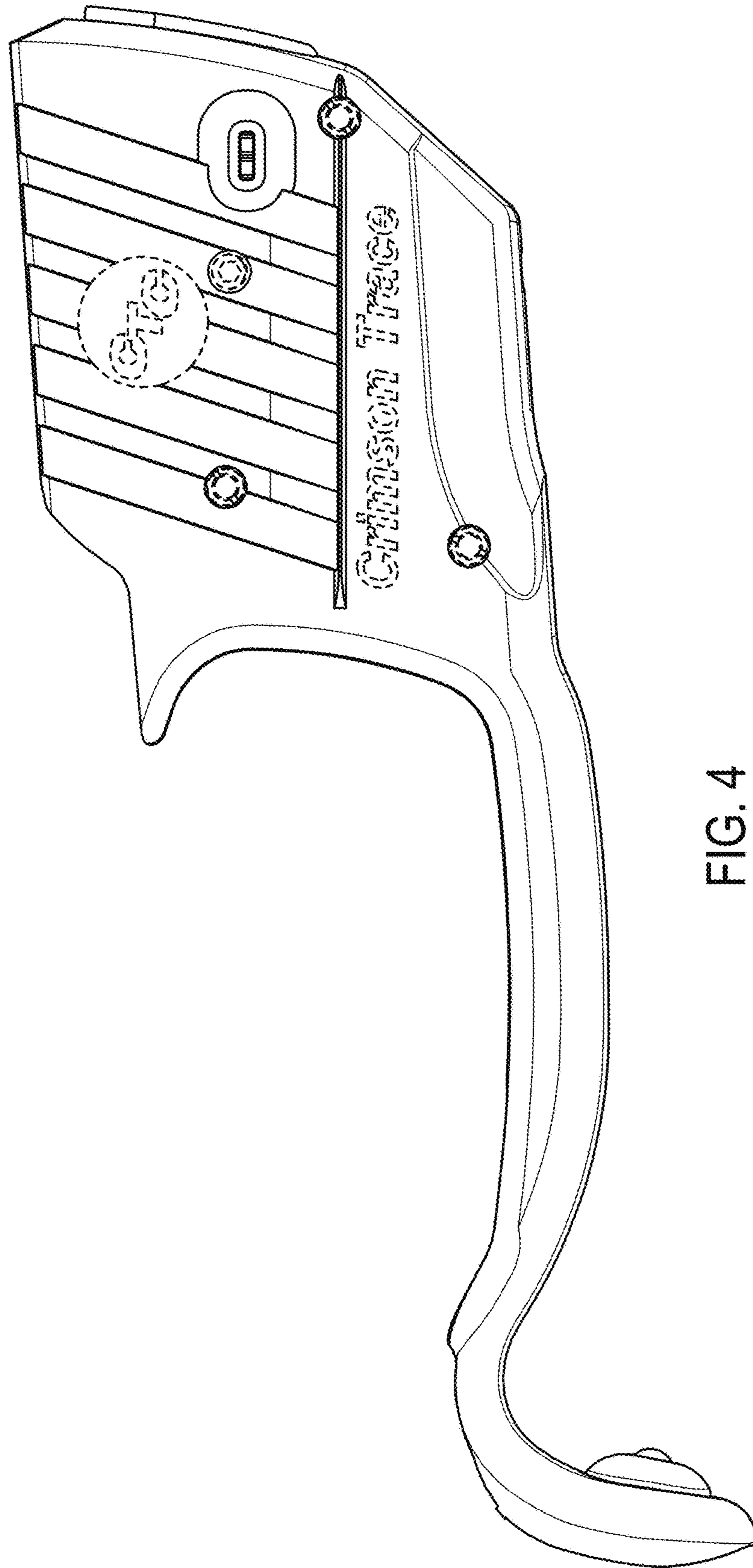


FIG. 4

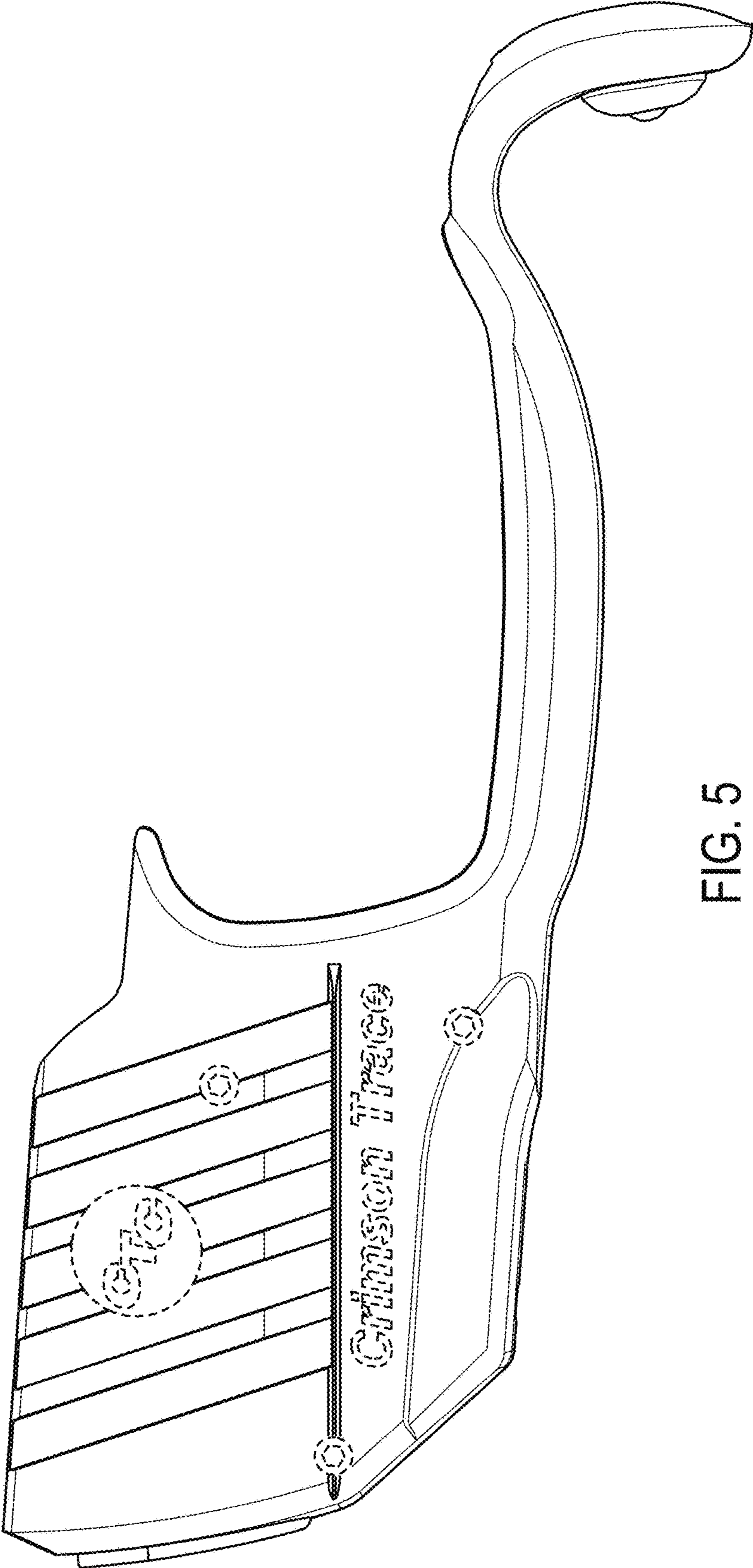


FIG. 5

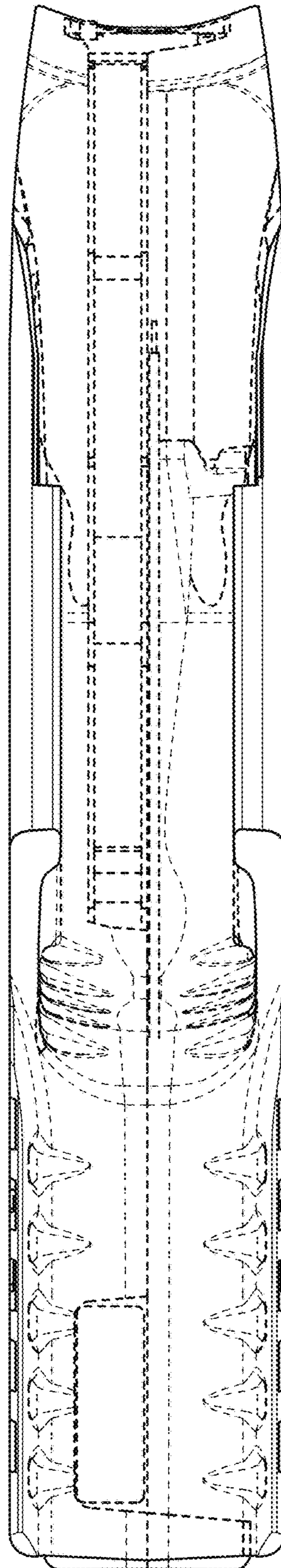


FIG. 6

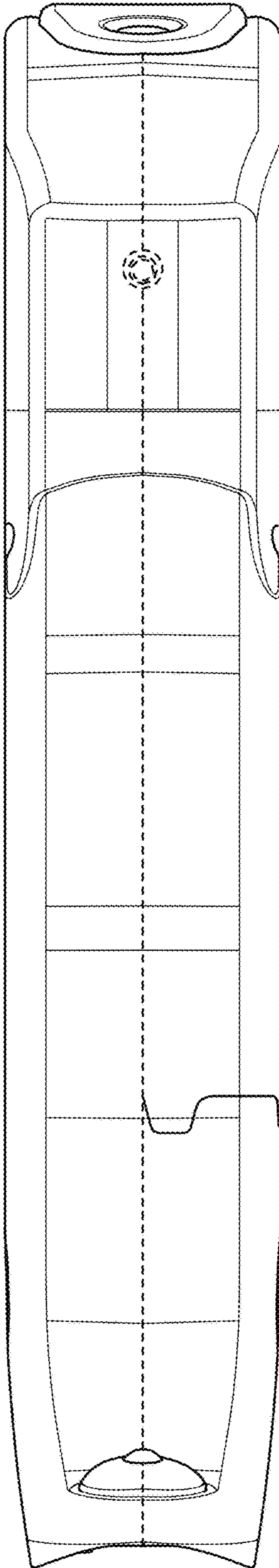


FIG. 7