

US00D802703S

(12) **United States Design Patent** (10) **Patent No.:** **US D802,703 S**
Perales (45) **Date of Patent:** **** Nov. 14, 2017**

(54) **SCOPE MOUNT RING**
(71) Applicant: **WSM Manufacturing, LLC**, Tualatin, OR (US)
(72) Inventor: **Jose Perales**, Brooks, OR (US)
(73) Assignee: **WSM MANUFACTURING, LLC**, Tualatin, OR (US)

D600,312 S * 9/2009 Swan D22/109
D638,089 S * 5/2011 Ding D22/109
D664,233 S * 7/2012 Heidkamp D22/108
D685,052 S * 6/2013 Mok D22/109
D691,237 S * 10/2013 Beckett D22/109
D693,423 S * 11/2013 Beckett D22/108
8,596,504 B2 * 12/2013 Haley, Sr. F41C 23/02
224/149
D698,000 S * 1/2014 Beckett D22/109
D713,921 S * 9/2014 Williams D22/109
(Continued)

(**) Term: **15 Years**

(21) Appl. No.: **29/571,069**

(22) Filed: **Jul. 14, 2016**

(51) **LOC (10) Cl.** **22-01**

(52) **U.S. Cl.**
USPC **D22/109**

(58) **Field of Classification Search**
USPC D22/109, 108, 110; D16/132, 130, 133,
D16/330, 134; 42/111-128, 133;
89/1.61, 200-204
CPC F41G 11/001; F41G 11/003; F41G 11/004;
F41G 1/00; F41G 1/38; F41G 11/005;
F41G 1/16; F41G 1/345
See application file for complete search history.

(56) **References Cited**

U.S. PATENT DOCUMENTS

D212,690 S * 11/1968 Kuharsky D22/110
D226,430 S * 3/1973 Johannsen D22/110
D231,674 S * 5/1974 Jimenez D22/110
D232,633 S * 9/1974 Weast D22/109
D249,538 S * 9/1978 Weast 248/205.1
D259,944 S * 7/1981 Burris 42/124
5,533,267 A * 7/1996 Haight, Jr. F41G 11/002
42/124
D383,826 S * 9/1997 Weigand D22/109
D391,335 S * 2/1998 Bechtel D22/108
D403,393 S * 12/1998 Weast D22/108
D435,284 S * 12/2000 Sutula D22/100
D554,730 S * 11/2007 Coggins D22/110

OTHER PUBLICATIONS

7213M 30mm Low Rings, WarneScopeMounts.com, [online], [site visited Jun. 6, 2017]. <URL: <http://warnescopemounts.com/product/7213m-30mm-low-rings/>>.*

(Continued)

Primary Examiner — T. Chase Nelson
Assistant Examiner — Jonathan J Han
(74) *Attorney, Agent, or Firm* — Bennet K. Langlotz;
Langlotz Patent & Trademark Works, Inc.

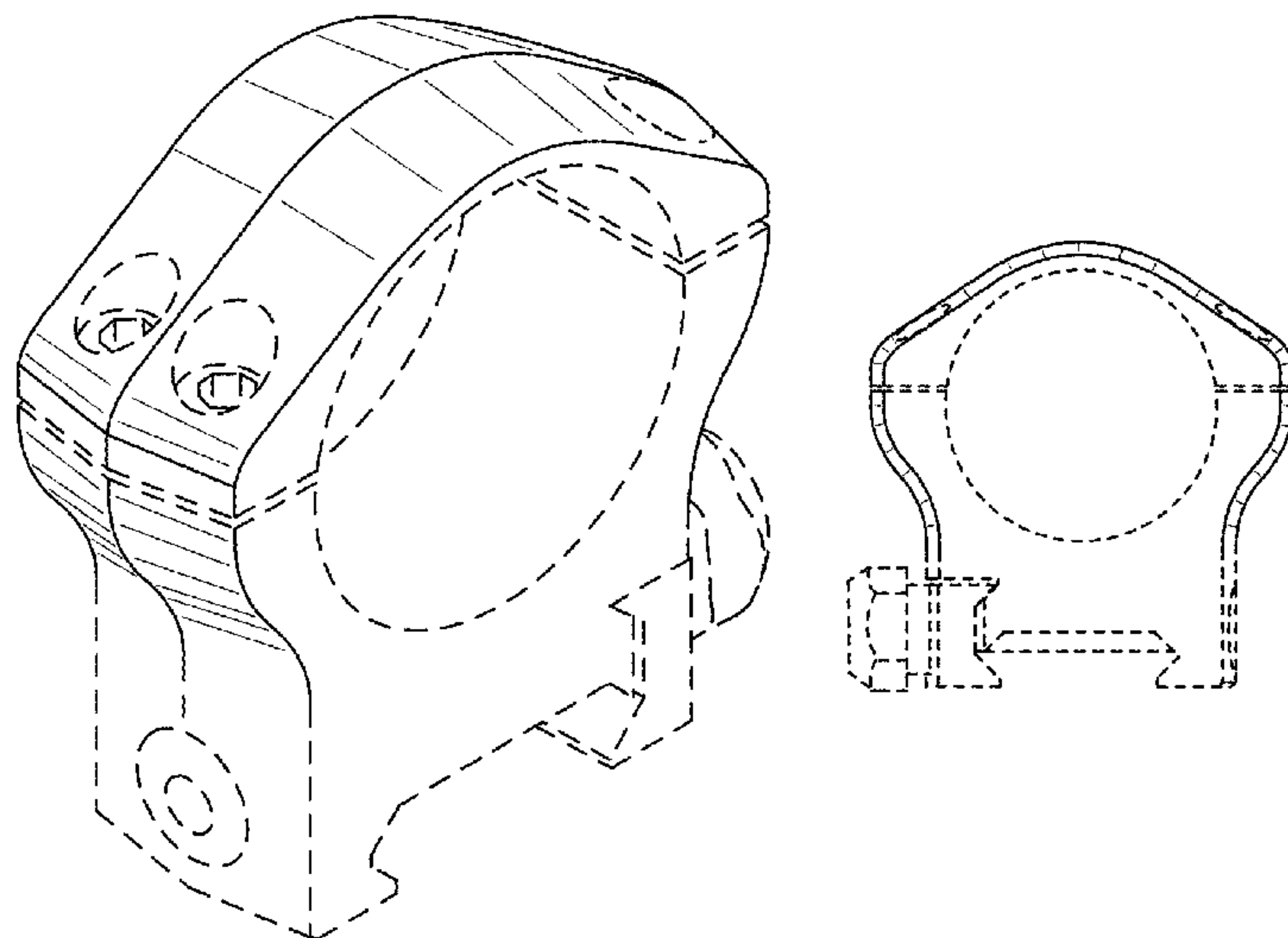
(57) **CLAIM**

The ornamental design for a scope mount ring, as shown and described.

DESCRIPTION

FIG. 1 is a rear perspective view of a scope mount ring showing my (our) new design;
FIG. 2 is a rear elevation view thereof;
FIG. 3 is a front elevation view thereof;
FIG. 4 is a top view thereof;
FIG. 5 is a bottom view thereof;
FIG. 6 is a left elevation view thereof; and,
FIG. 7 is a right elevation view thereof.
The broken lines in the drawings are used to illustrate unclaimed parts of the scope mount ring and form no part of the claimed design.

1 Claim, 2 Drawing Sheets



(56)

References Cited

U.S. PATENT DOCUMENTS

D717,391	S	*	11/2014	Pittman	D22/108
D732,631	S	*	6/2015	Cheng	D22/109
D755,342	S	*	5/2016	Ding	D22/109
D771,218	S	*	11/2016	Ding	D22/109
D777,289	S	*	1/2017	Cheng	D22/109
2004/0148842	A1	*	8/2004	Aalto	F41G 11/006 42/127
2008/0034638	A1	*	2/2008	Spuhr	F41G 11/006 42/127
2013/0283663	A1	*	10/2013	Joplin	F41G 11/003 42/124

OTHER PUBLICATIONS

Warne Mountain Tech Mounting System, ShootingIllustrated.com, by SI Staff—Friday, Oct. 14, 2016, [online], [site visited Jun. 6,

2017]. <URL: <https://www.shootingillustrated.com/articles/2016/10/14/warne-mountain-tech-mounting-system/>>.*

Talley Lightweight 2-Piece 20 MOA Scope Mounts with Integral Rings Remington 700 Matte, MidwayUSA.com, [online], [site visited Jun. 6, 2017]. <URL: <http://www.midwayusa.com/product/1781381814/talley-lightweight-2-piece-20-moa-scope-mounts-with-integral-rings-remington-700-matte>>.*

Browning 2-Piece Scope Mount with Integral 1" Rings Browning AB3 Medium, MidwayUSA.com, [online], [site visited Jun. 6, 2017]. <URL: <http://www.midwayusa.com/product/1524397101/browning-2-piece-scope-mount-with-integral-1-rings-browning-ab3-medium>>.*

Hawke Match 1 inch 25mm High Weaver Base Scope Mount Rings—22114, TacticalScope.co.uk, [online], [site visited Jun. 6, 2017]. <URL: <http://www.tacticalscope.co.uk/hawke-match-1-inch-25mm-high-weaver-base-scope-mount-rings---22114-2551-p.asp>>.*

* cited by examiner

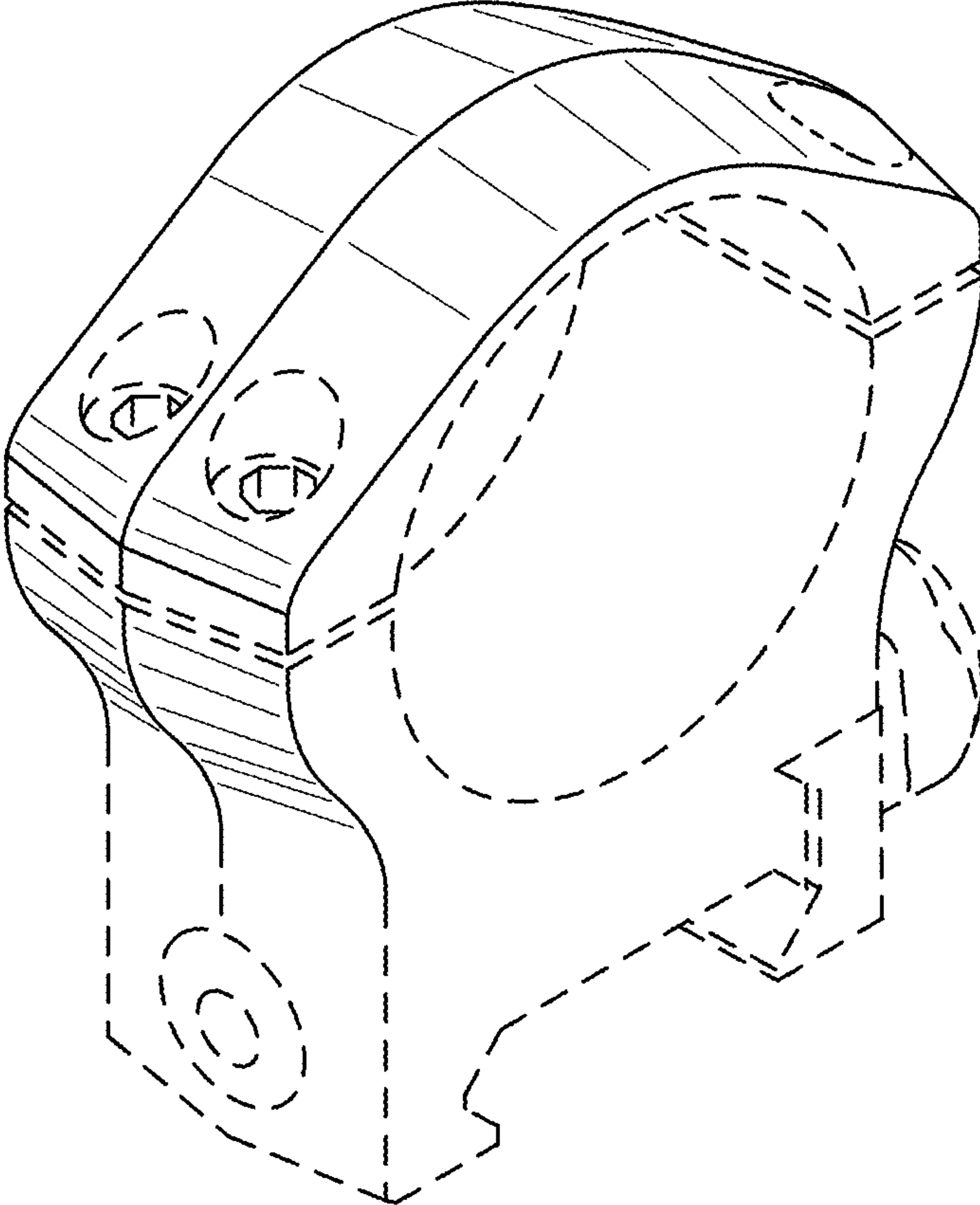


FIG. 1

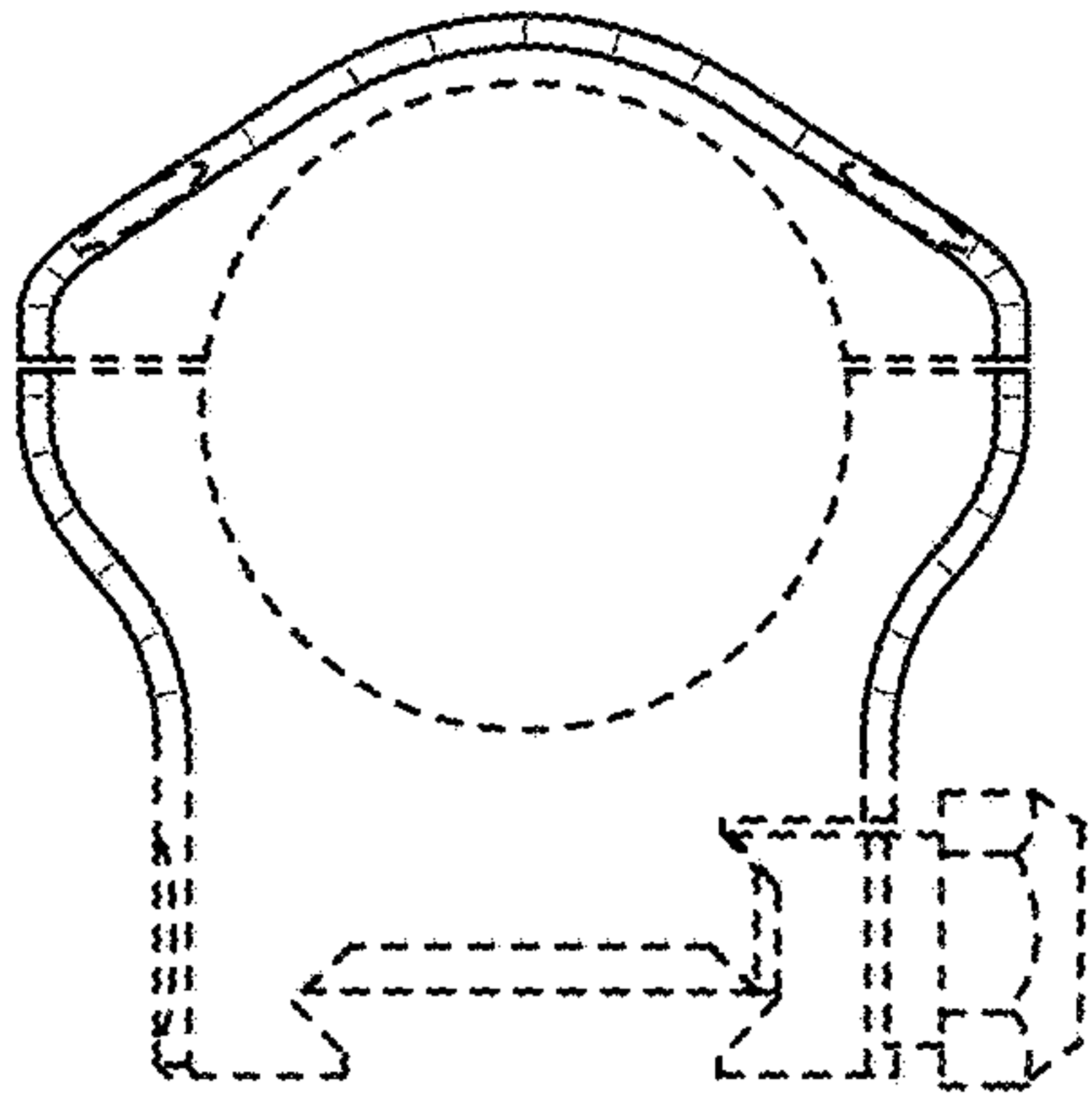


FIG. 2

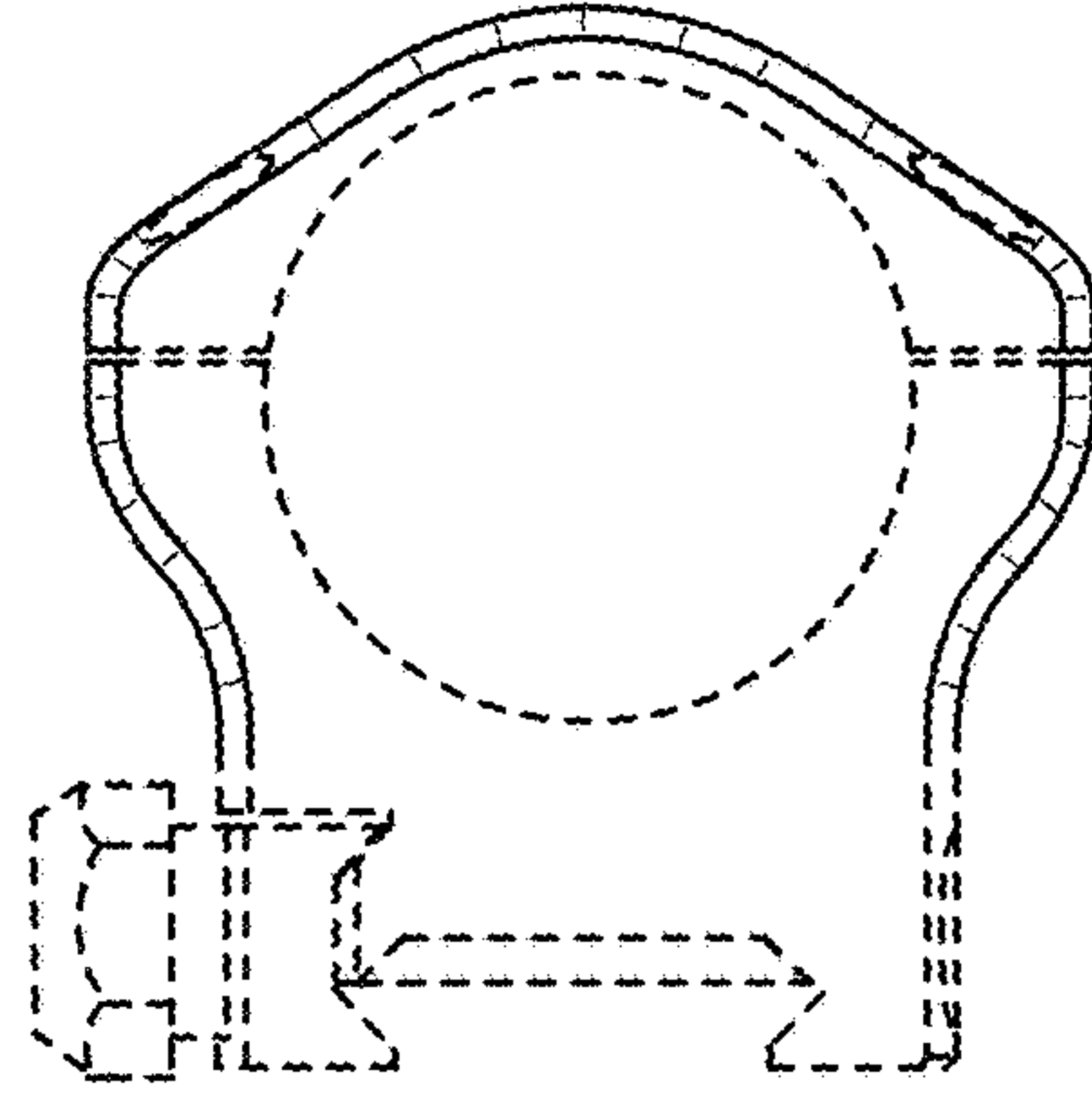


FIG. 3

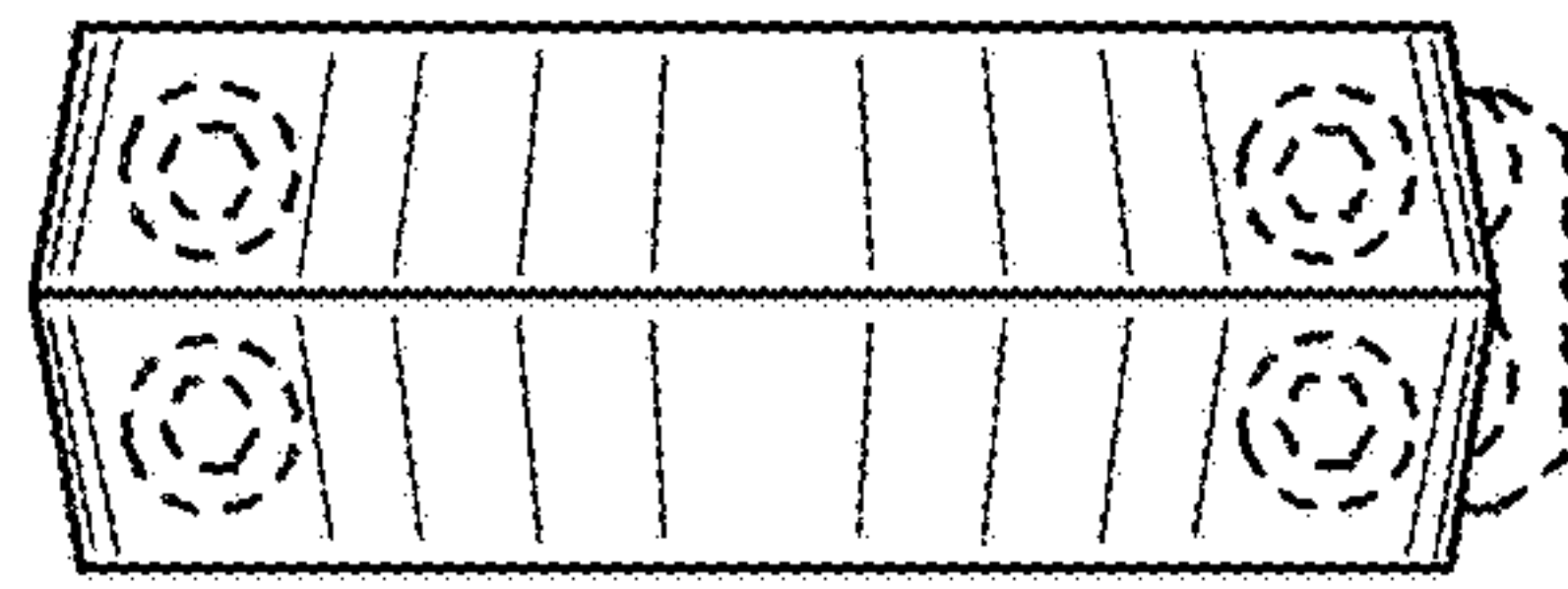


FIG. 4

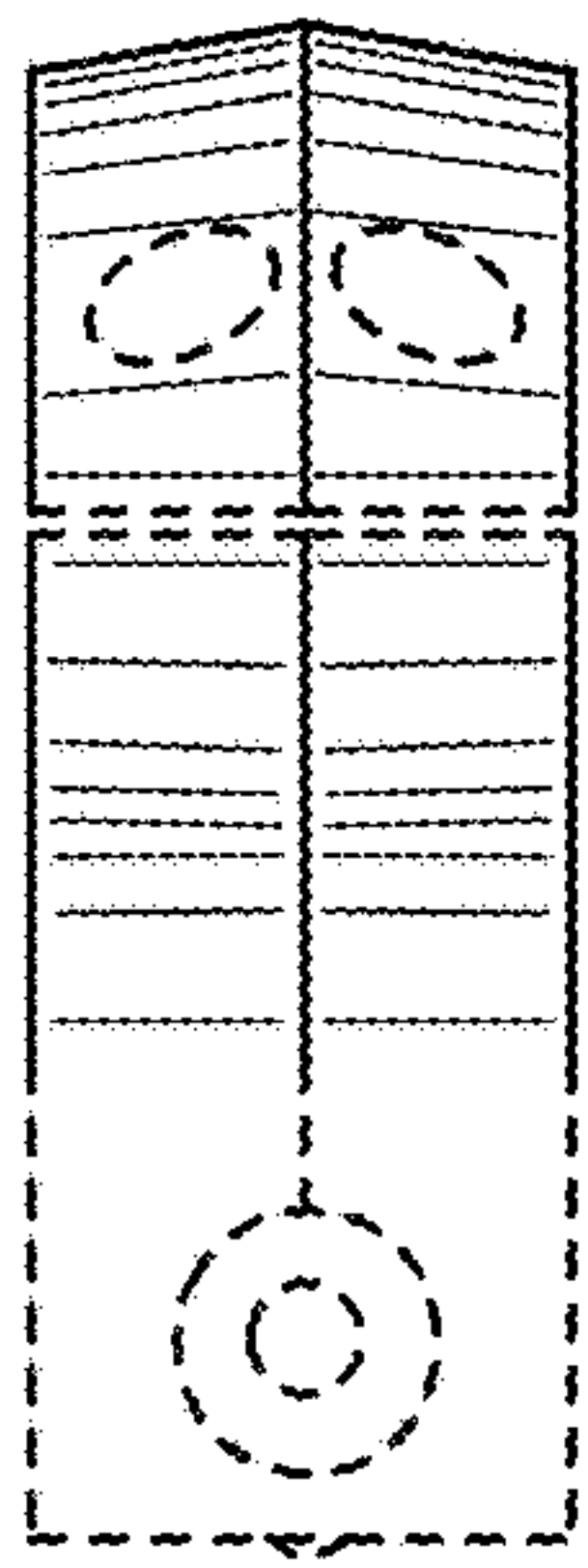


FIG. 6

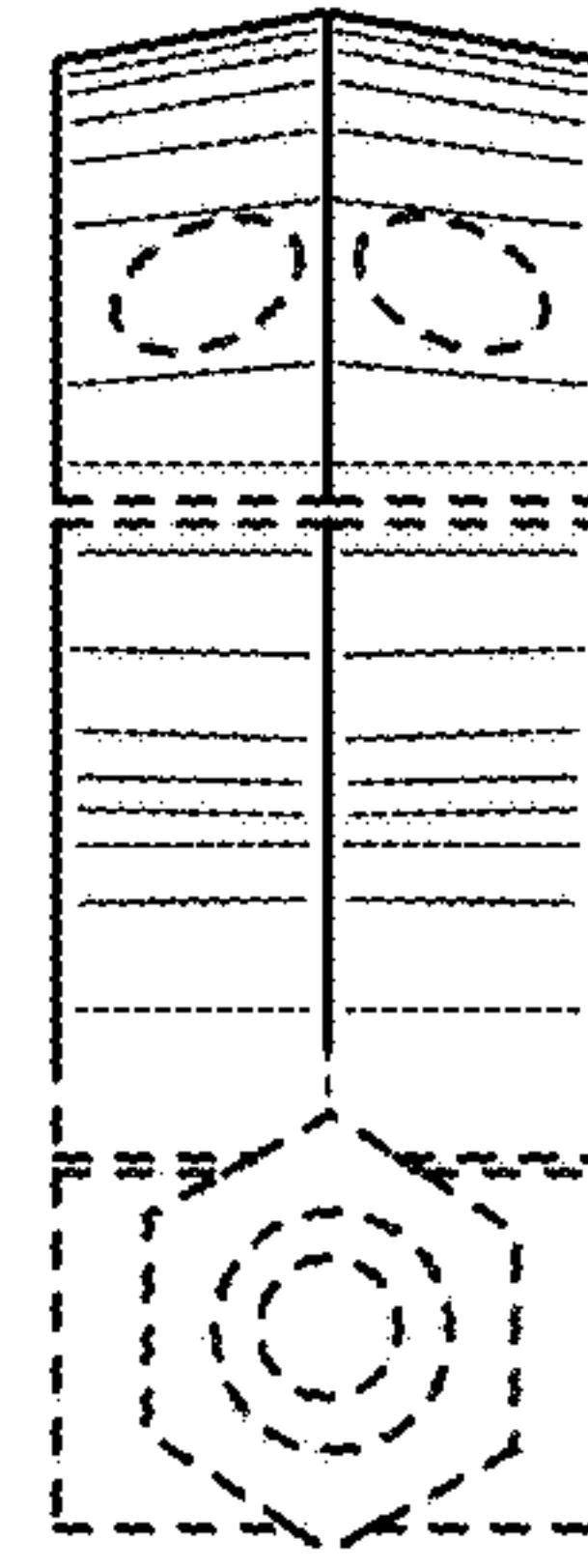


FIG. 7

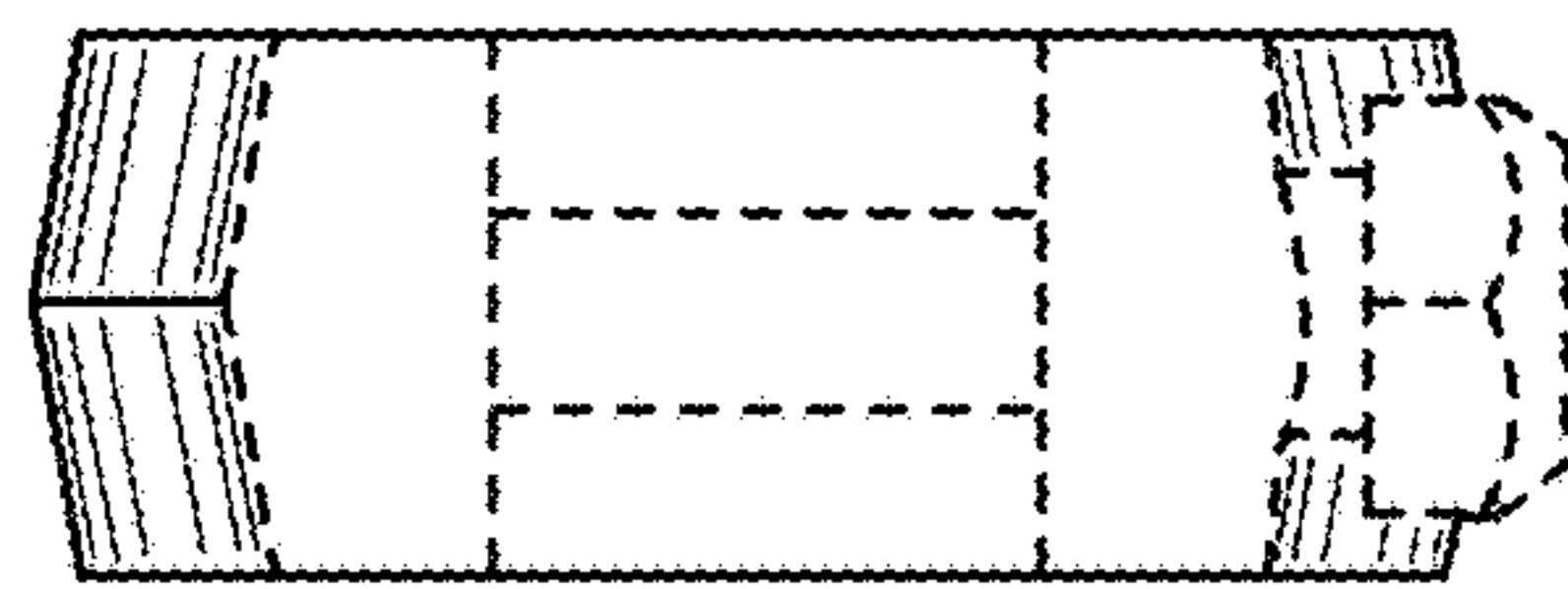


FIG. 5