



US00D802702S

(12) **United States Design Patent**
Zhang

(10) **Patent No.:** **US D802,702 S**

(45) **Date of Patent:** **** Nov. 14, 2017**

(54) **SCOPE RETICLE**

(71) Applicant: **Jing Zhang**, Houston, TX (US)

(72) Inventor: **Jing Zhang**, Houston, TX (US)

(**) Term: **15 Years**

(21) Appl. No.: **29/570,051**

(22) Filed: **Jul. 4, 2016**

(51) **LOC (10) Cl.** **22-01**

(52) **U.S. Cl.**
USPC **D22/109**

(58) **Field of Classification Search**
USPC D22/109; 359/424, 428; 89/19, 161,
89/200-204; 235/414; 42/111, 113, 122,
42/124, 130, 134, 135; 33/227, 297, 298,
33/299; 356/21, 138, 139, 139.1, 139.02;
D16/130-135; D14/404; 250/467.1
See application file for complete search history.

(56) **References Cited**

U.S. PATENT DOCUMENTS

2,171,571	A *	9/1939	Karnes	G02B 27/34 42/123
5,920,995	A *	7/1999	Sammut	F41G 1/38 42/122
D530,776	S *	10/2006	LaCorte	D22/108
D532,477	S *	11/2006	Zaderey	D16/130
D536,762	S *	2/2007	Timm	D22/109
D544,511	S *	6/2007	Geurts	D16/130
D567,324	S *	4/2008	Pride	D22/109
D567,325	S *	4/2008	Pride	D22/109
D567,326	S *	4/2008	Pride	D22/109
D609,769	S *	2/2010	Lacorte	D22/109
D613,362	S *	4/2010	Huber	D22/108
D613,363	S *	4/2010	Huber	D22/109
D630,291	S *	1/2011	Pride	D22/109
D631,125	S *	1/2011	Huber	D22/109
D632,754	S *	2/2011	Pride	D22/109

7,877,886	B1 *	2/2011	Hamilton	F41G 1/12 33/297
D651,682	S *	1/2012	Beckett	D22/109
D654,136	S *	2/2012	Huber	D22/109
D715,394	S *	10/2014	Young	D22/109
D715,395	S *	10/2014	Young	D22/109
D733,248	S *	6/2015	Moyle	D22/109
9,068,799	B1 *	6/2015	Wu	F41G 1/38
9,121,671	B2 *	9/2015	Everett	F41G 1/30
D741,445	S *	10/2015	Pride	D22/109
D745,168	S *	12/2015	White	F41G 1/38 D24/172
D755,269	S *	5/2016	Pride	D16/130
D760,340	S *	6/2016	Goess	D22/109
D767,659	S *	9/2016	Mikroulis	D16/134
D767,661	S *	9/2016	Mikroulis	D16/134
D768,221	S *	10/2016	Mikroulis	D16/134

(Continued)

OTHER PUBLICATIONS

Optics Buying Guide: Scope Reticles, GunsAmerica.com, by Tom McHale on May 13, 2016, [online], [site visited Apr. 20, 2017].
<URL: <https://www.gunsamerica.com/blog/optics-buying-guide-scope-reticles/>>.*

(Continued)

Primary Examiner — T. Chase Nelson
Assistant Examiner — Jonathan J Han

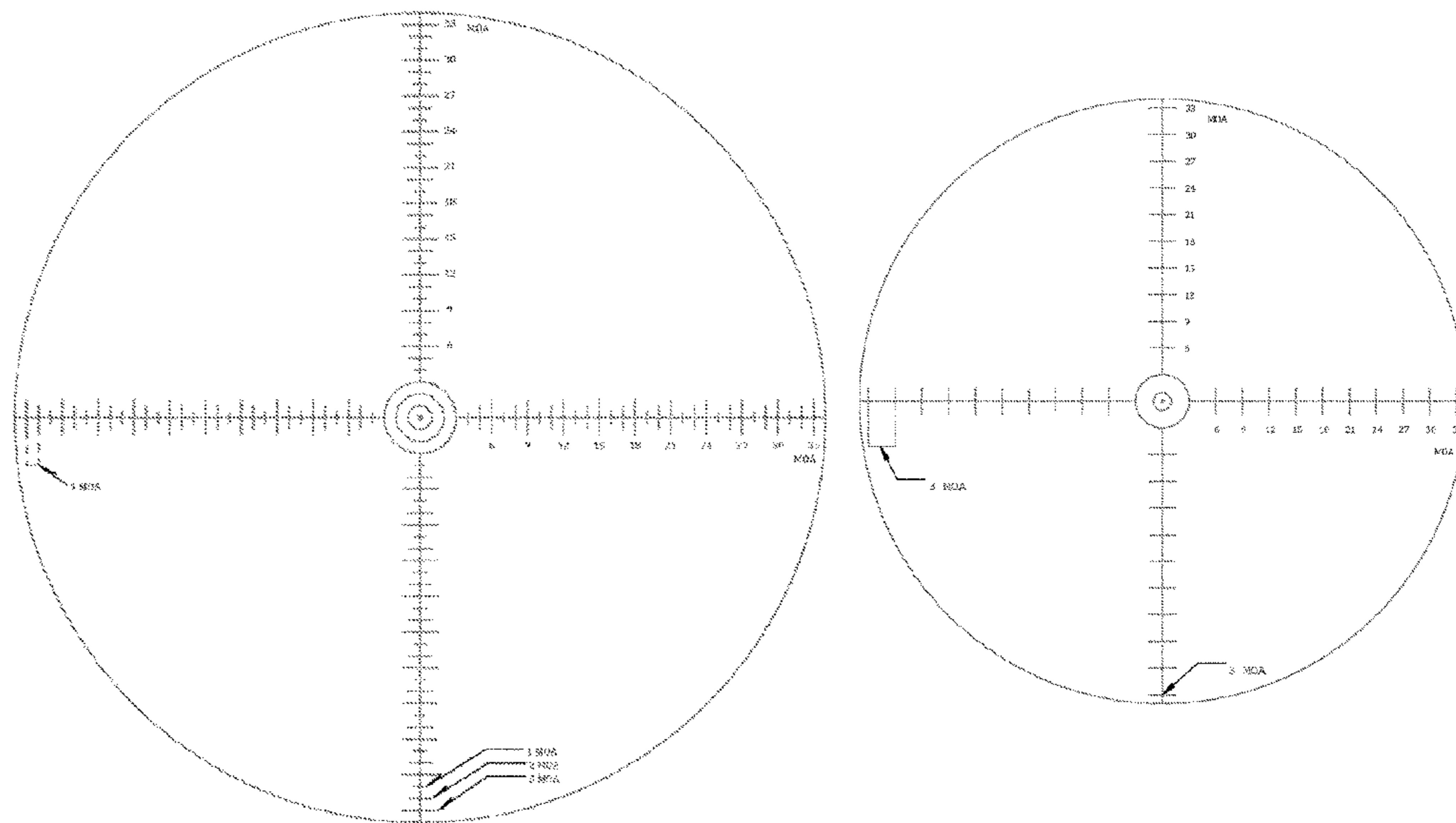
(57) **CLAIM**

The ornamental design for a scope reticle, as shown and described.

DESCRIPTION

FIG. 1 shows a perspective view of the scope reticle with three scale indicators (1, 2 and 3 MOA); and, FIG. 2 shows a perspective view of the scope reticle with one scale indicator (3 MOA).

1 Claim, 2 Drawing Sheets



(56)

References Cited

U.S. PATENT DOCUMENTS

D781,989	S *	3/2017	Pride	D16/136
2005/0229468	A1 *	10/2005	Zaderey	F41G 1/38 42/122
2011/0132983	A1 *	6/2011	Sammut	F41G 1/38 235/404
2013/0170027	A1 *	7/2013	Peters	G02B 23/10 359/428
2014/0059915	A1 *	3/2014	Sammut	F41G 1/38 42/122
2014/0123531	A1 *	5/2014	Hancosky	F41G 1/54 42/113

OTHER PUBLICATIONS

Long-Range MOA, BurrisOptics.com, [online], [site visited Apr. 20, 2017]. <URL: <http://www.burrisoptics.com/reticles/long-range-moa>>.*

SCR MOA, BurrisOptics.com, [online], [site visited Apr. 20, 2017]. <URL: <http://www.burrisoptics.com/reticles/scr-moa>>.*

US Optics MDMOA GAP MOA Scope Reticle, PrecisionRifleBlog.com, Jul. 31, 2014, Cal Zant, [online], [site visited Apr. 20, 2017]. <URL: <http://precisionrifleblog.com/us-optics-mdmoa-gap-moa-scope-reticle/>>.*

US Optics RDP Mil MOA Scope Reticle, PrecisionRifleBlog.com, Jul. 31, 2014, Cal Zant, [online], [site visited Apr. 20, 2017]. <URL: <http://precisionrifleblog.com/us-optics-rdp-mil-moa-scope-reticle/>>.*

New Tactical Minute of Angle Reticle, SniperForums.com, kgunz11, Nov. 21, 2005, 09:31 PM, [online], [site visited Apr. 20, 2017]. <URL: <http://www.sniperforums.com/forum/optics/3324-new-tactical-minute-angle-reticle.html>>.*

Leupold Mark 6 1-6x20mm (34mm) M6C1 Riflescopes, BrandonOptics.com, [online], [site visited Apr. 20, 2017]. <URL: http://www.brandonoptics.com/Leupold-Mark-6-1-6x20mm-34mm-M6C1-Riflescopes_p_1425.html>.*

Vortex Viper PST 6-24x50 FFP Rifle Scope, EBR-1 MRAD Reticle (PST-624F1-M), WebyShops.com, [online], [site visited Apr. 20, 2017]. <URL: <http://www.webyshops.com/brand/Vortex-Viper-PST-Riflescopes-brand/VORTEX-Viper-PST-6-24x50-FFP-Riflescope-EBR-1-MRAD-Reticle-Pst-624F1-M.html>>.*

What is the most accurate type of reticle (crosshair)?, Quora.com, Matthew Moore, Written Oct. 27, 2016, [online], [site visited Apr. 24, 2017]. <URL: <https://www.quora.com/What-is-the-most-accurate-type-of-reticle-crosshair>>.*

Thread: Crosshairs for A.V.A, CrossHairs That I Will Add Soon:, MPGH.net, Last edited by Mohaimen Hassan; Aug. 15, 2012 at 05:15 AM, [online], [site visited Apr. 24, 2017]. <URL: <http://www.mpg.net/forum/showthread.php?t=497438>>.*

* cited by examiner

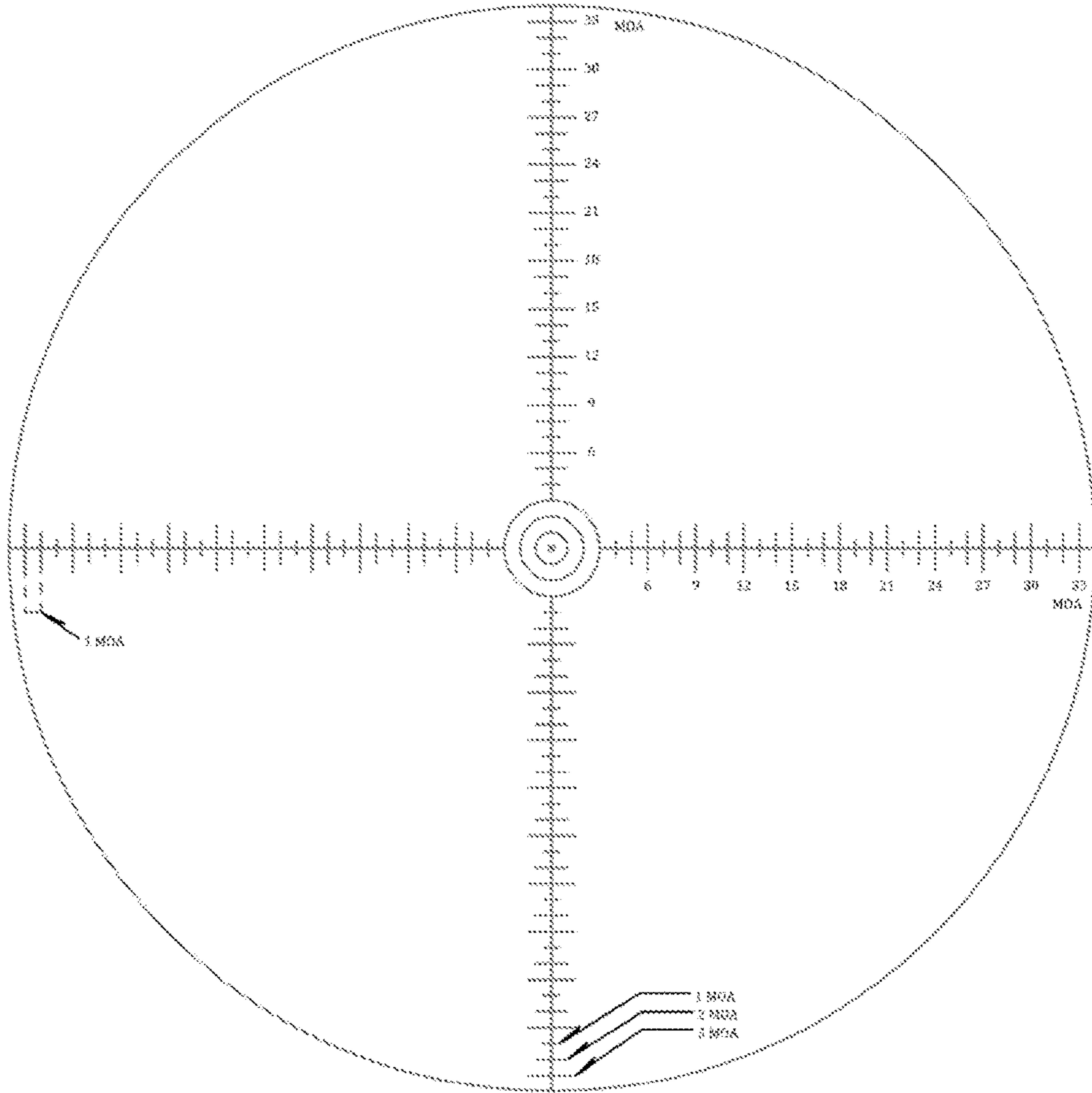


FIG. 1

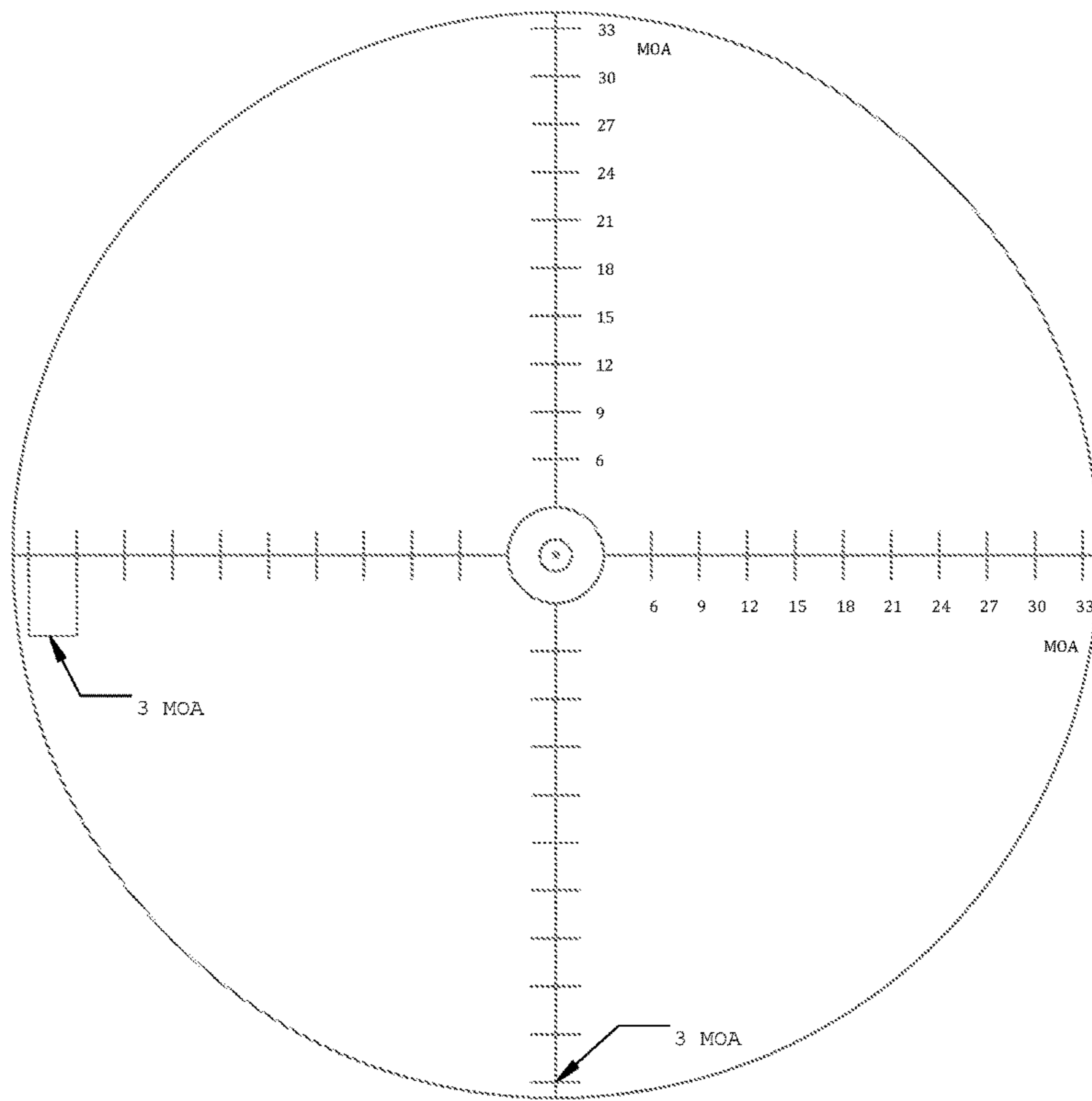


Fig 2