



US00D802701S

(12) **United States Design Patent** (10) **Patent No.:** **US D802,701 S**
Findlay et al. (45) **Date of Patent:** **** Nov. 14, 2017**

(54) **RIFLE STOCK**

(71) Applicant: **Smith & Wesson Corp.**, Springfield, MA (US)

(72) Inventors: **David S. Findlay**, Athol, MA (US);
Frank Gillette, Liverpool, NY (US)

(73) Assignee: **Smith & Wesson Corp.**, Springfield, MA (US)

(**) Term: **15 Years**

(21) Appl. No.: **29/576,089**

(22) Filed: **Aug. 31, 2016**

Related U.S. Application Data

(62) Division of application No. 29/536,058, filed on Aug. 13, 2015, now Pat. No. Des. 779,619.

(51) **LOC (10) Cl.** **22-01**

(52) **U.S. Cl.**
USPC **D22/108**

(58) **Field of Classification Search**
USPC D21/572, 573, 576; D22/103, 108, 199;
D8/89, 107, 303
CPC F41C 23/04; F41C 23/06; F41C 23/14;
F41C 23/22; F41C 33/007
See application file for complete search history.

(56) **References Cited**

U.S. PATENT DOCUMENTS

D242,984 S *	1/1977	Petty	D8/303
D295,545 S	5/1988	Bell	
D297,855 S *	9/1988	Ruger	D22/103
D304,223 S *	10/1989	Ruger	D22/103
D324,473 S *	3/1992	Chen	D8/80
D381,887 S *	8/1997	Chen	D8/300
D399,282 S *	10/1998	Jarrett	D21/756
D424,399 S *	5/2000	Staton	D8/107
D476,392 S	6/2003	McGarry et al.	

(Continued)

Primary Examiner — Karen S Acker

Assistant Examiner — Steven B Reinholdt, Jr.

(74) *Attorney, Agent, or Firm* — John A. Chionchio, Esquire; Ballard Spahr LLP

(57) **CLAIM**

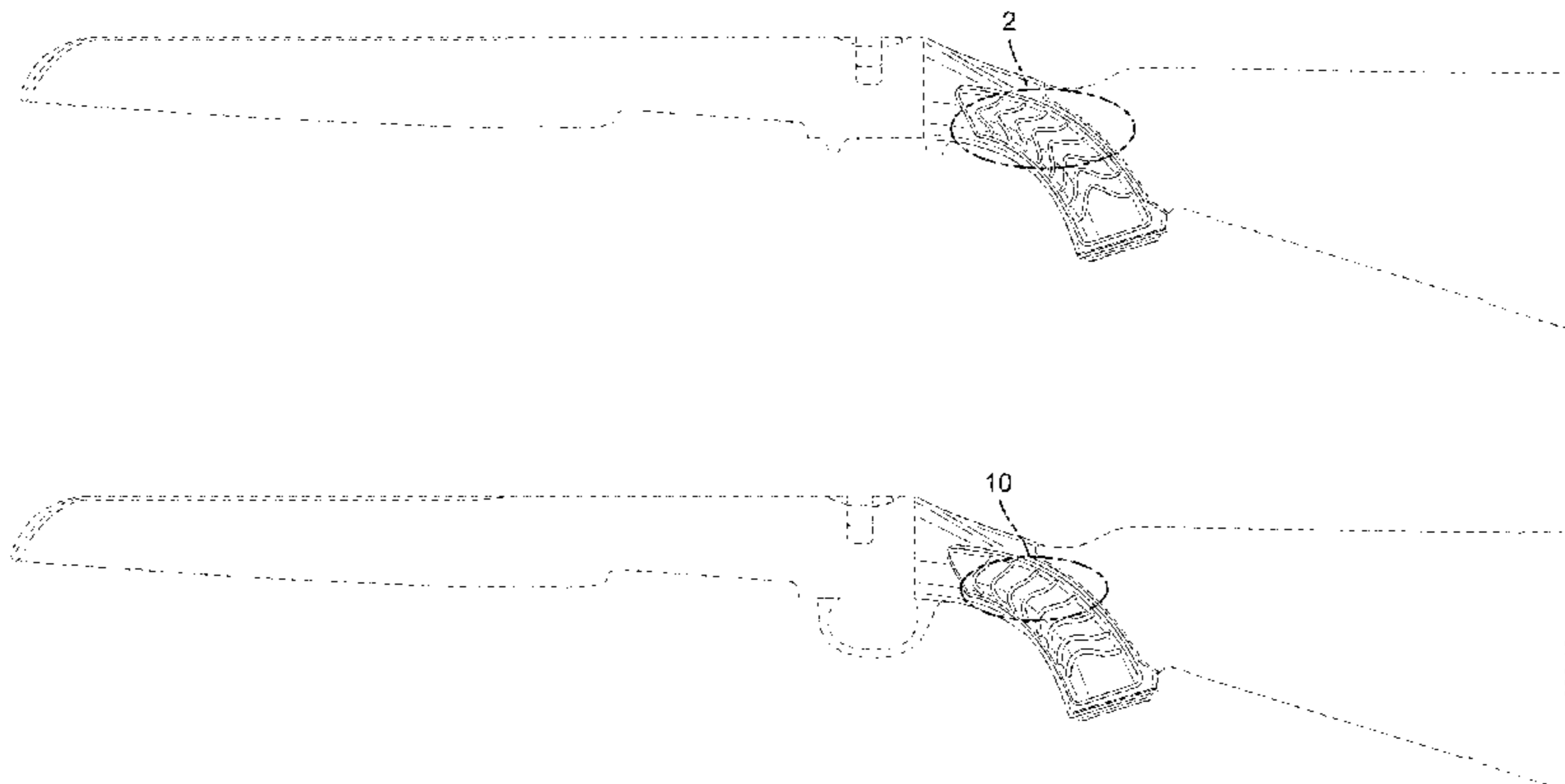
We claim the ornamental design for a rifle stock, as shown and described.

DESCRIPTION

FIG. 1 is a left side view of an embodiment of our design for a rifle stock having gripping projections;
 FIG. 2 is a magnified view of area 2 circumscribed within FIG. 1;
 FIG. 3 is a right side view of the rifle stock shown in FIG. 1;
 FIG. 4 is a magnified view of area 4 circumscribed within FIG. 3;
 FIG. 5 is a top view of the rifle stock shown in FIG. 1;
 FIG. 6 is a bottom view thereof;
 FIG. 7 is a back view thereof;
 FIG. 8 is a front view thereof;
 FIG. 9 is a left side view of a second embodiment of our design for a rifle stock having gripping projections;
 FIG. 10 is a magnified view of area 10 circumscribed within FIG. 9;
 FIG. 11 is a right side view of the rifle stock shown in FIG. 9;
 FIG. 12 is a magnified view of area 12 circumscribed within FIG. 11;
 FIG. 13 is a top view of the rifle stock shown in FIG. 9;
 FIG. 14 is a bottom view thereof;
 FIG. 15 is a back view thereof; and,
 FIG. 16 is front view thereof.

The broken lines illustrate portions of the rifle stock that form no part of the claimed design. The dot-dash-dot broken lines depict the boundaries of the magnified views and form no part of the claimed design.

1 Claim, 14 Drawing Sheets



(56)

References Cited

U.S. PATENT DOCUMENTS

D518,351 S * 4/2006 Hay D8/1
D581,766 S * 12/2008 Heneen D8/107
D605,006 S * 12/2009 Shiao D8/107
D618,980 S * 7/2010 Wang D8/107
D618,981 S * 7/2010 Gringer D32/41
D651,274 S * 12/2011 Moretti D22/103
D654,341 S * 2/2012 Hantke D8/89
8,151,504 B1 * 4/2012 Aiston F41C 23/10
42/71.01
D661,569 S * 6/2012 Chen D8/107
D679,356 S * 4/2013 Klotz D22/103
D712,498 S 9/2014 DuPlooy
D723,644 S * 3/2015 Alis D22/103
D748,217 S 1/2016 Kera
D779,619 S * 2/2017 Findlay D22/103
D781,391 S * 3/2017 Findlay D22/108

* cited by examiner

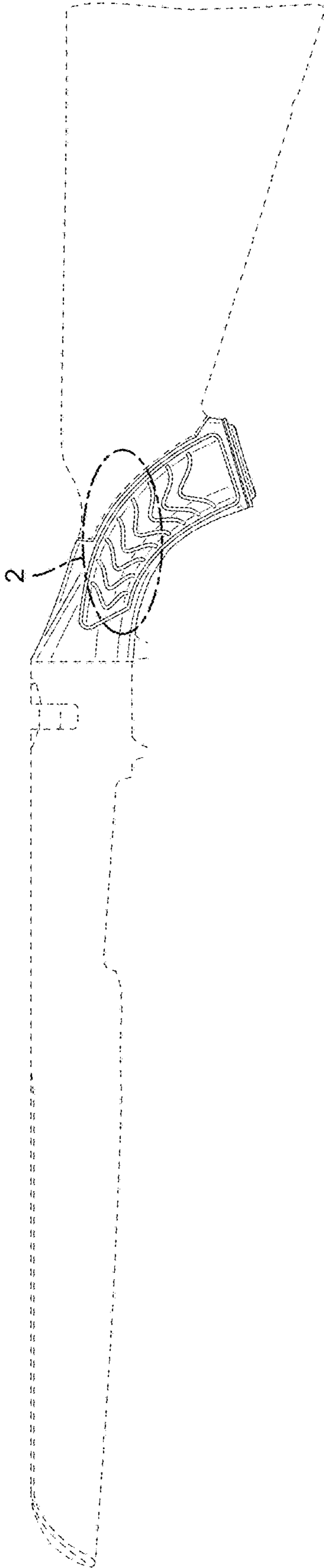


FIG. 1

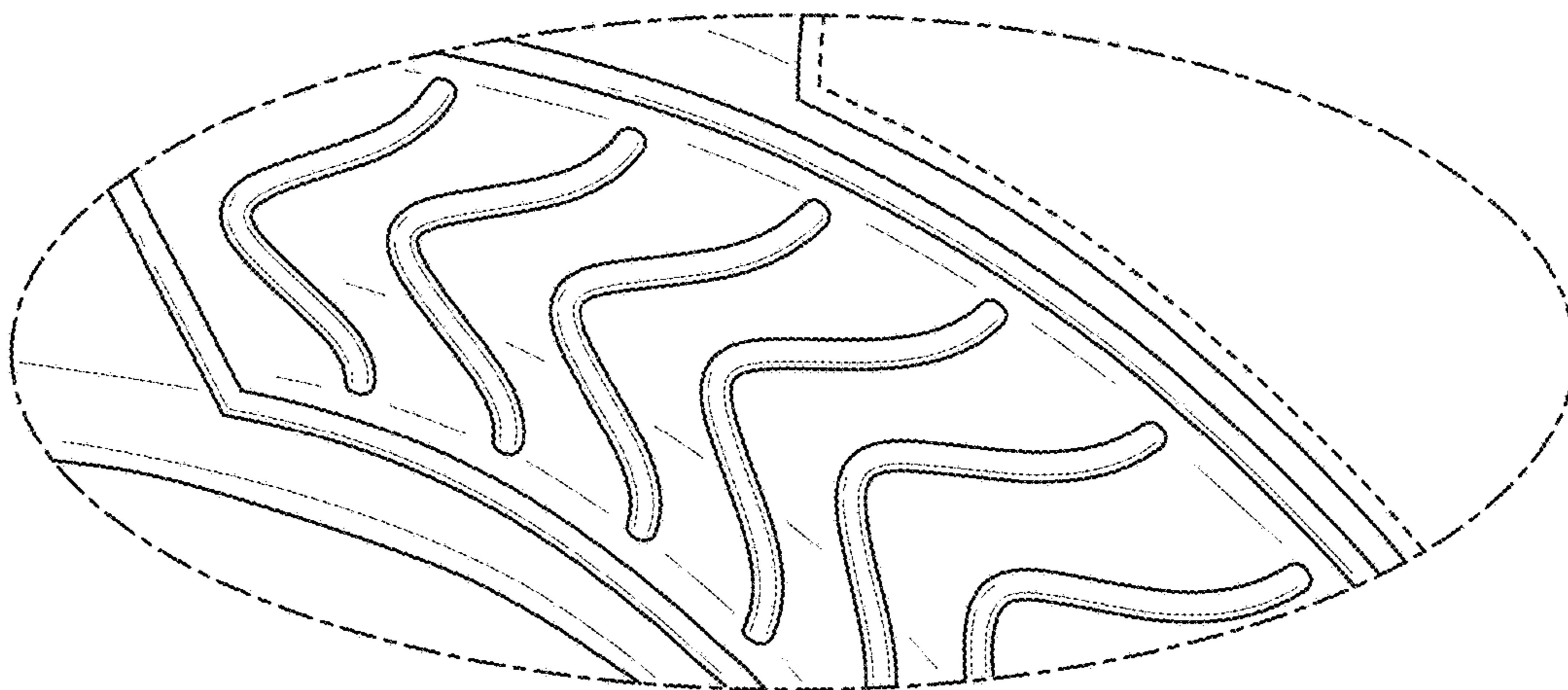


FIG. 2

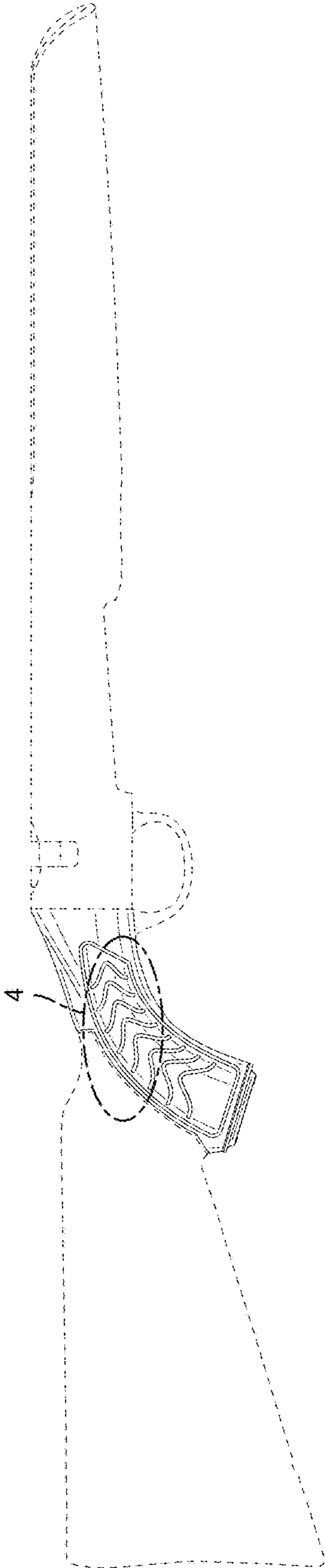


FIG. 3

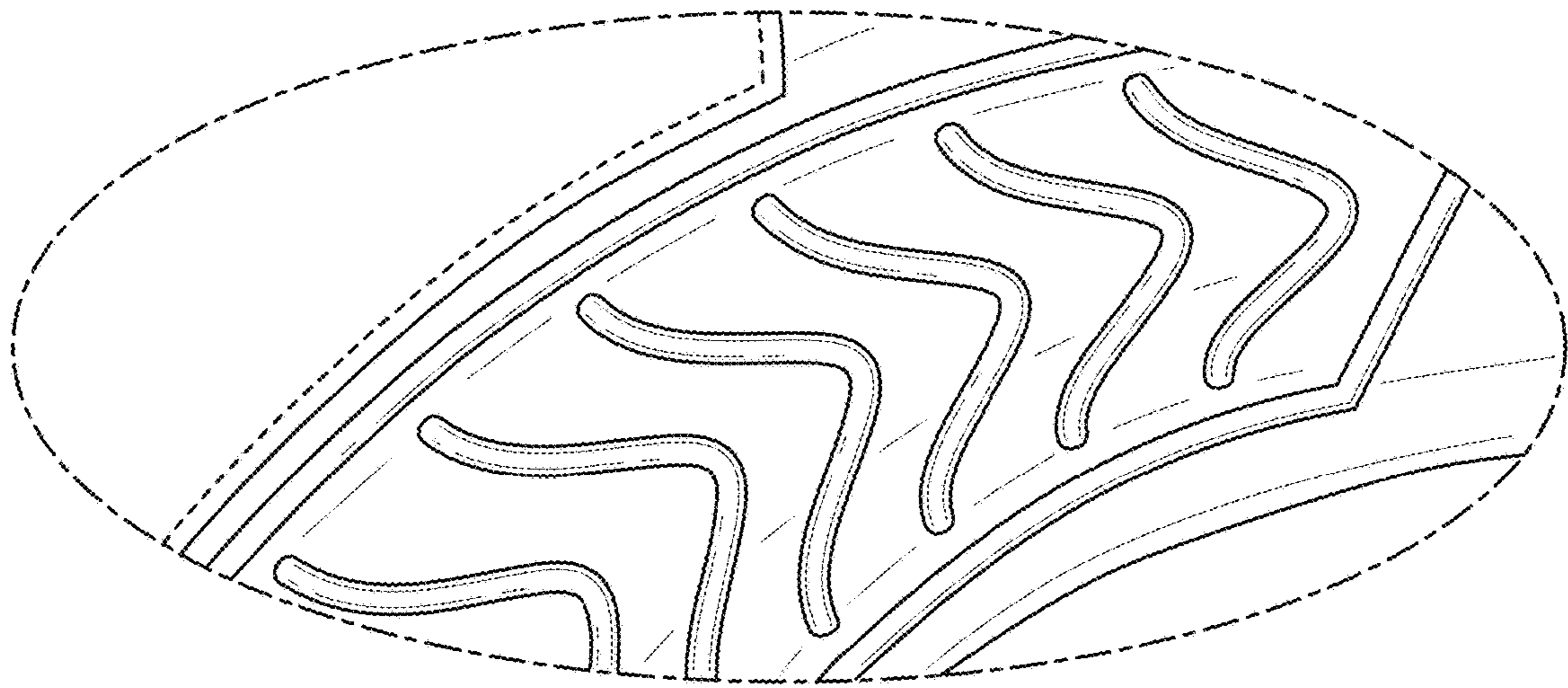


FIG. 4

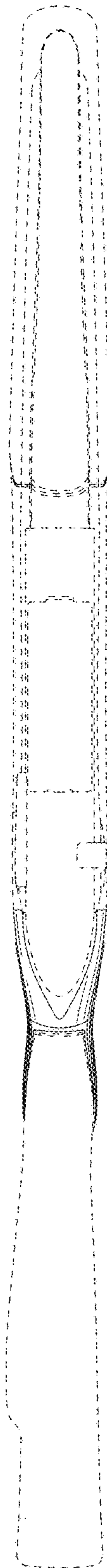


FIG. 5



FIG. 6

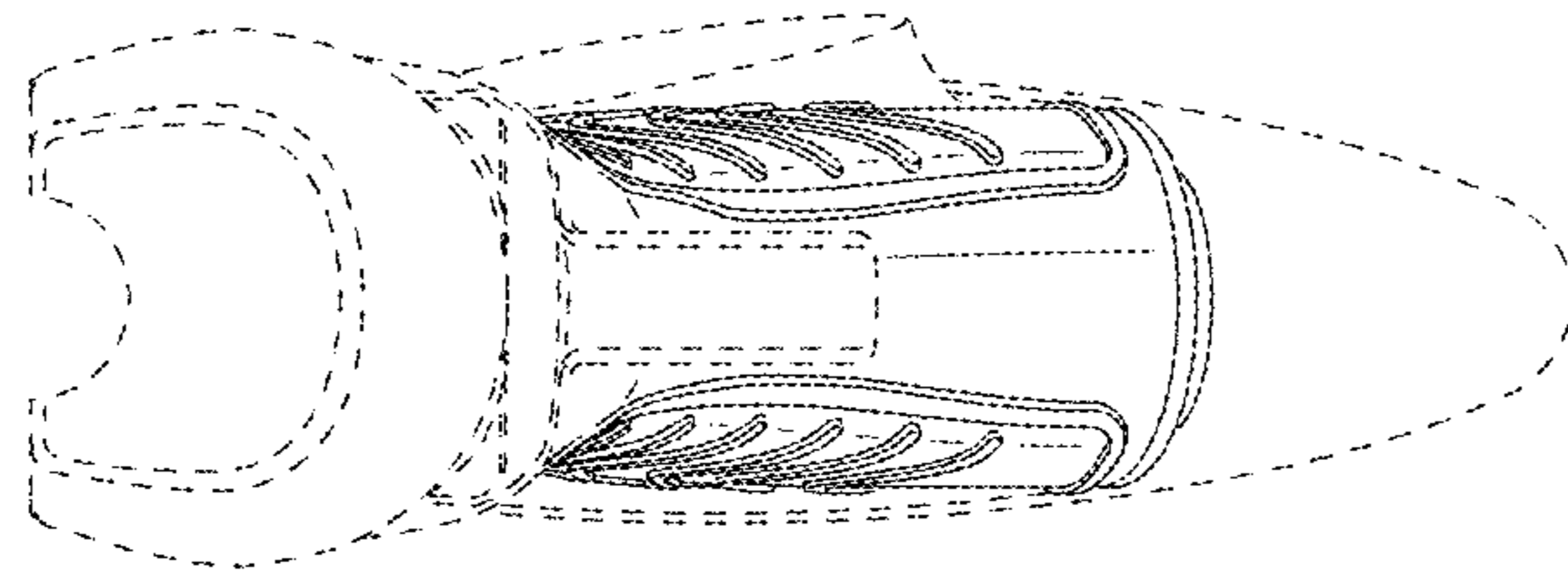


FIG. 8

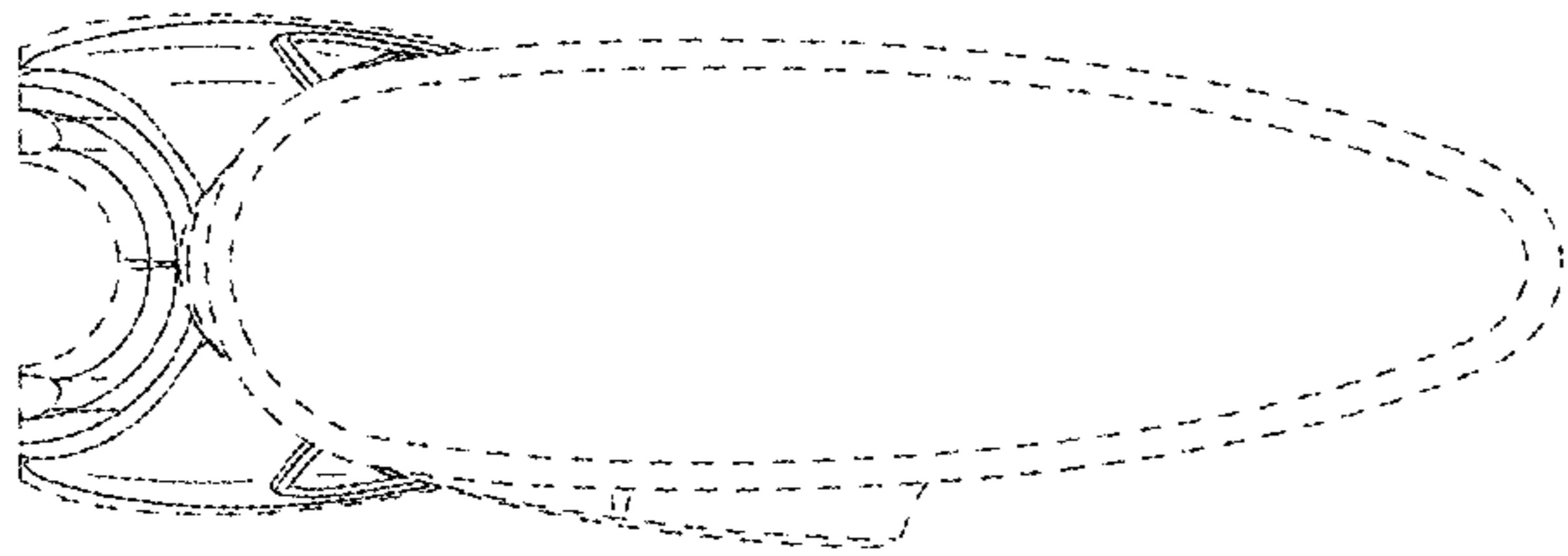


FIG. 7

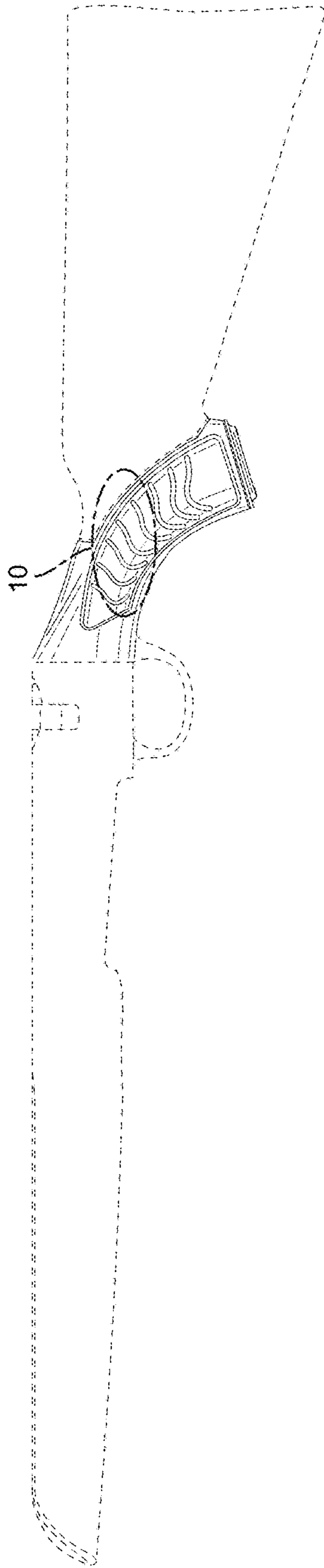


FIG. 9

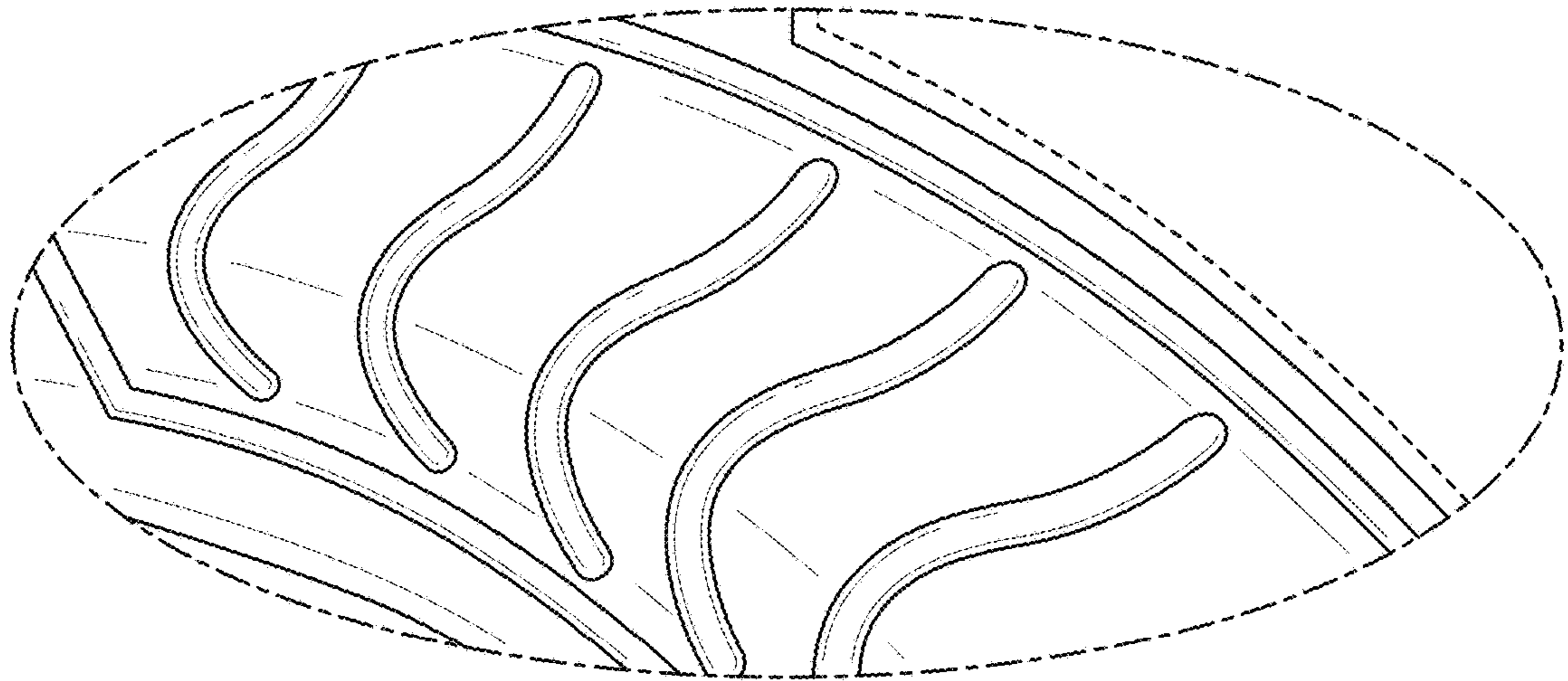


FIG. 10

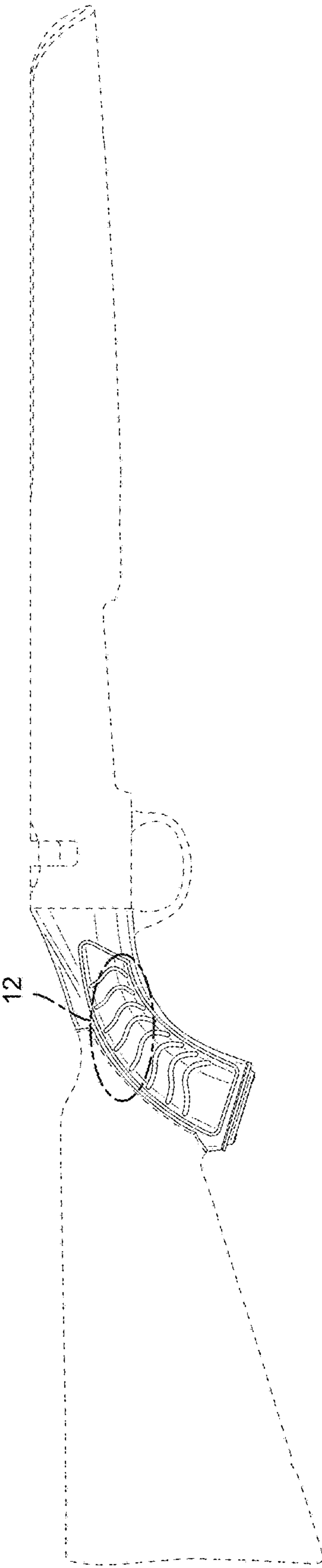


FIG. 11

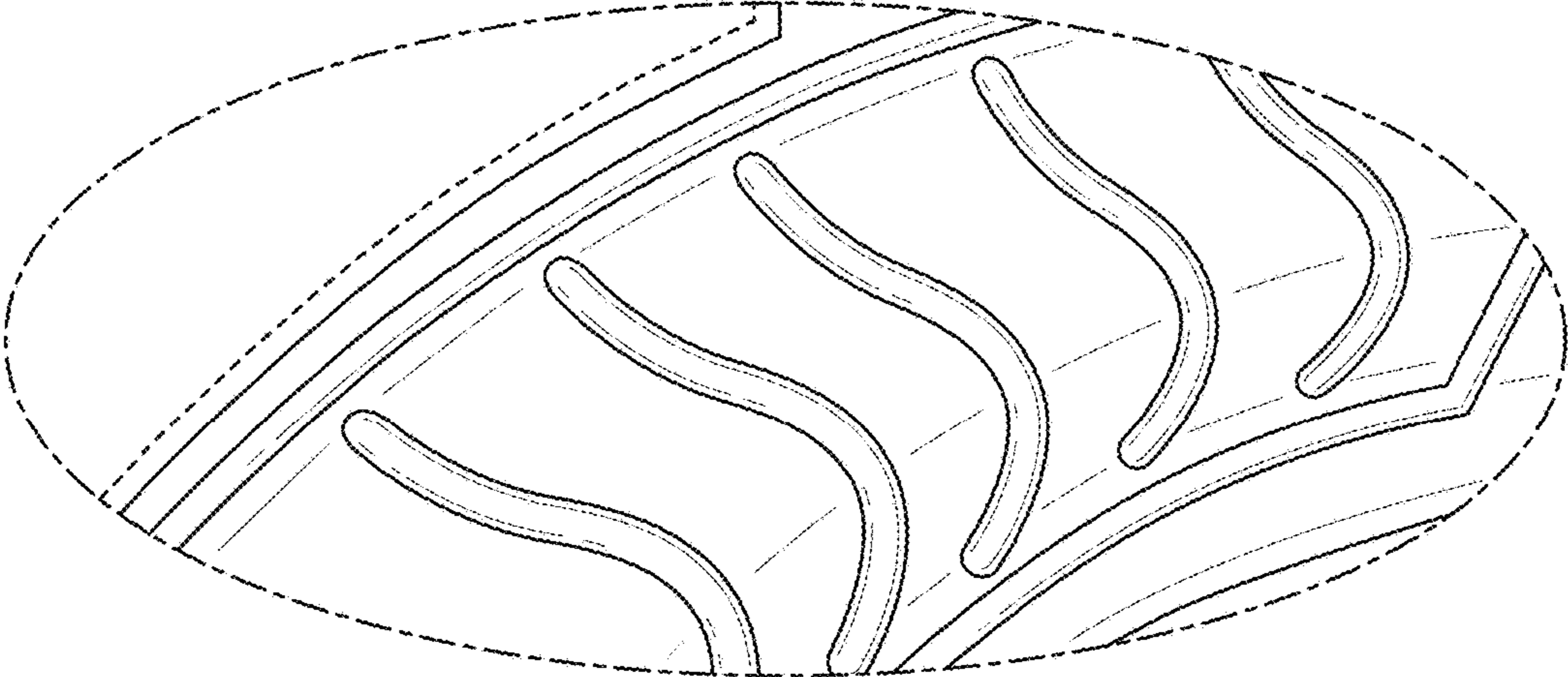


FIG. 12



FIG. 13

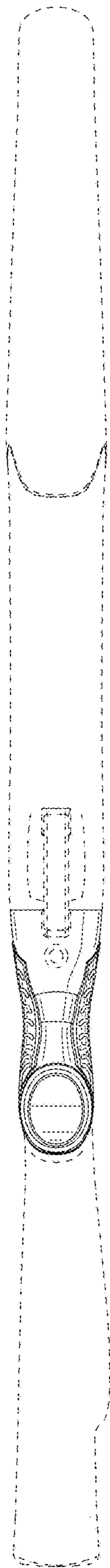


FIG. 14

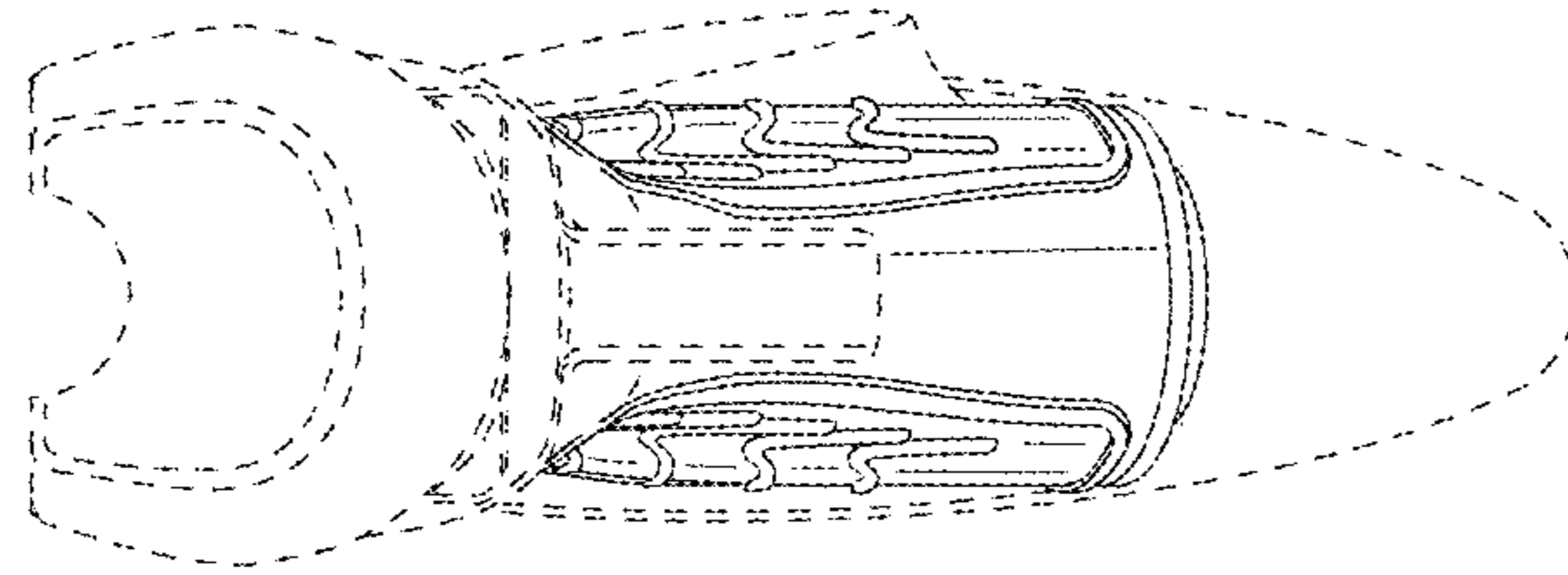


FIG. 16

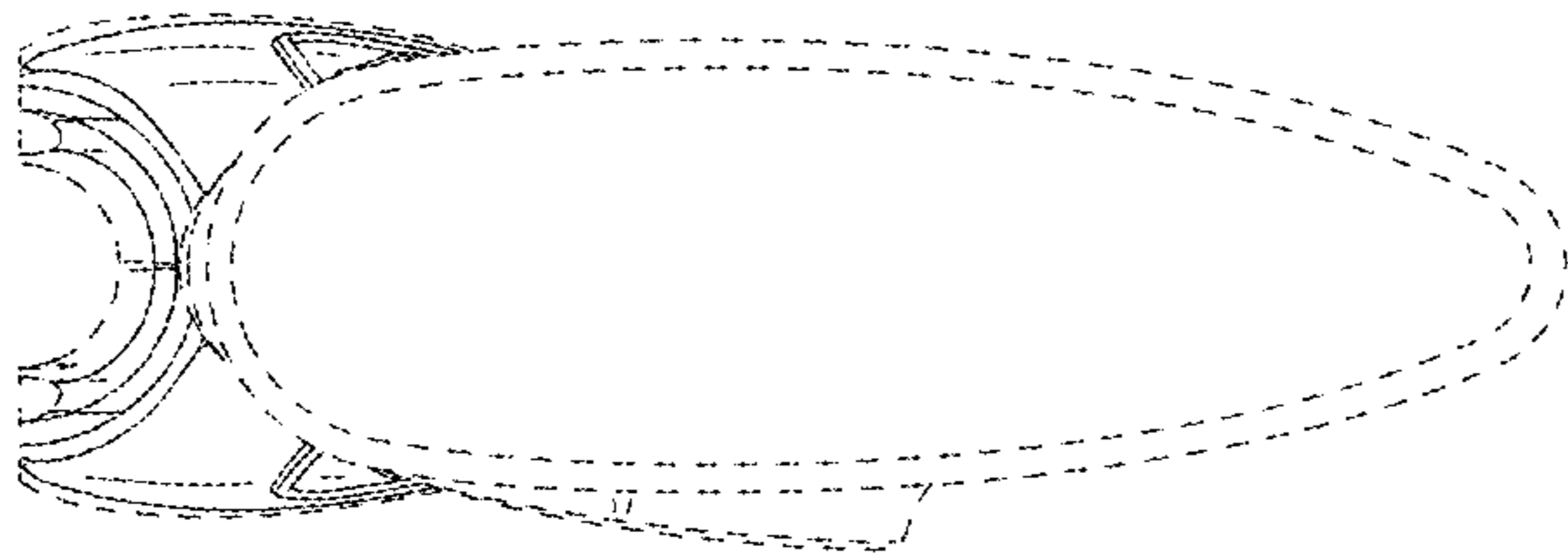


FIG. 15