



US00D802699S

(12) **United States Design Patent** (10) **Patent No.:** **US D802,699 S**  
**Shults et al.** (45) **Date of Patent:** **\*\* Nov. 14, 2017**

(54) **FIREARM SOUND SUPPRESSOR**  
(71) Applicant: **SilencerCo**, West Valley City, UT (US)  
(72) Inventors: **Jonathon Shults**, Sandy, UT (US);  
**Harrison Holden**, Sandy, UT (US);  
**Casey Brandol**, Kearns, UT (US);  
**Nathaniel Davis**, Salt Lake City, UT (US)  
(73) Assignee: **SilencerCo, LLC**, West Valley City, UT (US)  
(\*\*) Term: **15 Years**  
(21) Appl. No.: **29/568,359**  
(22) Filed: **Jun. 17, 2016**

**Related U.S. Application Data**

(62) Division of application No. 29/516,816, filed on Feb. 6, 2015, now Pat. No. Des. 767,706.  
(51) **LOC (10) Cl.** ..... **22-01**  
(52) **U.S. Cl.**  
USPC ..... **D22/108**  
(58) **Field of Classification Search**  
USPC ..... D22/108  
CPC ..... F41A 21/30; F41A 21/325  
See application file for complete search history.

(56) **References Cited**  
U.S. PATENT DOCUMENTS  
D158,795 S \* 5/1950 Powell ..... 42/79  
D280,655 S \* 9/1985 Cellini ..... 89/14.3  
D584,787 S \* 1/2009 Brittingham ..... D22/108  
D767,706 S \* 9/2016 Shults ..... D22/108  
D776,226 S \* 1/2017 Green ..... D22/108  
2010/0229712 A1 \* 9/2010 Graham ..... F41A 21/34  
89/14.2  
2016/0018179 A1 \* 1/2016 Morris ..... F41A 21/30  
181/223  
\* cited by examiner

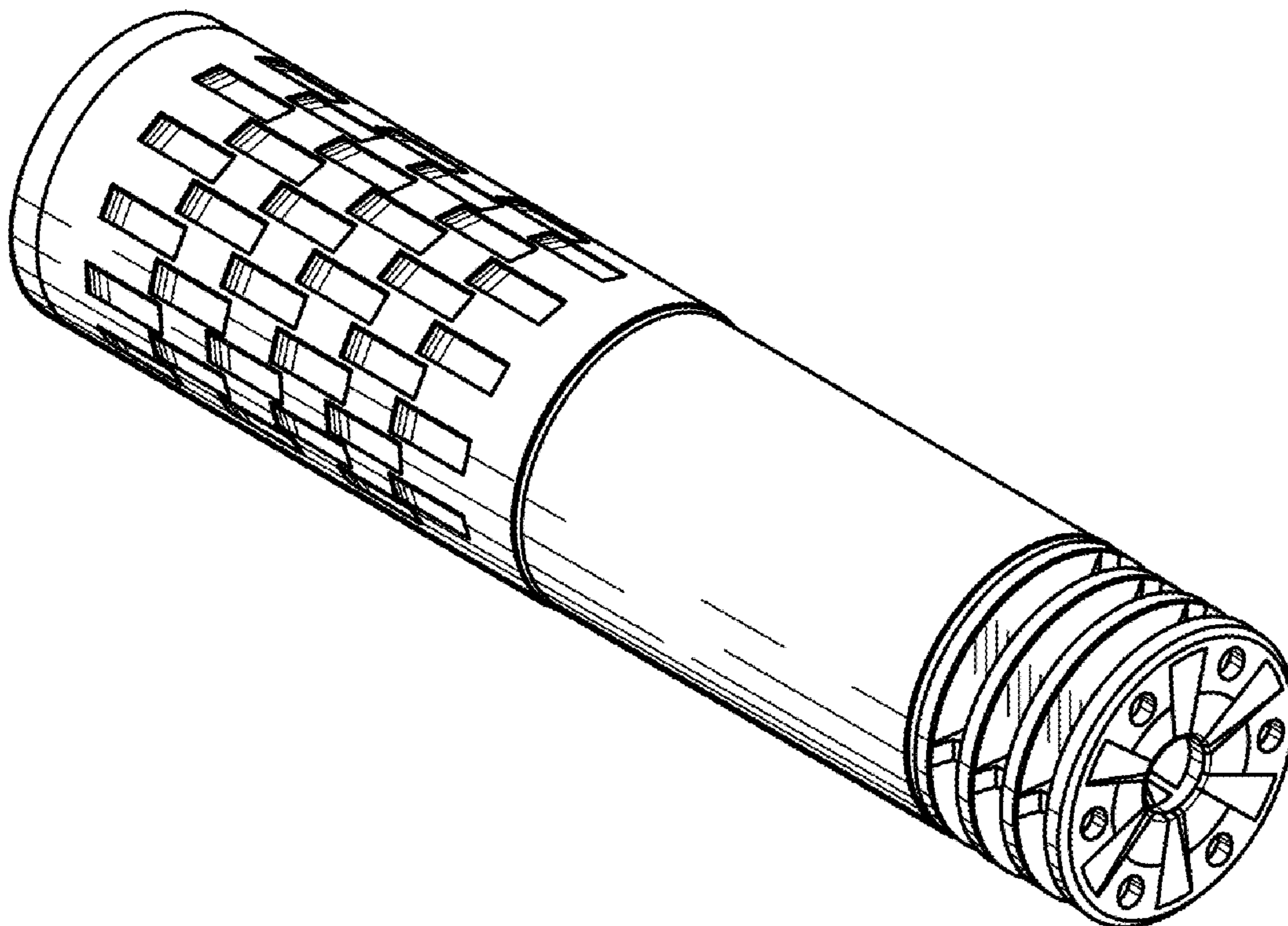
*Primary Examiner* — Michael A Pratt

(57) **CLAIM**  
We claim the ornamental design for a firearm sound suppressor, as shown and described.

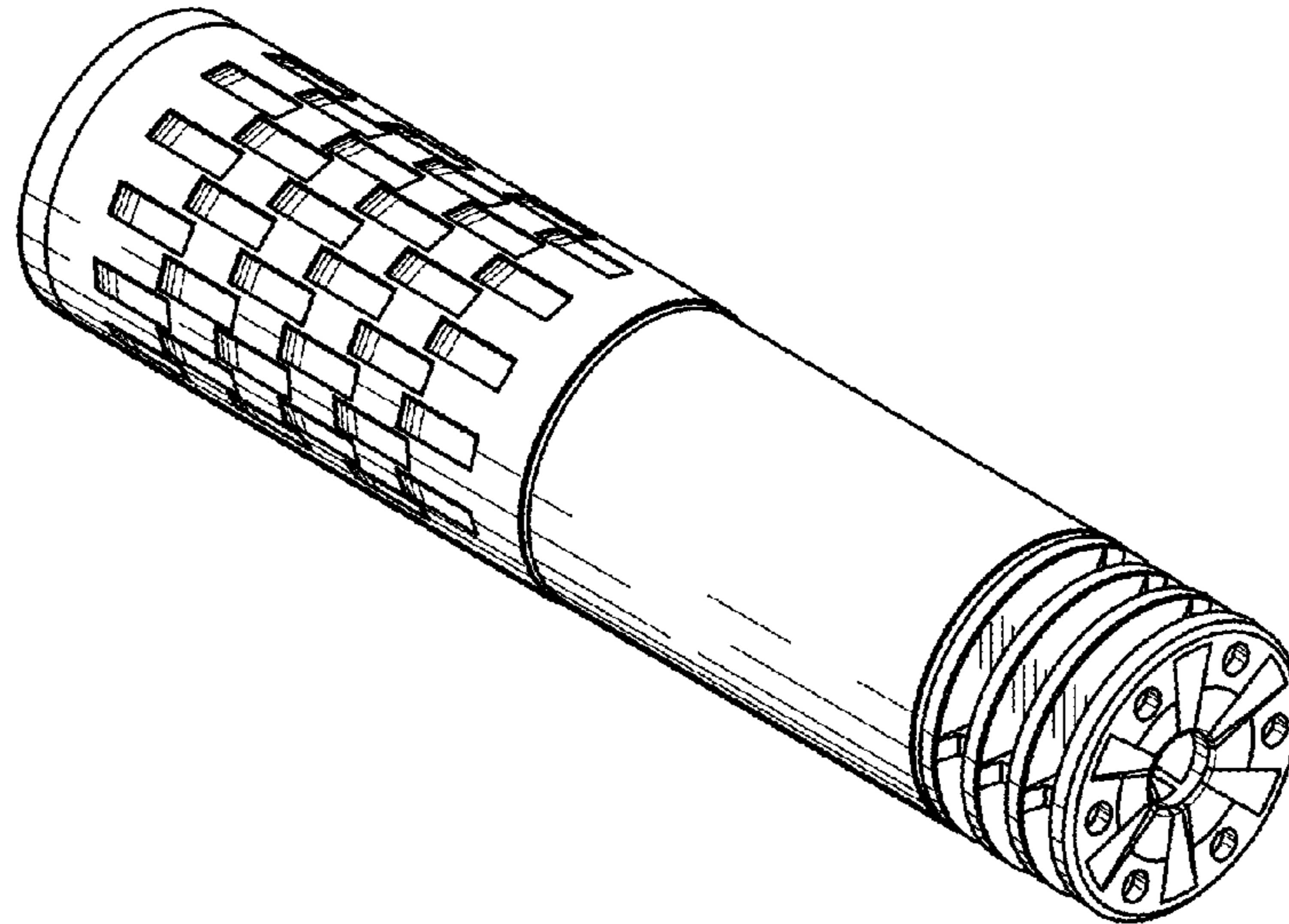
**DESCRIPTION**

FIG. 1 is an isometric view of an embodiment of our design for a firearm sound suppressor;  
FIG. 2 is a right side view of the design for the firearm sound suppressor shown in FIG. 1;  
FIG. 3 is a left side view of the design for the firearm sound suppressor shown in FIG. 1;  
FIG. 4 is a front view of the design for the firearm sound suppressor shown in FIG. 1; and,  
FIG. 5 is a rear view of the design for the firearm sound suppressor shown in FIG. 1.

**1 Claim, 1 Drawing Sheet**



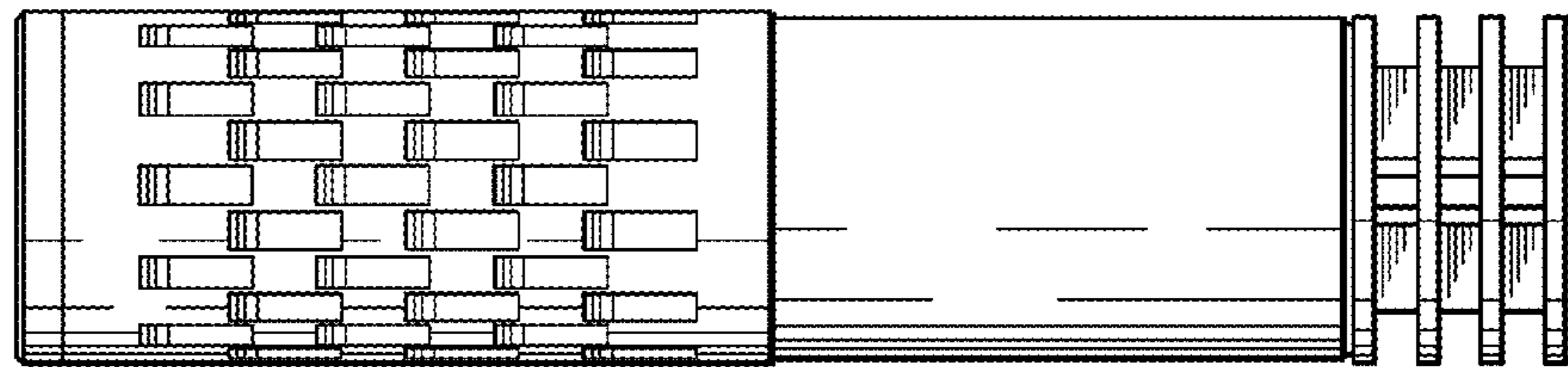
**FIG.1**



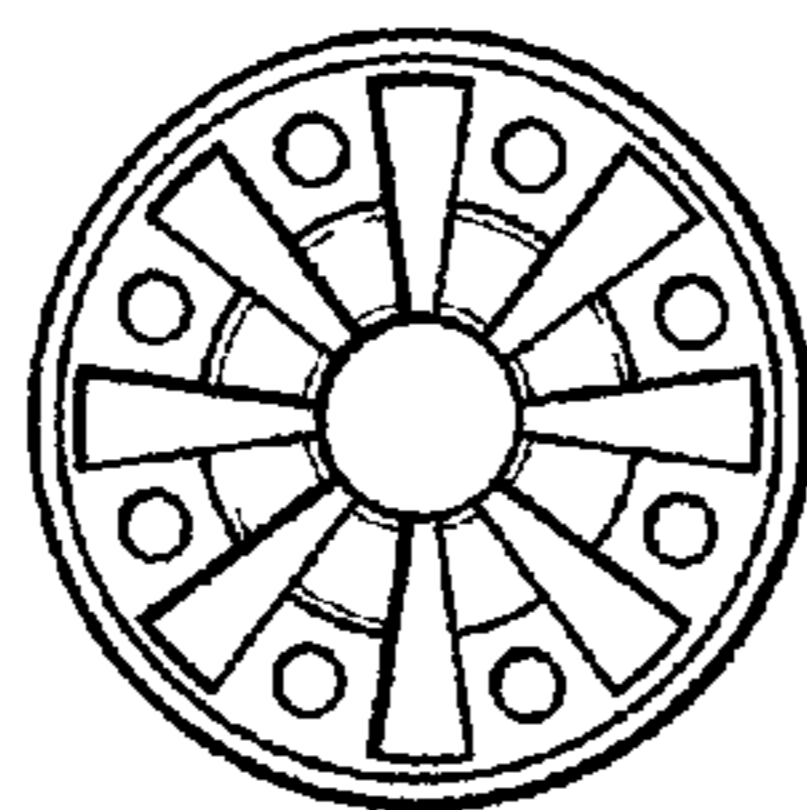
**FIG.2**



**FIG.3**



**FIG.4**



**FIG.5**

