



US00D802698S

(12) **United States Design Patent** (10) **Patent No.:** **US D802,698 S**
Schrock (45) **Date of Patent:** **** Nov. 14, 2017**

(54) **BAYONET RETAINING RIFLE SIGHT SYSTEM**

2014/0230303 A1 8/2014 Rice
2016/0327372 A1* 11/2016 Schrock F41G 11/003

* cited by examiner

(71) Applicant: **Andy Schrock**, Holladay, UT (US)

Primary Examiner — Michael A Pratt

(72) Inventor: **Andy Schrock**, Holladay, UT (US)

(74) *Attorney, Agent, or Firm* — Morriss O'Bryant Compagni

(**) Term: **15 Years**

(57) **CLAIM**

(21) Appl. No.: **29/563,398**

The ornamental design for a bayonet retaining rifle sight system, as shown and described.

(22) Filed: **May 4, 2016**

DESCRIPTION

(51) **LOC (10) Cl.** **22-01**

(52) **U.S. Cl.**
USPC **D22/108**

(58) **Field of Classification Search**
USPC D22/103, 108; D14/418

CPC F41C 23/10; F41C 23/14; F41C 23/16;
F41C 23/18; F41C 23/00; F41C 27/00;
F41C 27/06; F41A 5/18; F41A 5/24;
F41A 21/28

See application file for complete search history.

FIG. 1 is a side perspective view of the bayonet retaining rifle sight system in situ on a rifle;
FIG. 2 is a left side view of the bayonet retaining rifle sight system;
FIG. 3 is a right side view of the bayonet retaining rifle sight system;
FIG. 4 is a top view of the bayonet retaining rifle sight system;
FIG. 5 is a bottom view of the bayonet retaining rifle sight system;
FIG. 6 is a front view of a front component of the bayonet retaining rifle sight system;
FIG. 7 is a rear view of the front component of the bayonet retaining rifle sight system;
FIG. 8 is a front view of a middle component of the bayonet retaining rifle sight system;
FIG. 9 is a rear view of the middle component of the bayonet retaining rifle sight system;
FIG. 10 is a front view of a rear component of the bayonet retaining rifle sight system; and,
FIG. 11 is a rear view of the rear component of the bayonet retaining rifle sight system.

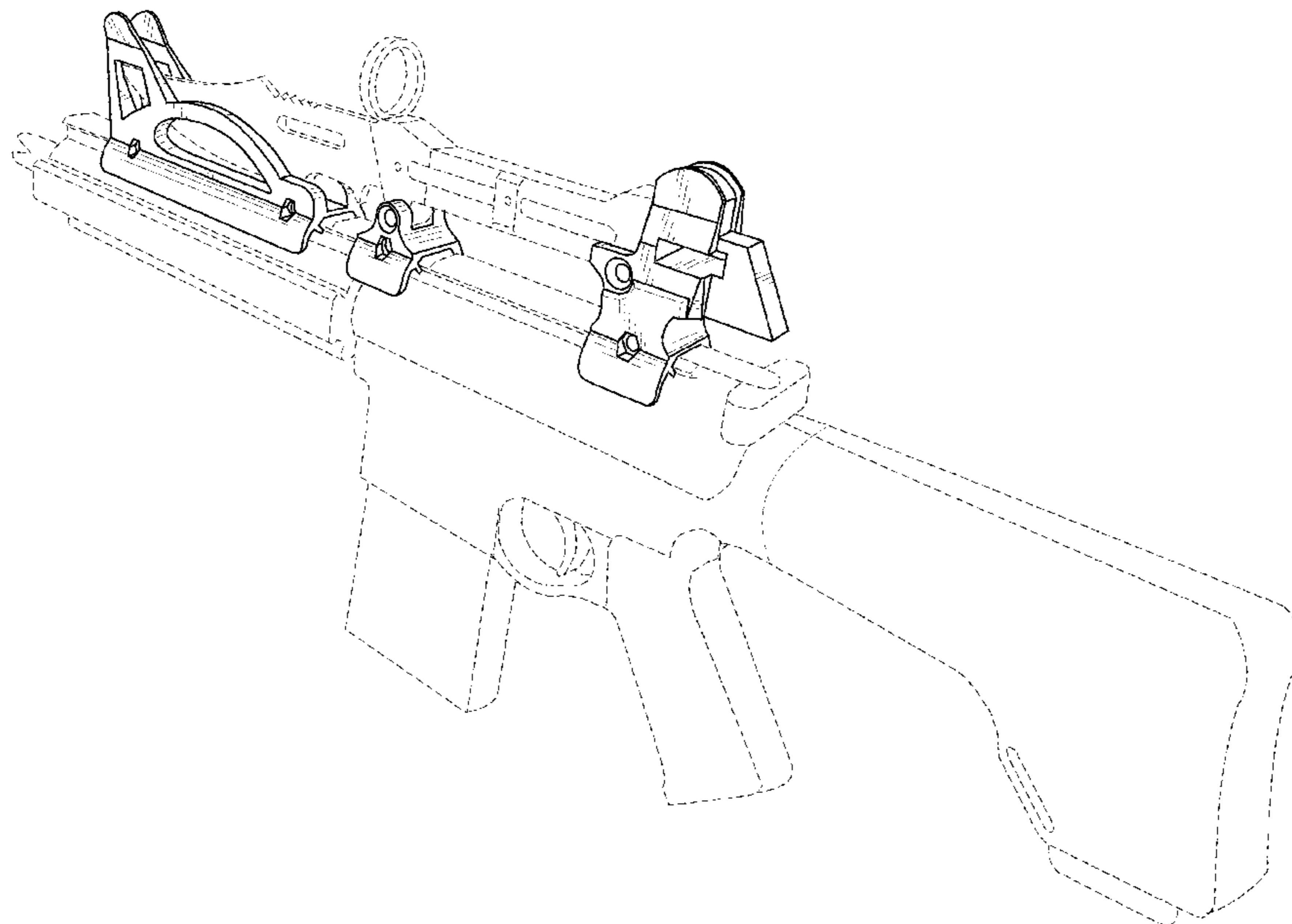
The broken lines in the drawings are included for the purpose of illustration only and form no part of the claimed design.

(56) **References Cited**

U.S. PATENT DOCUMENTS

1,290,807	A	1/1919	Tomanek	
4,819,289	A	4/1989	Gibbs	
5,594,967	A	1/1997	Morton et al.	
6,209,250	B1	4/2001	Mills	
6,968,642	B1 *	11/2005	Leung F41C 23/16 30/162
7,146,762	B1	12/2006	Leung	
7,493,718	B2	2/2009	Gorzen	
8,613,157	B2	12/2013	McCaffery	
9,175,924	B1 *	11/2015	Williford F41G 11/001

1 Claim, 4 Drawing Sheets



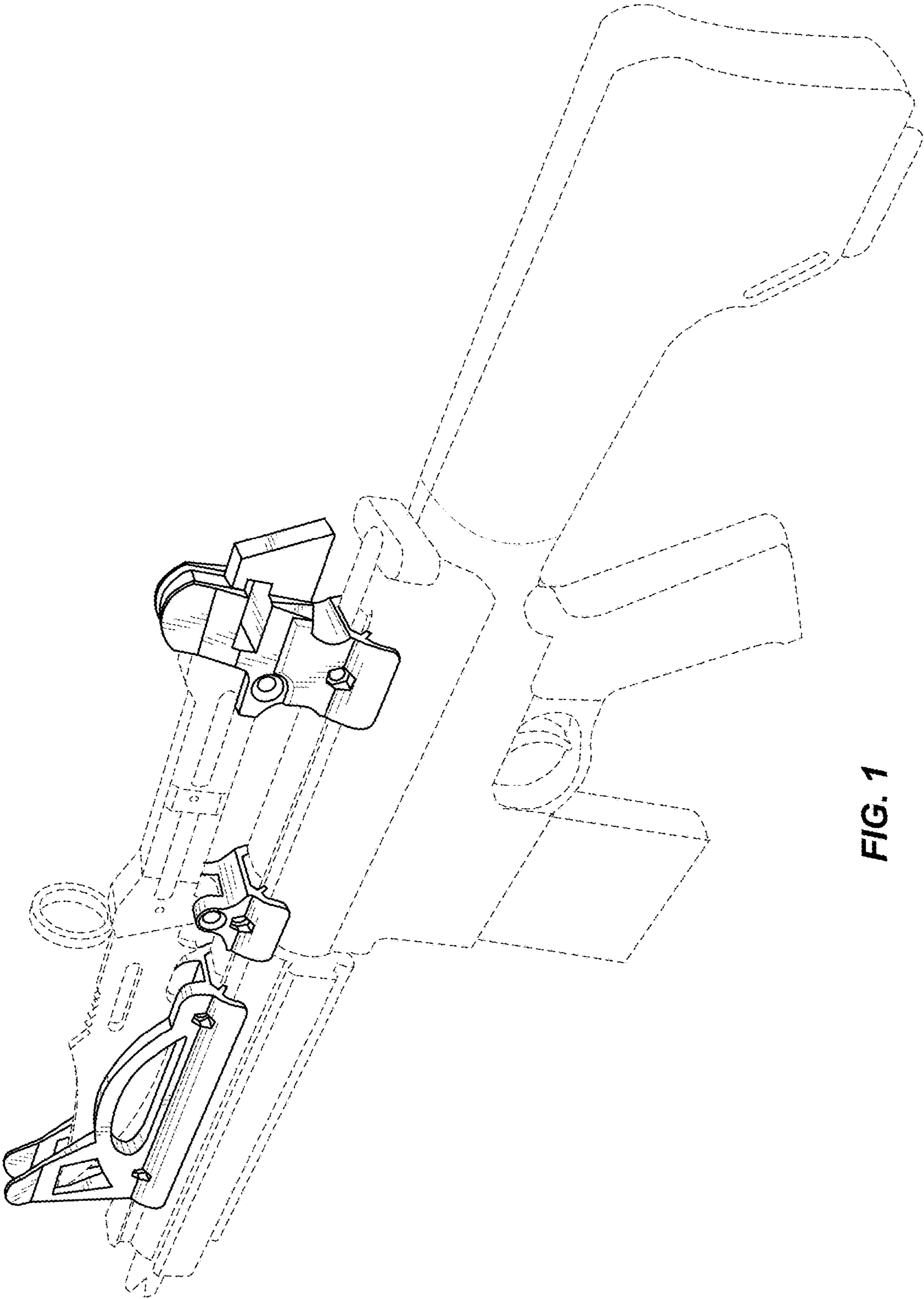


FIG. 1

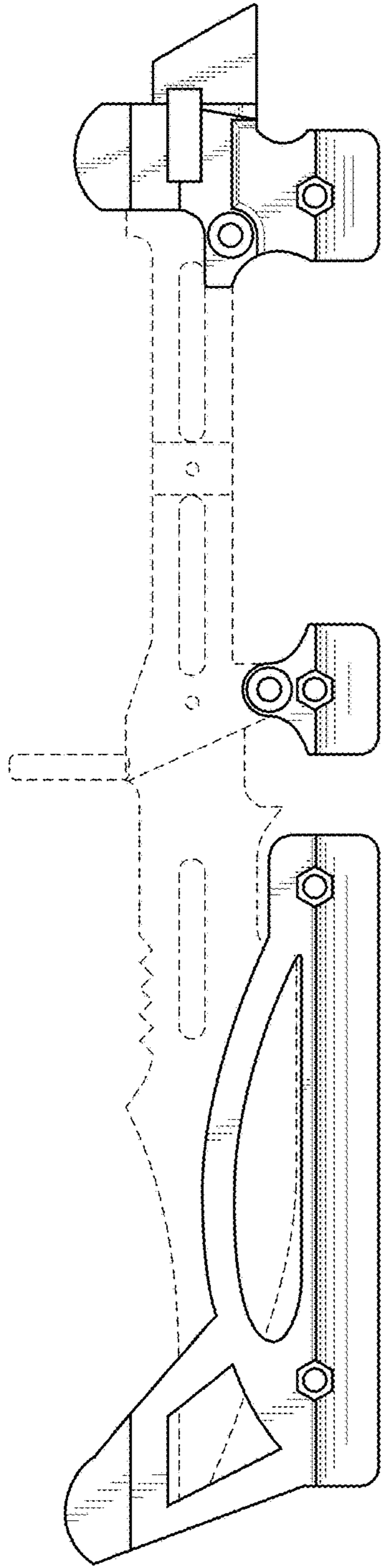


FIG. 2

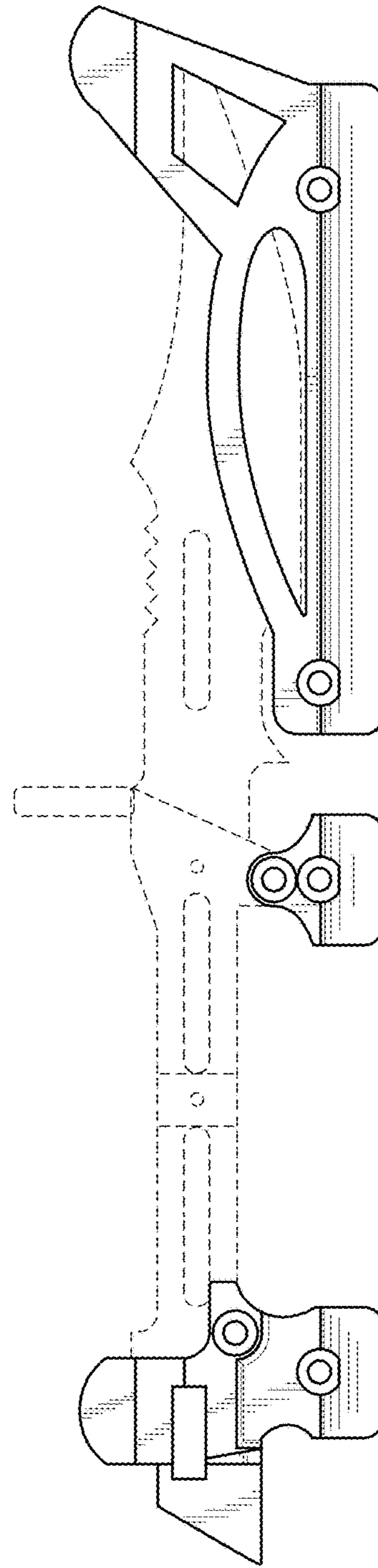


FIG. 3

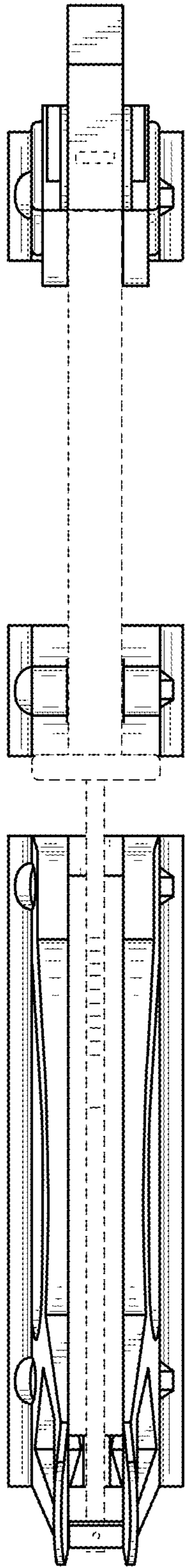


FIG. 4

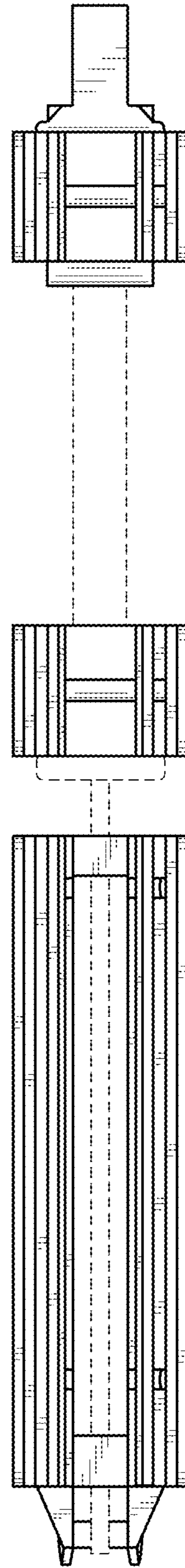


FIG. 5

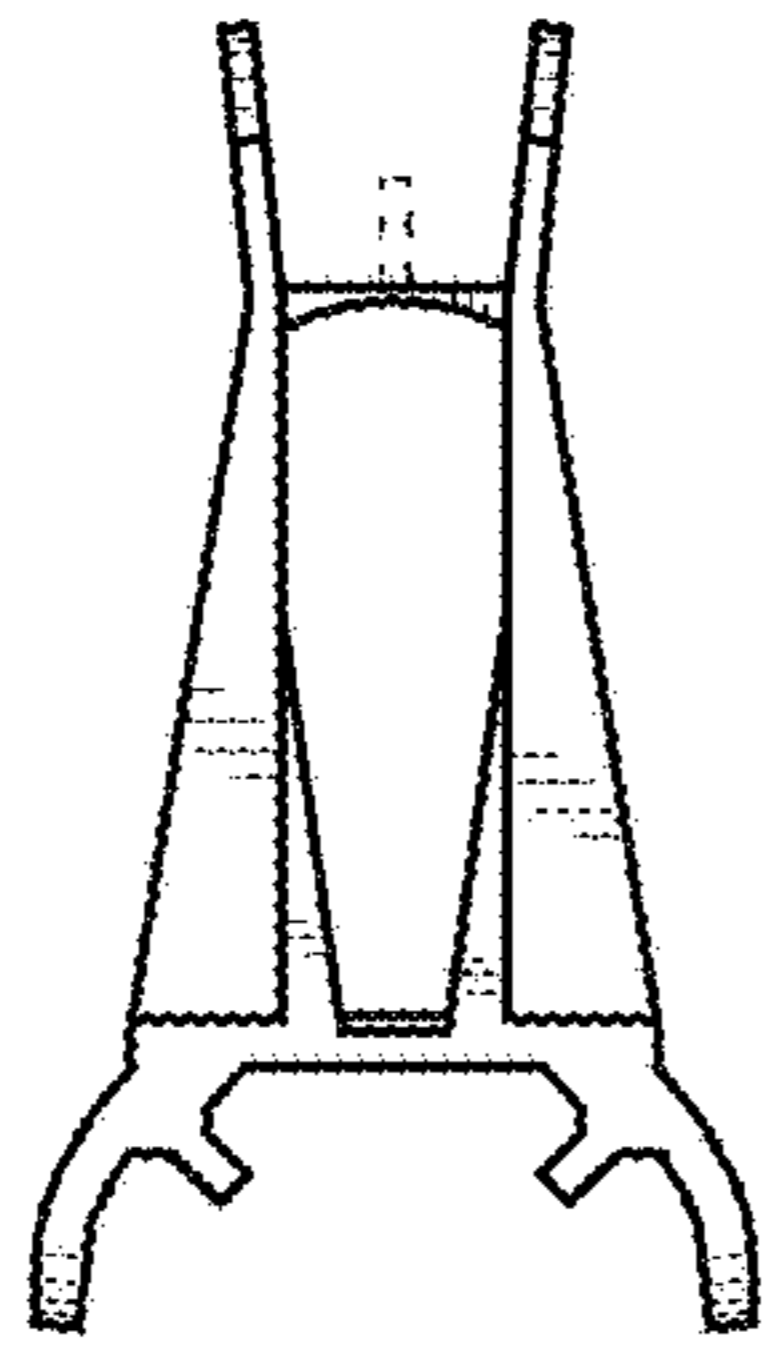


FIG. 6

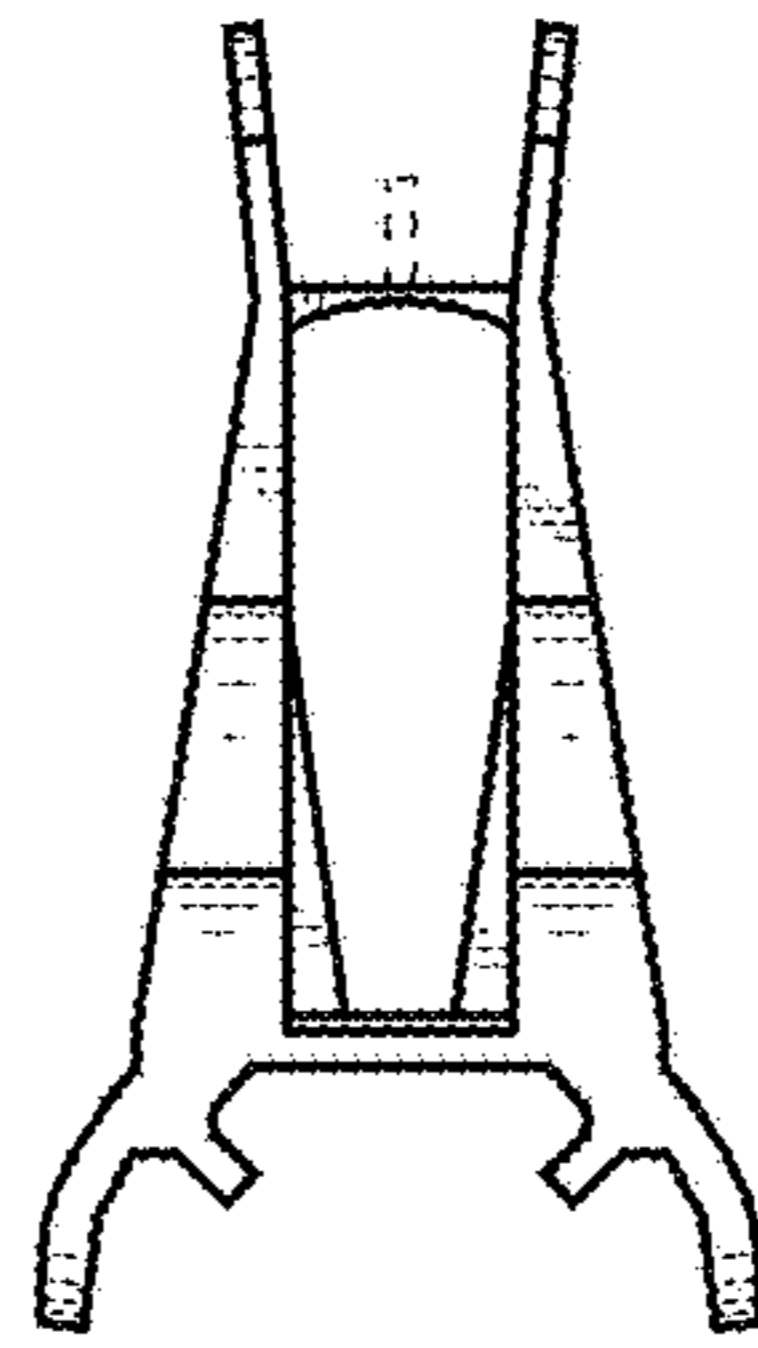


FIG. 7

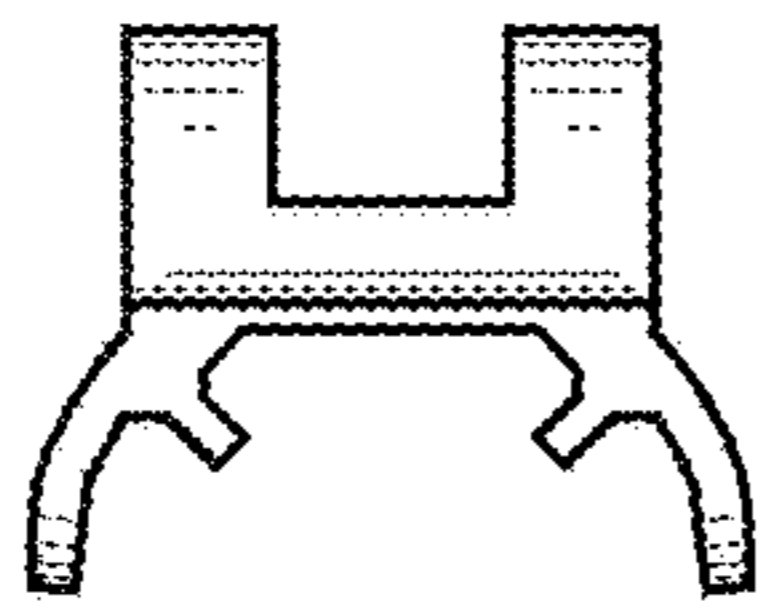


FIG. 8

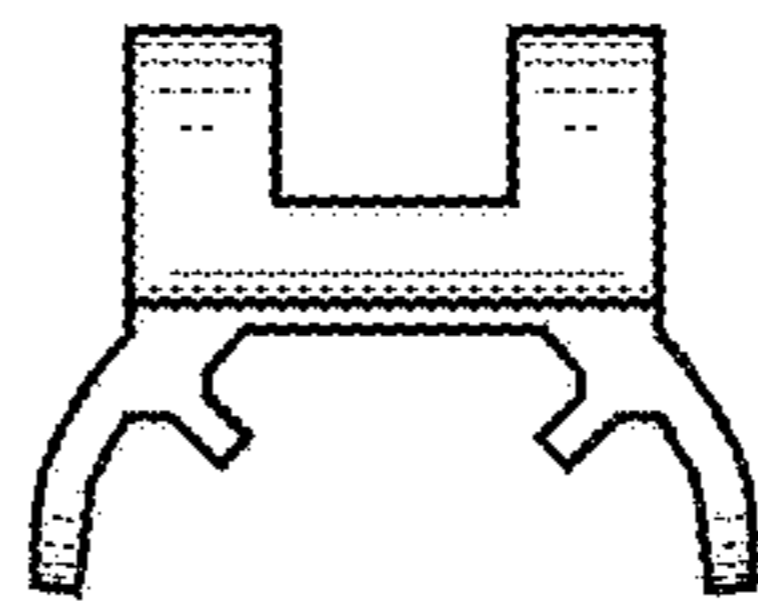


FIG. 9

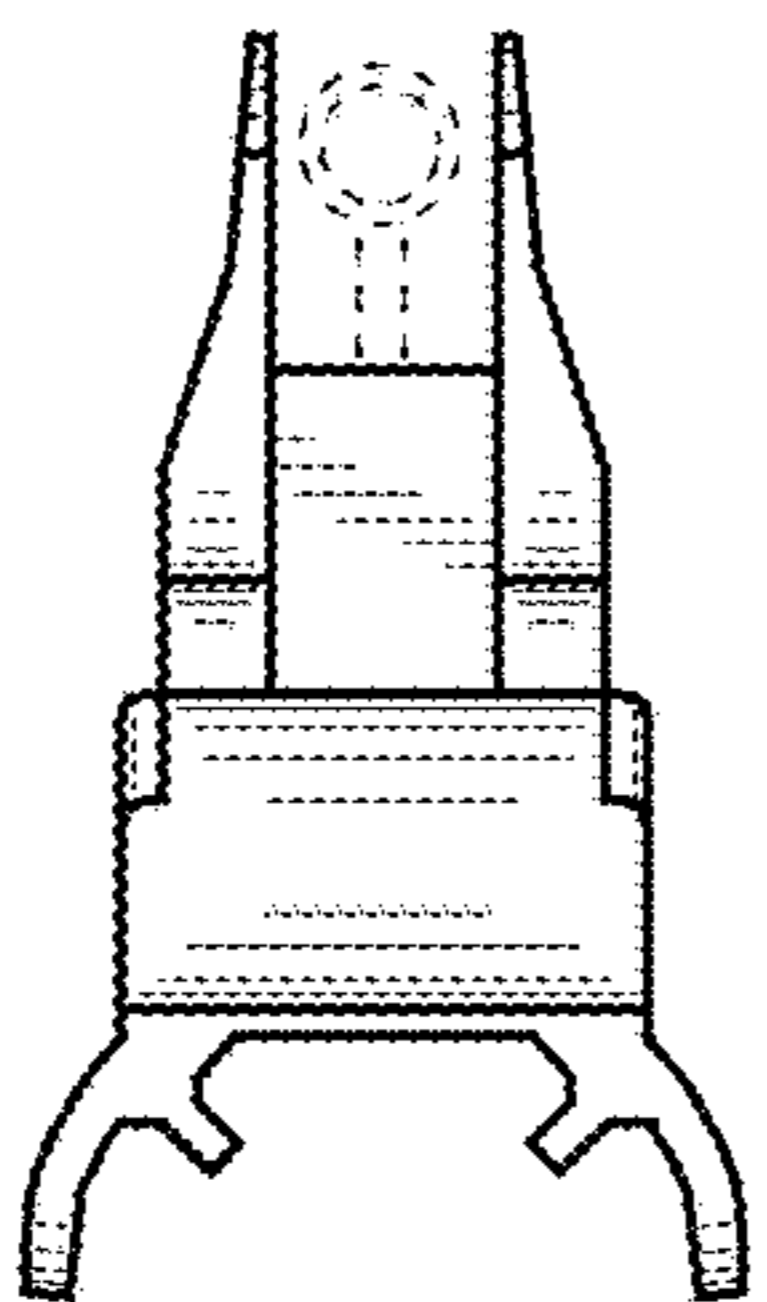


FIG. 10

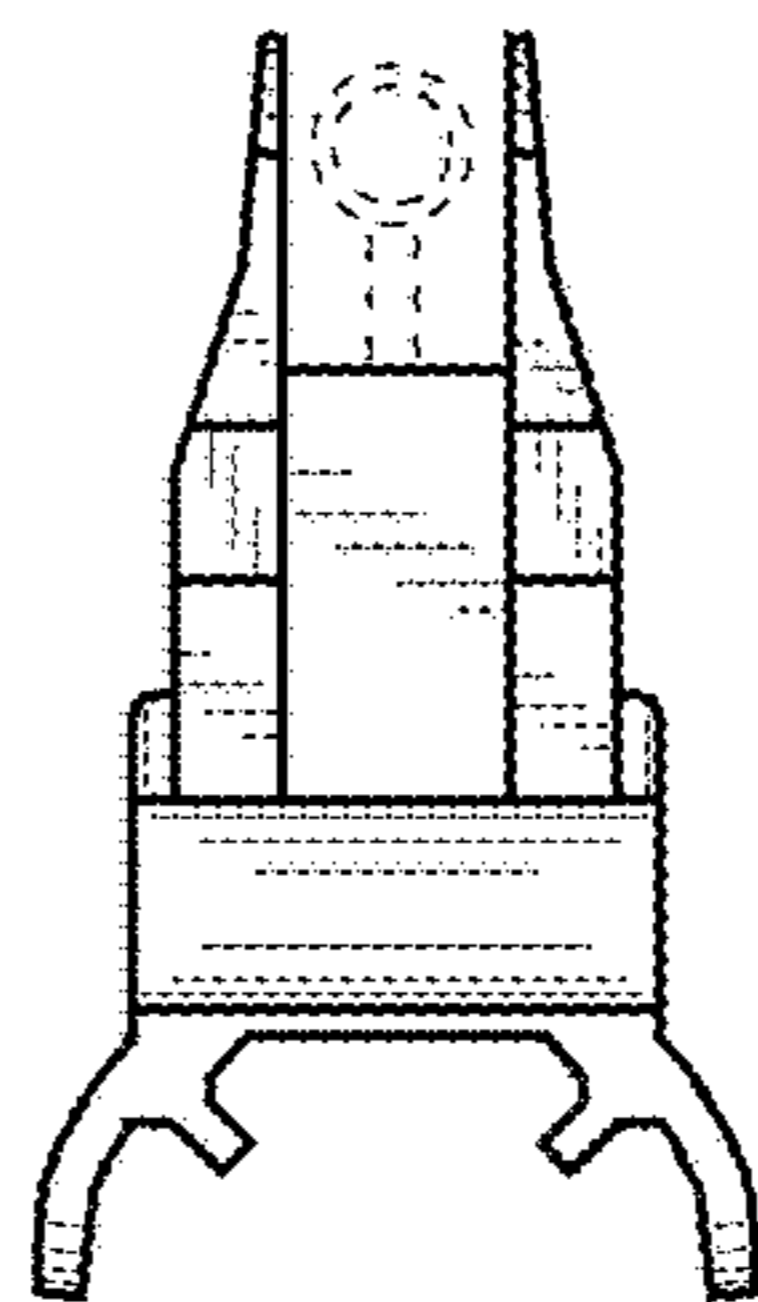


FIG. 11