



US00D802697S

(12) **United States Design Patent** (10) **Patent No.:** **US D802,697 S**  
**Dueck** (45) **Date of Patent:** **\*\* Nov. 14, 2017**

(54) **REFLECTOR SIGHT MOUNT FOR HANDGUN**

D543,604 S \* 5/2007 Minneman ..... D22/108

\* cited by examiner

(71) Applicant: **Barry W. Dueck**, Sunset Beach, CA (US)

*Primary Examiner* — Susan Bennett Hattan

*Assistant Examiner* — S. Bryan Reinholdt, Jr.

(72) Inventor: **Barry W. Dueck**, Sunset Beach, CA (US)

(74) *Attorney, Agent, or Firm* — R. Tracy Crump

(\*\*) Term: **15 Years**

(57) **CLAIM**

I claim the ornamental design of a reflector sight mount for a handgun, as shown and described.

(21) Appl. No.: **29/538,525**

**DESCRIPTION**

(22) Filed: **Sep. 4, 2015**

(51) **LOC (10) Cl.** ..... **22-01**

(52) **U.S. Cl.**  
USPC ..... **D22/108**

(58) **Field of Classification Search**  
USPC ..... D8/71-74; D21/569; D22/100, 107, D22/108, 199; 33/265; 124/87; 211/64; 248/125.3, 156, 171, 187.1, 354.6, 520  
CPC ..... A47F 5/00; A47F 7/00; F41B 5/00; F41G 1/00

FIG. 1 is a top front perspective view of a reflector sight mount for a handgun showing my design;  
FIG. 2 is a bottom perspective side view thereof;  
FIG. 3 is a front side view thereof;  
FIG. 4 is a rear view thereof;  
FIG. 5 is a left side view thereof;  
FIG. 6 is a right side view thereof;  
FIG. 7 is a top view thereof; and,  
FIG. 8 is a bottom view thereof.

See application file for complete search history.

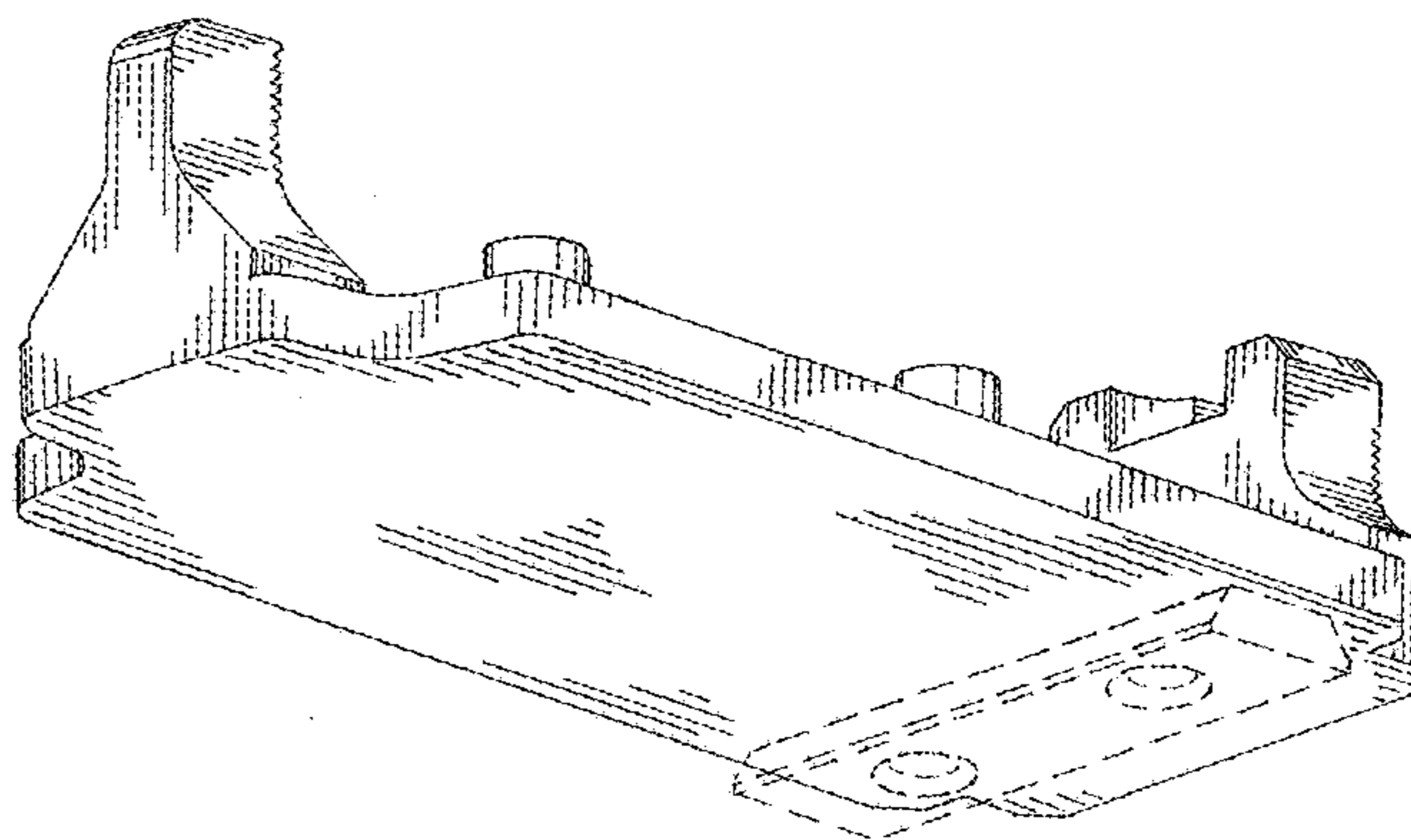
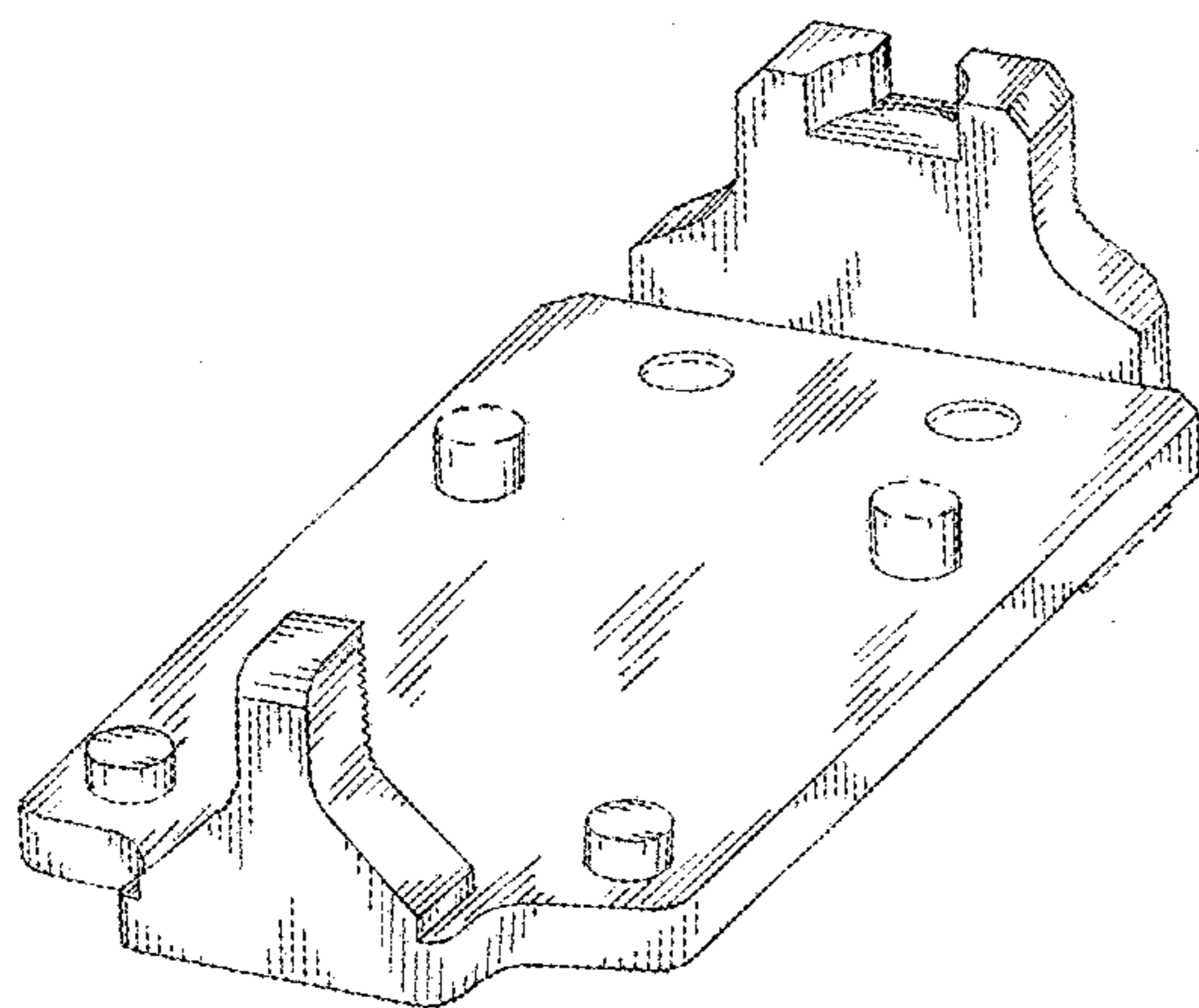
The broken lines shown inside the circular apertures in FIGS. 1 and 7 depict boundaries of the claim and form no part of the claimed design. All other broken lines in the drawings depict parts of the reflector sight for handgun that form no part of the claimed design.

(56) **References Cited**

**U.S. PATENT DOCUMENTS**

D423,627 S \* 4/2000 Simpson, Sr. .... D22/100

**1 Claim, 8 Drawing Sheets**



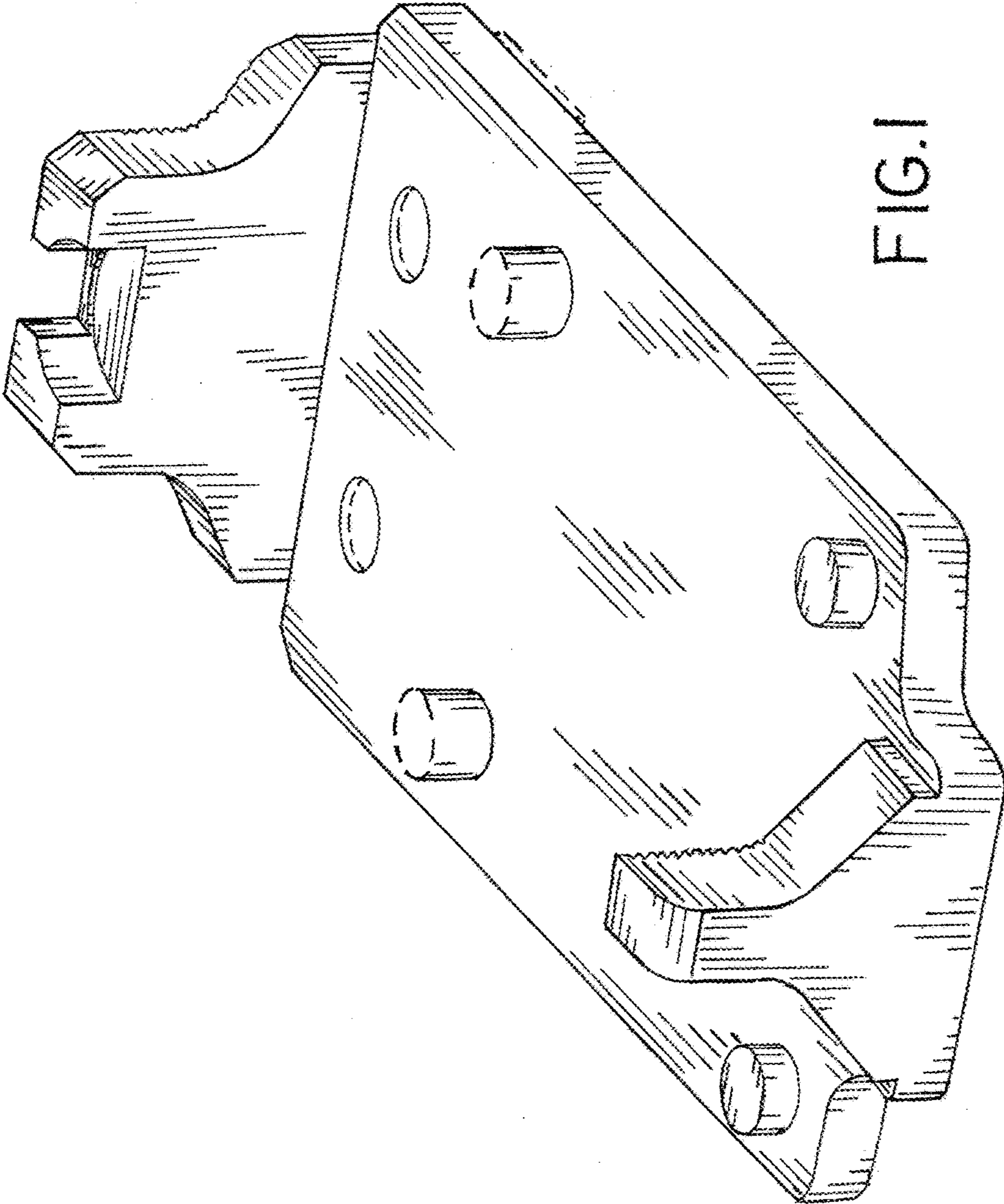


FIG. 1

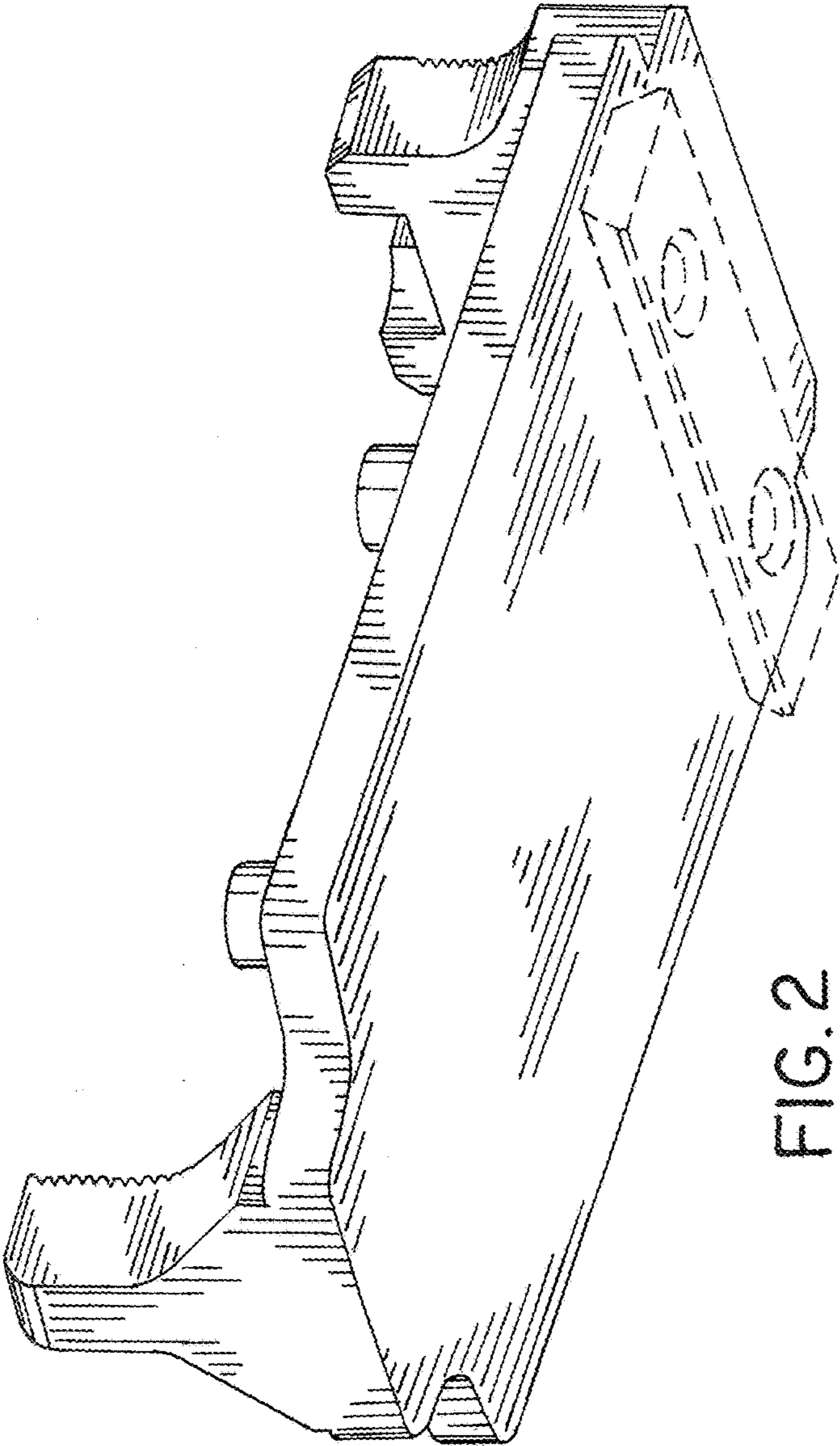


FIG. 2

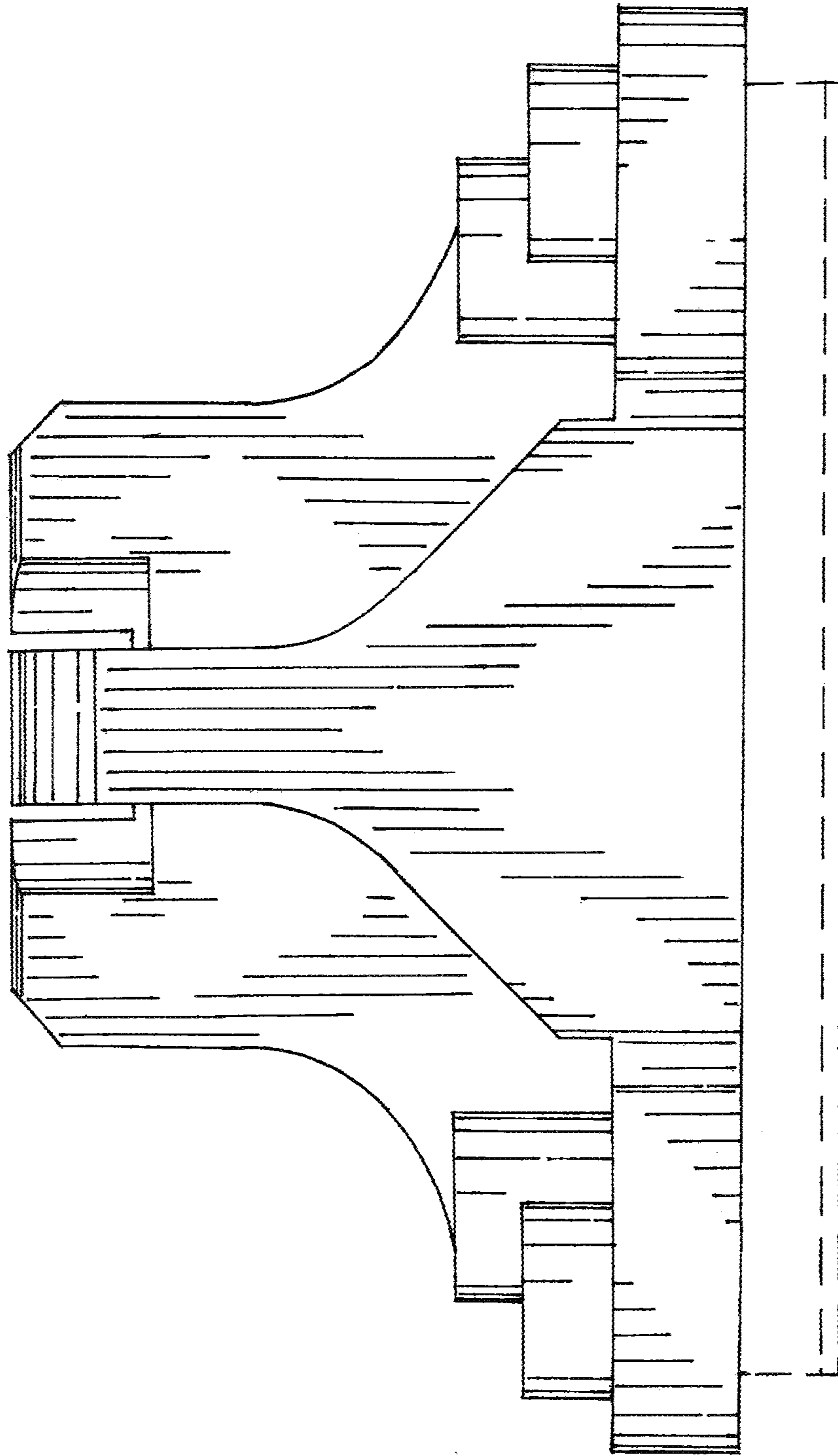


FIG. 3

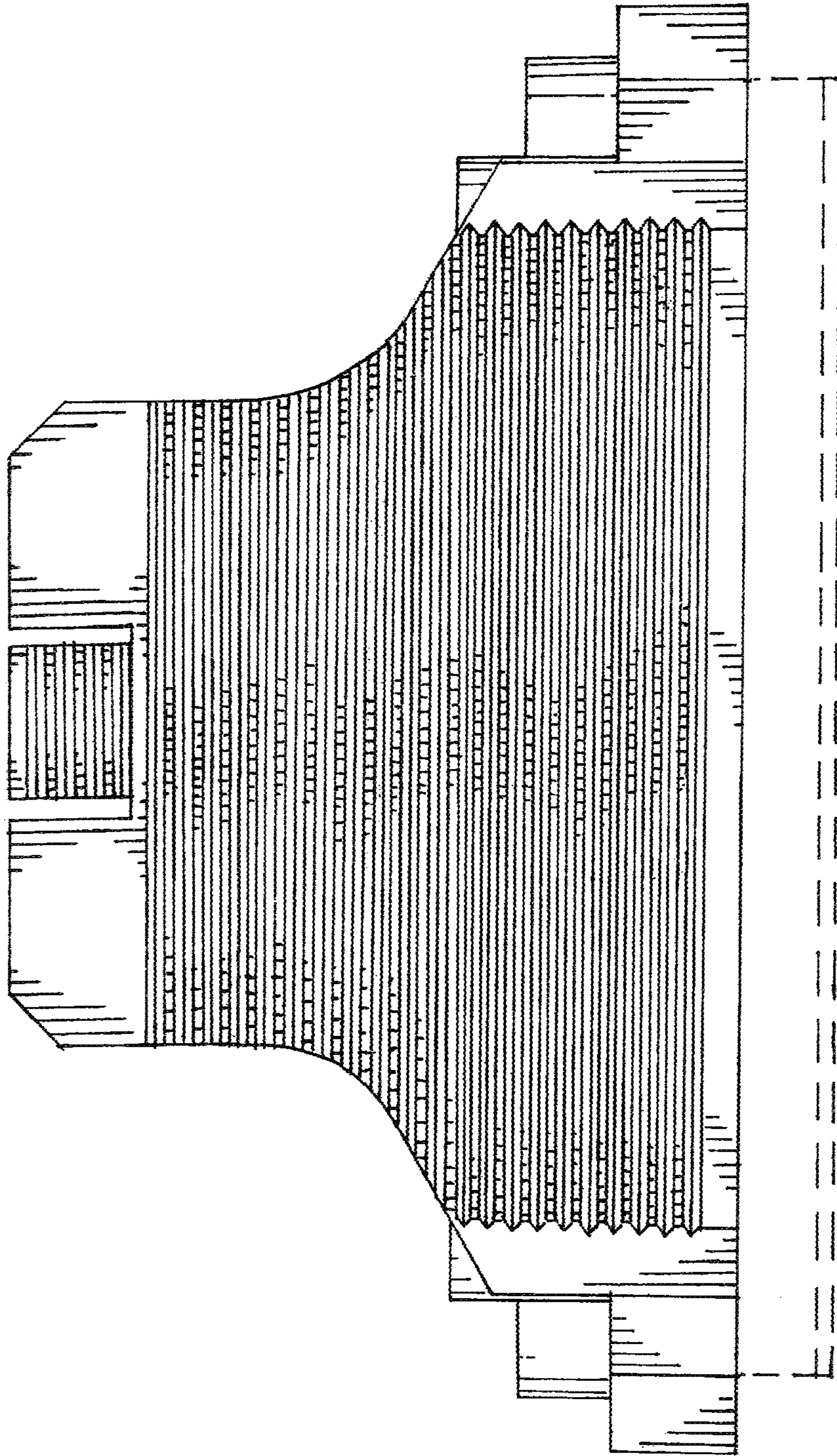


FIG.4

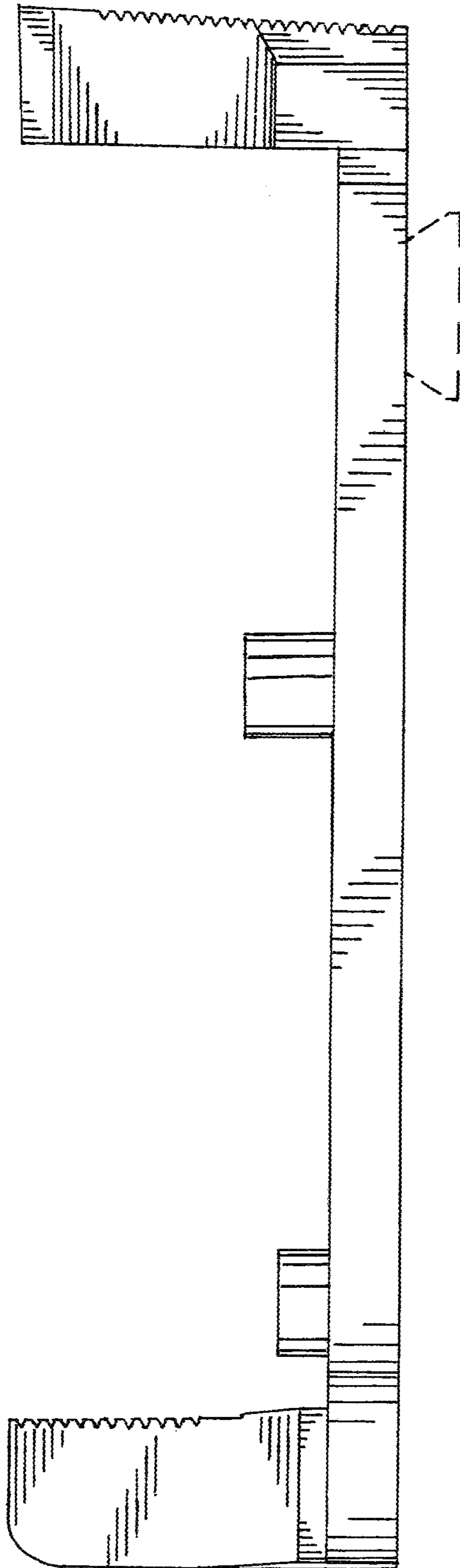


FIG. 5

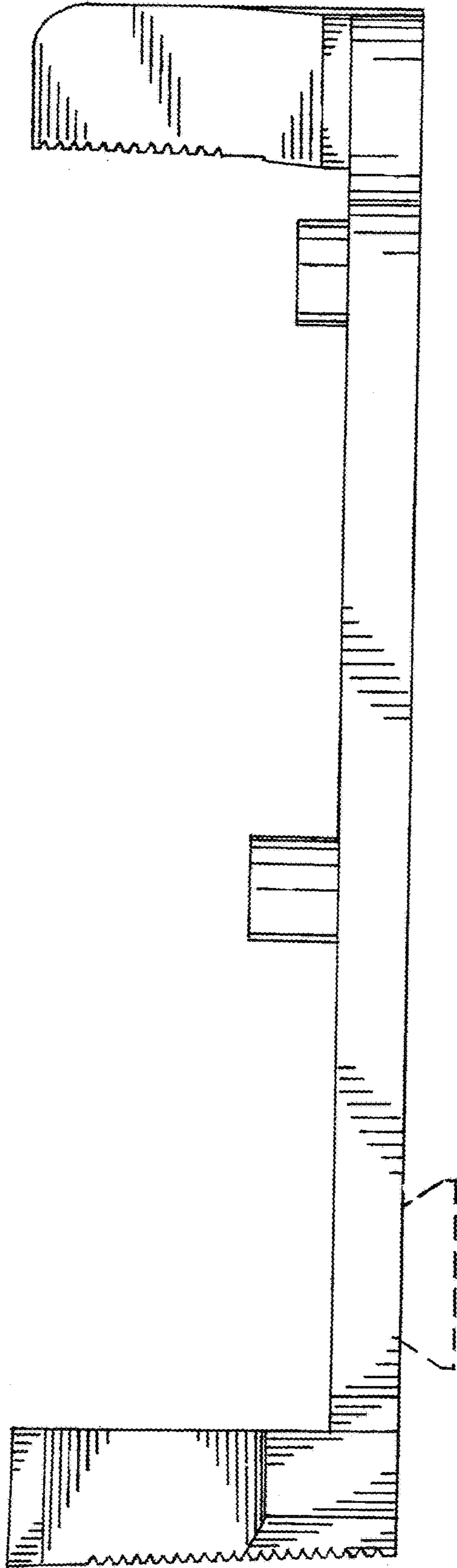


FIG. 6

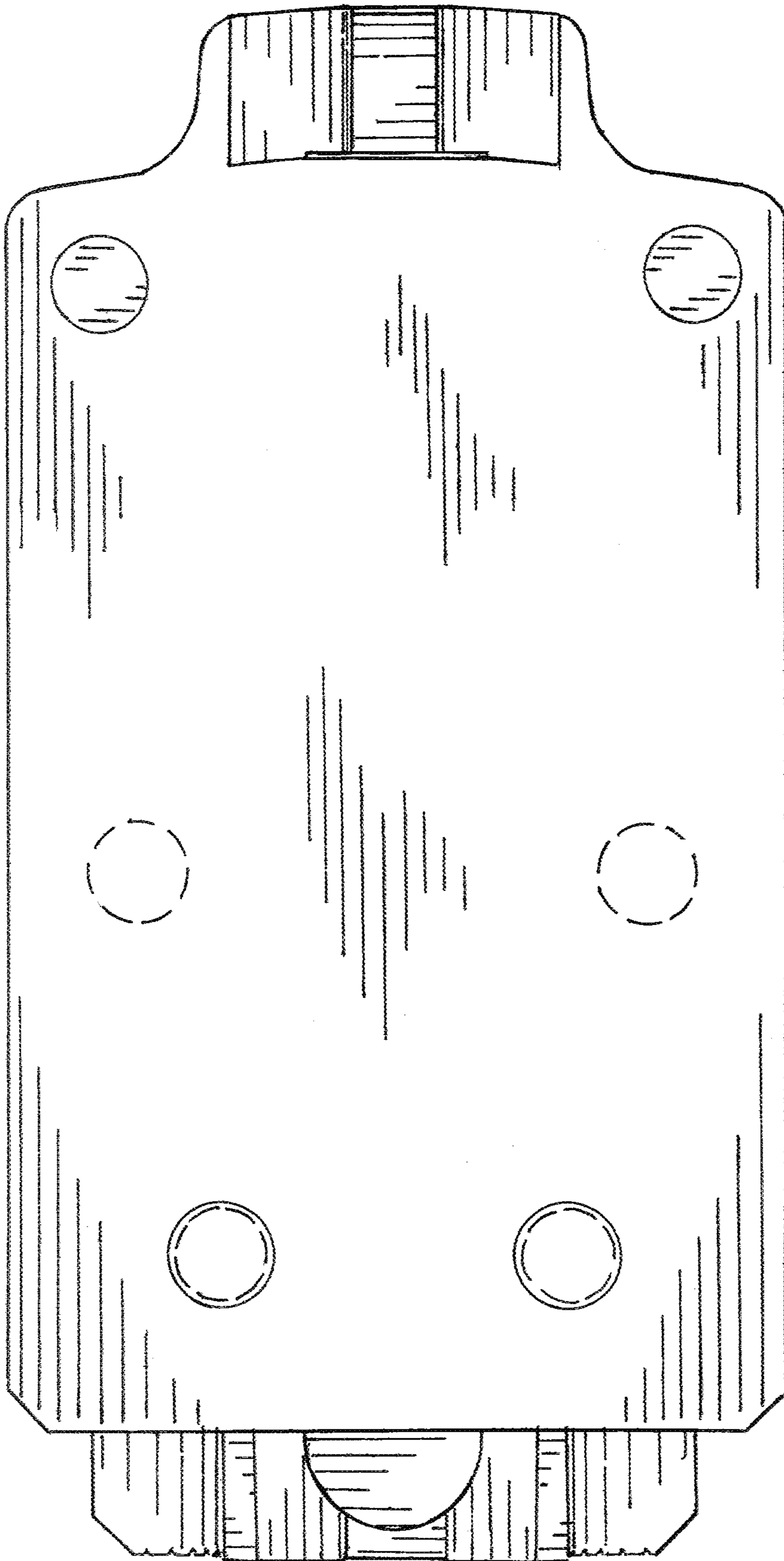


FIG. 7



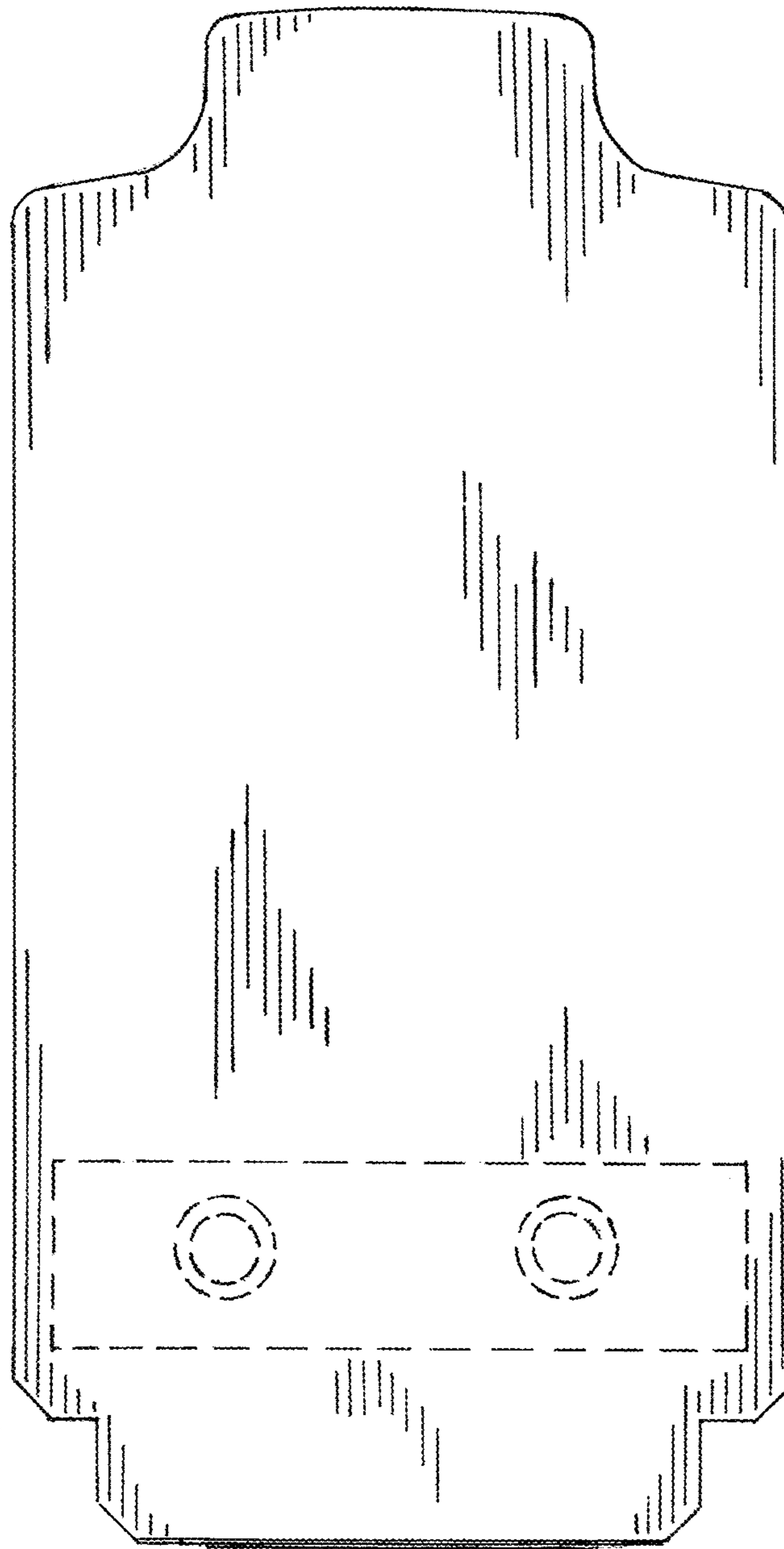


FIG. 8