



US00D802694S

(12) **United States Design Patent**
Kragerud

(10) **Patent No.:** **US D802,694 S**

(45) **Date of Patent:** **** *Nov. 14, 2017**

(54) **GOLF MARKER**

(71) Applicant: **Bret Kragerud**, Kent, WA (US)

(72) Inventor: **Bret Kragerud**, Kent, WA (US)

(*) Notice: This patent is subject to a terminal disclaimer.

(**) Term: **14 Years**

(21) Appl. No.: **29/511,314**

(22) Filed: **Dec. 9, 2014**

(51) **LOC (10) Cl.** **21-02**

(52) **U.S. Cl.**
USPC **D21/794**

(58) **Field of Classification Search**
USPC D21/789, 793, 794, 386, 390
CPC A63B 57/353; A63B 57/207
See application file for complete search history.

(56) **References Cited**

U.S. PATENT DOCUMENTS

- 3,041,071 A * 6/1962 Fialon A63B 57/353
40/124.5
- 3,715,781 A * 2/1973 Salvatori A44B 1/28
24/113 MP
- 5,356,133 A 10/1994 Bellagamba
- 5,437,446 A * 8/1995 Youngkin A63B 69/3676
473/257
- D365,133 S * 12/1995 Belmont D21/794
- 6,077,174 A * 6/2000 Noritake A63B 57/353
473/406
- D428,954 S 8/2000 Tate
- D446,837 S * 8/2001 Tate D21/794
- D462,102 S * 8/2002 Urbik D21/794
- D472,290 S * 3/2003 Kristoffersen D21/794
- D480,444 S * 10/2003 Marchessault D21/794
- D520,588 S 5/2006 Morgan
- D530,767 S * 10/2006 Davis D21/794
- D540,902 S * 4/2007 Regalado D21/794

- D583,893 S * 12/2008 Ruff D21/794
- D588,226 S * 3/2009 Brown D21/794
- D588,670 S * 3/2009 Walz D21/794
- D606,149 S * 12/2009 Regalado D21/793
- D624,142 S * 9/2010 Weber D21/794
- D627,021 S * 11/2010 Savarese D21/753
- D630,284 S * 1/2011 Desrosiers D21/794
- D662,165 S * 6/2012 Kragerud D21/794
- 8,388,469 B1 * 3/2013 Hawthorn A63B 57/353
473/406
- D689,973 S * 9/2013 Smith D21/794
- D721,152 S * 1/2015 Kokoska D21/794
- D762,799 S * 8/2016 Polete D21/794
- 2005/0026727 A1 * 2/2005 Barouh A63B 57/353
473/406
- 2008/0207356 A1 * 8/2008 Pekrol A63B 69/3676
473/406
- 2008/0220909 A1 * 9/2008 Yamashita A63B 57/207
473/406

(Continued)

OTHER PUBLICATIONS

Google Image Search, "Flat Golf Ball Marker Arrow," Jul. 1, 2011.
5 pages.

(Continued)

Primary Examiner — Mitchell Siegel
(74) *Attorney, Agent, or Firm* — George A. Leone;
Citadel Patent Law

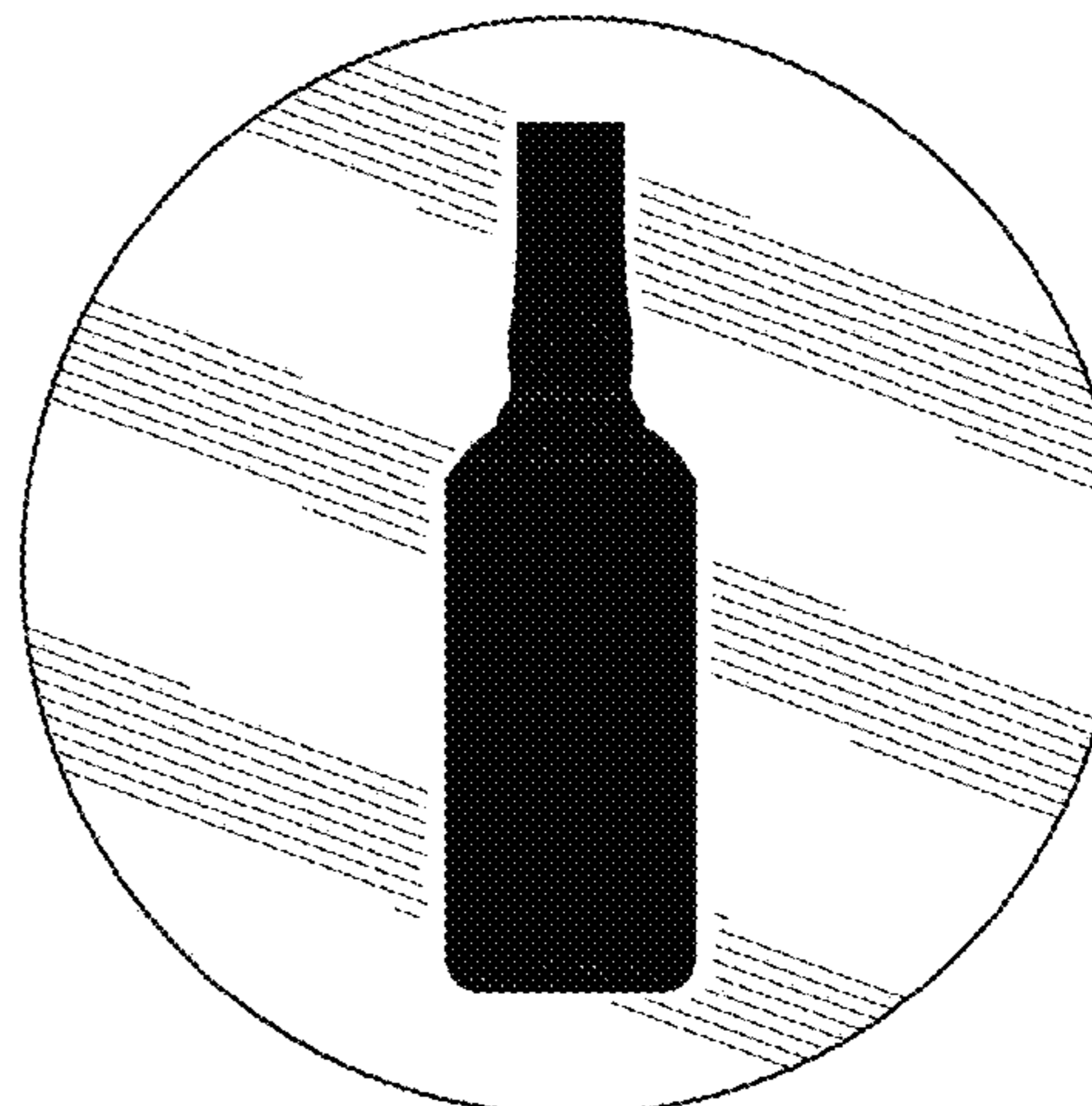
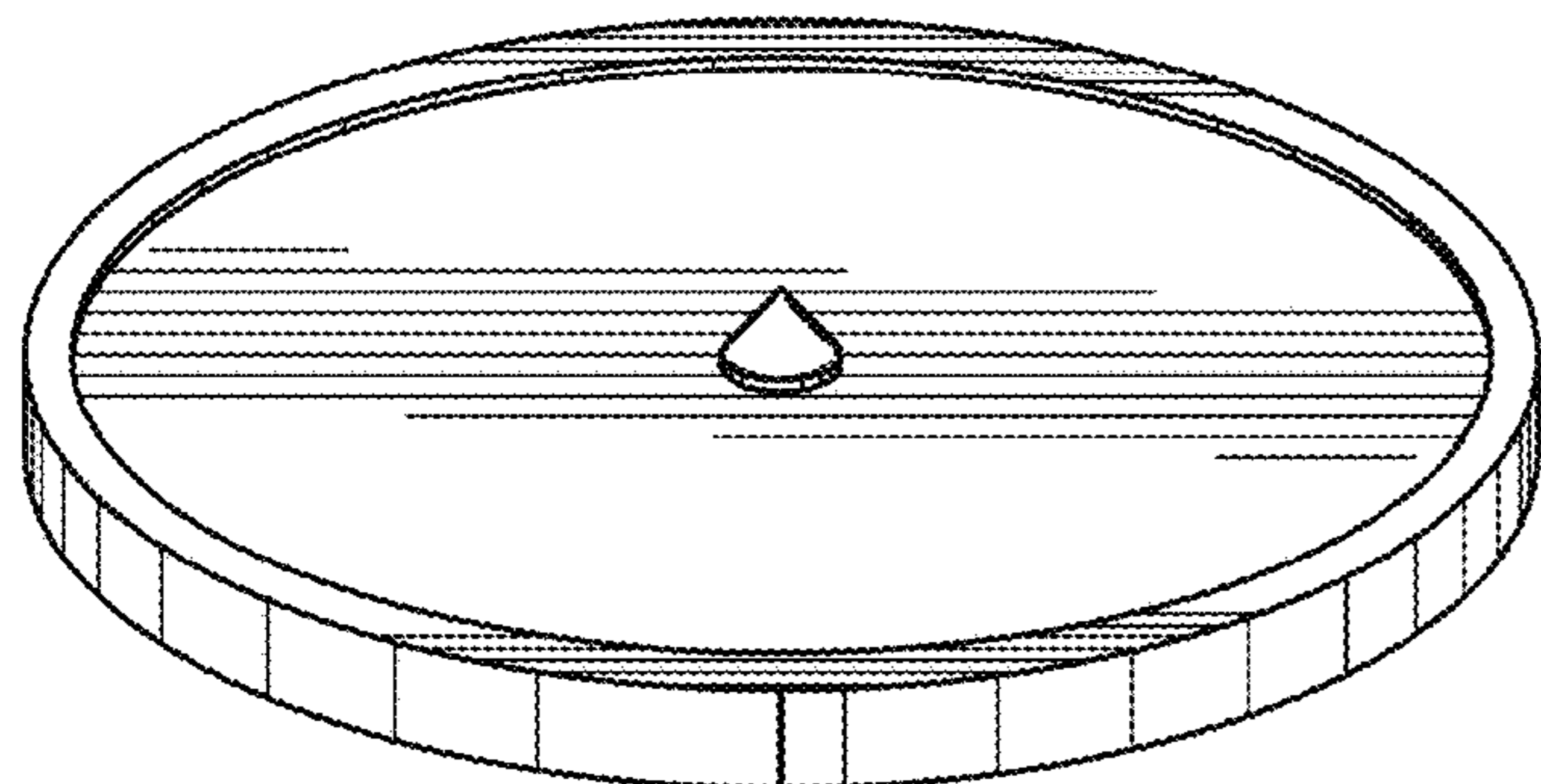
(57) **CLAIM**

The ornamental design for a golf marker, as shown and described.

DESCRIPTION

FIG. 1 is a perspective view of a golf marker showing my new design;
FIG. 2 is a top plan view thereof;
FIG. 3 is a bottom plan view thereof; and,
FIG. 4 is a side elevational view thereof.

1 Claim, 2 Drawing Sheets



(56)

References Cited

U.S. PATENT DOCUMENTS

2010/0151972 A1* 6/2010 Lim A63B 57/353
473/406

OTHER PUBLICATIONS

U.S. Appl. No. 29/397,353, Non Final Office Action, dated Mar. 28, 2012.

U.S. Appl. No. 29/397,353, Response Under 37 CFR 1.111, dated Apr. 6, 2012.

U.S. Appl. No. 29/397,353, Notice of Allowance, dated Apr. 30, 2012.

U.S. Appl. No. 29/459,222, Notice of Allowance, dated Apr. 23, 2014.

Spinning Top Toy, www.thingiverse.com/thing:85386, published May 7, 2013.

Metal Spinning Tops, <https://store.kaufmann-mercantile.com/products/metal-spinning-tops>, Oct. 7, 2014.

* cited by examiner

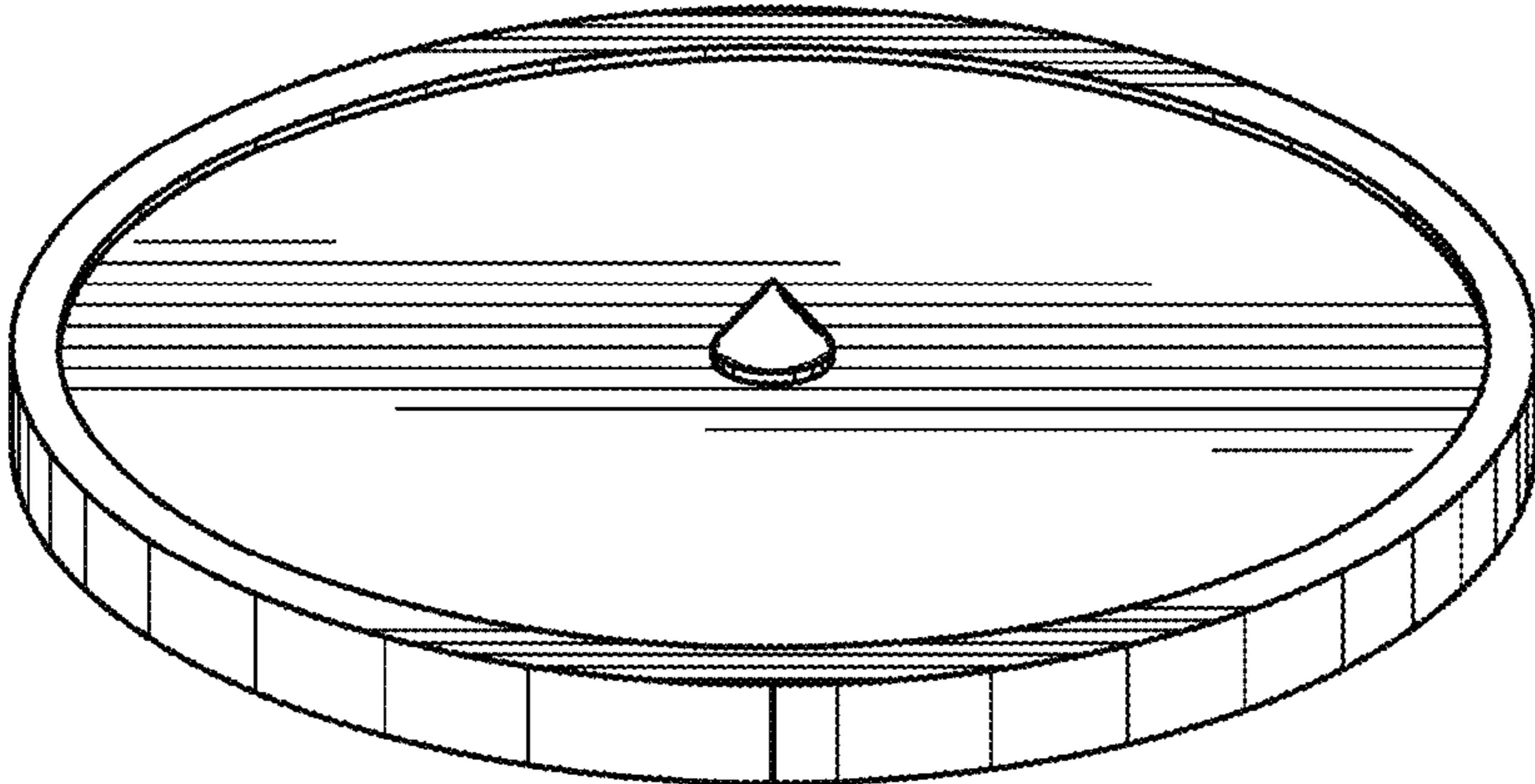


Fig. 1

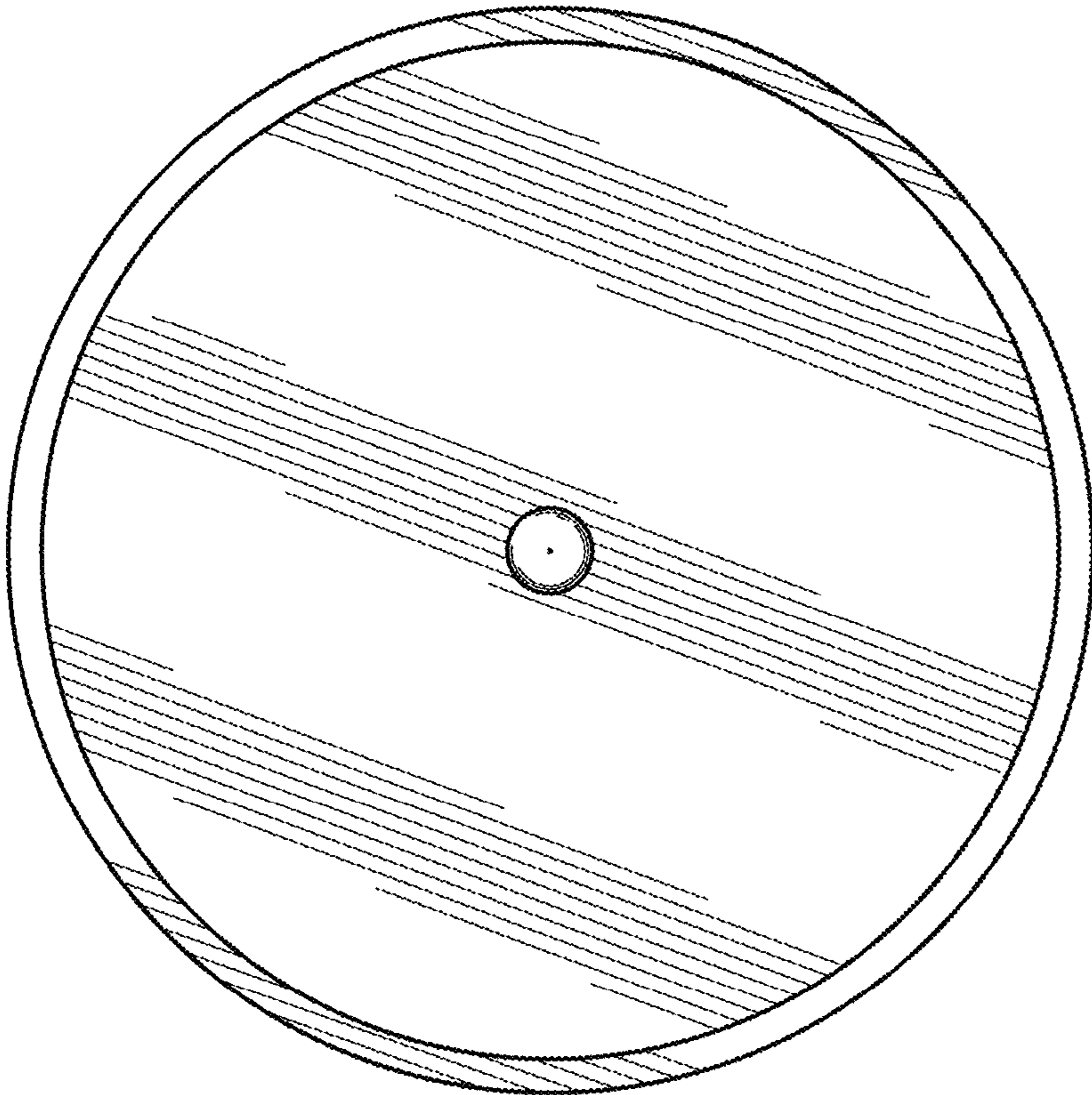


Fig. 2

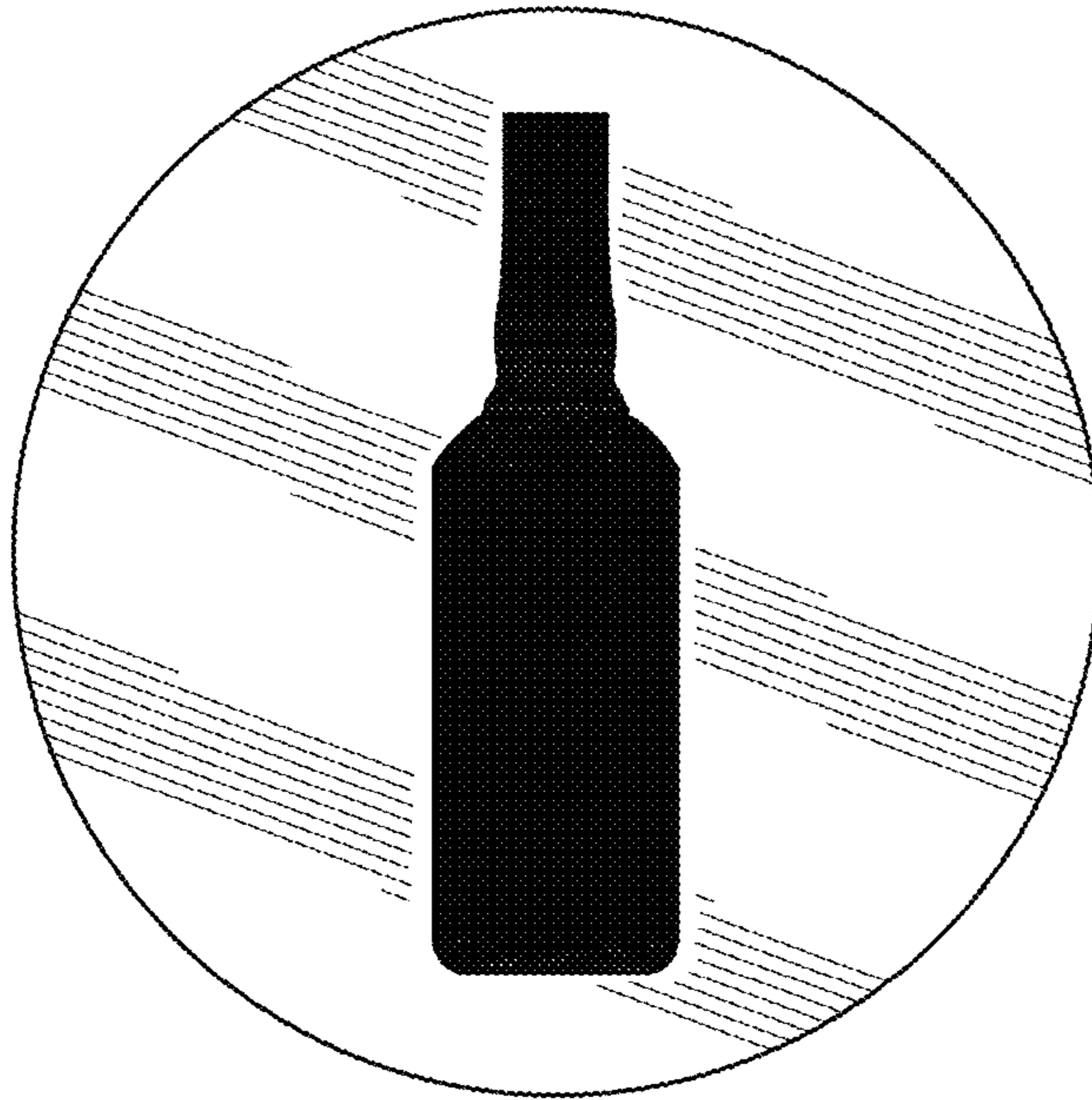


Fig. 3



Fig. 4