



US00D802689S

(12) **United States Design Patent** (10) **Patent No.:** **US D802,689 S**
Lien (45) **Date of Patent:** **** Nov. 14, 2017**

(54) **WEIGHT PLATE WITH HAND GRIPS**

(71) Applicant: **USA Sports, Inc.**, Houston, TX (US)

(72) Inventor: **Louis Lien**, Bellaire, TX (US)

(**) Term: **15 Years**

(21) Appl. No.: **29/573,227**

(22) Filed: **Aug. 3, 2016**

(51) **LOC (10) Cl.** **21-02**

(52) **U.S. Cl.**
USPC **D21/682**

(58) **Field of Classification Search**
USPC D21/681, 680, 684, 682, 694, 679, 803,
D21/770, 801; 482/93, 106, 104, 108,
482/45, 110, 44; 29/428; 446/170;
273/109; D30/160; 441/66, 131, 67;
114/345, 361; D12/316, 202; D7/608,
D7/606
CPC . A63B 21/0728; A63B 21/072; A63B 21/075;
A63B 21/06; A63B 21/0724
See application file for complete search history.

D566,209 S * 4/2008 Alessandri D21/681
D606,133 S * 12/2009 Lien D21/681
D751,157 S * 3/2016 Irwin D21/680
2002/0091044 A1* 7/2002 Lien A63B 21/06
482/106
2006/0211547 A1* 9/2006 Lien A63B 21/0728
482/93
2007/0135271 A1* 6/2007 Lien A63B 21/0724
482/93

OTHER PUBLICATIONS

VTX Dual by VTX dated no date given. Found online [Jun. 16, 2017] http://www.troybarbell.com/items.aspx?brand=vtx&cat=plate&catnumber=3&item=436&count=1&pages=0¤tPix=NaN&remainder=NaN&bt=NaN&dimLeft=undefined&dimRight=undefined&lang=en.*

* cited by examiner

Primary Examiner — Robert M Spear
Assistant Examiner — Ryan Harvey

(57) **CLAIM**

The ornamental design for a weight plate with hand grips, as shown and described.

DESCRIPTION

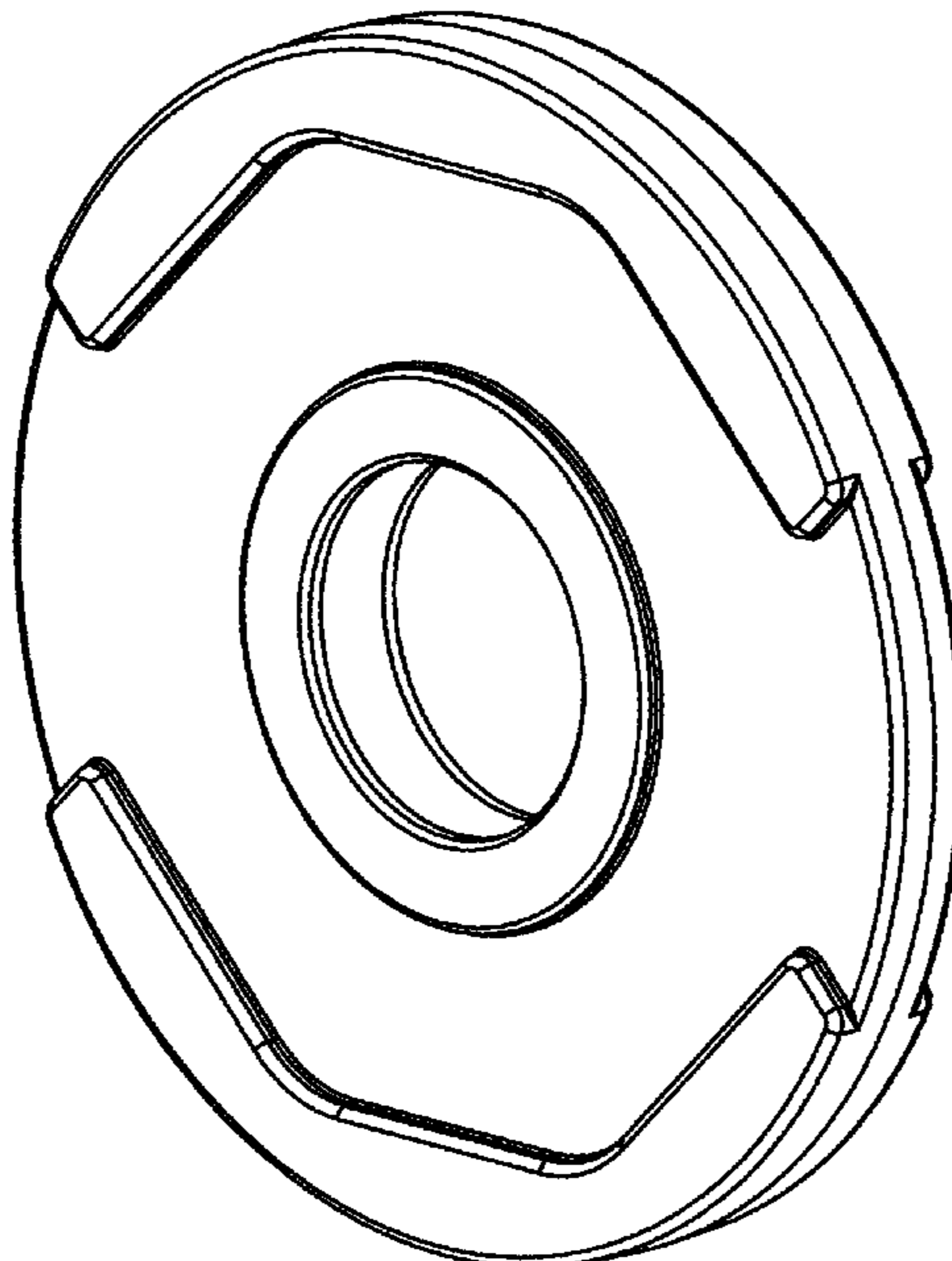
FIG. 1 is a front side view of the design according to the invention. The back side view of the present design is exactly the same as the front side view.
FIG. 2 is a top side view of the design according to the invention. The bottom side view of the present design is exactly the same as the top side view.
FIG. 3 is a left side view of the design according to the invention. The right side view of the present design is exactly the same as the left side view; and,
FIG. 4 is a perspective view of the design according to the invention.

1 Claim, 3 Drawing Sheets

(56) **References Cited**

U.S. PATENT DOCUMENTS

D355,007 S * 1/1995 Rojas D21/681
5,853,355 A * 12/1998 Standish A63B 21/0601
482/106
D406,183 S * 2/1999 Zovich D21/680
D421,076 S * 2/2000 Lincir D21/681
D442,654 S * 5/2001 Buchanan D21/680
D448,055 S * 9/2001 Lien D21/680
D451,159 S * 11/2001 Rojas D21/680
D483,083 S * 12/2003 Allshouse D21/680
D516,639 S * 3/2006 Hamilton D21/681
D566,208 S * 4/2008 Alessandri D21/681



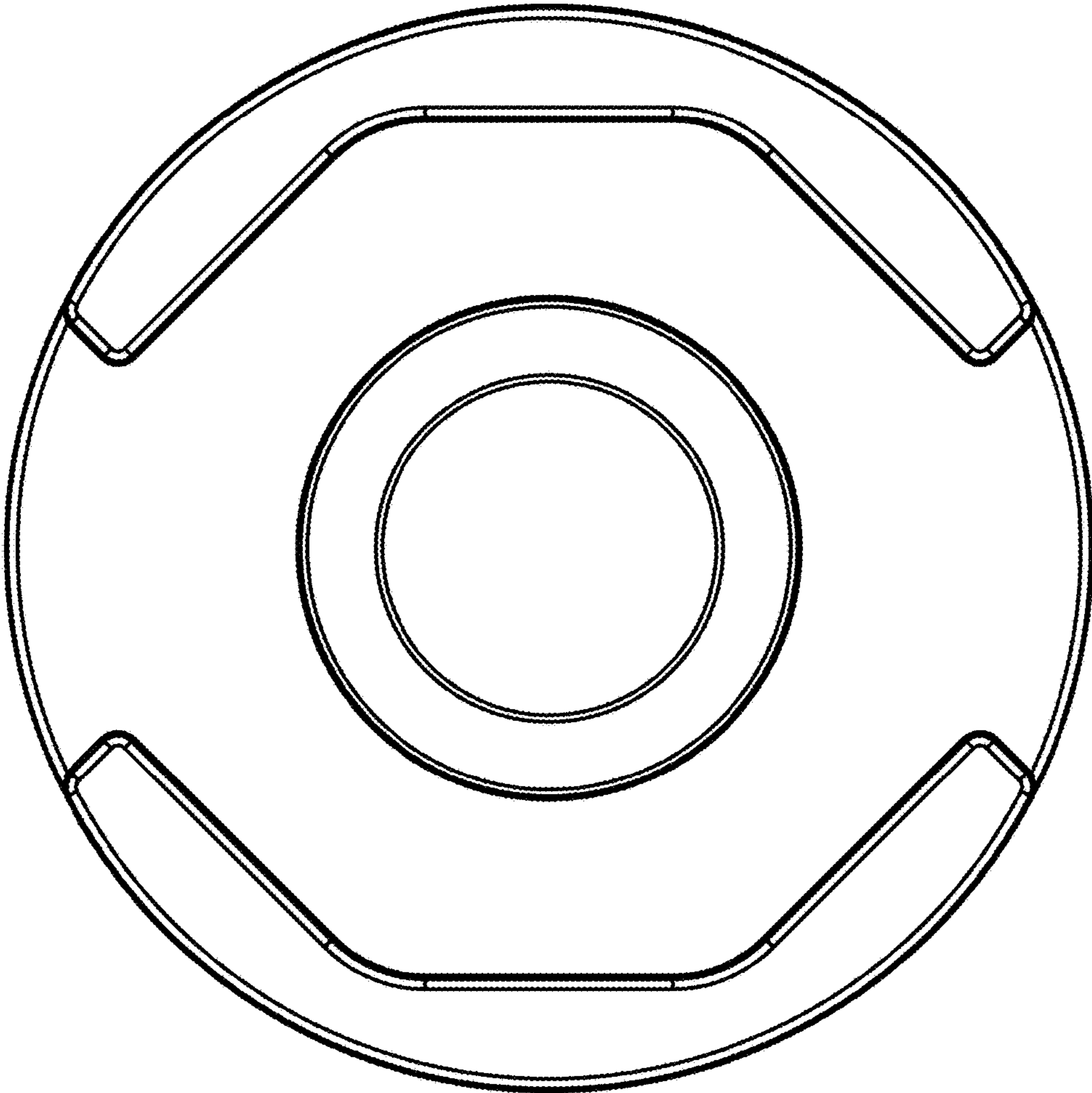


FIG. 1

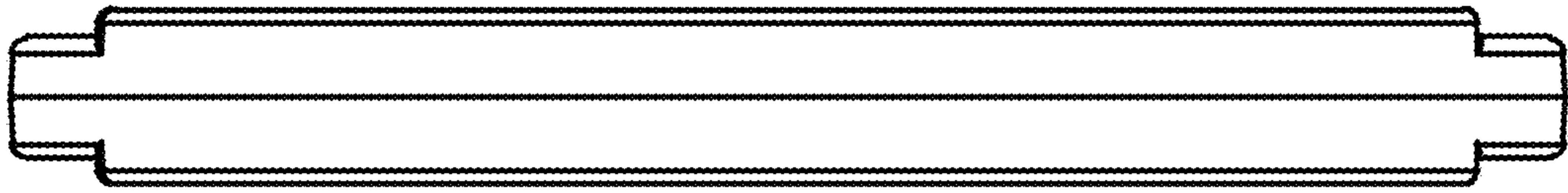


FIG. 2

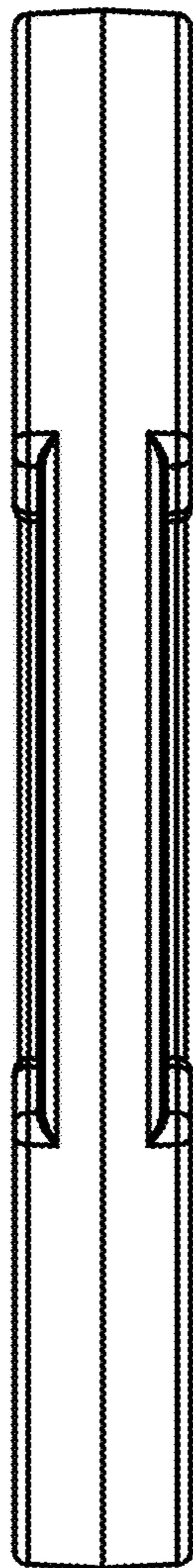


FIG. 3

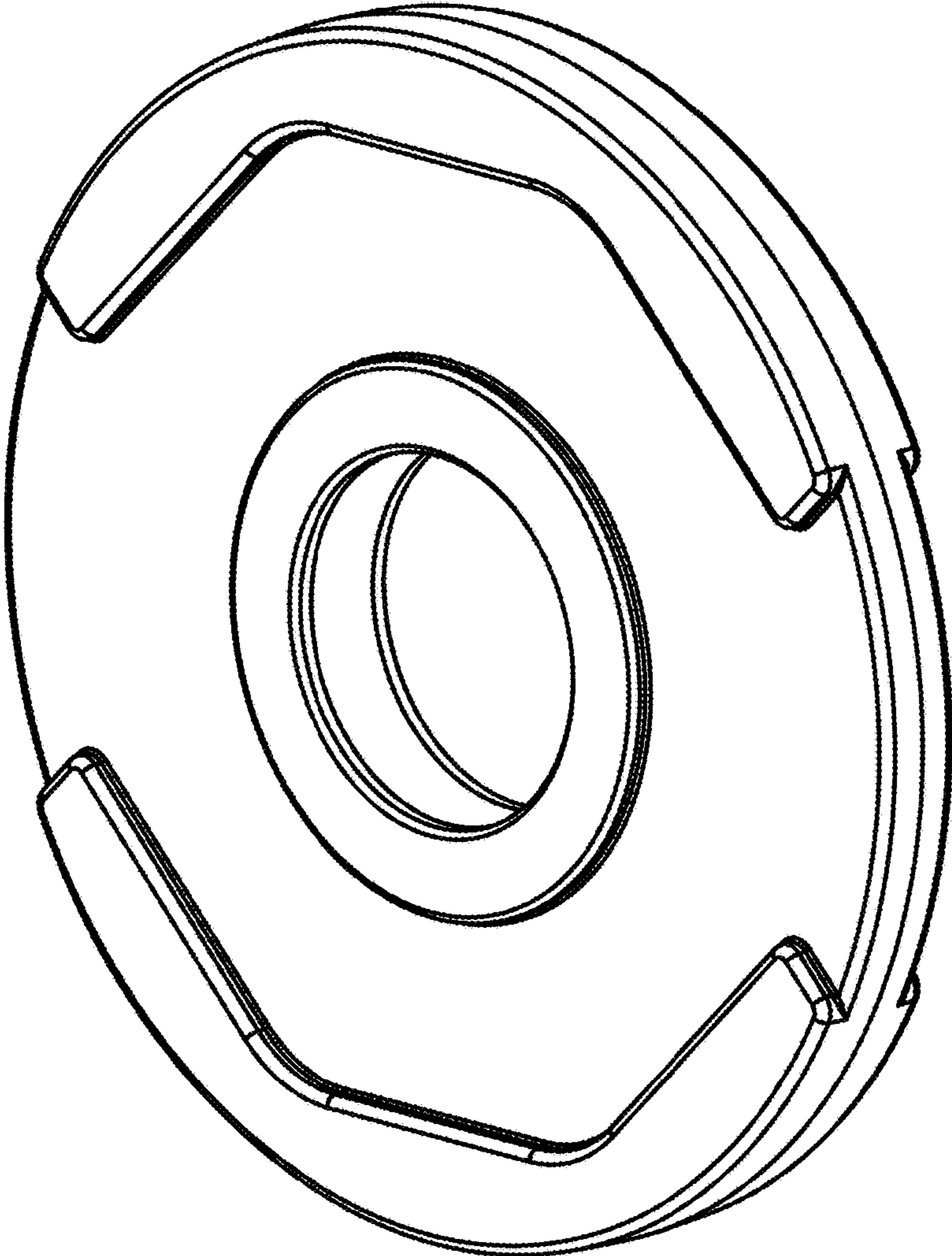


FIG. 4