



US00D802687S

(12) **United States Design Patent**
Diallo

(10) **Patent No.:** **US D802,687 S**

(45) **Date of Patent:** **** Nov. 14, 2017**

(54) **EXERCISE TRACK FOR FLEXING AND EXTENDING LEGS**

(71) Applicant: **Ibrahima Diallo**, Upper Marlboro, MD (US)

(72) Inventor: **Ibrahima Diallo**, Upper Marlboro, MD (US)

(**) Term: **15 Years**

(21) Appl. No.: **29/575,172**

(22) Filed: **Aug. 23, 2016**

(51) **LOC (10) Cl.** **21-02**

(52) **U.S. Cl.**
USPC **D21/668**

(58) **Field of Classification Search**

USPC D21/687, 686, 669, 673, 690, 691, 694, D21/676, 674, 670, 663, 662, 423, 695, D21/688; 482/70, 51, 53, 54, 140, 142, 482/123, 121, 122, 129, 130, 96, 52, 57, 482/907, 126, 131, 145, 144, 112, 134, 482/26, 27, 77, 125, 132, 92, 95, 91, 128, 482/68, 141; 601/24, 49, 40, 29, 27, 5, 601/34

CPC A63B 2208/0204; A63B 21/4047; A63B 21/0552; A63B 21/00069; A63B 22/0056; A63B 22/203; A63B 22/205

See application file for complete search history.

(56) **References Cited**

U.S. PATENT DOCUMENTS

- 2,720,396 A * 10/1955 Pfaus A63B 23/03533
482/130
- 2,924,214 A * 2/1960 Zak A61H 1/0259
482/80
- D225,342 S * 12/1972 Flick et al. D21/668
- 3,749,400 A * 7/1973 Stoffel A63B 21/023
273/DIG. 5

- 3,970,302 A * 7/1976 McFee A63B 21/008
482/112
- D263,490 S * 3/1982 Hickman D21/670
- 4,496,147 A * 1/1985 DeCloux A63B 21/0083
482/113
- 4,540,172 A * 9/1985 Evans A63B 21/018
482/120
- 4,685,666 A * 8/1987 DeCloux A63B 21/0083
482/113
- D326,695 S * 6/1992 Evans D21/670

(Continued)

Primary Examiner — Robert M Spear

Assistant Examiner — Ryan Harvey

(57) **CLAIM**

I claim the ornamental design for an exercise track for flexing and extending legs, as shown and described.

DESCRIPTION

FIG. 1 is a front/top isometric view of an exercise apparatus embodying my design.

FIG. 2 is a top/side isometric view of an exercise apparatus device embodying my design.

FIG. 3 is a rear isometric view of an exercise track for flexing and extending legs embodying my design.

FIG. 4 is a top view of an exercise track for flexing and extending legs embodying my design.

FIG. 5 is a bottom view of an exercise apparatus device cover embodying my design.

FIG. 6 is a left side elevation view of an exercise apparatus device embodying my design.

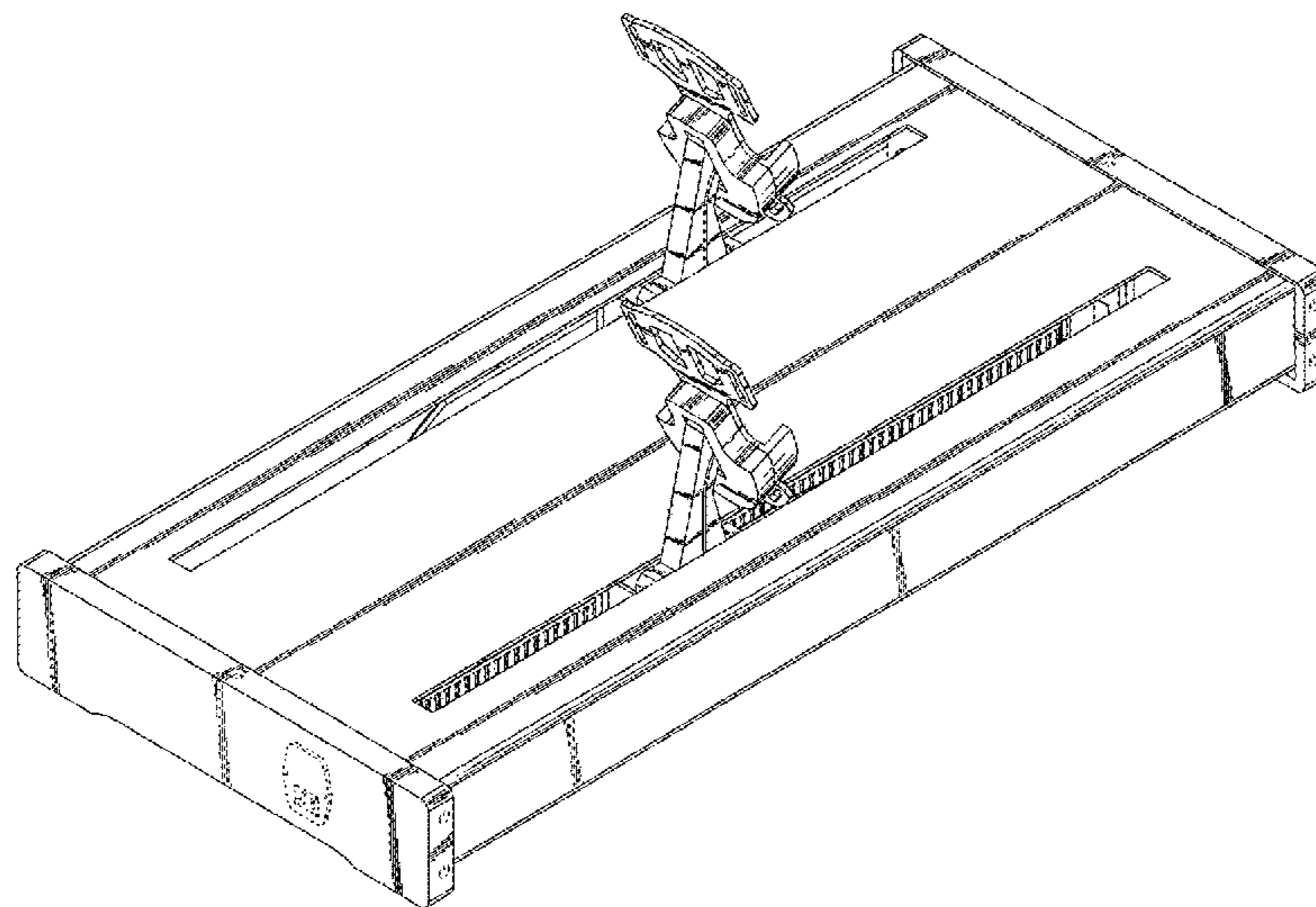
FIG. 7 is a right side elevation view of an exercise track for flexing and extending legs embodying my design.

FIG. 8 is a front elevation view of an exercise track for flexing and extending legs embodying my design; and,

FIG. 9 is a rear elevation view of an exercise track for flexing and extending legs embodying my design.

The broken lines represent boundaries of the claimed design and form no part thereof.

1 Claim, 7 Drawing Sheets



(56)

References Cited

U.S. PATENT DOCUMENTS

5,195,935 A * 3/1993 Fencel A63B 21/00178
485/52
5,279,530 A * 1/1994 Hess A63B 21/0552
482/121
5,499,958 A * 3/1996 Hess A63B 21/0552
482/123
D369,390 S * 4/1996 Haber D21/670
6,514,180 B1 * 2/2003 Rawls A63B 21/005
482/51
D622,787 S * 8/2010 Masterson D21/668
D623,244 S * 9/2010 Hoffman D21/668
2004/0167000 A1 * 8/2004 Schwarz A63B 23/03541
482/123
2009/0098983 A1 * 4/2009 Hoffman A63B 21/055
482/70
2014/0094721 A1 * 4/2014 Diallo A61H 1/024
601/5

* cited by examiner

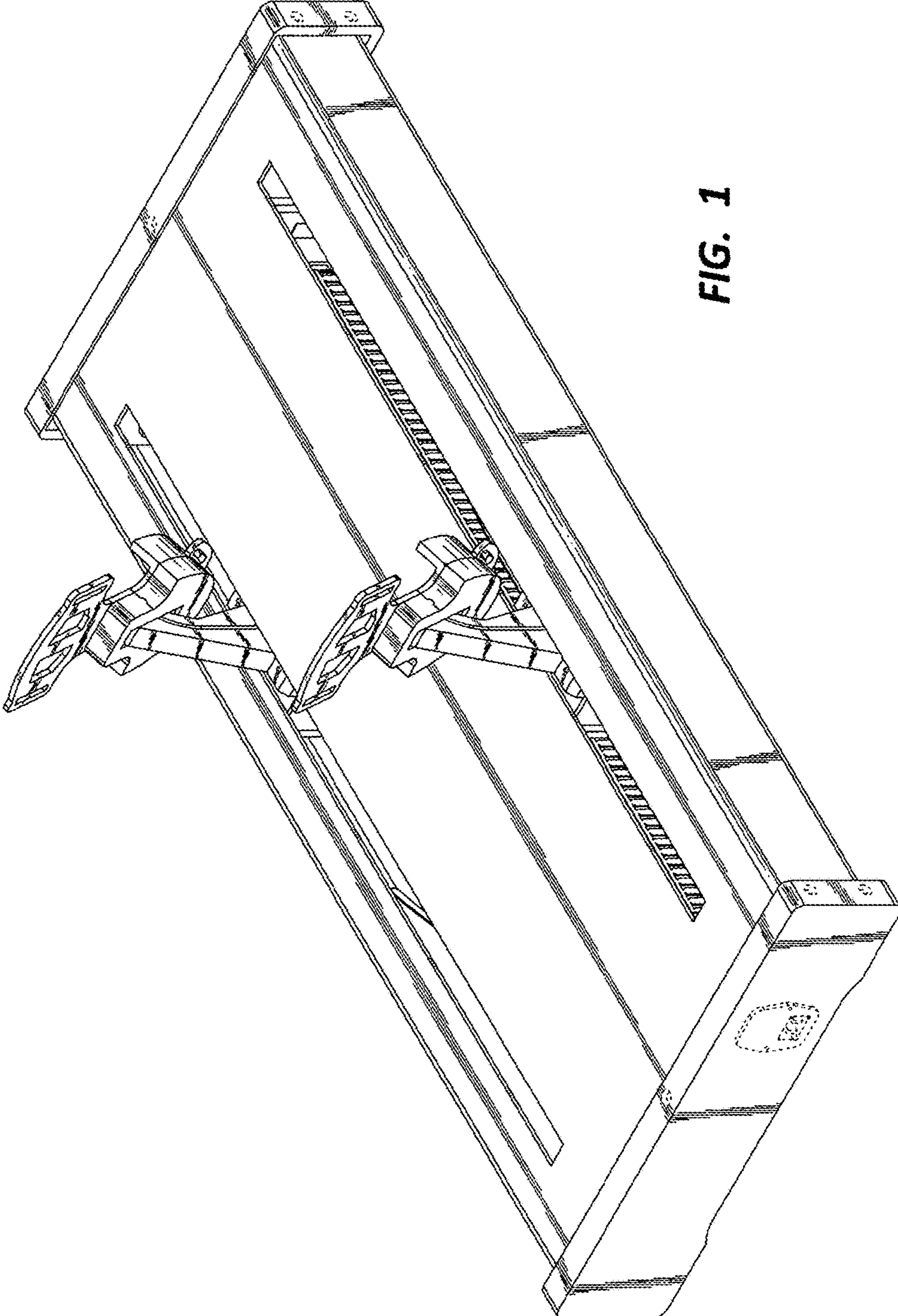


FIG. 1

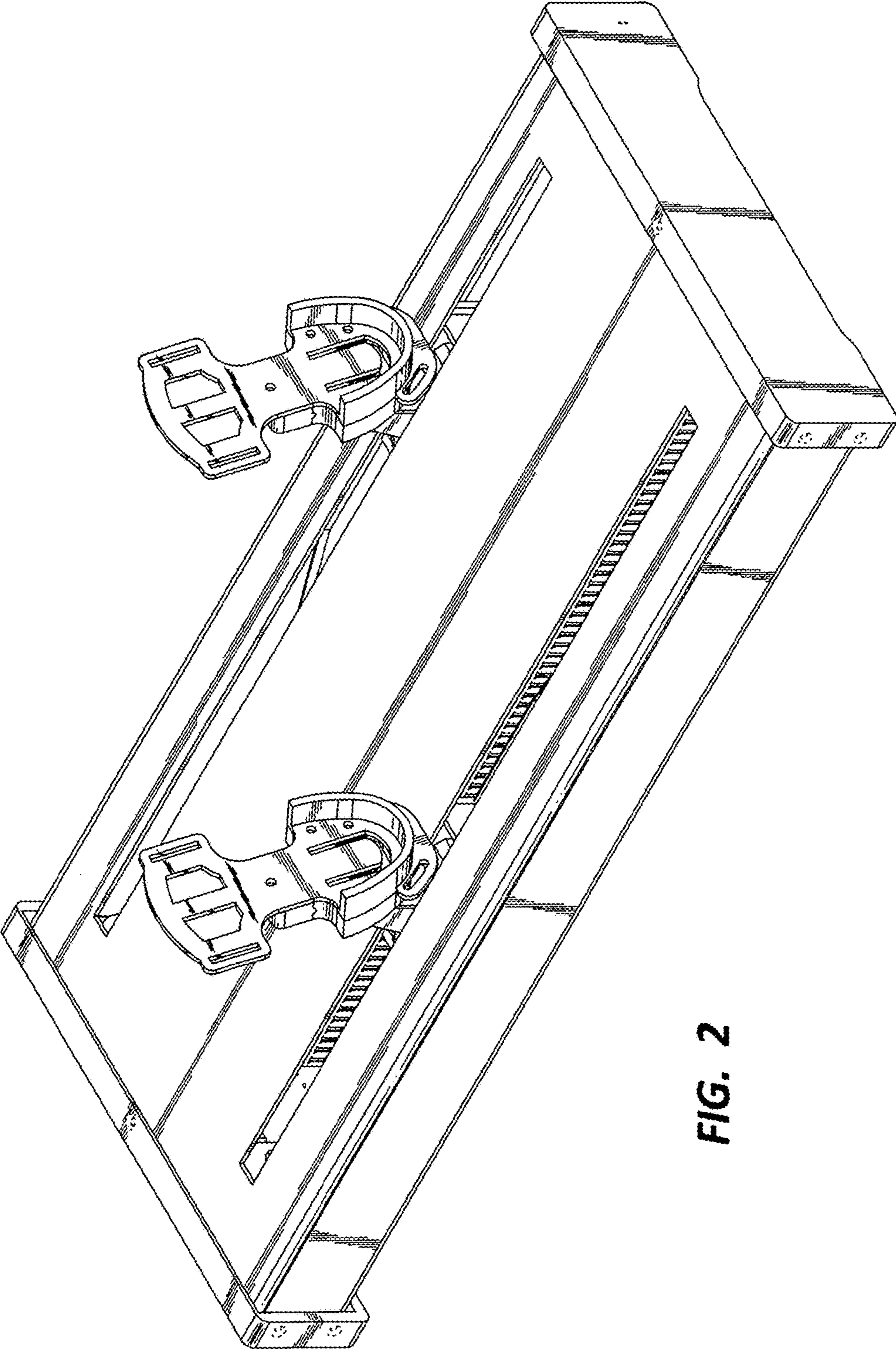


FIG. 2

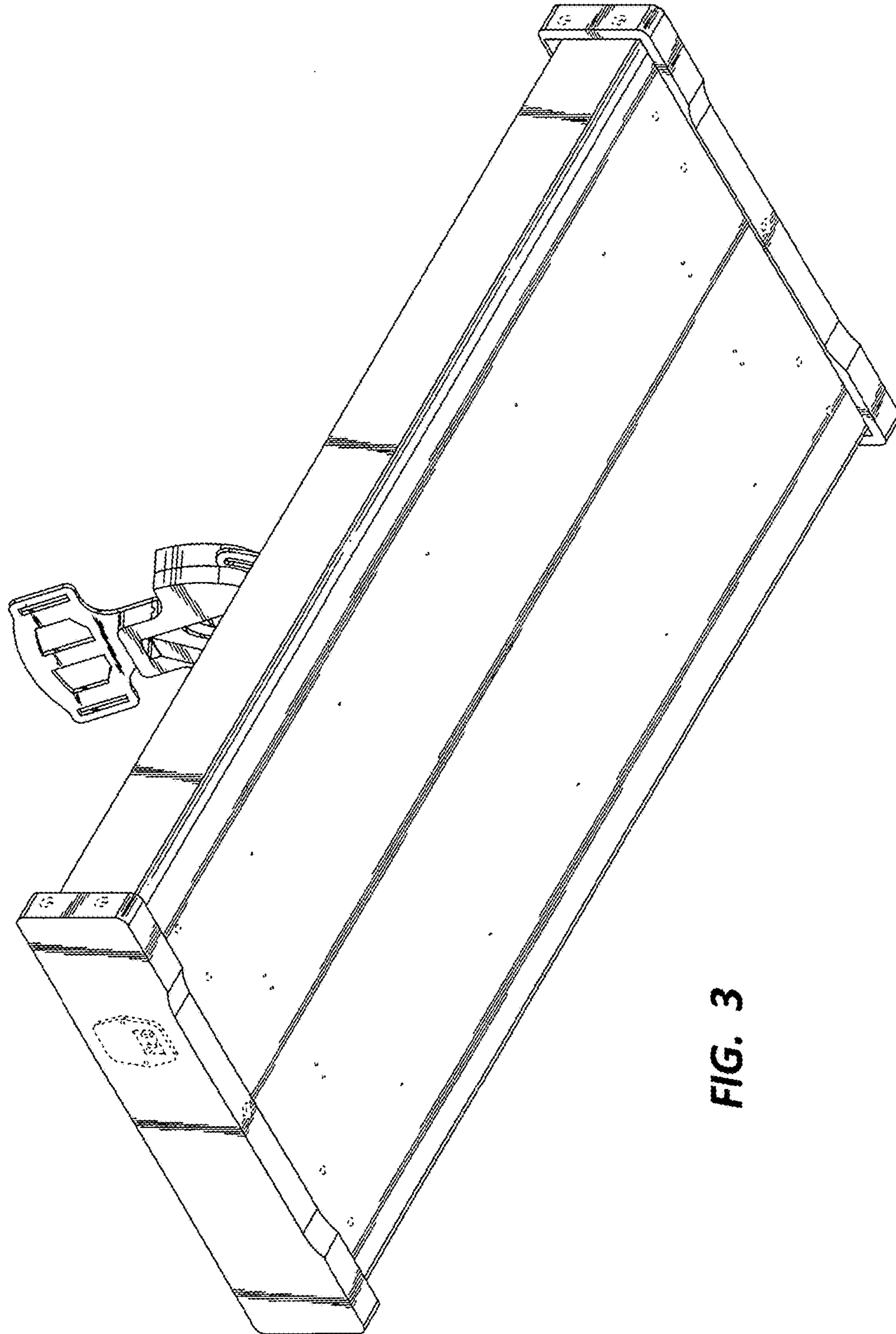


FIG. 3

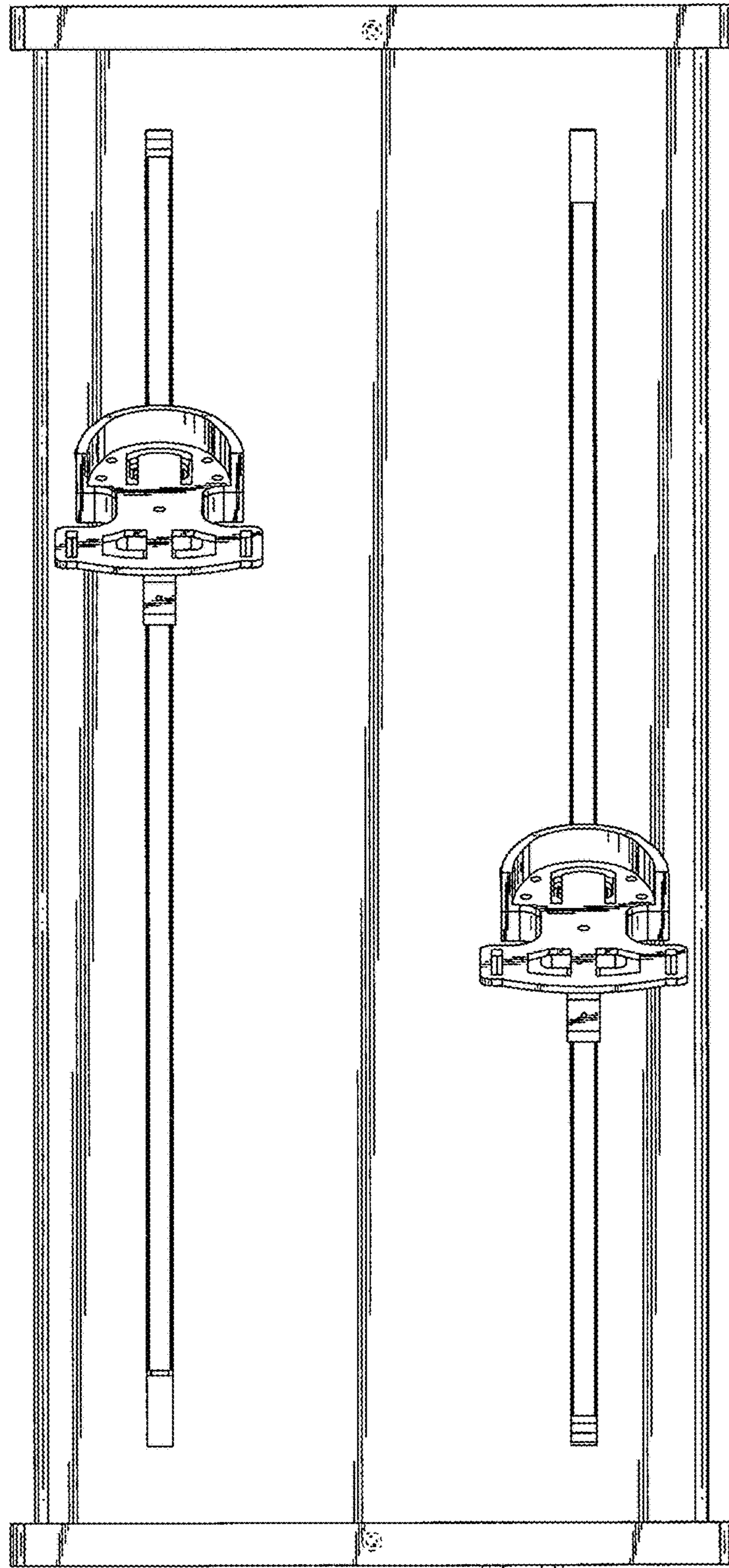


FIG. 4

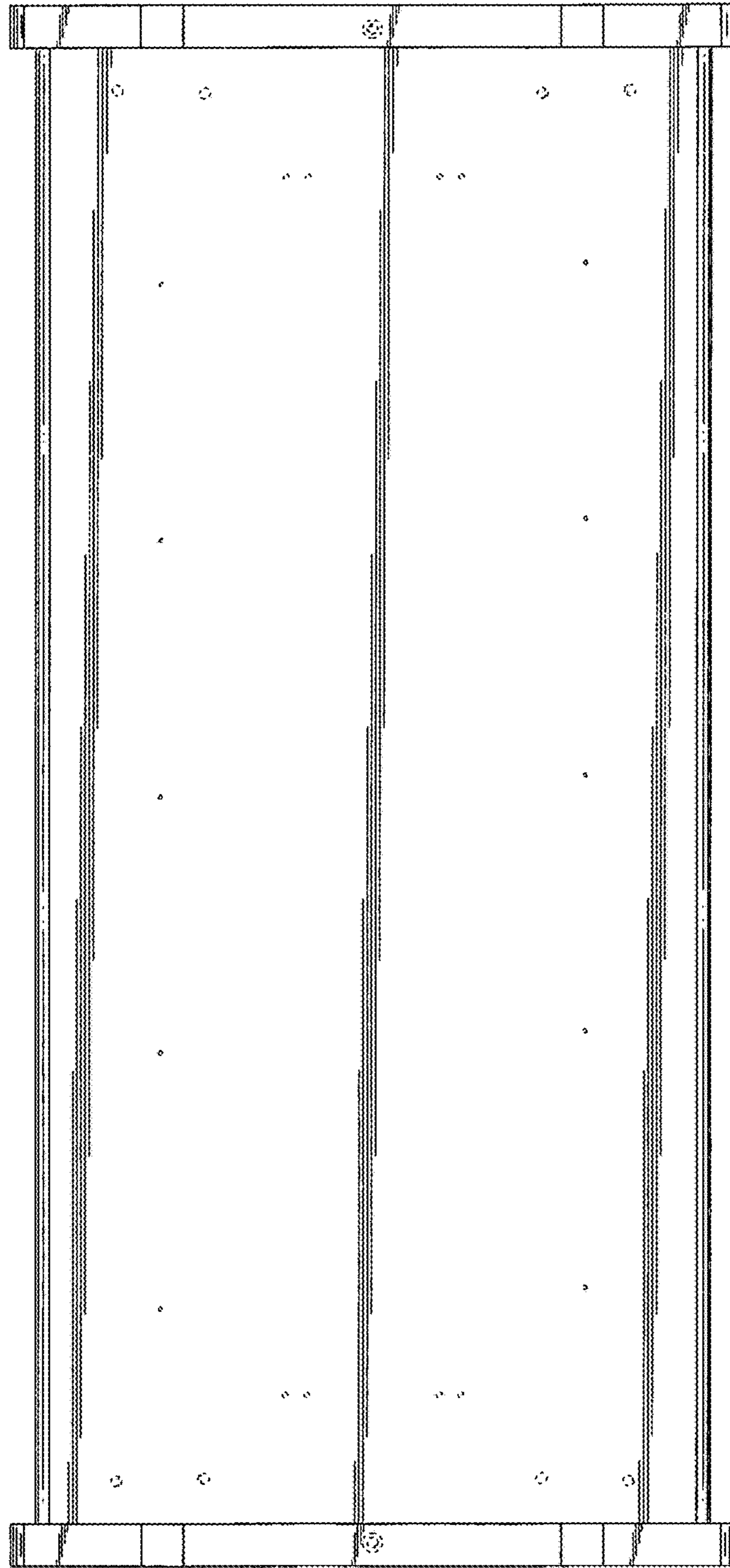


FIG. 5

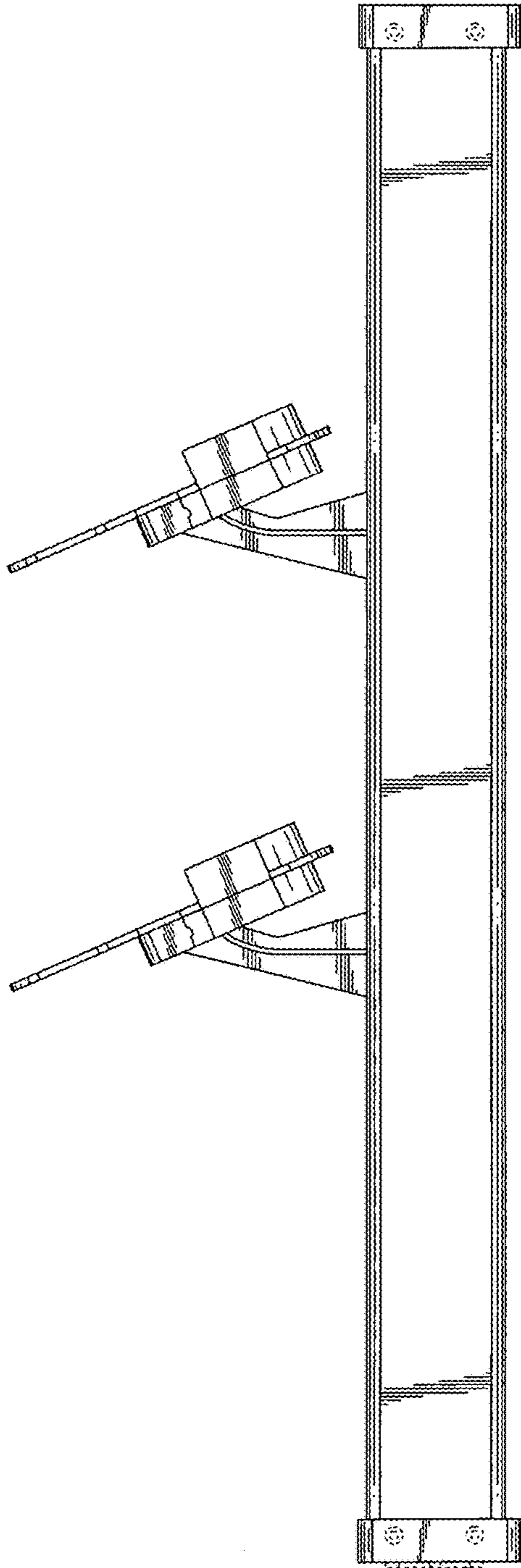


FIG. 6

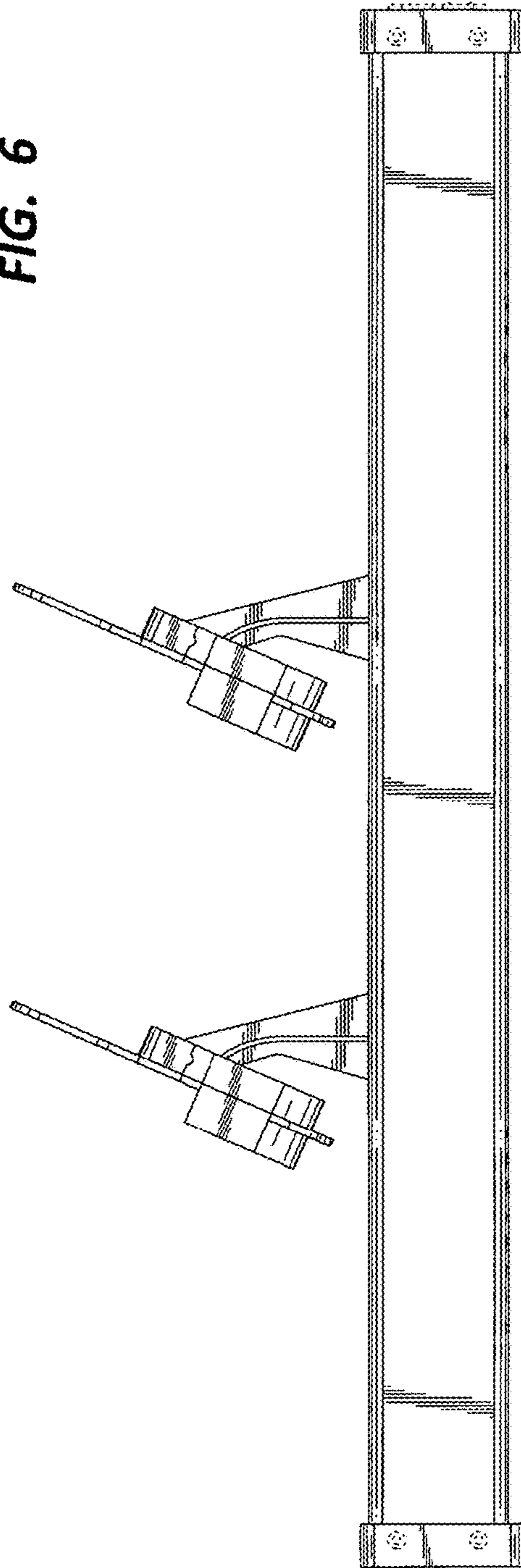


FIG. 7

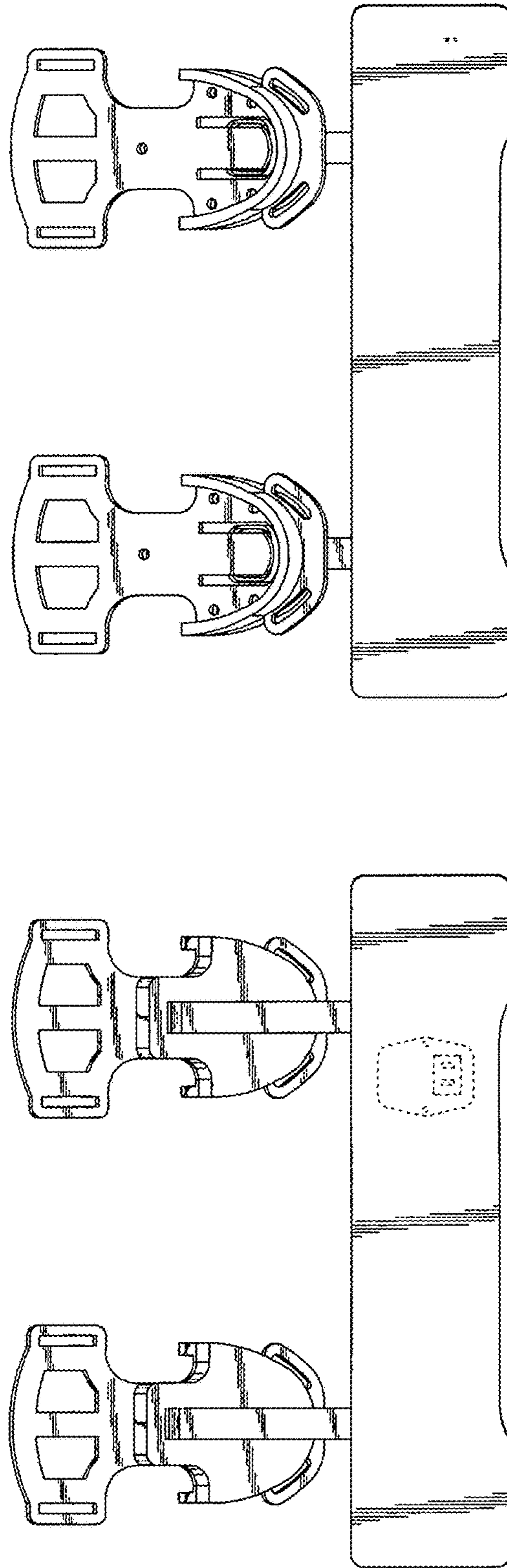


FIG. 9

FIG. 8