



US00D802682S

(12) **United States Design Patent**
LaBonty

(10) **Patent No.:** **US D802,682 S**

(45) **Date of Patent:** **** Nov. 14, 2017**

(54) **ELECTRIC SCOOTER**

(71) Applicant: **Phillip LaBonty**, Newport Beach, CA
(US)

(72) Inventor: **Phillip LaBonty**, Newport Beach, CA
(US)

(**) Term: **15 Years**

(21) Appl. No.: **29/553,889**

(22) Filed: **Feb. 5, 2016**

(51) **LOC (10) Cl.** **21-01**

(52) **U.S. Cl.**
USPC **D21/423**

(58) **Field of Classification Search**

USPC D21/419, 421, 423, 426-428, 435, 760,
D21/765, 771; D12/1, 8, 108, 112, 113
CPC . B62K 3/002; B62K 9/00; B62K 9/02; B62K
13/00; B62K 2202/00

See application file for complete search history.

(56) **References Cited**

U.S. PATENT DOCUMENTS

6,299,186 B1 * 10/2001 Kao B62K 3/002
280/11.28
D654,965 S * 2/2012 Herlitz D21/423

D672,400 S * 12/2012 Pizzi D21/423
8,632,084 B2 * 1/2014 Lovley, II B62K 3/002
280/87.041
D698,868 S * 2/2014 Chan D21/423
D755,305 S * 5/2016 Edlauer D21/423
2002/0096842 A1 * 7/2002 Chang A63C 17/18
280/7.12

* cited by examiner

Primary Examiner — Cynthia M Chin

(74) *Attorney, Agent, or Firm* — Eric Karich; Karich &
Associates

(57) **CLAIM**

The ornamental design for an “electric scooter,” as shown
and described.

DESCRIPTION

FIG. 1 is a perspective view of an electric scooter, showing
my new design;

FIG. 2 is a front elevational view thereof;

FIG. 3 is a rear elevational view thereof;

FIG. 4 is a left side elevational view thereof

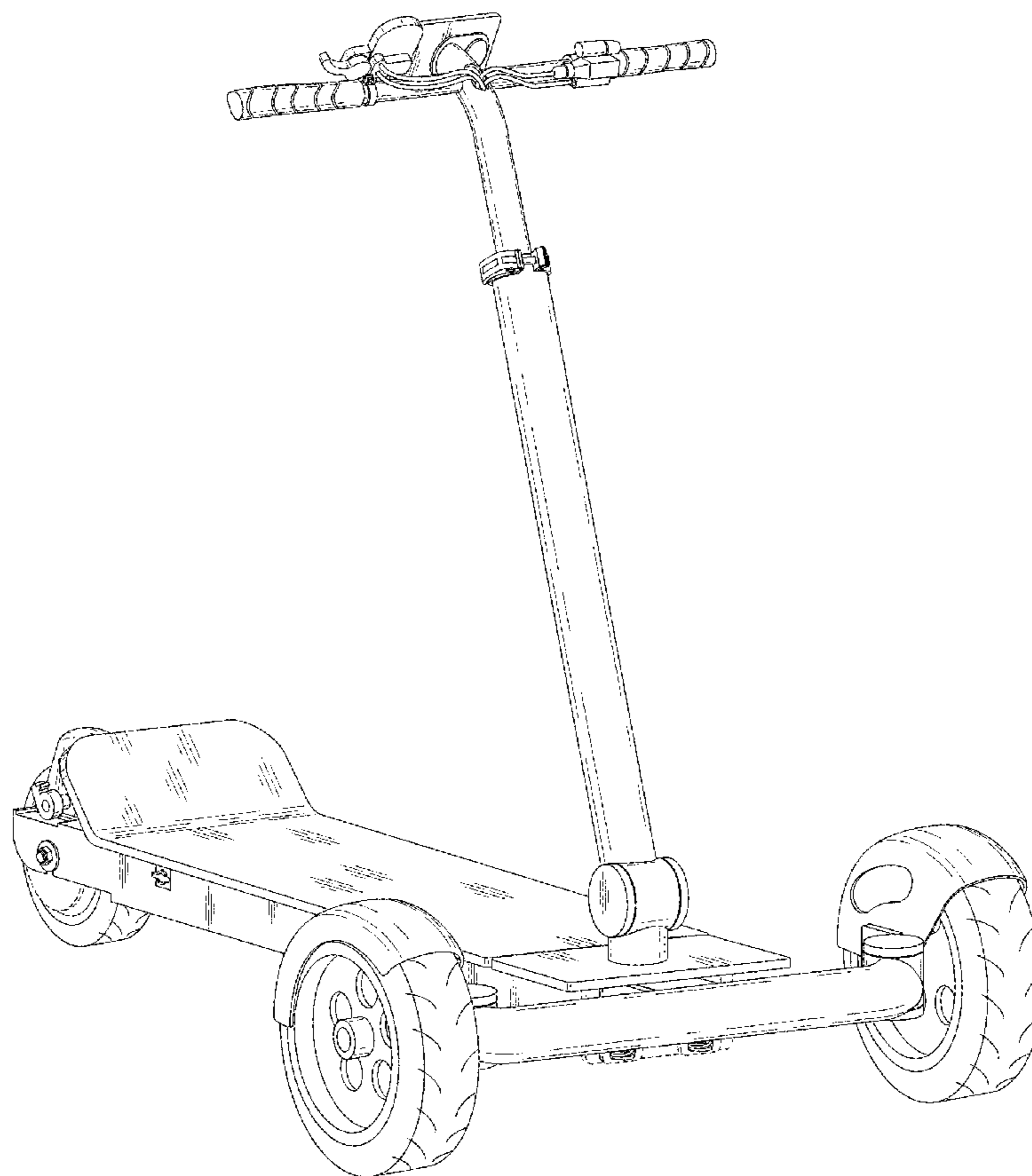
FIG. 5 is a right side elevational view thereof;

FIG. 6 is a top plan view thereof; and,

FIG. 7 is a bottom plan view thereof.

The broken lines depict portions of the article that form no
part of the claimed design.

1 Claim, 7 Drawing Sheets



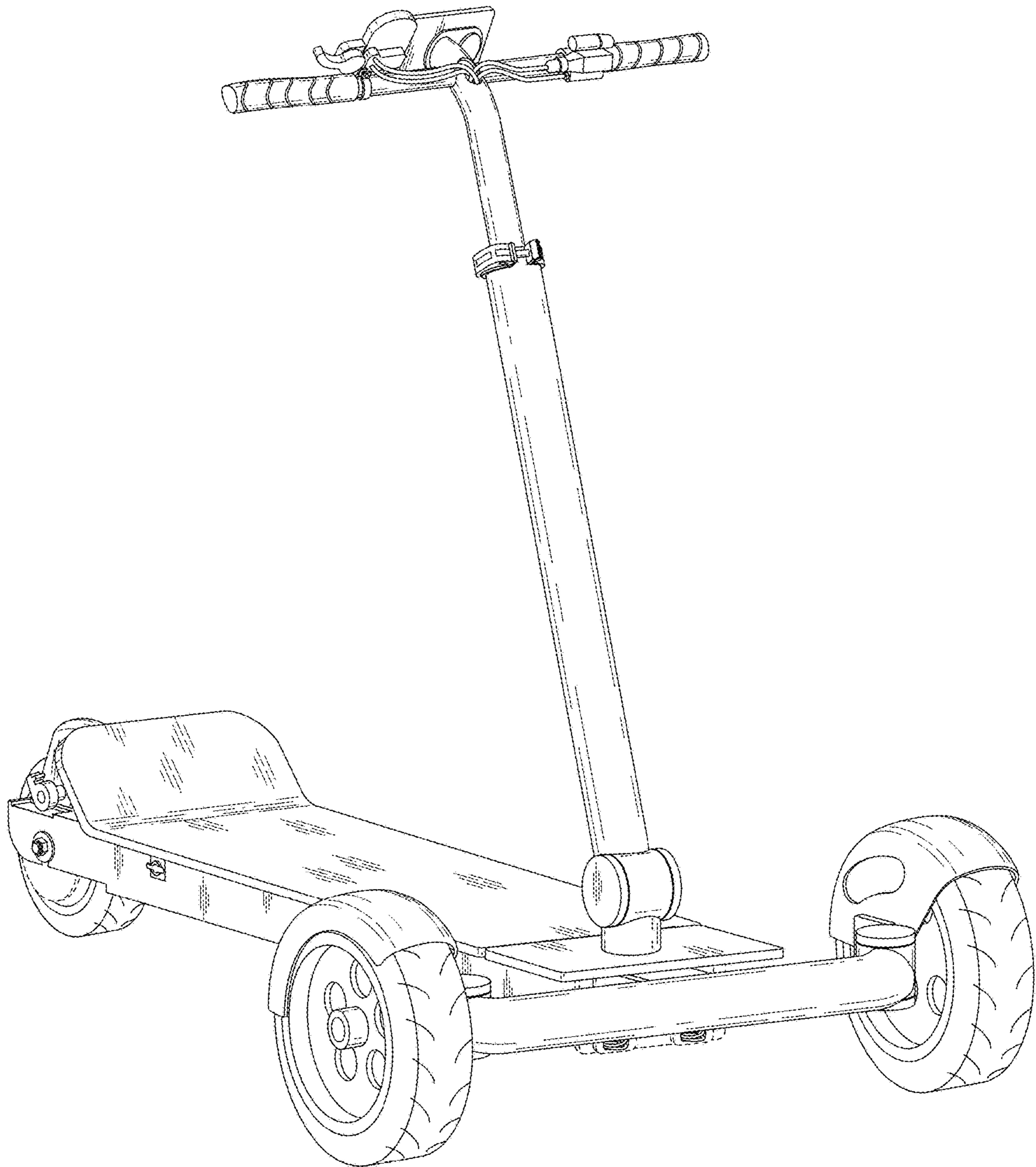


Fig. 1

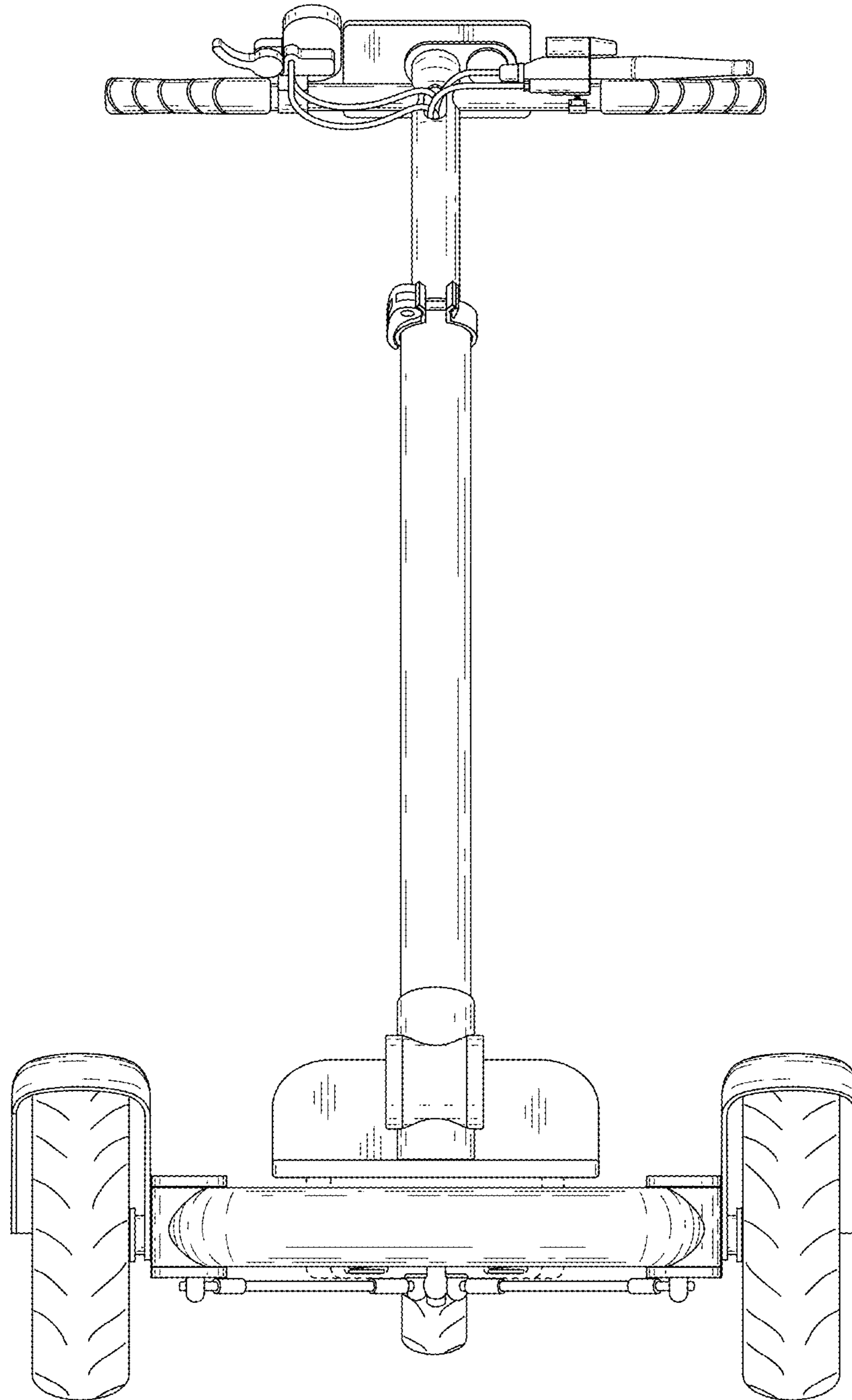


Fig. 2

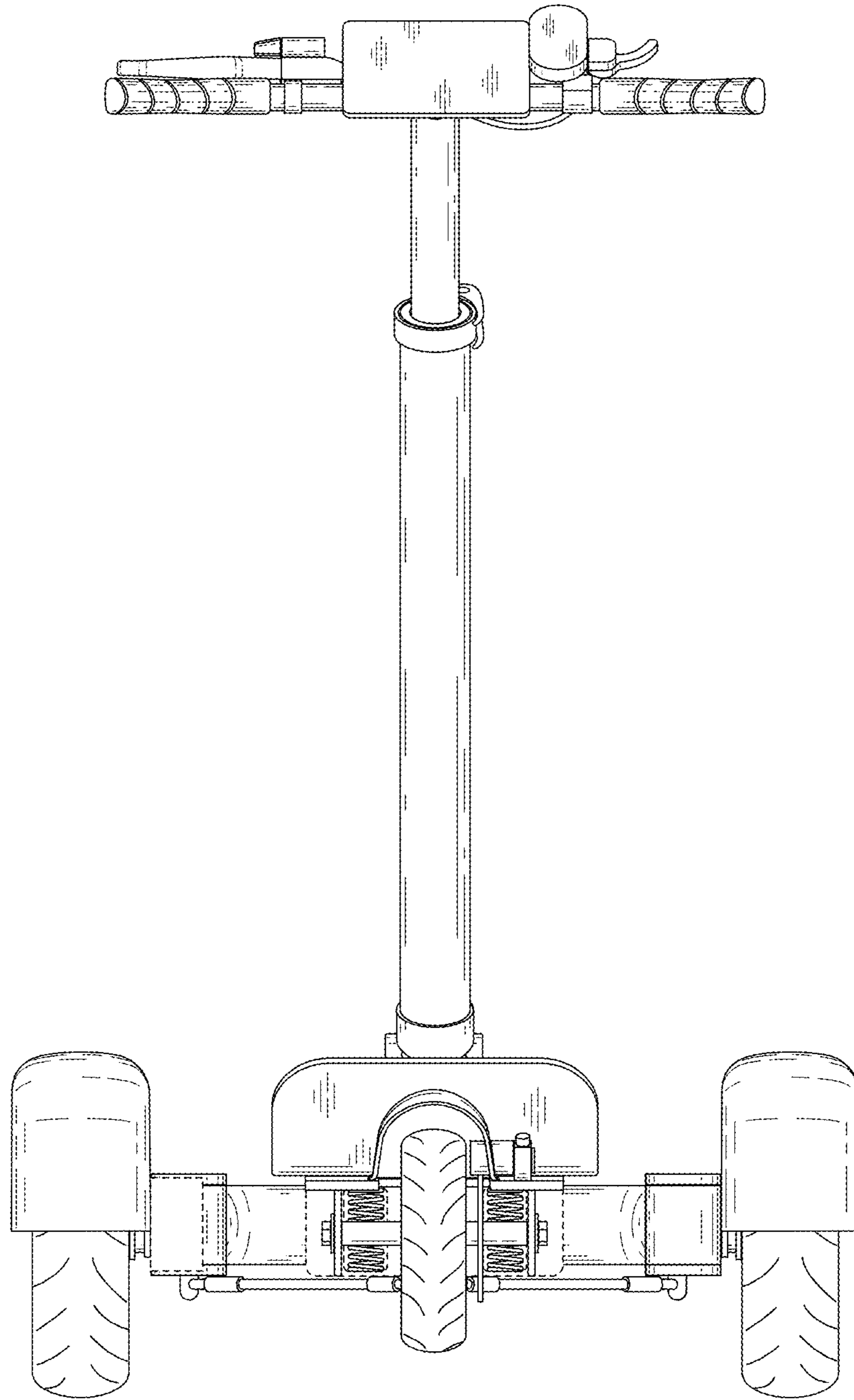


Fig. 3

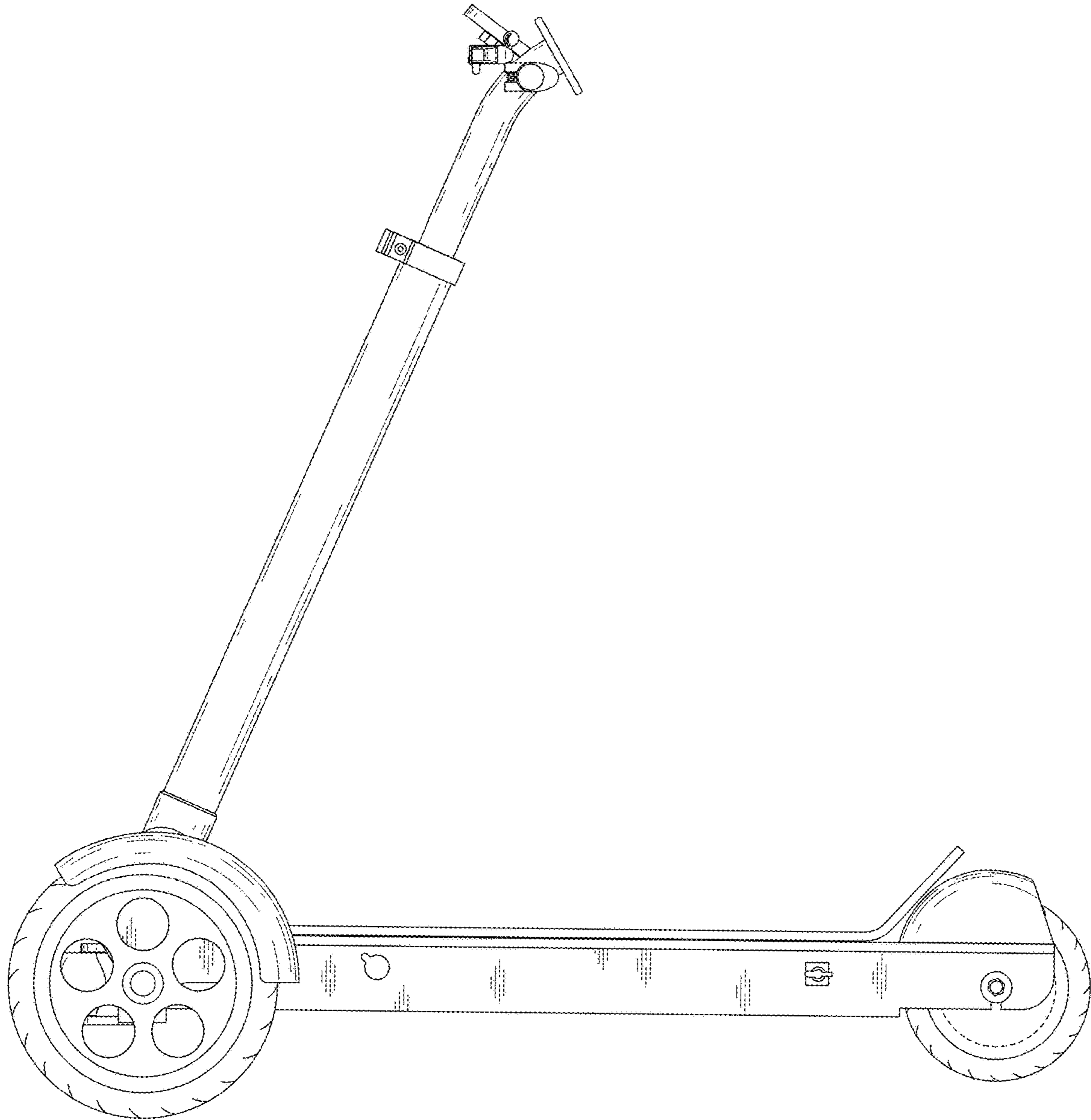


Fig. 4

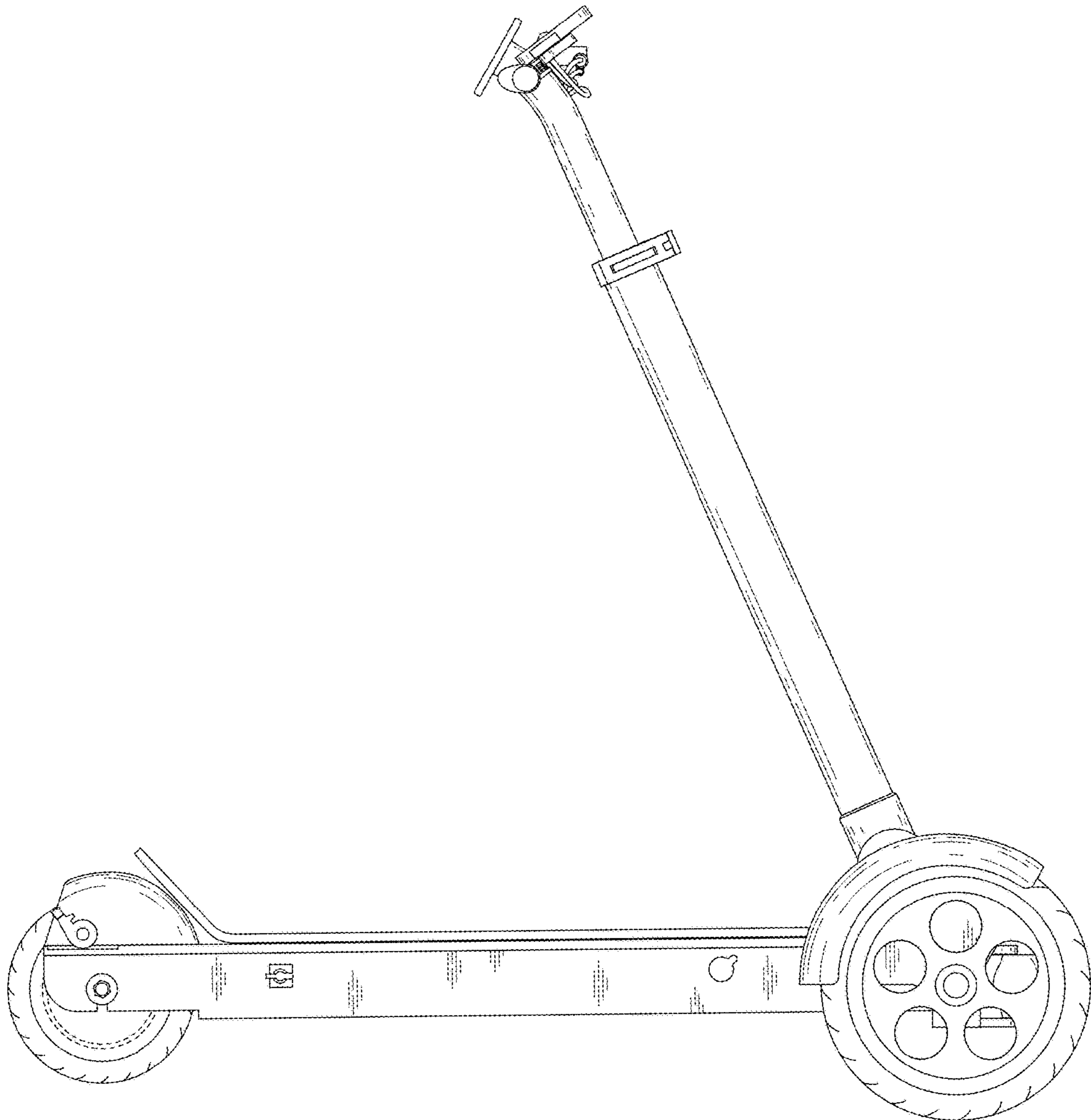


Fig. 5

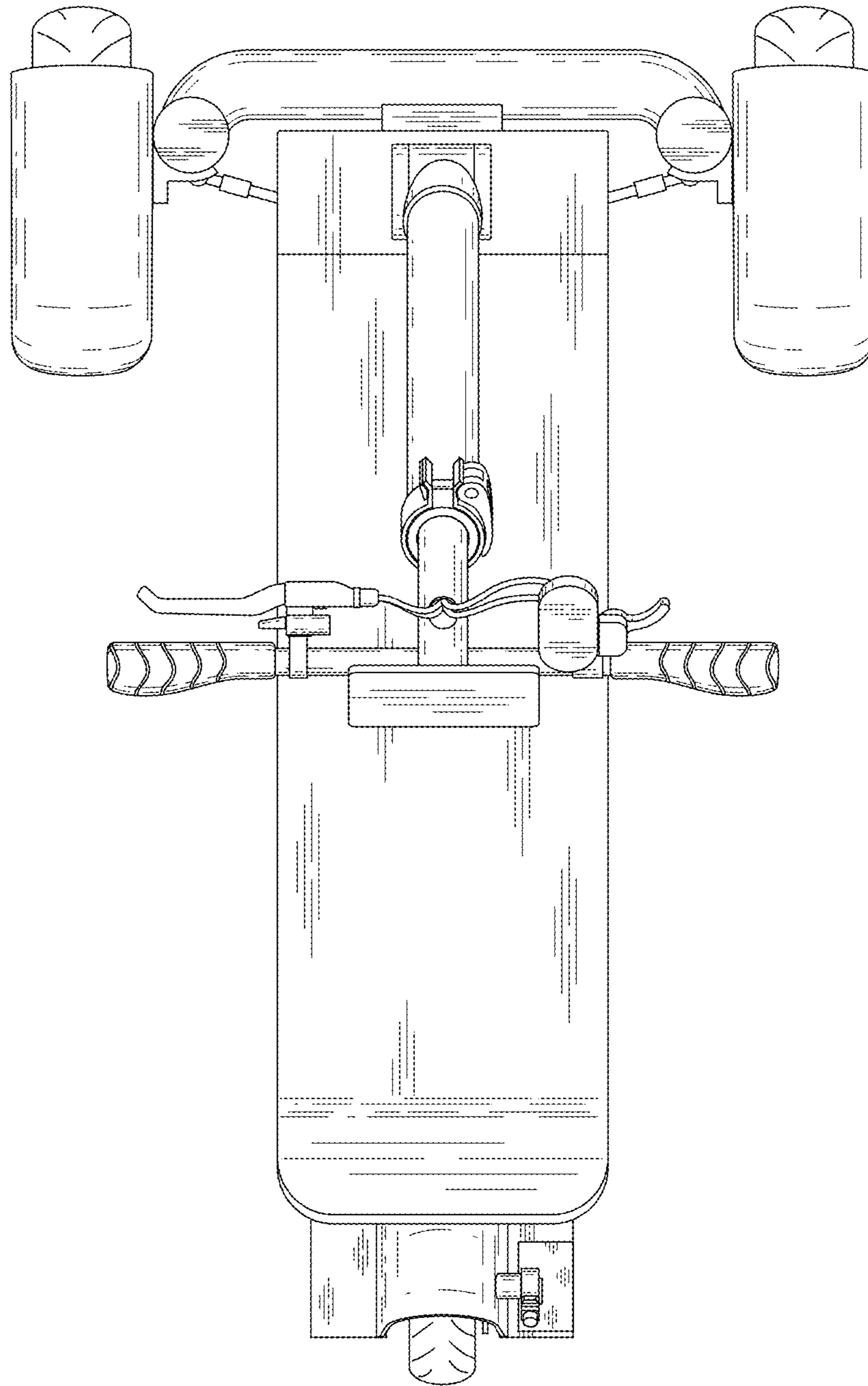


Fig. 6

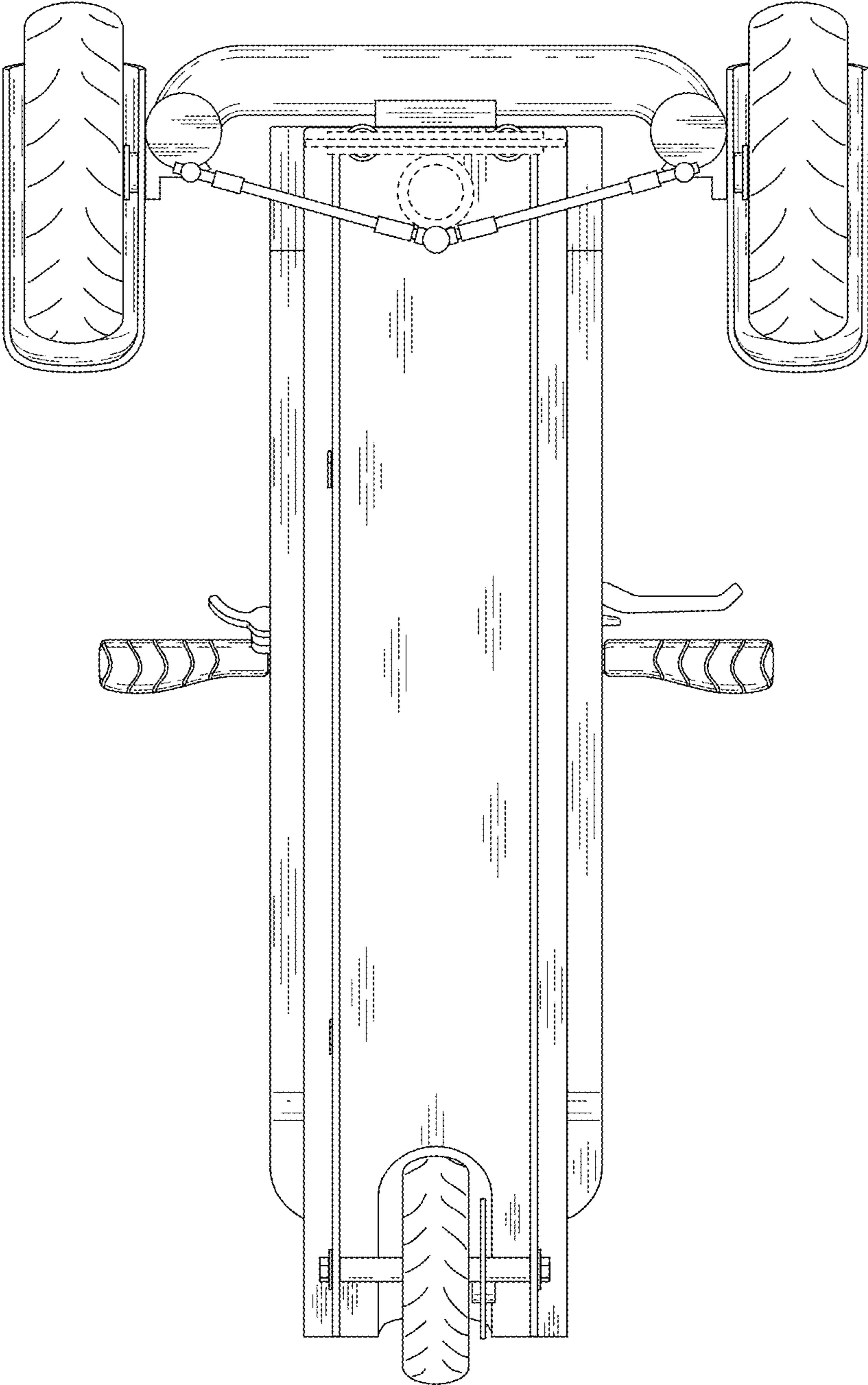


Fig. 7