



US00D802681S

(12) **United States Design Patent** (10) **Patent No.:** **US D802,681 S**
Falkowski, II et al. (45) **Date of Patent:** **** Nov. 14, 2017**

(54) **DART PROJECTILE**
(71) Applicant: **Hasbro, Inc.**, Pawtucket, RI (US)
(72) Inventors: **John Michael Falkowski, II**, Kingston, MA (US); **Zachary Jordan Jagla**, San Jose, CA (US)
(73) Assignee: **Hasbro, Inc.**, Pawtucket, RI (US)

5,290,041 A 3/1994 Kettelson
5,928,049 A 7/1999 Hudson
6,010,419 A 1/2000 Rappaport et al.
6,042,494 A 3/2000 Rappaport et al.
6,159,117 A 12/2000 Chan
D437,620 S * 2/2001 Smith D21/387
6,186,071 B1 2/2001 Fry
6,595,880 B2 7/2003 Becker
7,001,292 B1 2/2006 Rappaport
(Continued)

(**) Term: **15 Years**

OTHER PUBLICATIONS

(21) Appl. No.: **29/581,034**
(22) Filed: **Oct. 14, 2016**
(51) **LOC (10) Cl.** **21-01**
(52) **U.S. Cl.**
USPC **D21/387**
(58) **Field of Classification Search**
USPC D21/300, 334, 335, 363, 365, 376–383,
D21/385, 386, 388, 389, 392–394, 396,
D21/397, 483, 484, 488–491, 493, 494,
D21/506, 507, 576, 621, 627;
D25/113–115, 118
CPC A63F 2001/001; A63F 2001/003; A63F
2001/005; A63F 2001/006; A63F 1/062;
A63F 1/067; A63F 1/08; A63F 1/10;
A63F 1/12; A63F 1/14; A63F 7/0017;
A63F 7/0023; A63F 9/20
See application file for complete search history.

Nerf Accustrike Series Officially Announced. Product review [online]. Blaster Hub, 2016 [retrieved on Sep. 8, 2017]. Retrieved from internet: URL: <https://www.blasterhub.com/2016/10/nerf-accustrike-series-officially-announced/>. (Year: 2016).*

Primary Examiner — George D. Kirschbaum
Assistant Examiner — Joseph J Kukella
(74) *Attorney, Agent, or Firm* — Perry Hoffman

(56) **References Cited**

U.S. PATENT DOCUMENTS

D33,153 S * 9/1900 Cornell D21/385
2,125,591 A 8/1938 Smith
3,026,864 A 3/1962 Gray
3,108,395 A 10/1963 Goldfarb
D217,479 S * 5/1970 Odette 273/288
3,801,102 A * 4/1974 Lohr F42B 6/003
29/450
D253,663 S * 12/1979 Cagan D21/387
5,273,293 A 12/1993 Lekavich

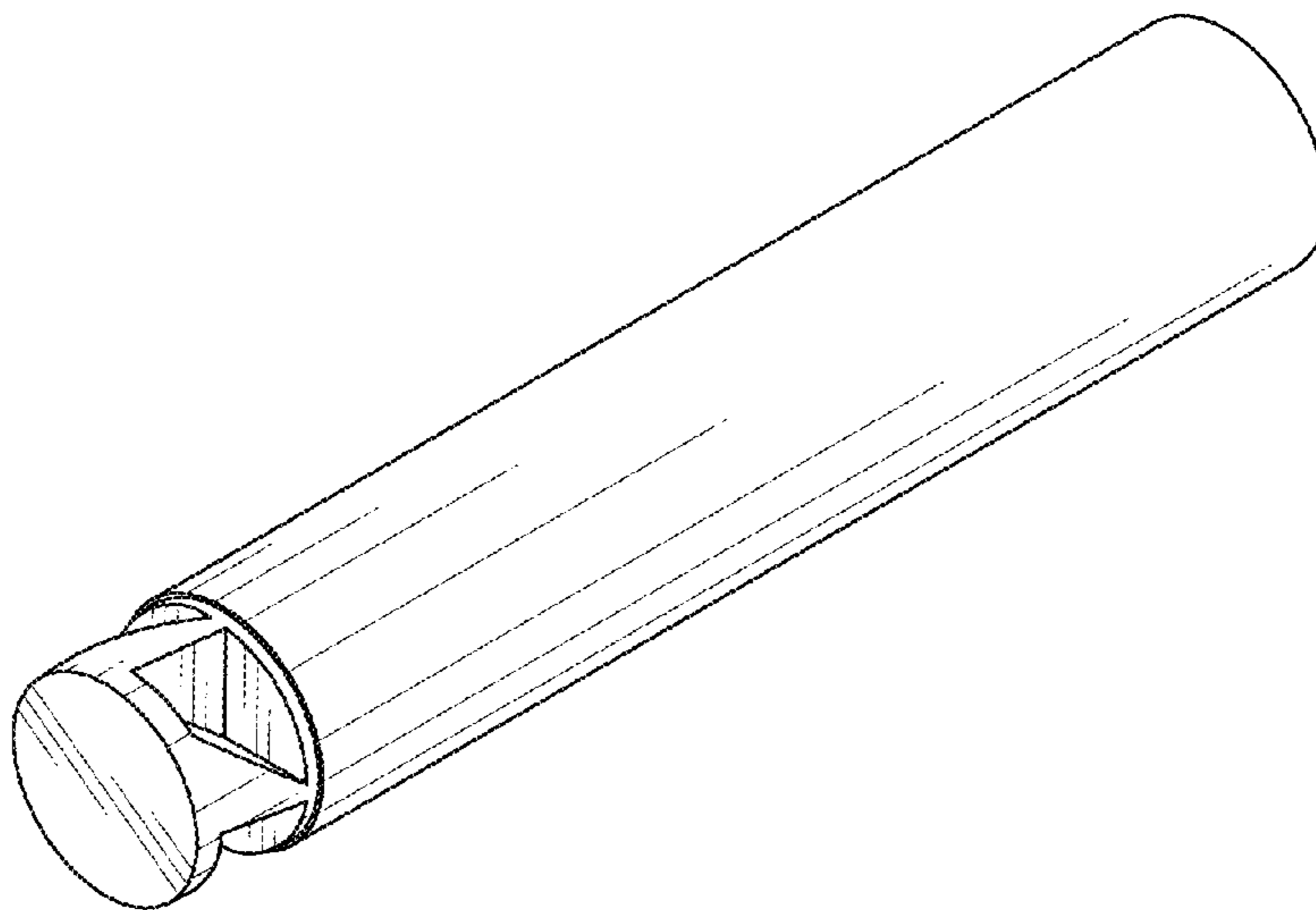
(57) **CLAIM**

The ornamental design for a dart projectile, as shown and described.

DESCRIPTION

FIG. 1 is a front perspective view of the dart projectile of the instant invention;
FIG. 2 is a rear perspective view of the dart projectile of the instant invention;
FIG. 3 is a right side elevational view thereof;
FIG. 4 is a left side elevational view thereof;
FIG. 5 is a front view thereof;
FIG. 6 is a rear view thereof;
FIG. 7 is a top view thereof; and,
FIG. 8 is a bottom view thereof.
The broken lines shown are included for the purpose of illustrating the unclaimed portions of the article and form no part of the claimed design.

1 Claim, 2 Drawing Sheets



(56)

References Cited

U.S. PATENT DOCUMENTS

7,775,918	B2	8/2010	Tsang	
7,874,947	B1	1/2011	Wolfenbarger et al.	
8,012,049	B1	9/2011	Walterscheid	
8,025,596	B2	9/2011	Klein	
8,075,579	B2	12/2011	Hamada	
8,449,413	B1	5/2013	Jackson et al.	
8,617,010	B2	12/2013	Marshall, Jr.	
9,261,336	B2	2/2016	Chang et al.	
D791,246	S *	7/2017	Foley	D21/387
2003/0153417	A1	8/2003	Barrie et al.	
2014/0087897	A1	3/2014	Nally	
2014/0274501	A1	9/2014	Chang et al.	

* cited by examiner

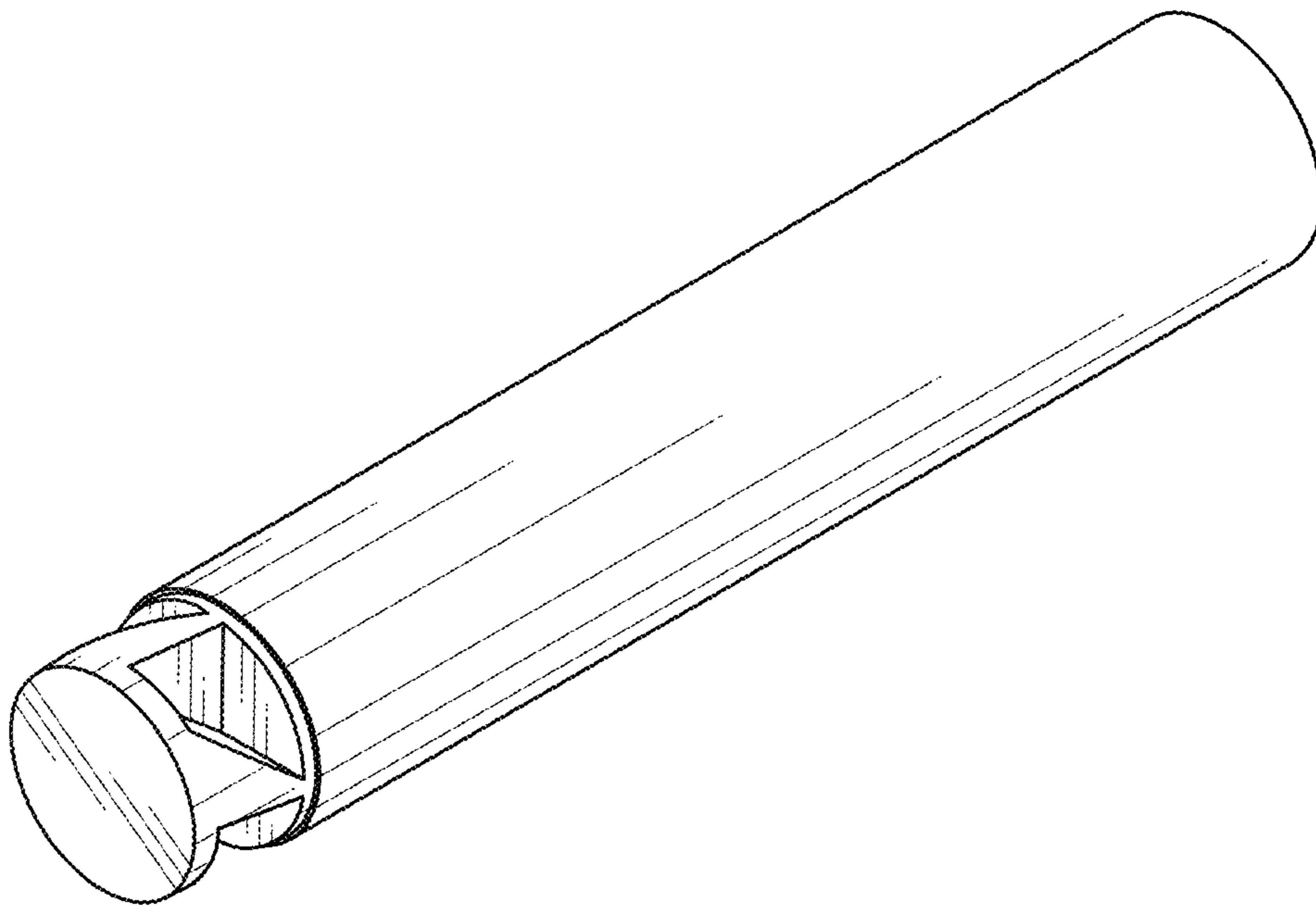


FIG. 1

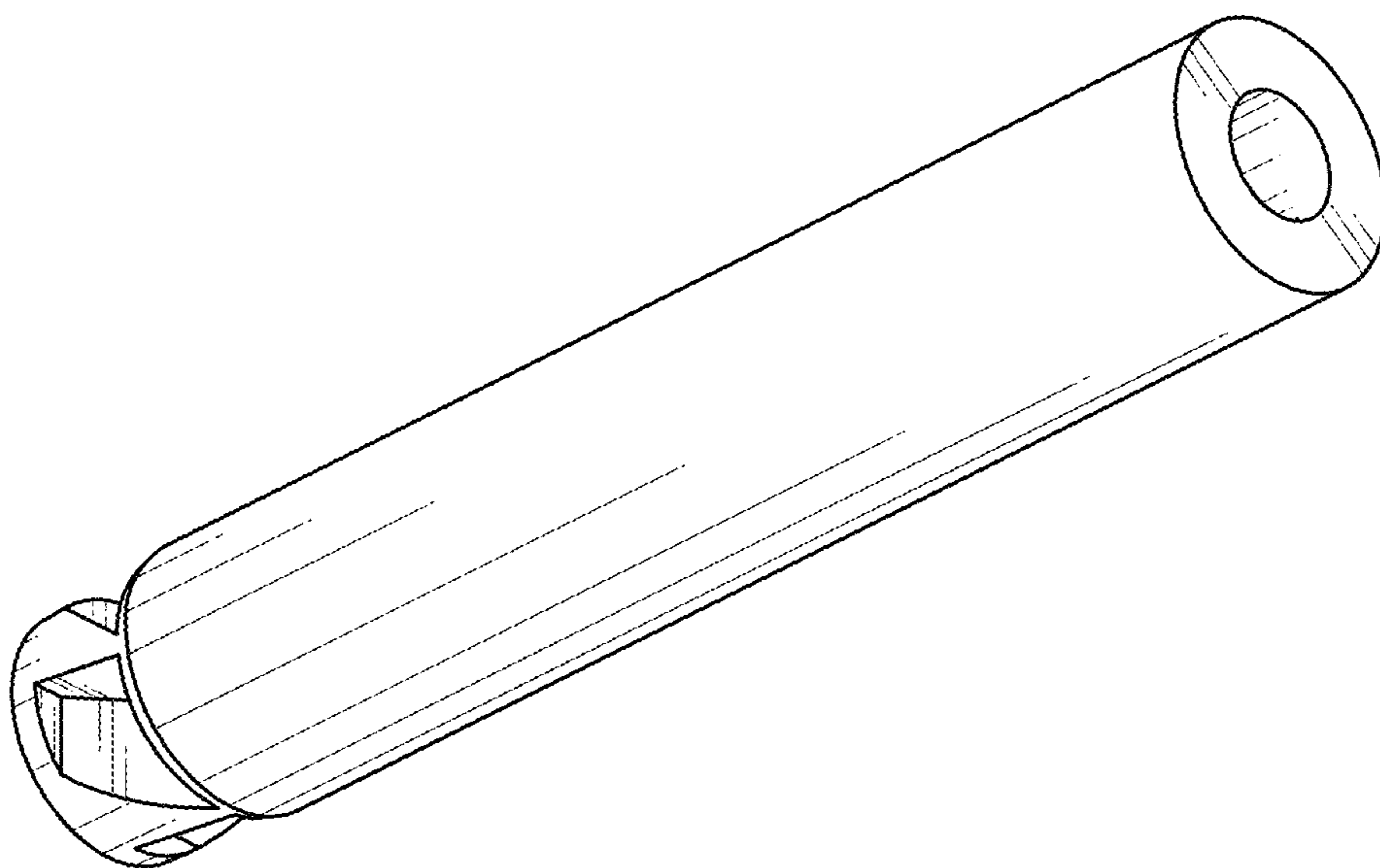


FIG. 2

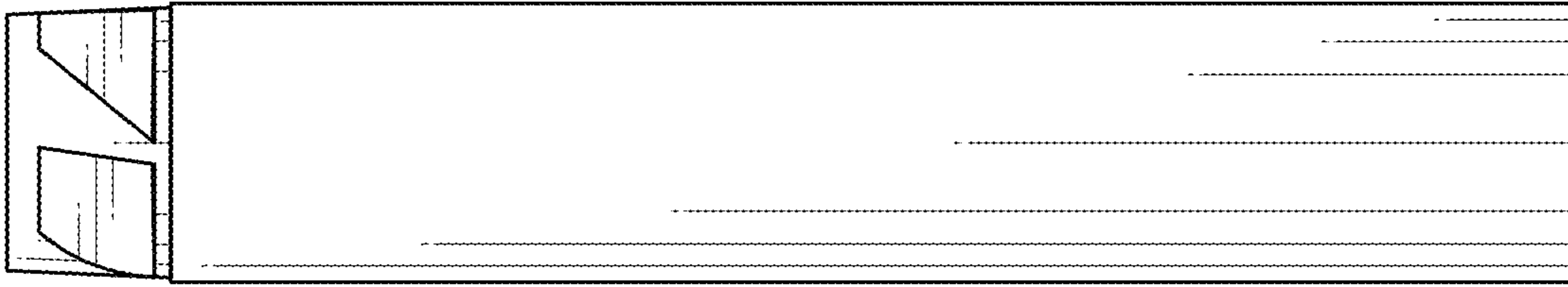


FIG. 3

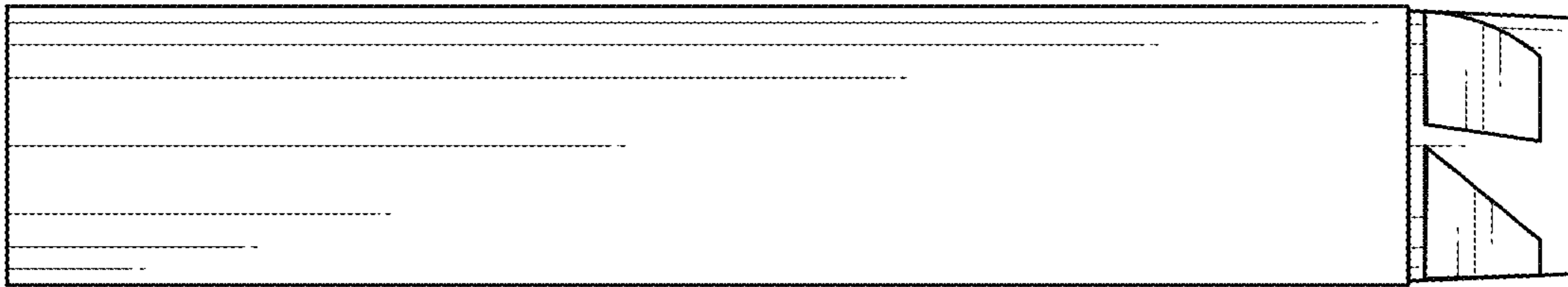


FIG. 4

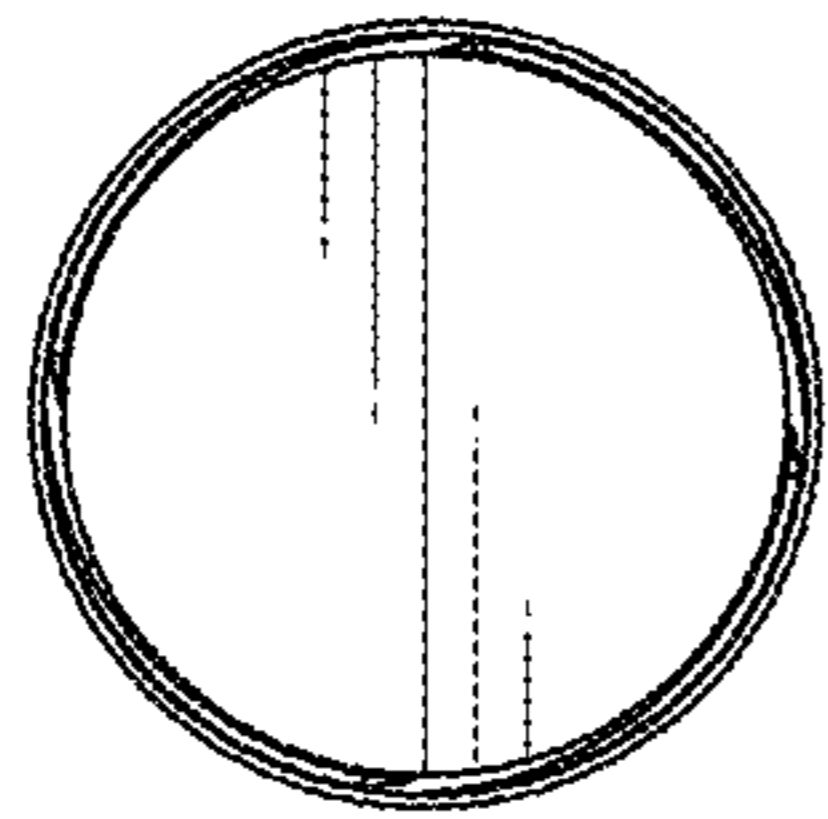


FIG. 5

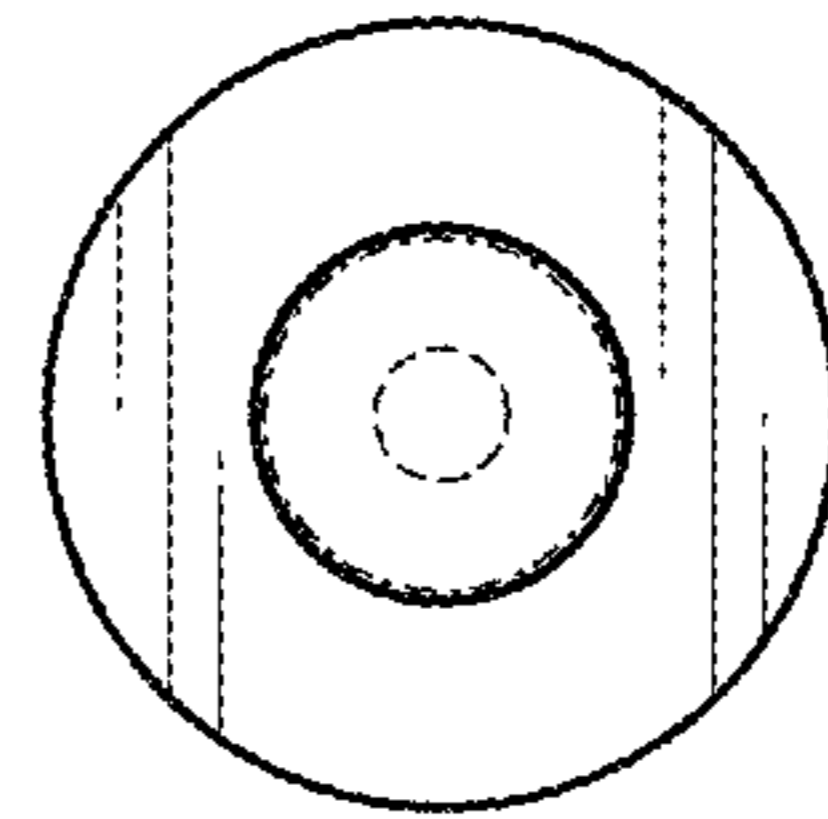


FIG. 6

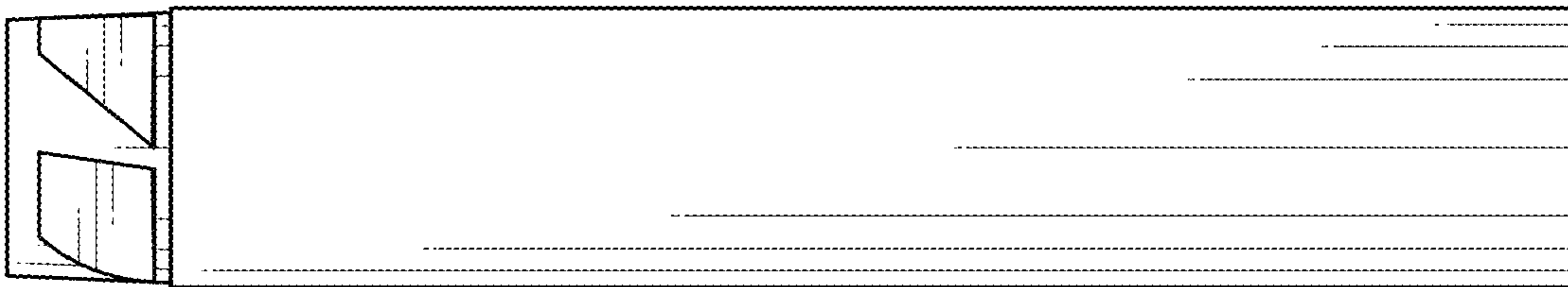


FIG. 7

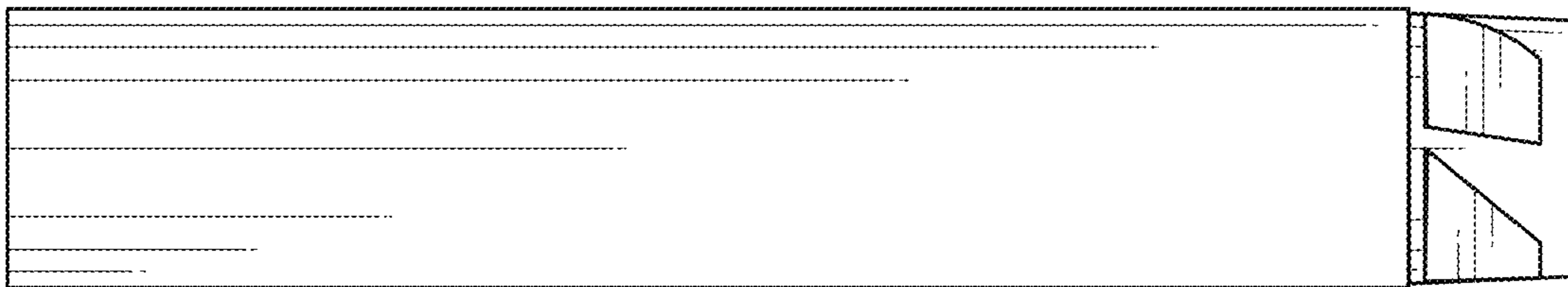


FIG. 8