



US00D802672S

(12) **United States Design Patent**
Brogan et al.

(10) **Patent No.:** **US D802,672 S**
(45) **Date of Patent:** **** Nov. 14, 2017**

(54) **SIGN**
(71) Applicant: **BANANA PRODUCTS, LLC**, Austin, TX (US)
(72) Inventors: **Patrick Brogan**, Austin, TX (US); **Kevin Michael Brogan**, Austin, TX (US); **Shannon Nicole Greenhaus**, Doylestown, PA (US)

4,298,186 A * 11/1981 Glass E01F 13/02
182/181.1
4,796,369 A * 1/1989 Hamann G09F 15/0056
116/63 P
4,928,415 A * 5/1990 Walters G09F 1/06
40/610
4,974,815 A * 12/1990 Glass E01F 13/02
256/1
4,977,697 A * 12/1990 Genick G09F 15/0062
40/539

(73) Assignee: **Banana Products, LLC**, Austin, TX (US)

(Continued)

(**) Term: **15 Years**

Primary Examiner — Mary Ann Calabrese

Assistant Examiner — Sloan Rozin

(21) Appl. No.: **29/555,736**

(74) *Attorney, Agent, or Firm* — Andrew W. Chu; Craft Chu PLLC

(22) Filed: **Feb. 24, 2016**

(51) **LOC (10) Cl.** **20-03**

(57) **CLAIM**

(52) **U.S. Cl.**
USPC **D20/39**

The ornamental design for a sign, as shown and described.

(58) **Field of Classification Search**

DESCRIPTION

USPC D20/10, 20, 27, 28, 39, 40, 41, 99;
D21/477; D10/46, 49, 50, 98, 103, 102,
D10/122–127; D12/192; D14/126, 131,
D14/157, 443, 210, 224.1, 258, 315;
D15/110, 114, 415
CPC G09F 1/00; G09F 1/02; G09F 2003/023;
G09F 2003/0261; G09F 2003/0264; G09F
7/00; G09F 3/206; G09F 13/00; G09F
2007/1807; G09F 13/04; G09F
2013/0427; G09F 2013/0495; G09F
21/00; G09F 21/04; G09F 2021/041;
G09D 3/00; B60R 21/045; B60R 21/205;
B60R 11/02; B60R 7/04; B60R 7/08;
B60K 35/00; B60H 3/06

FIG. 1 is an upper perspective view of the sign showing my design.
FIG. 2 is a side elevation view thereof;
FIG. 3 is an opposite side elevation view thereof;
FIG. 4 is a front elevation view thereof;
FIG. 5 is a back elevation view thereof;
FIG. 6 is a top plan view thereof;
FIG. 7 is a bottom plan view thereof;
FIG. 8 is an upper perspective view thereof, showing a closed configuration;
FIG. 9 is an upper perspective view thereof, showing alternate environment; and,
FIG. 10 is an upper perspective view thereof, showing a second alternate environment.

See application file for complete search history.

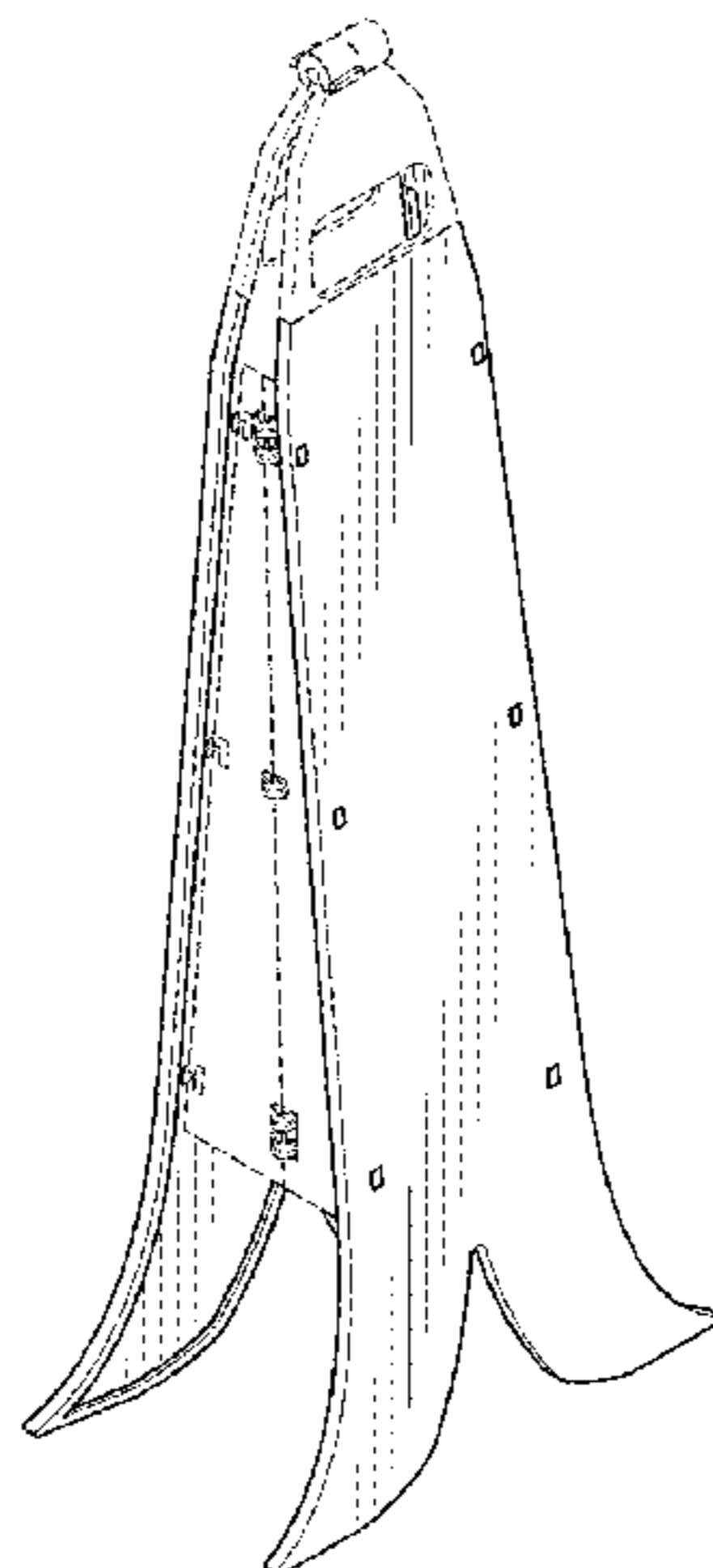
The broken lines in FIGS. 1-10 are presented to illustrate handles and side braces. Handles and side braces are illustrative for environmental elements. Handles and side braces are not claimed as part of the design.

(56) **References Cited**

U.S. PATENT DOCUMENTS

4,253,260 A * 3/1981 Maza G09F 15/0062
116/63 P
D260,780 S * 9/1981 Maza D20/10

1 Claim, 3 Drawing Sheets



(56)

References Cited

U.S. PATENT DOCUMENTS

4,999,937 A * 3/1991 Bechtold G09F 15/0062
16/329
5,003,912 A * 4/1991 Thurston E01F 9/646
116/63 P
5,009,541 A * 4/1991 Thurston E01F 9/646
116/63 P
5,046,885 A * 9/1991 Thurston E01F 9/646
116/63 P
D328,615 S * 8/1992 Taylor D10/109.1
D336,928 S * 6/1993 Sandy D20/10
D350,368 S * 9/1994 Steinwachs D20/10
D356,931 S * 4/1995 Dishaw D8/65
5,458,434 A * 10/1995 Bent E01F 9/688
40/610
D371,807 S * 7/1996 Mandell D10/113.1
D386,091 S * 11/1997 Caulk D20/10
D395,334 S * 6/1998 Eberle D10/109.1
D405,708 S * 2/1999 Liu D10/113.4
D434,807 S * 12/2000 Justen D20/10

D450,775 S * 11/2001 Albrecht D20/10
D450,776 S * 11/2001 Albrecht D20/10
D465,529 S * 11/2002 Hummell D20/40
D516,631 S * 3/2006 Thompson D20/41
D523,486 S * 6/2006 Thompson D20/41
7,150,118 B1 * 12/2006 Benton G09F 15/0062
206/223
7,284,347 B2 * 10/2007 Rodrigues G09F 3/20
40/124.06
D558,832 S 1/2008 Jedlicka
D583,269 S * 12/2008 Huang D10/113.4
D583,694 S * 12/2008 Huang D10/113.4
D598,798 S * 8/2009 Tsui D10/113.4
D605,492 S 12/2009 De Leone
D635,800 S 4/2011 Rodgers et al.
D718,816 S * 12/2014 Golden D20/10
D737,164 S 8/2015 Brogan
D756,831 S * 5/2016 Libbey D10/113.4
D772,487 S * 11/2016 Palazzo D29/100
D787,593 S * 5/2017 Robins D19/113
D787,969 S * 5/2017 Tsui D10/113.4

* cited by examiner

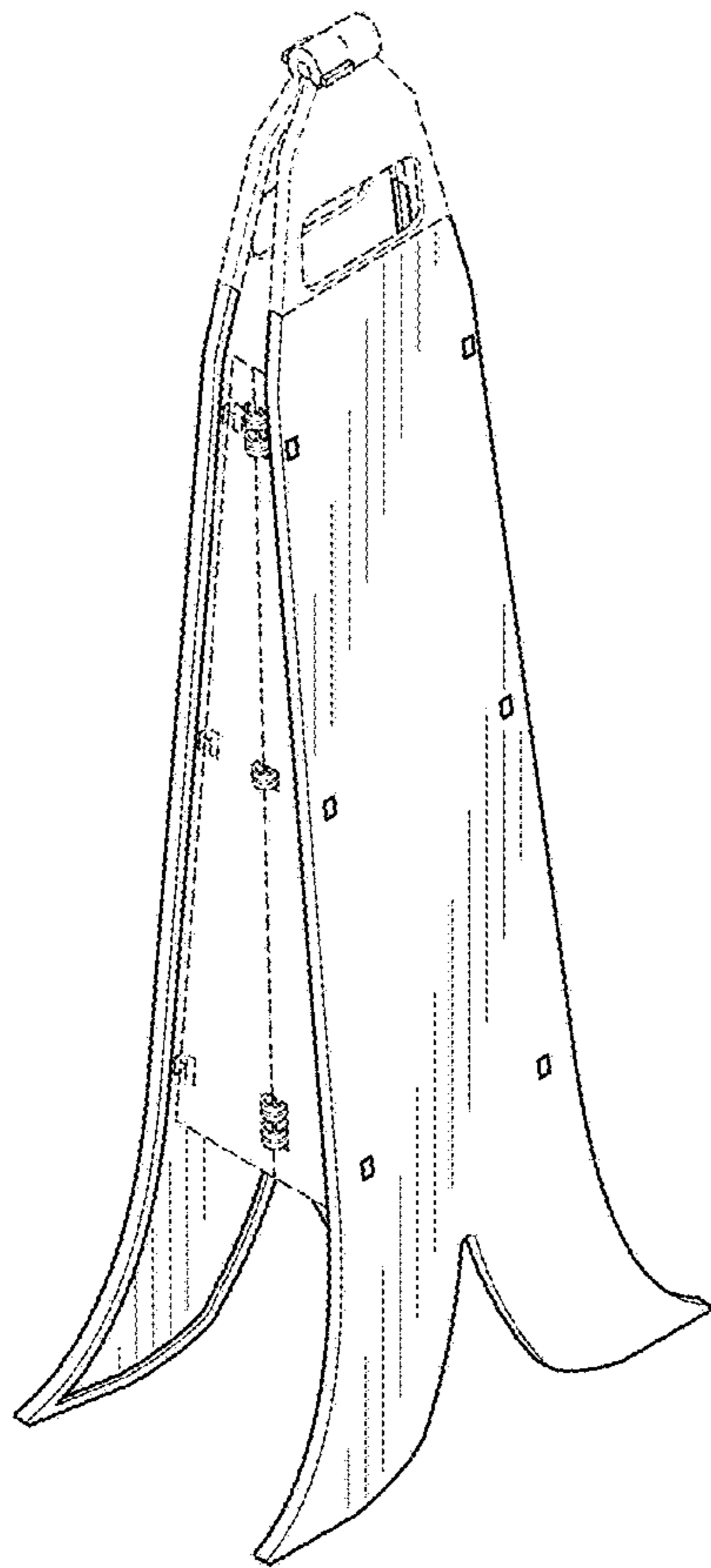


FIG. 1

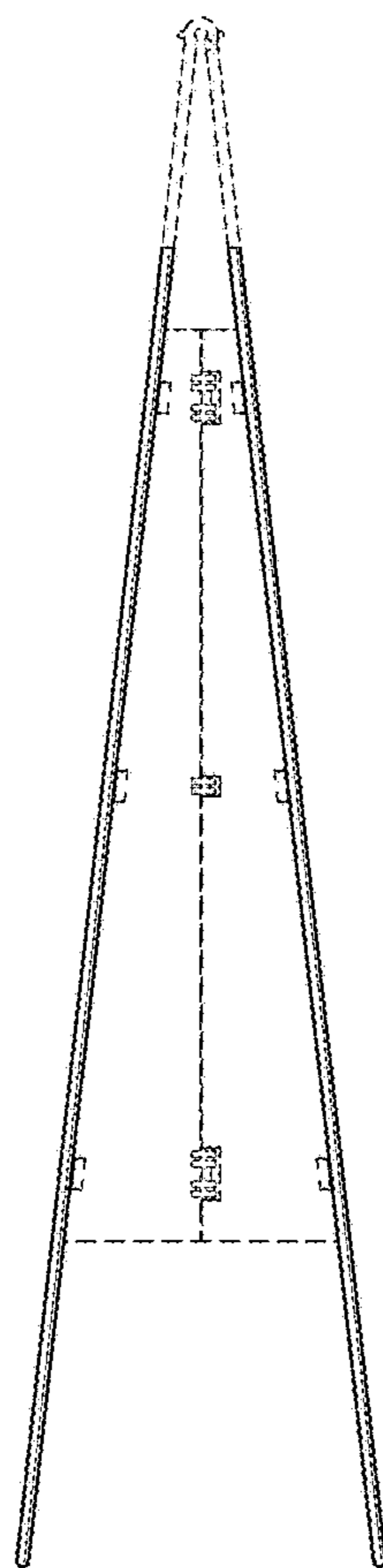


FIG. 2



FIG. 3

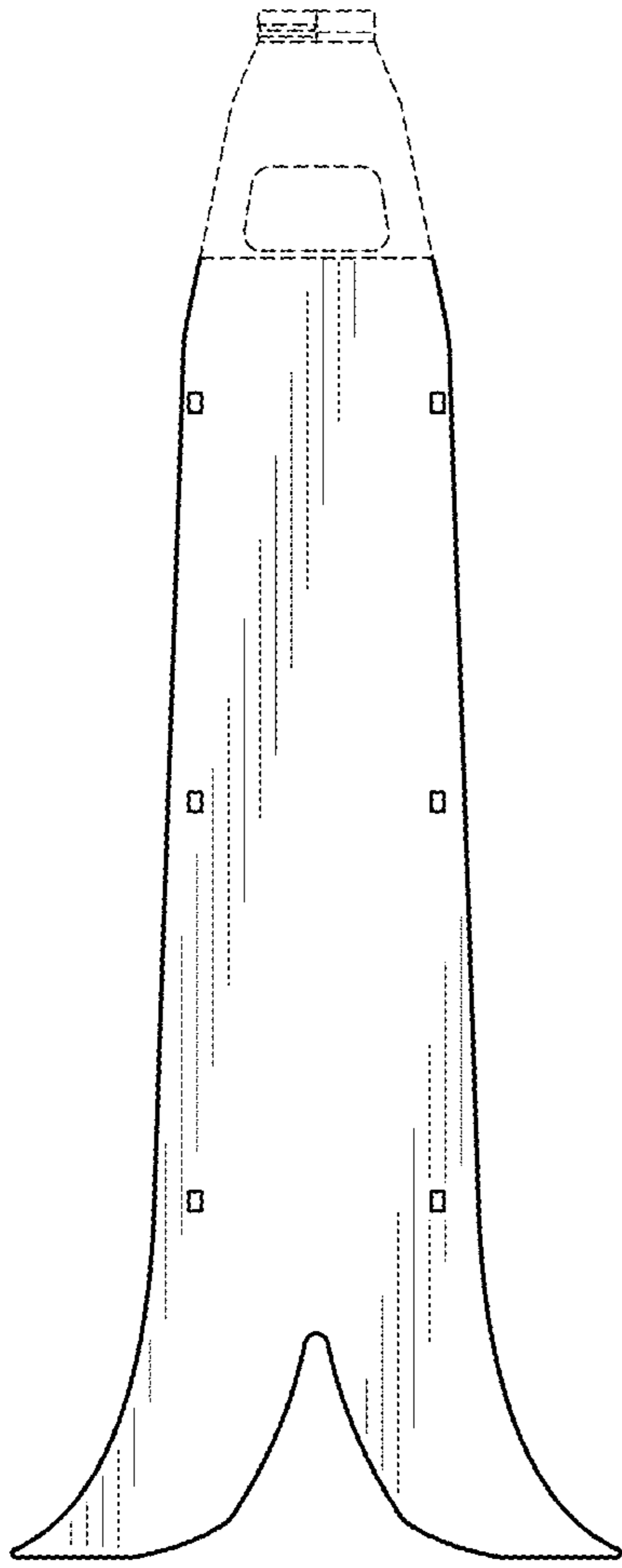


FIG. 4

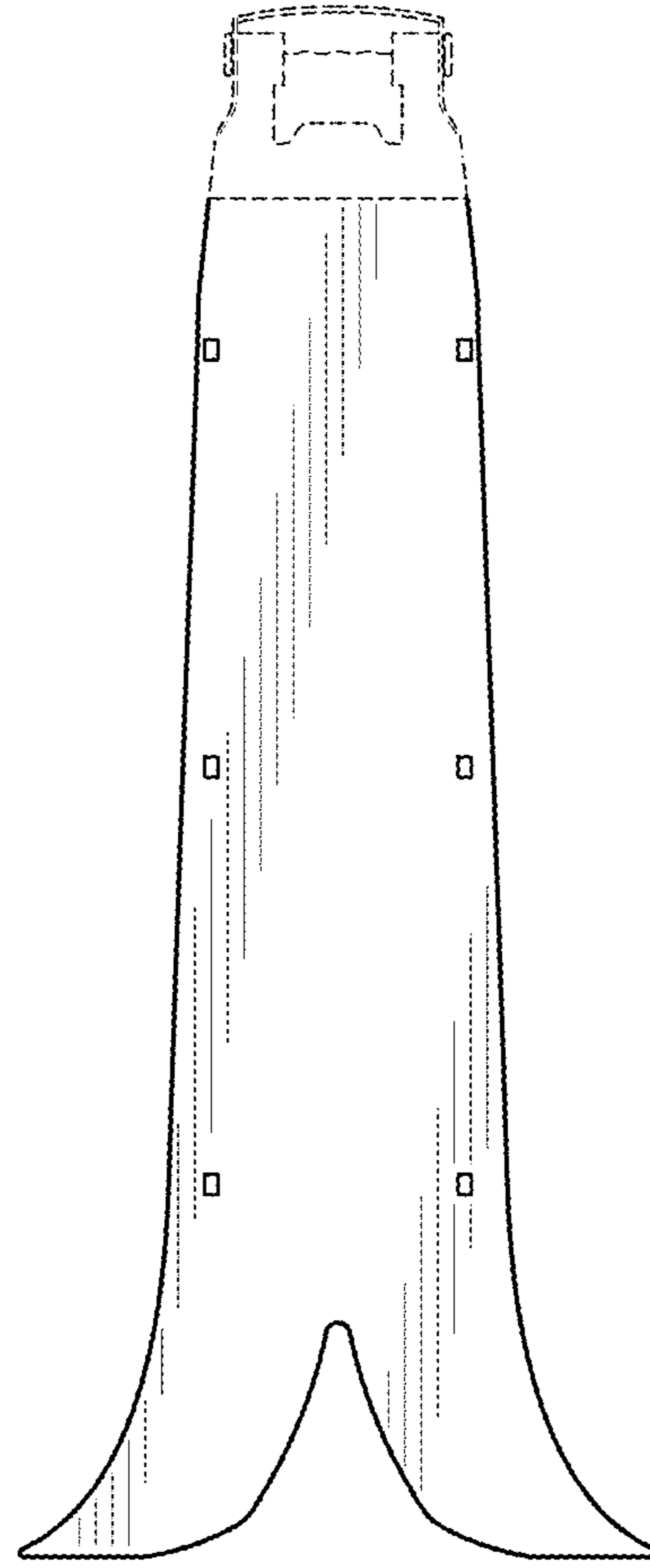


FIG. 5

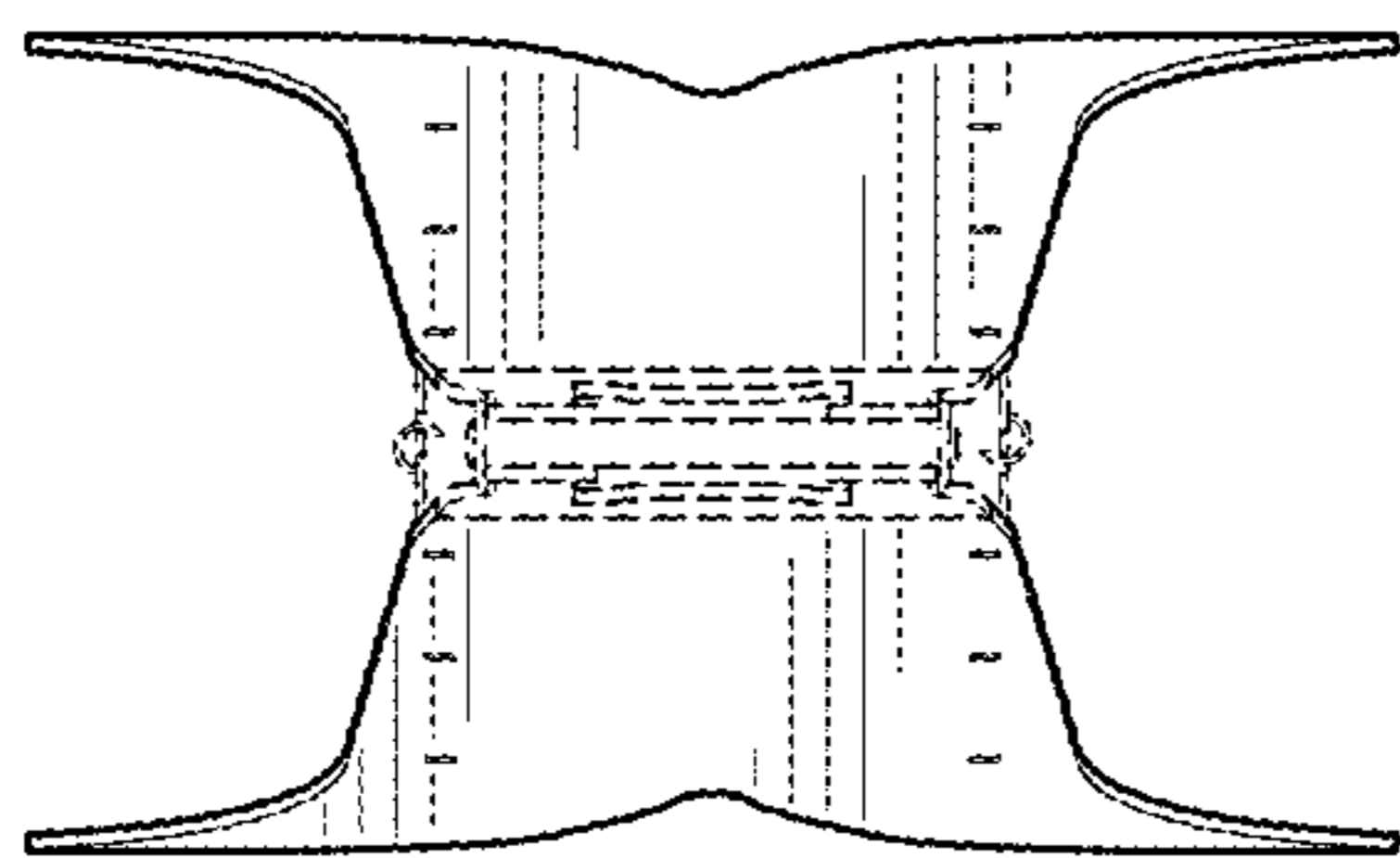


FIG. 6

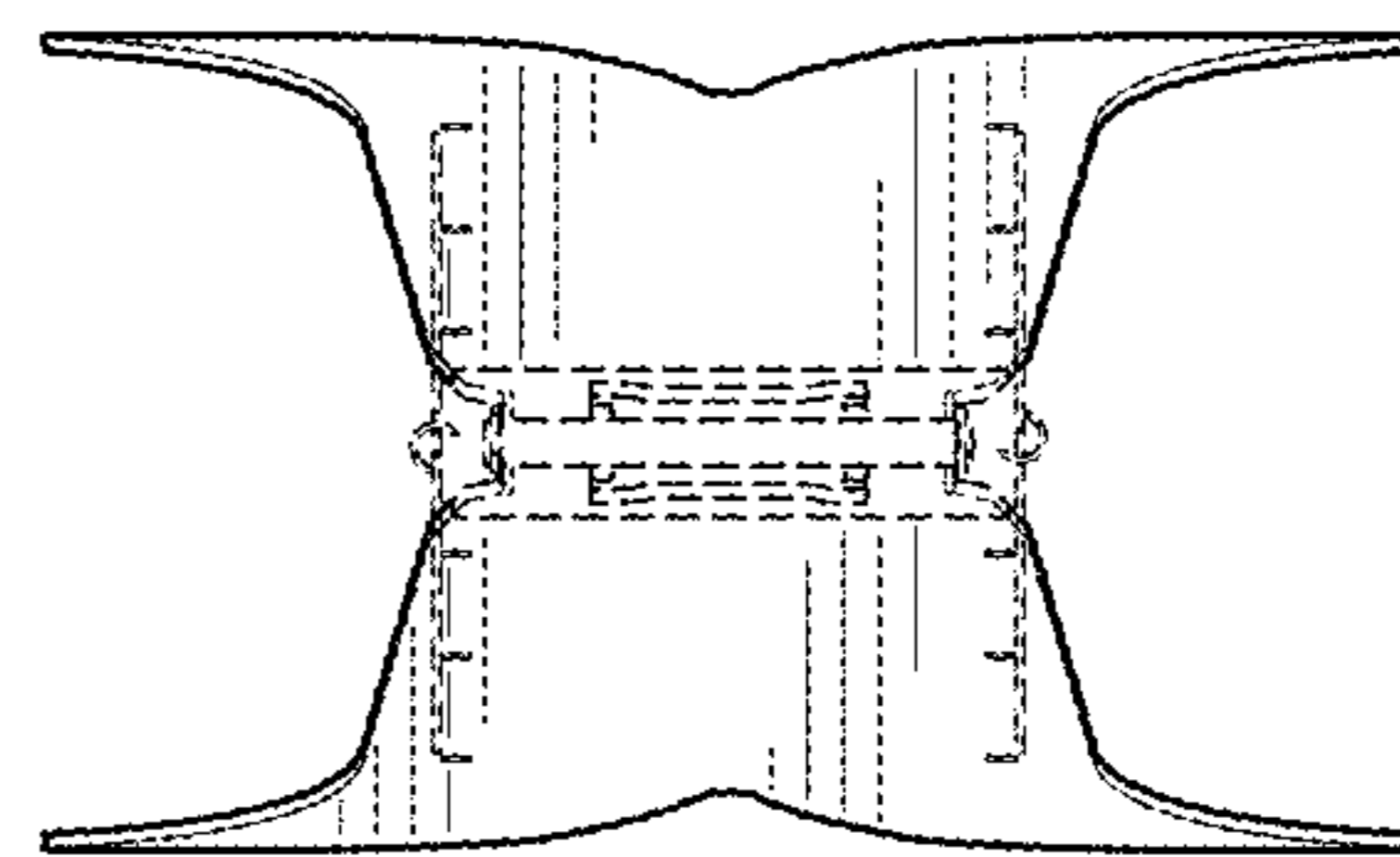


FIG. 7

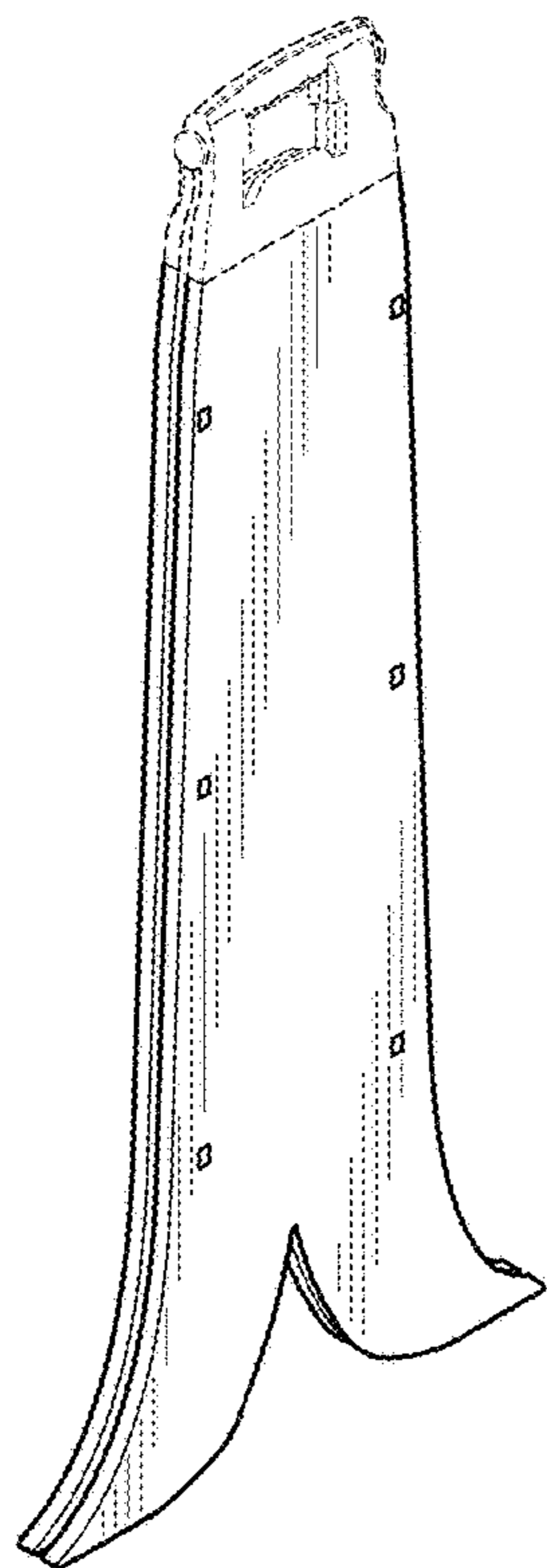


FIG. 8

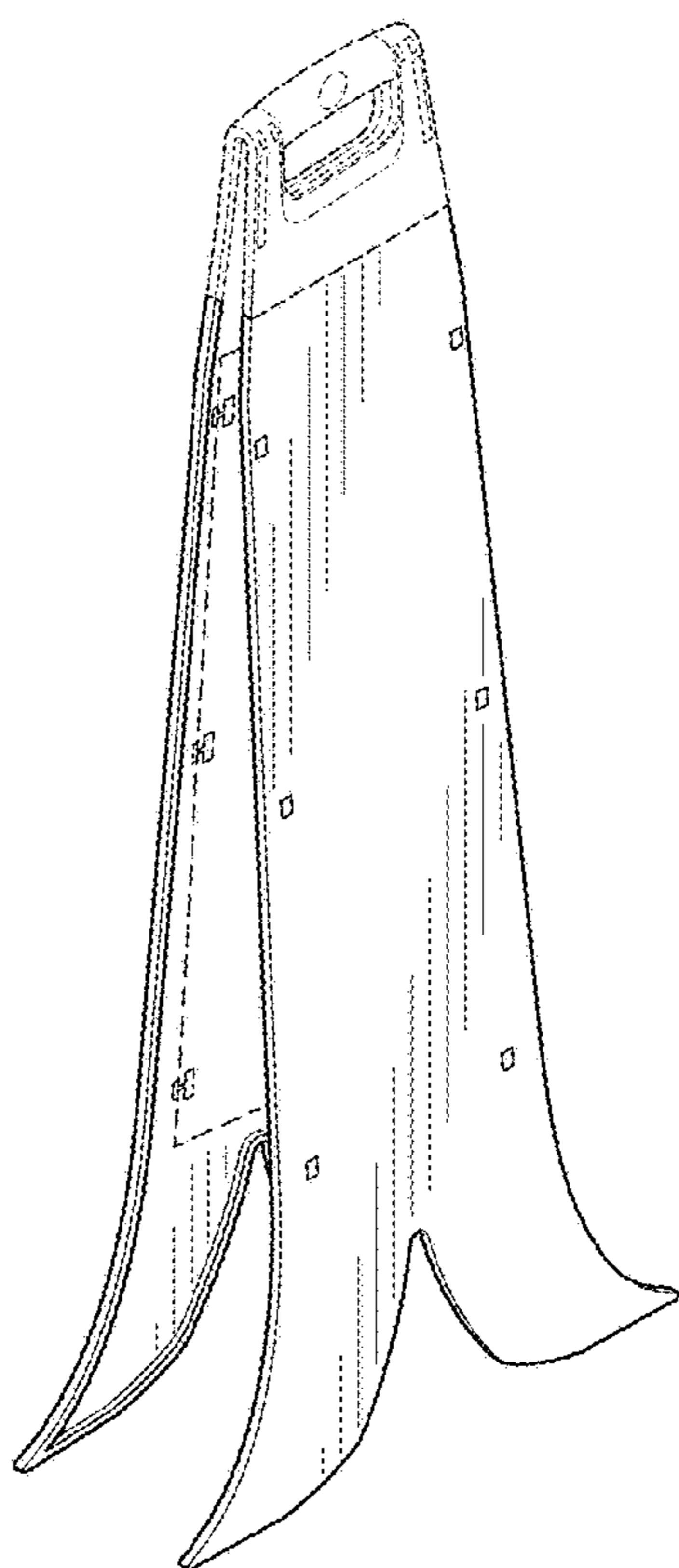


FIG. 9

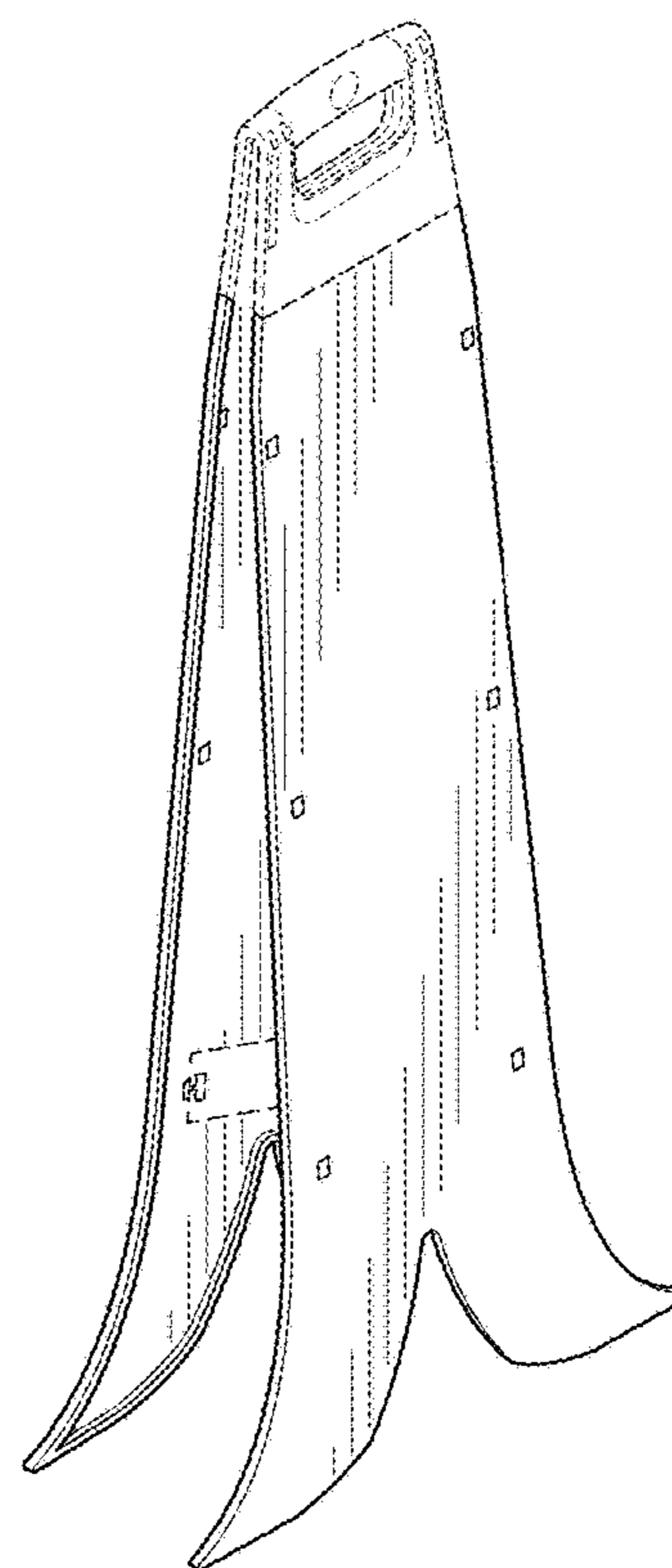


FIG. 10