



US00D802670S

(12) **United States Design Patent** (10) **Patent No.:** **US D802,670 S**  
**Wu** (45) **Date of Patent:** **\*\* Nov. 14, 2017**

(54) **MASK STICKER**  
(71) Applicant: **Chun-Hung Wu**, New Taipei (TW)  
(72) Inventor: **Chun-Hung Wu**, New Taipei (TW)  
(\*\*) Term: **15 Years**  
(21) Appl. No.: **29/572,877**  
(22) Filed: **Aug. 1, 2016**

(30) **Foreign Application Priority Data**

Feb. 1, 2016 (TW) ..... 105300526

(51) **LOC (10) Cl.** ..... **19-08**

(52) **U.S. Cl.**  
USPC ..... **D20/23**

(58) **Field of Classification Search**  
USPC ..... D19/35, 36, 59; D20/10, 20, 23, 27, 28,  
D20/37, 39, 40, 41, 99; D21/362, 374,  
D21/477

CPC ..... G09F 1/00; G09F 1/02; G09F 2003/023;  
G09F 2003/0261; G09F 2003/0264; G09F  
7/00; G09F 3/206; G09F 13/00; G09F  
2007/1807; G09F 13/04; G09F  
2013/0427; G09F 2013/0495; G09F  
21/00; G09F 2021/023; G09F 21/04;  
G09F 2021/041; G09D 3/00; B60R  
21/045; B60R 21/205; B60R 11/02; B60R  
7/04; B60R 7/08; B60K 35/00; B60H  
3/06

See application file for complete search history.

(56) **References Cited**

**U.S. PATENT DOCUMENTS**

D102,715 S \* 1/1937 Haines ..... D5/64  
D103,964 S \* 4/1937 Emmy ..... D5/63  
4,585,797 A \* 4/1986 Cioca ..... A61K 8/0212  
424/401

D297,337 S \* 8/1988 Orenstein ..... D20/22  
D332,310 S \* 1/1993 Ahlen ..... D24/208  
D335,937 S \* 5/1993 Owens ..... D21/660  
D601,210 S \* 9/2009 Woye ..... D21/659  
D634,473 S \* 3/2011 Koike ..... D28/4  
D715,453 S \* 10/2014 In ..... D24/206  
D715,454 S \* 10/2014 Riggons ..... D24/206  
D734,896 S \* 7/2015 Mam ..... D29/108  
D750,843 S \* 3/2016 Welborn ..... D29/108  
D755,243 S \* 5/2016 Seo ..... D14/495  
D763,515 S \* 8/2016 Chang ..... D29/108  
D768,927 S \* 10/2016 Eisenberg ..... D28/9

\* cited by examiner

*Primary Examiner* — Mary Ann Calabrese

*Assistant Examiner* — Sloan Rozin

(74) *Attorney, Agent, or Firm* — Muncy, Geissler, Olds & Lowe, P.C.

(57) **CLAIM**

The ornamental design for a mask sticker, as shown and described.

**DESCRIPTION**

FIG. 1 is a perspective view of a mask sticker showing my new design, in which the broken lines herein form no part of the claimed design;

FIG. 2 is a front view of thereof which showing a mask sticker;

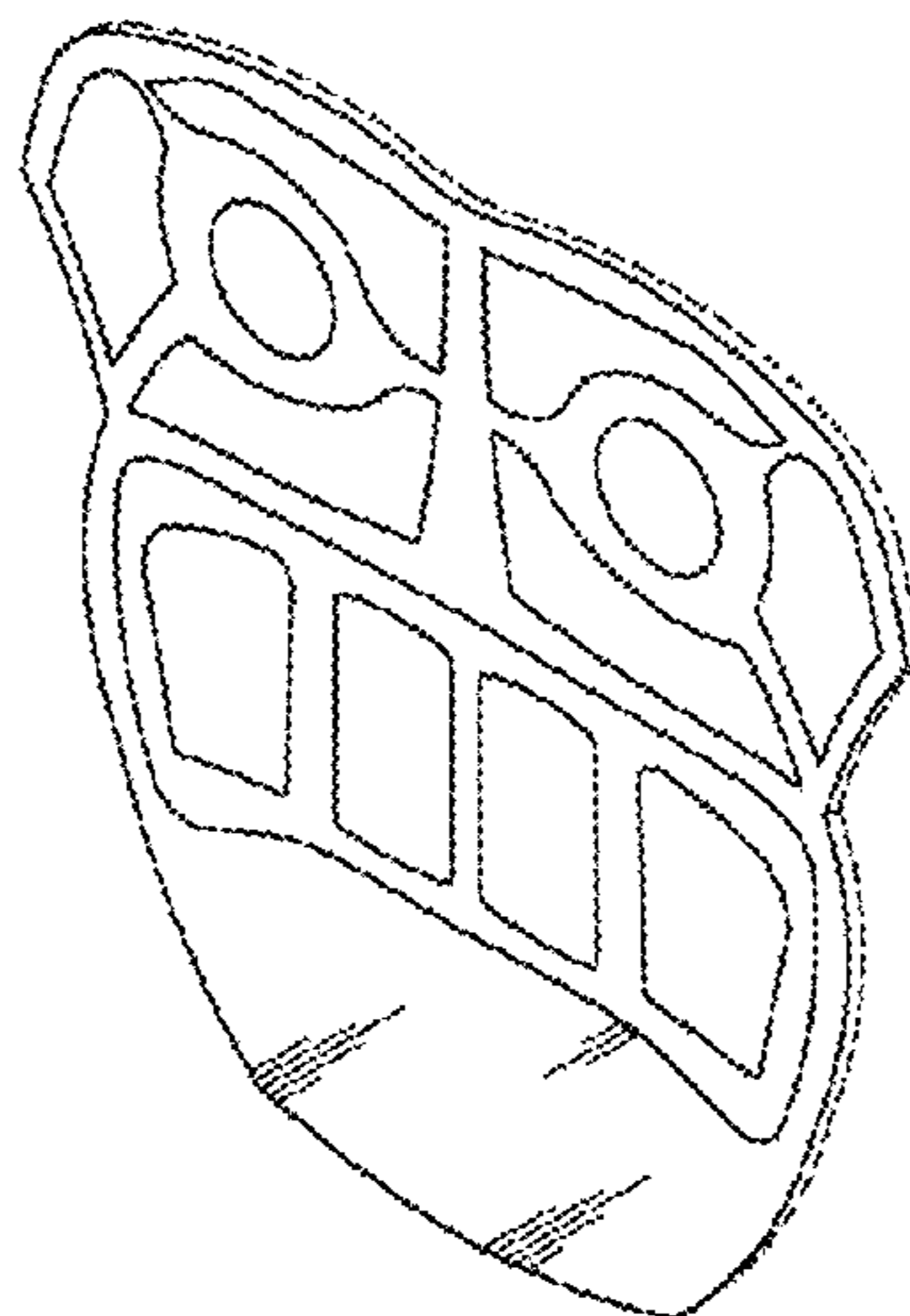
FIG. 3 is another front view thereof which is an overturn of FIG. 2 by 180 degrees; and,

FIG. 4 is a schematic view showing the claimed design stuck onto an end portion of a car, in which the car herein forms no part of the claimed design.

The rear view, the left plan view, the right plan view, the top plan view, and the bottom plan view form no part of the claimed design.

The design is adapted to be stuck onto a car, a toy, or a literary article.

**1 Claim, 3 Drawing Sheets**



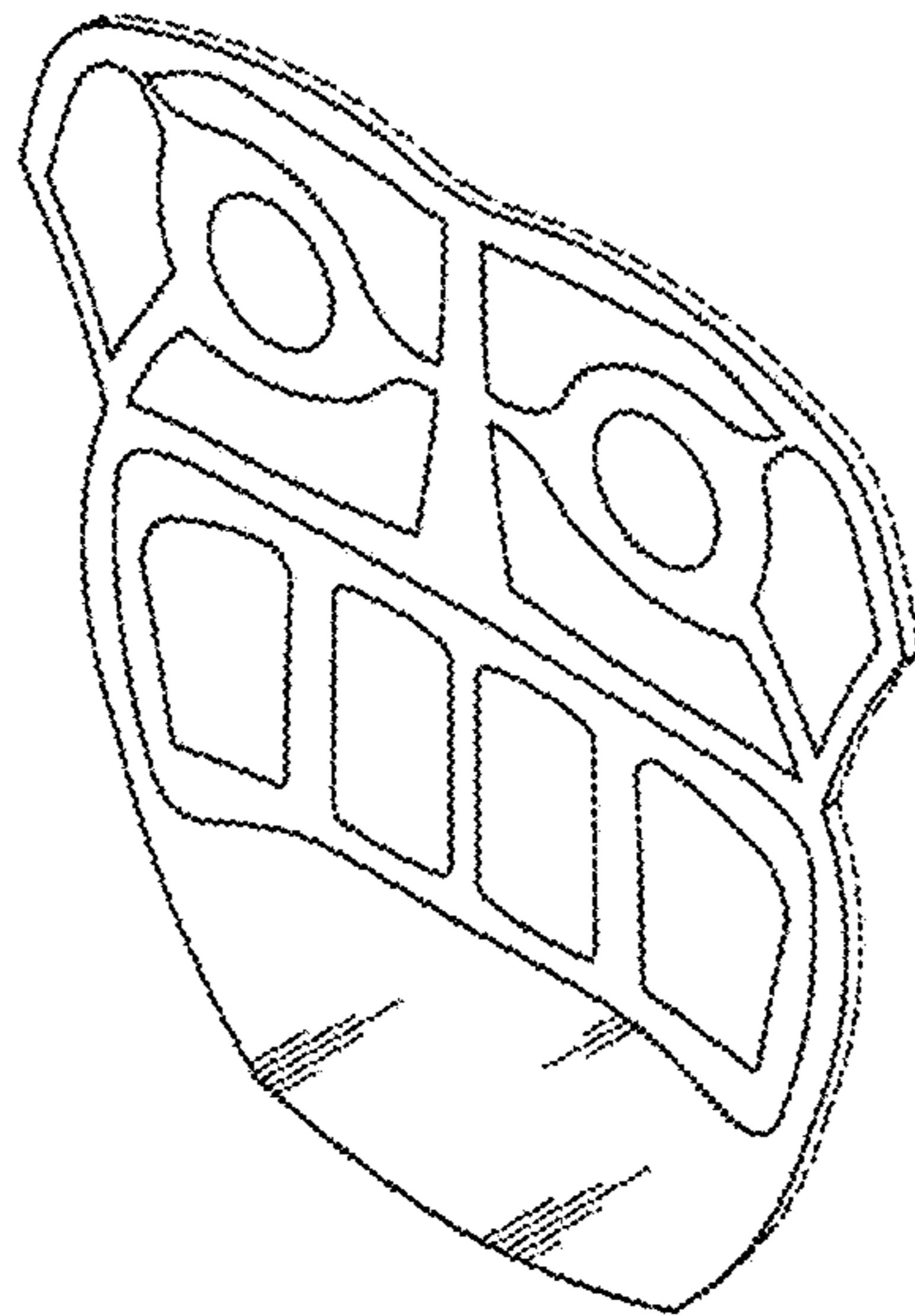


Fig. 1

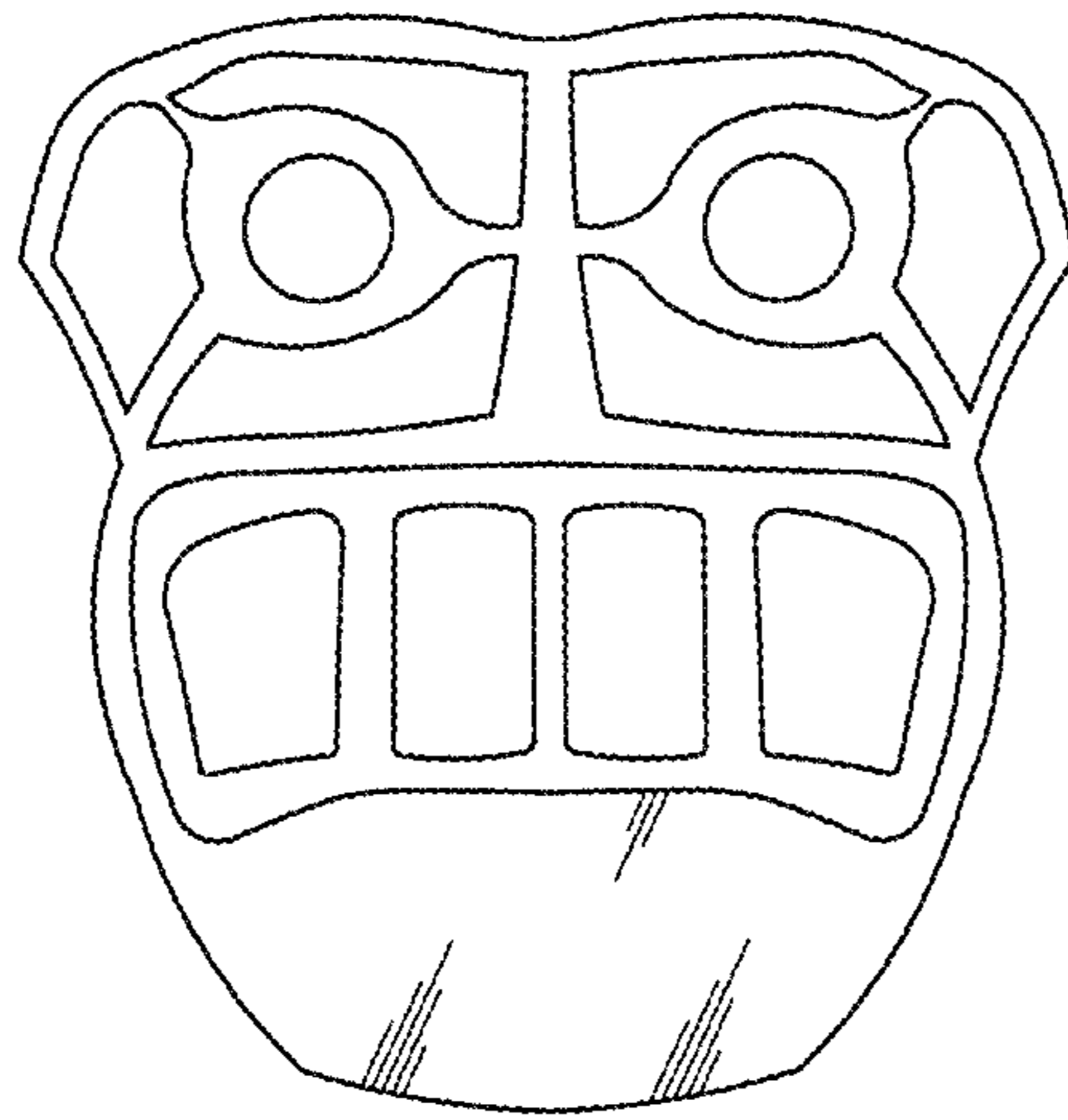


Fig. 2

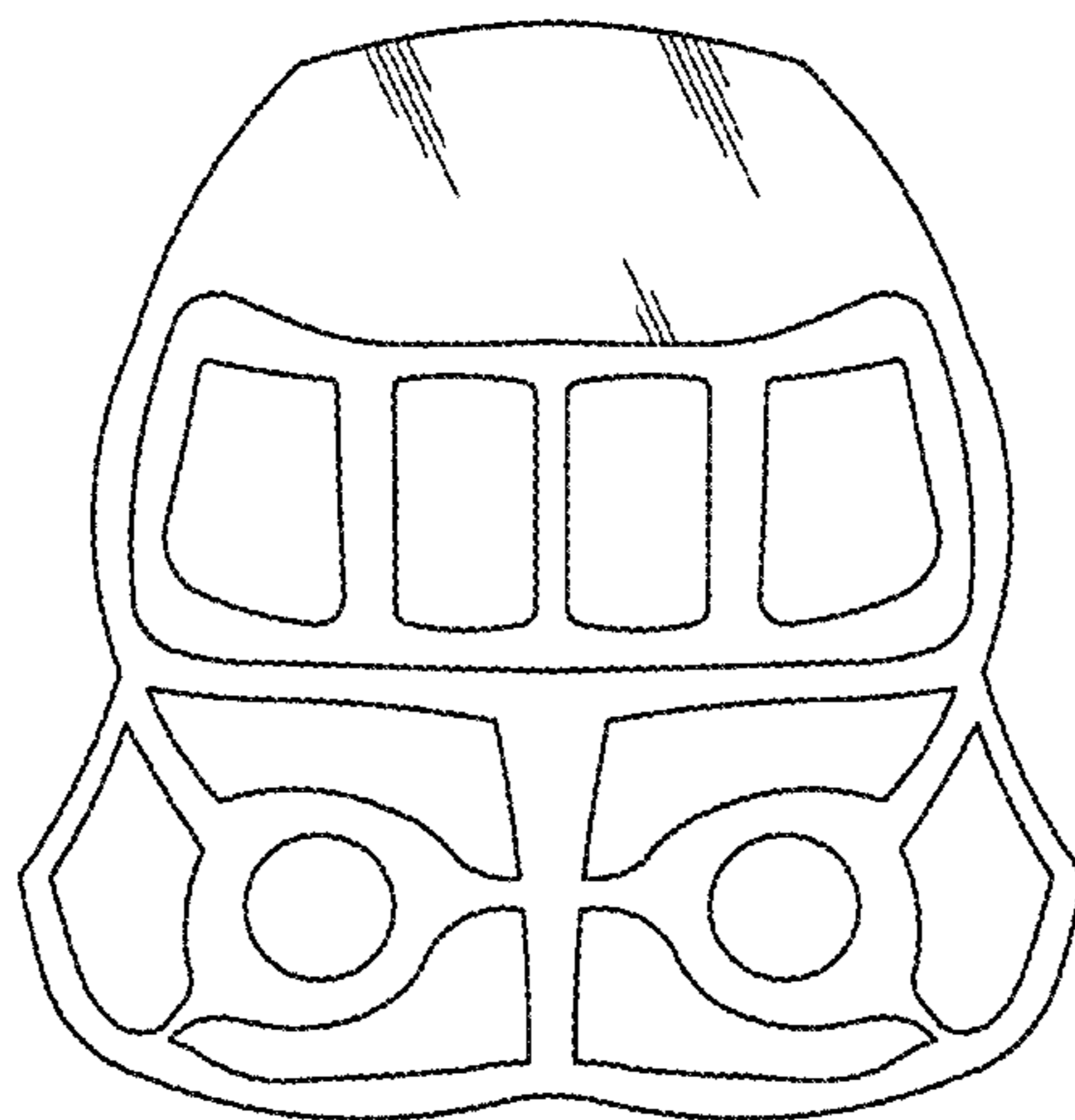


Fig. 3

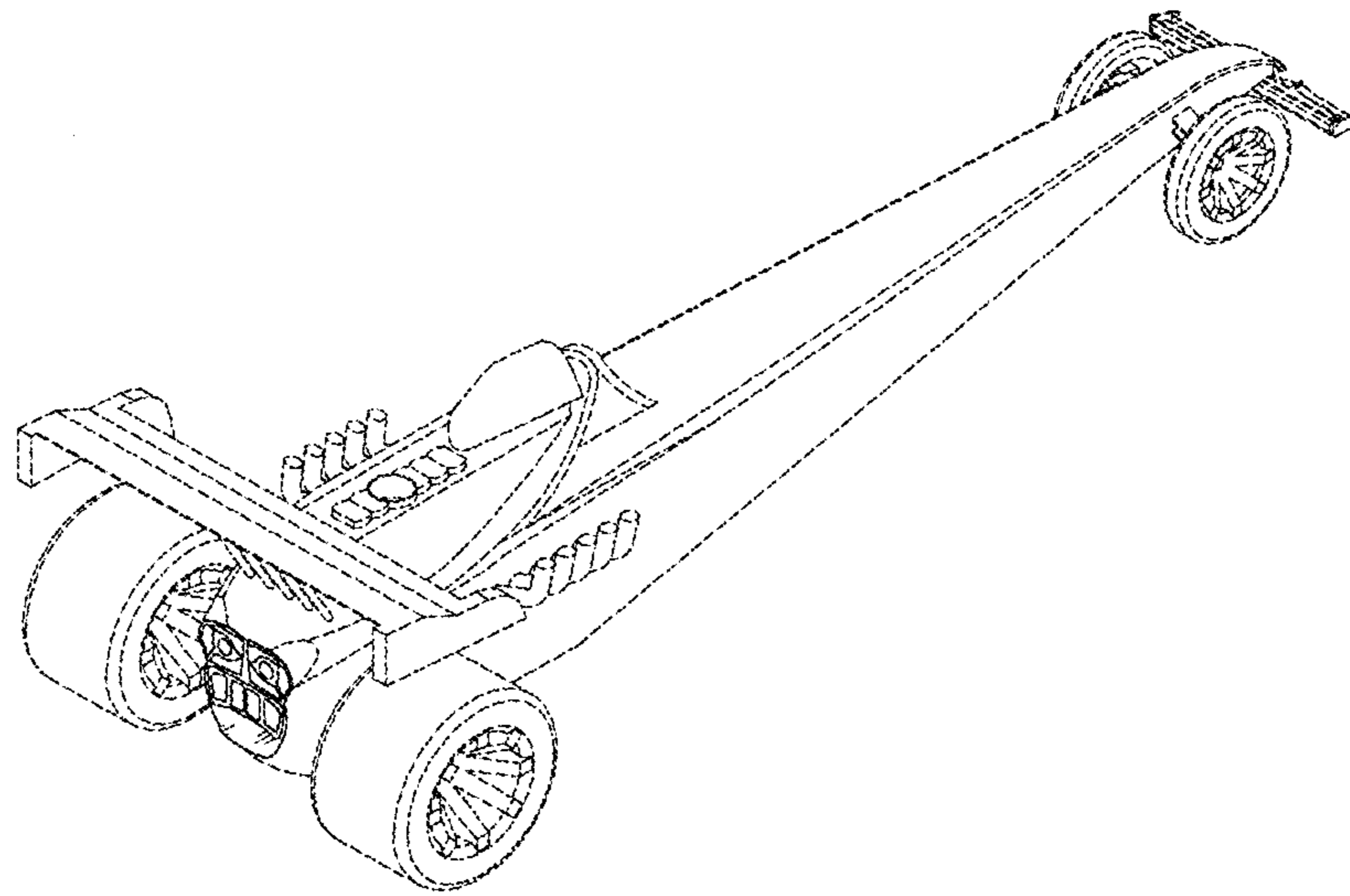


Fig. 4