



US00D802664S

(12) **United States Design Patent**
Mille

(10) **Patent No.:** **US D802,664 S**

(45) **Date of Patent:** **** Nov. 14, 2017**

- (54) **PEN**
- (71) Applicant: **Turlen Holding SA**, Les Breuleux (CH)
- (72) Inventor: **Richard Mille**, Moulins (FR)
- (73) Assignee: **TURLEN HOLDING SA**, Les Breuleux (CH)
- (**) Term: **15 Years**
- (21) Appl. No.: **29/553,570**
- (22) Filed: **Feb. 3, 2016**

(30) **Foreign Application Priority Data**

Oct. 6, 2015 (WO) DM/087 771

- (51) **LOC (10) Cl.** **19-06**
- (52) **U.S. Cl.**
USPC **D19/164; D19/922**
- (58) **Field of Classification Search**
USPC D14/411; D19/115–204
CPC ... B43K 5/00; B43K 7/00; B43K 7/12; B43K 8/04; B43K 8/06; B43K 19/00; B43K 19/02; B43K 19/14; B43K 24/08
See application file for complete search history.

(56) **References Cited**

U.S. PATENT DOCUMENTS

- 2,122,431 A * 7/1938 Lowy B43K 29/0875
40/335
- 2,147,561 A * 2/1939 Sherlock B43L 19/02
30/169
- 2,153,488 A * 4/1939 Weisser B43K 25/022
24/11 F
- D226,338 S * 2/1973 Tailer D19/169
- D267,982 S * 2/1983 Kennedy D19/169
- D280,737 S * 9/1985 Verhaegue D19/169
- D286,791 S * 11/1986 Booker D19/168

- D340,767 S * 10/1993 Luke 401/195
- D366,902 S * 2/1996 Takahashi D19/168
- D404,425 S * 1/1999 Suzuki D19/164
- D404,427 S * 1/1999 Takanashi D19/169
- D424,616 S * 5/2000 Andrews D19/196
- D466,932 S * 12/2002 Leo D19/169
- D490,106 S * 5/2004 Willat D19/168
- D497,179 S * 10/2004 Chen D14/411
- D500,338 S * 12/2004 Kommer D19/168
- D500,791 S * 1/2005 Good D19/168
- 6,910,824 B2 * 6/2005 Holland B43K 7/005
401/192
- D622,374 S * 8/2010 Julian D24/113
- D629,509 S * 12/2010 Julian D24/113
- D641,782 S * 7/2011 Lira-Nunez D19/164
- D641,785 S * 7/2011 Lira-Nunez D19/168
- D649,189 S * 11/2011 Maier D19/170
- D650,857 S * 12/2011 Lira-Nunez D19/168
- D667,055 S * 9/2012 Kim D19/166
- D688,791 S * 8/2013 Guarraia D24/113

(Continued)

Primary Examiner — Elizabeth Albert

(74) *Attorney, Agent, or Firm* — Donald J. Ranft; Collen IP

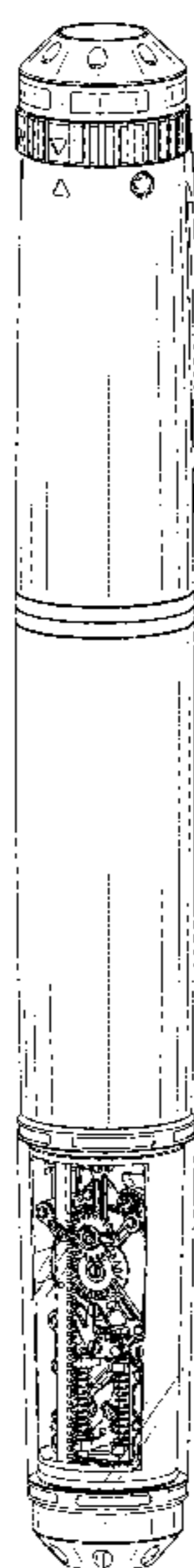
(57) **CLAIM**

The ornamental design for a pen, as shown.

DESCRIPTION

FIG. 1 is a front right perspective view of a pen showing my new design;
 FIG. 2 is a rear left perspective view thereof;
 FIG. 3 is a bottom right perspective view thereof;
 FIG. 4 is a bottom left perspective view thereof;
 FIG. 5 is a top view thereof;
 FIG. 6 is a bottom view thereof;
 FIG. 7 is a left side view thereof;
 FIG. 8 is a right side view thereof;
 FIG. 9 is a front view thereof; and,
 FIG. 10 is a rear view thereof.

1 Claim, 5 Drawing Sheets



(56)

References Cited

U.S. PATENT DOCUMENTS

D732,405 S * 6/2015 Mille D10/125
D789,807 S * 6/2017 Mille D10/30

* cited by examiner

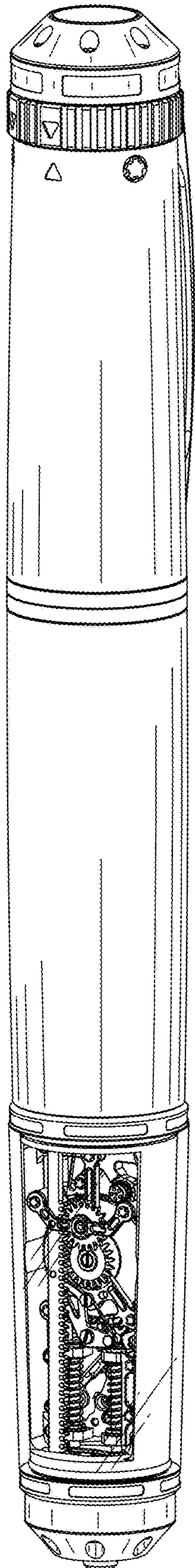


FIG. 1

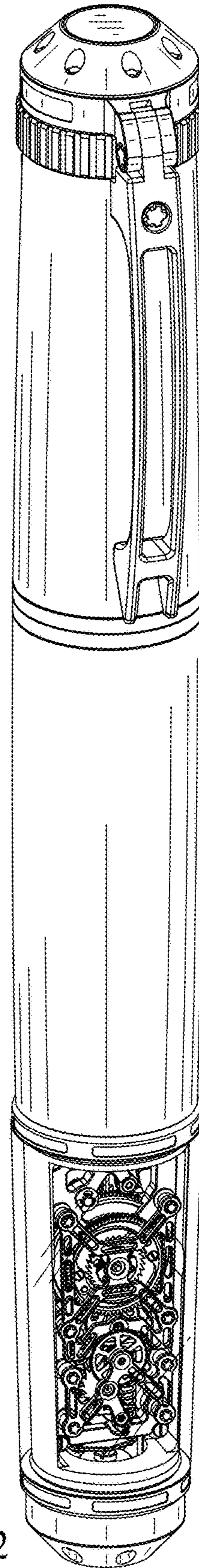


FIG. 2

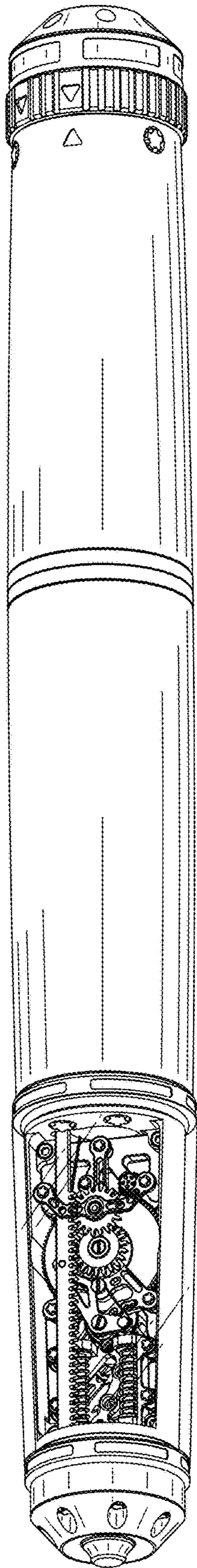


FIG. 3

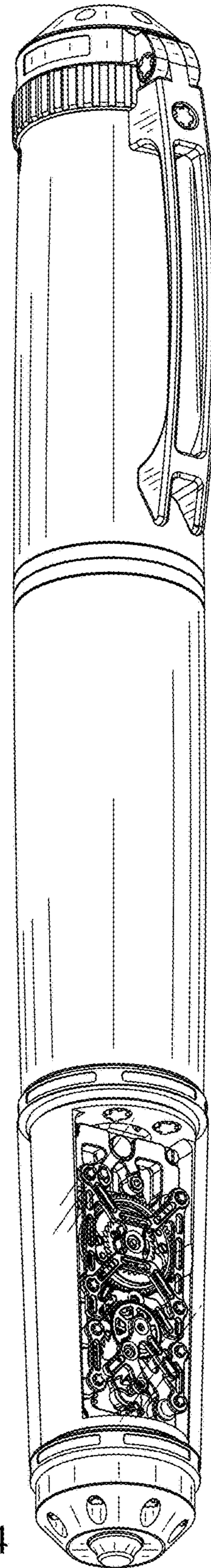


FIG. 4

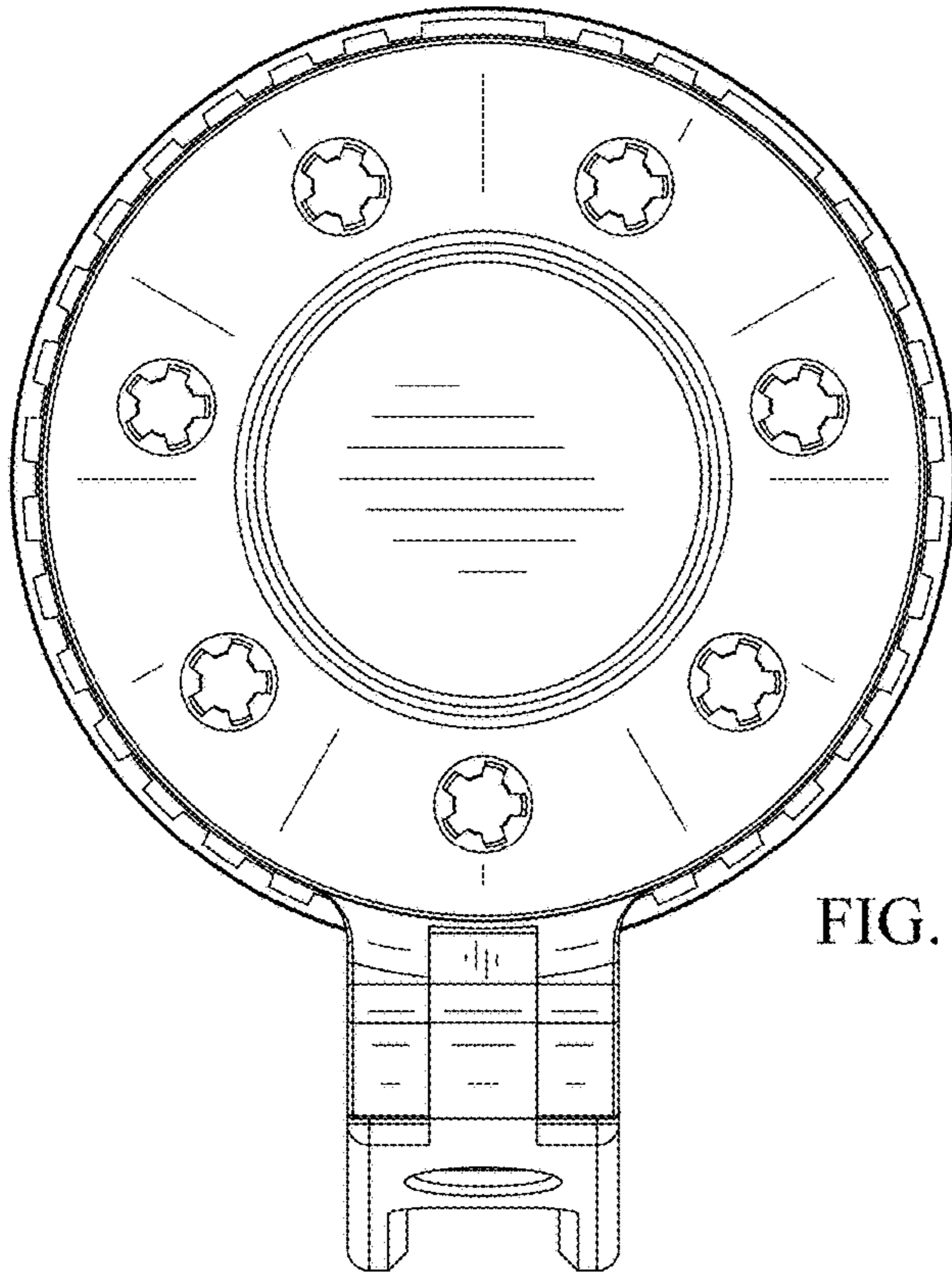


FIG. 5

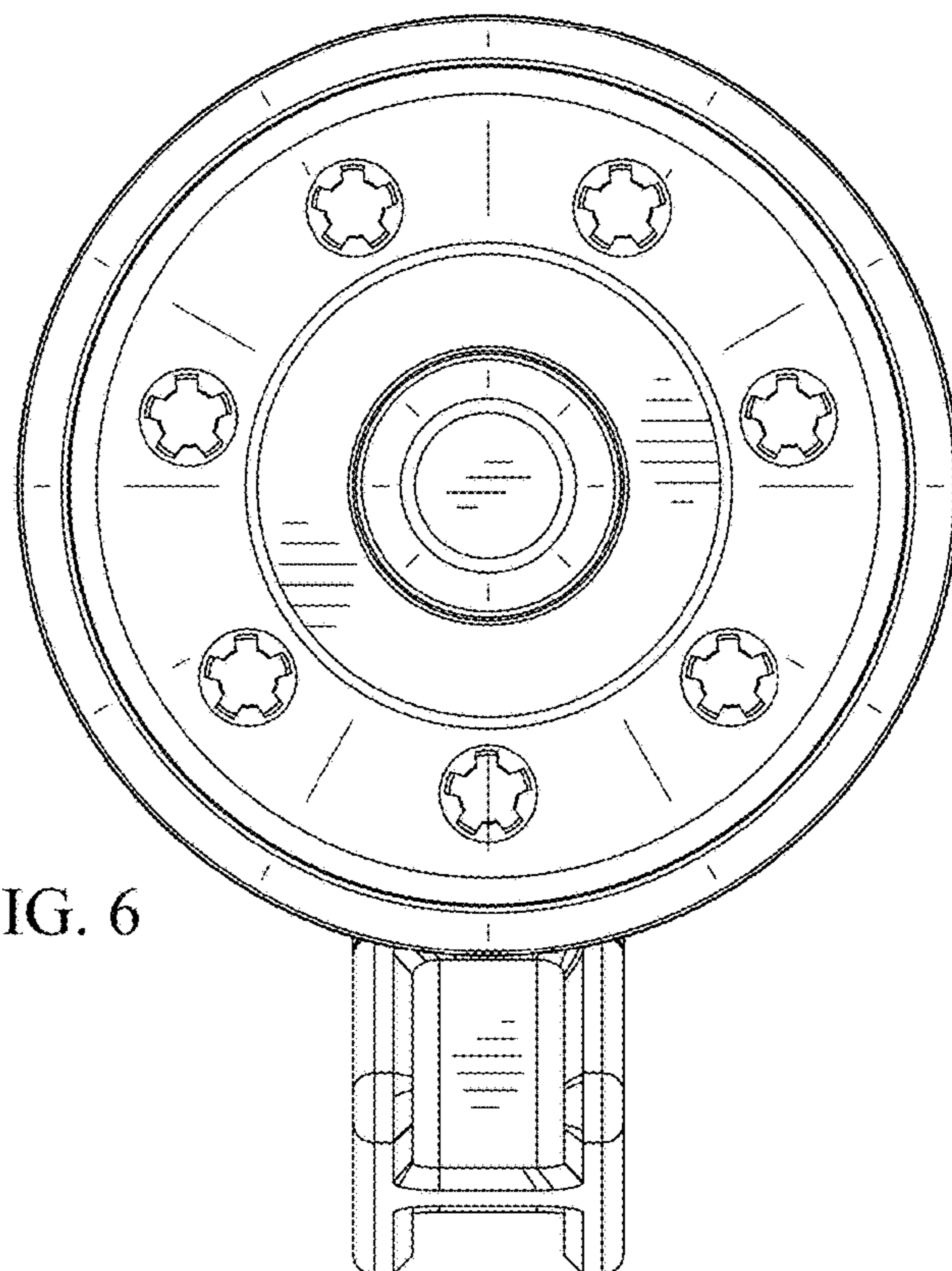


FIG. 6

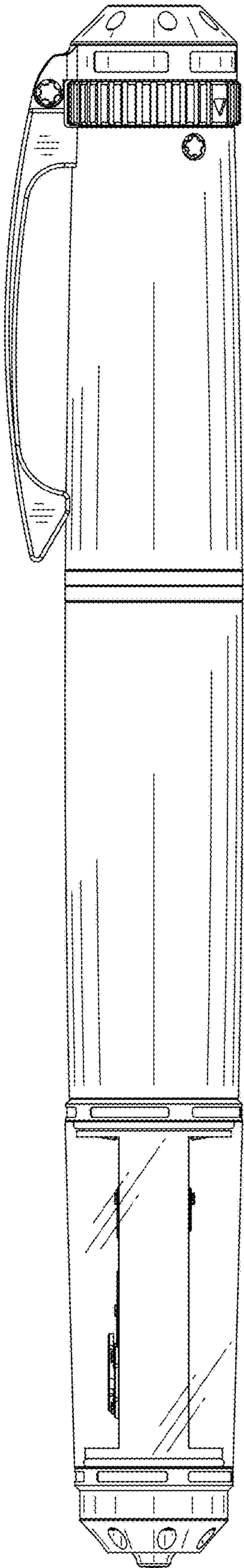


FIG. 7

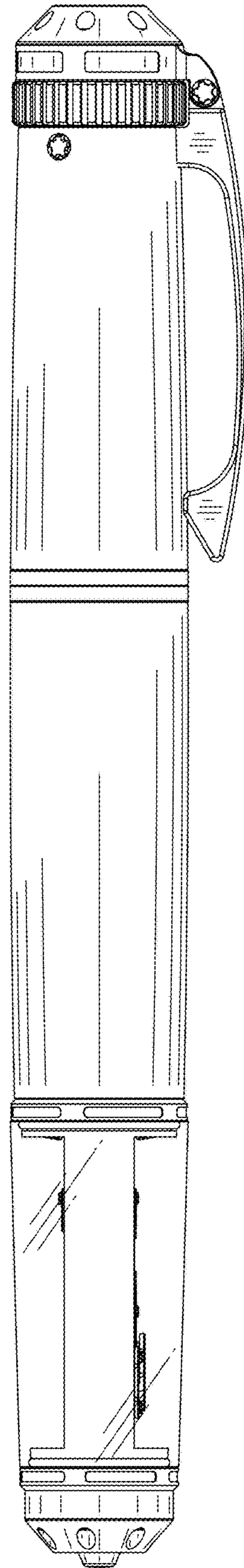


FIG. 8

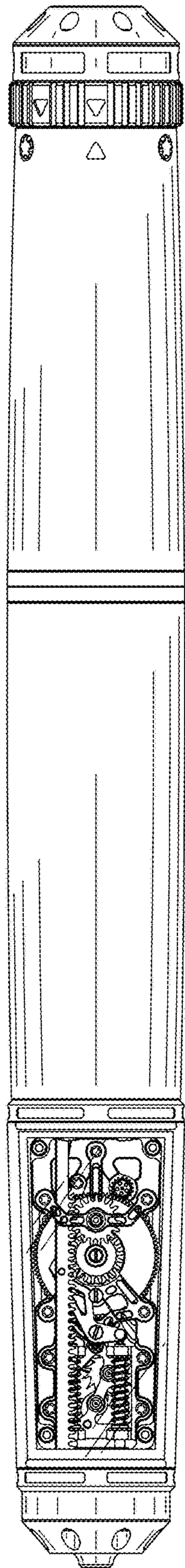


FIG. 9

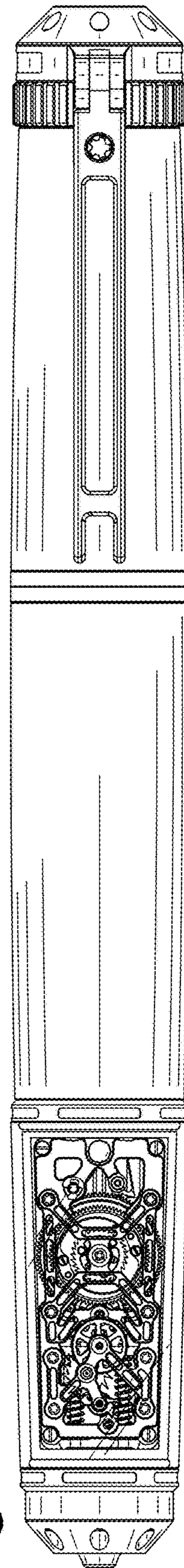


FIG. 10