



US00D802663S

(12) **United States Design Patent** (10) **Patent No.:** **US D802,663 S**
Creasy (45) **Date of Patent:** **** Nov. 14, 2017**

(54) **FOLDING CHALKBOARD**
(71) Applicant: **Stephen Joseph Creasy**, New York, NY (US)
(72) Inventor: **Stephen Joseph Creasy**, New York, NY (US)
(**) Term: **15 Years**
(21) Appl. No.: **29/576,665**
(22) Filed: **Sep. 6, 2016**
(51) **LOC (10) Cl.** **19-06**
(52) **U.S. Cl.**
USPC **D19/114**
(58) **Field of Classification Search**
USPC D10/64; D19/26-31, 88, 113, 114;
D20/10, 19, 27, 39, 40, 41, 42
CPC .. B43L 1/00; B43L 1/004; B43L 1/008; B43L 1/12; B43L 5/00; G06F 7/00; G06F 15/00; G06F 15/0006; G06F 15/0012; G06F 15/0056; G09F 2007/1834; G09F 2007/1843; G09F 2007/1847; G09F 7/04
See application file for complete search history.

3,597,869 A * 8/1971 Ruyle A47G 1/0605
40/763
3,668,799 A * 6/1972 Sharron A47G 1/0605
40/759
D251,648 S * 4/1979 Graviner D19/113
D252,758 S * 8/1979 Prall D19/114
D272,788 S * 2/1984 Churley D6/311
5,565,253 A * 10/1996 Crawford B43L 5/025
206/389
D377,948 S * 2/1997 Pruhs D19/113
6,021,593 A * 2/2000 Hite G09F 15/0012
40/595
D572,026 S * 7/2008 Panicia D6/311
D586,402 S * 2/2009 Mangado Beloqui D20/39
D686,420 S * 7/2013 Beach D6/310
D695,029 S * 12/2013 Jewett D6/310
D762,772 S * 8/2016 Tsuruoka D14/371
D784,452 S * 4/2017 Miller D19/113
2016/0331157 A1* 11/2016 Best G09F 9/30
2016/0347112 A1* 12/2016 Chow B43L 1/00
2016/0363831 A1* 12/2016 Ash G02F 1/157

* cited by examiner

Primary Examiner — Elizabeth Albert

(57) **CLAIM**

What is claimed is the ornamental design for a folding chalkboard, as shown and described.

DESCRIPTION

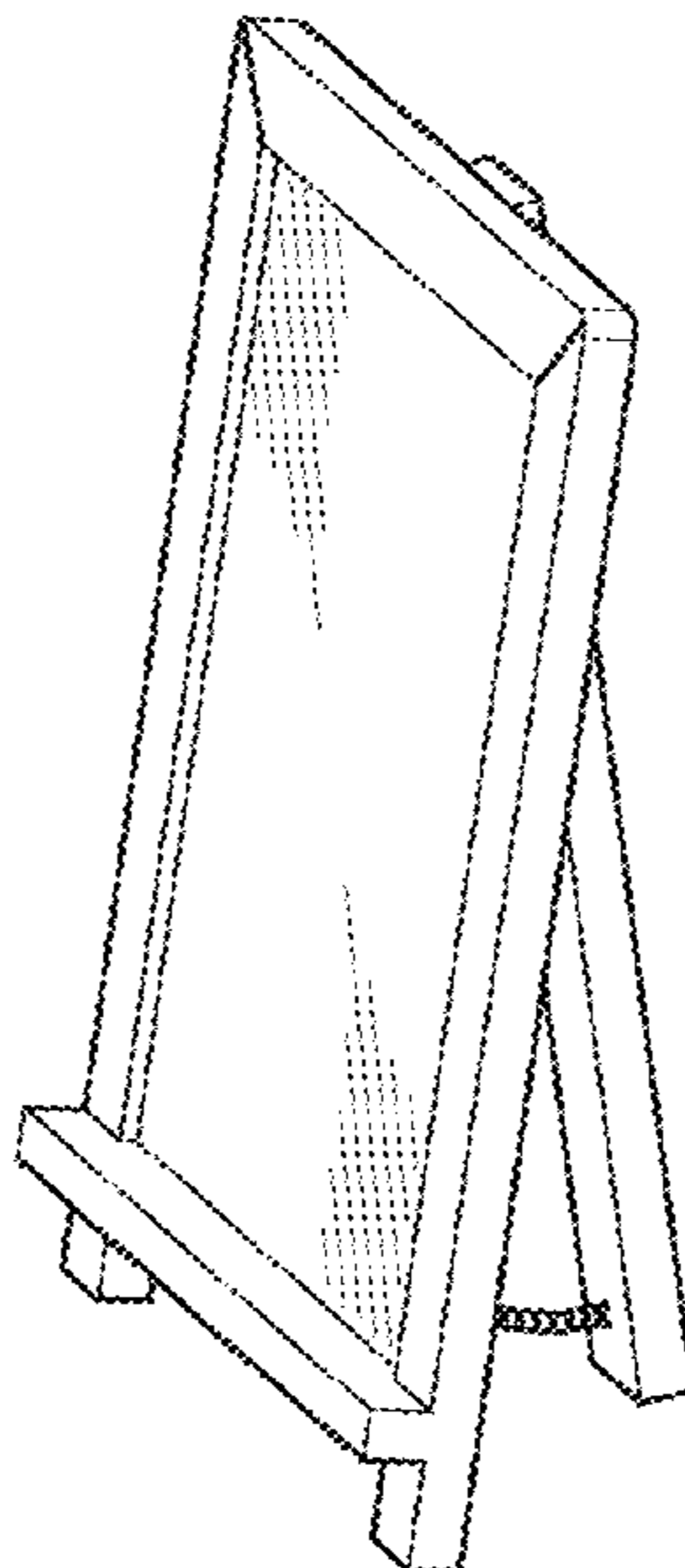
FIG. 1 is a front top perspective view of a folding chalkboard showing the new design.
FIG. 2 is a rear top perspective view thereof.
FIG. 3 is a front view thereof.
FIG. 4 is a rear view thereof.
FIG. 5 is a top view thereof.
FIG. 6 is a bottom view thereof; and,
FIG. 7 is a side view thereof with the opposite side view being a mirror image thereof.

1 Claim, 2 Drawing Sheets

(56) **References Cited**

U.S. PATENT DOCUMENTS

1,571,771 A * 2/1926 Fischer G09F 15/0006
40/611.05
1,606,784 A * 11/1926 Hines A47B 97/04
108/1
D79,670 S * 10/1929 Sarafian D20/10
1,877,669 A * 9/1932 Kitze A47B 83/008
297/156
D91,287 S * 1/1934 Weiler et al. D19/114
2,249,663 A * 7/1941 Minnick A47G 1/0611
40/748
D177,324 S * 4/1956 Hartman D6/336



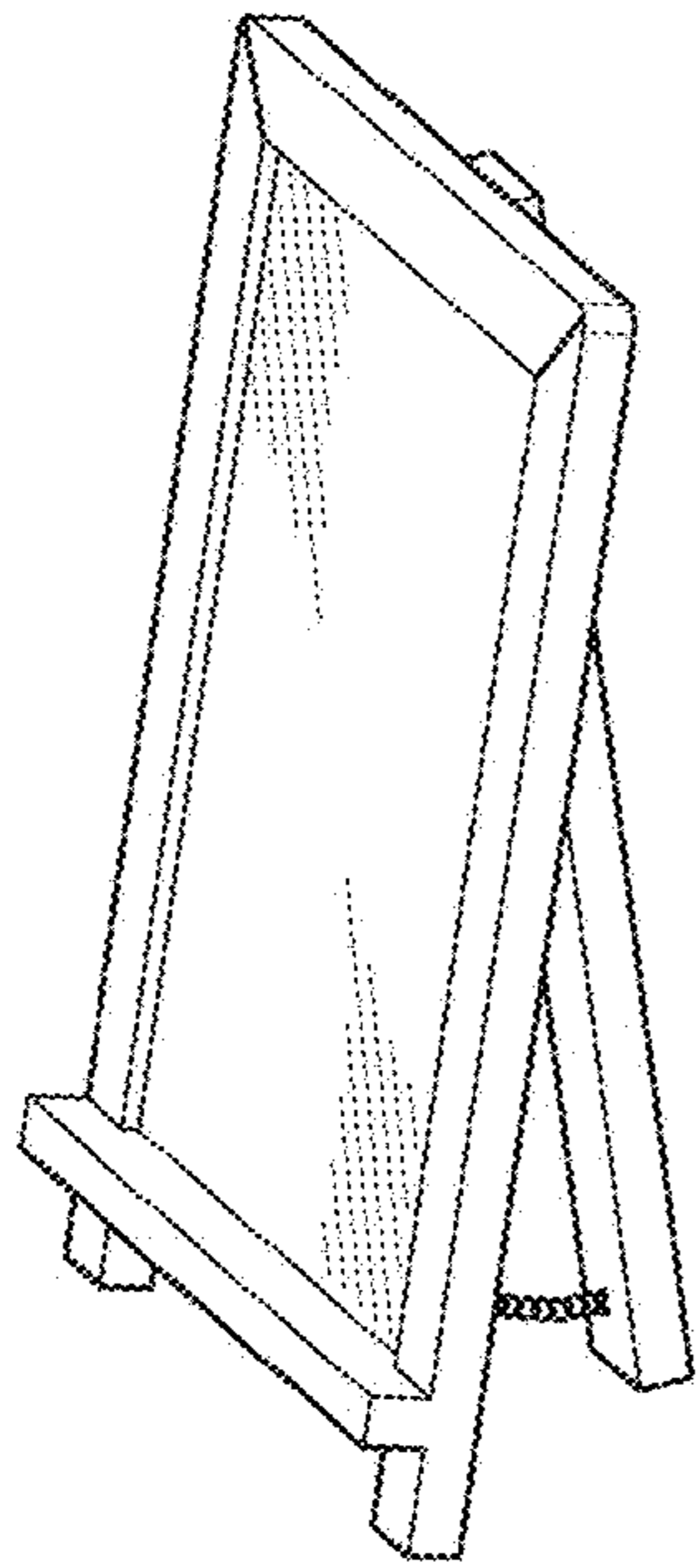


FIG. 1

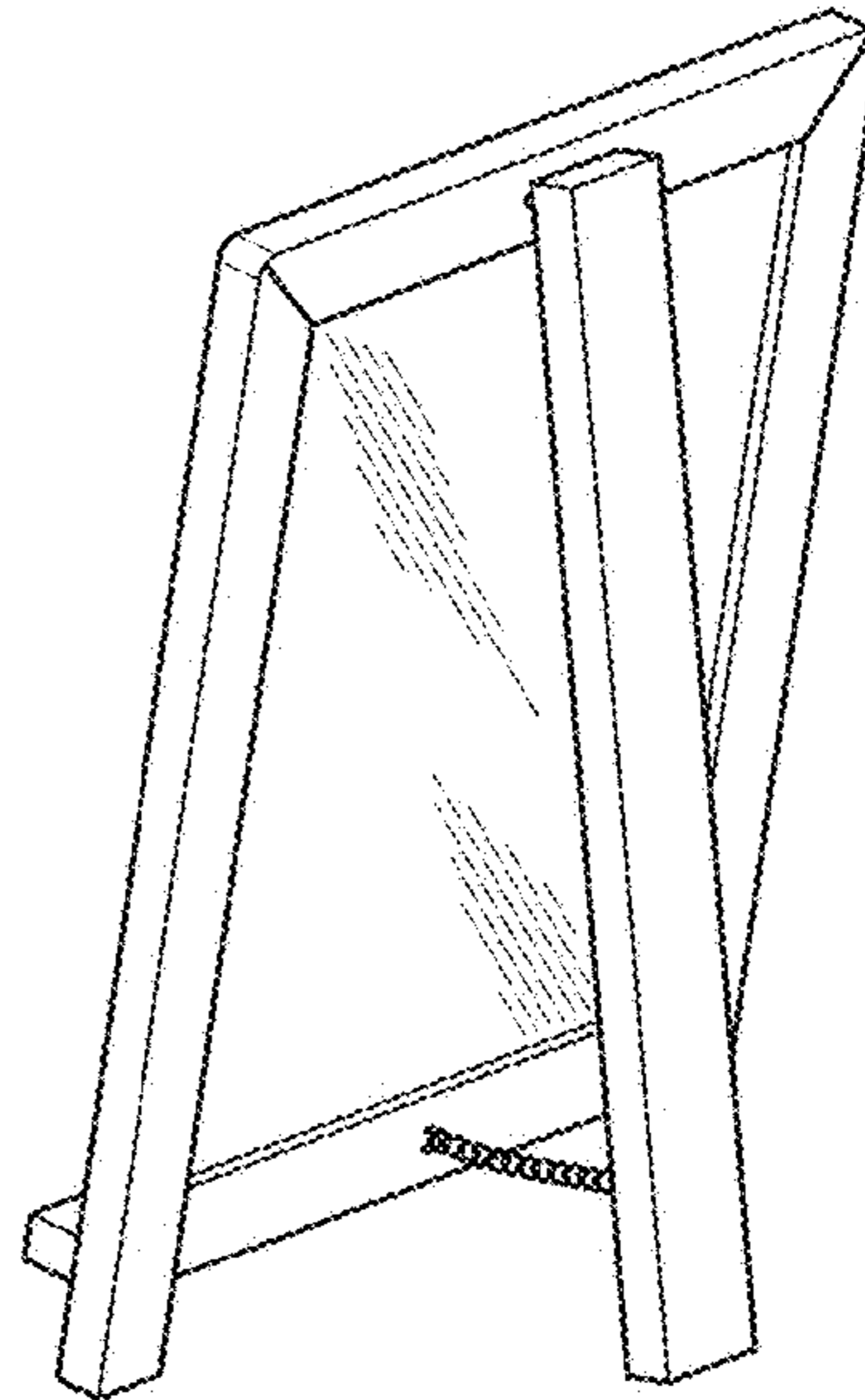


FIG. 2

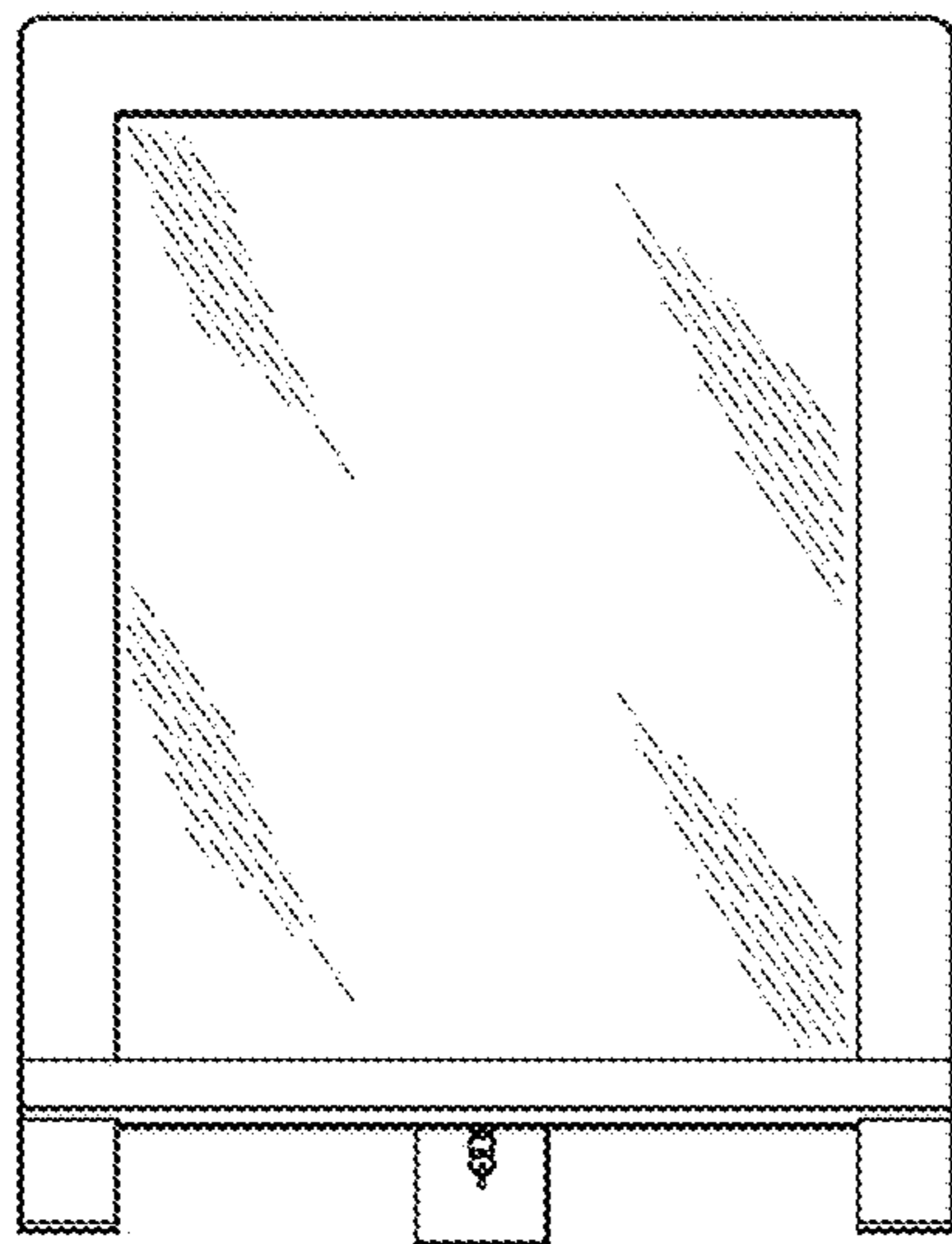


FIG. 3

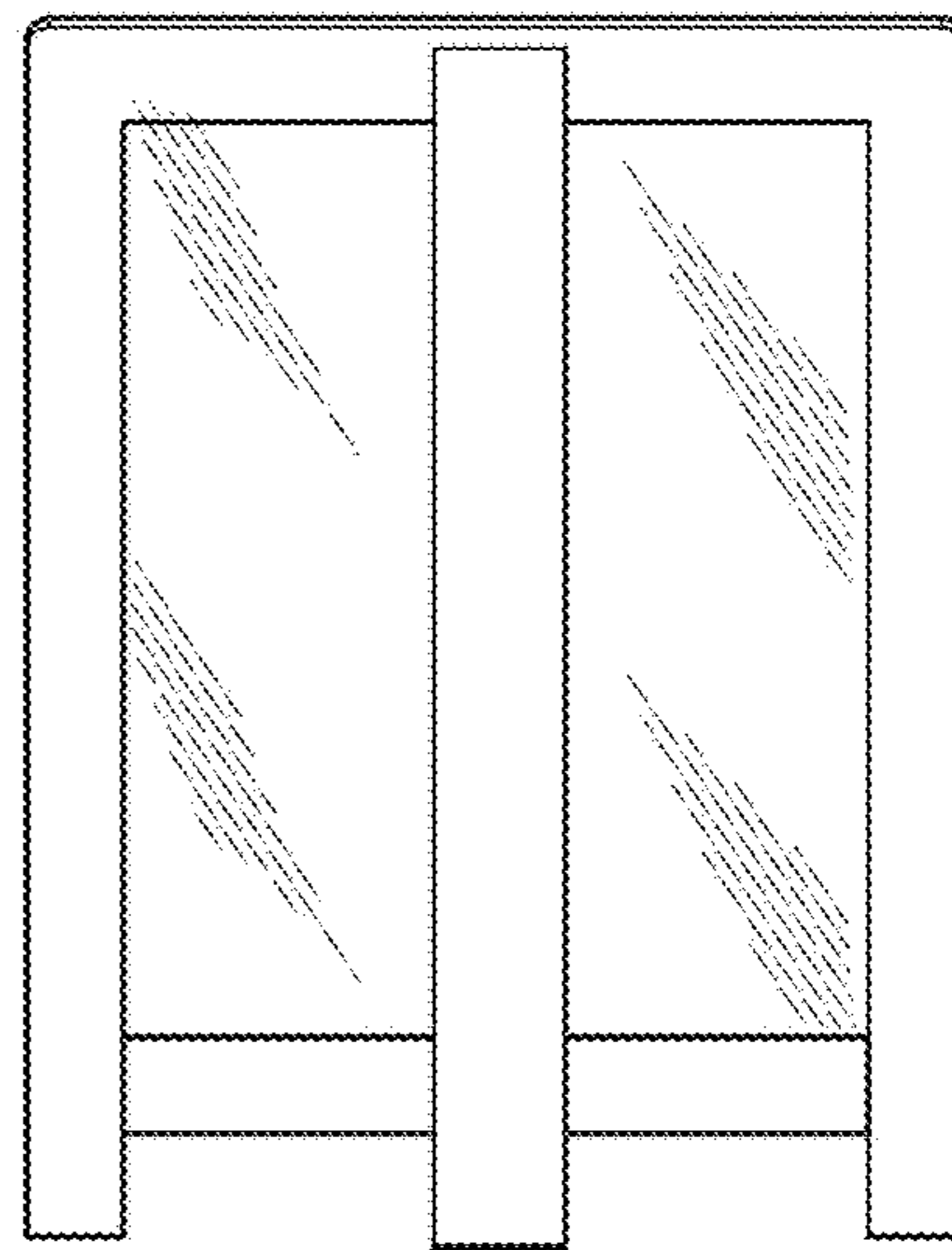


FIG. 4

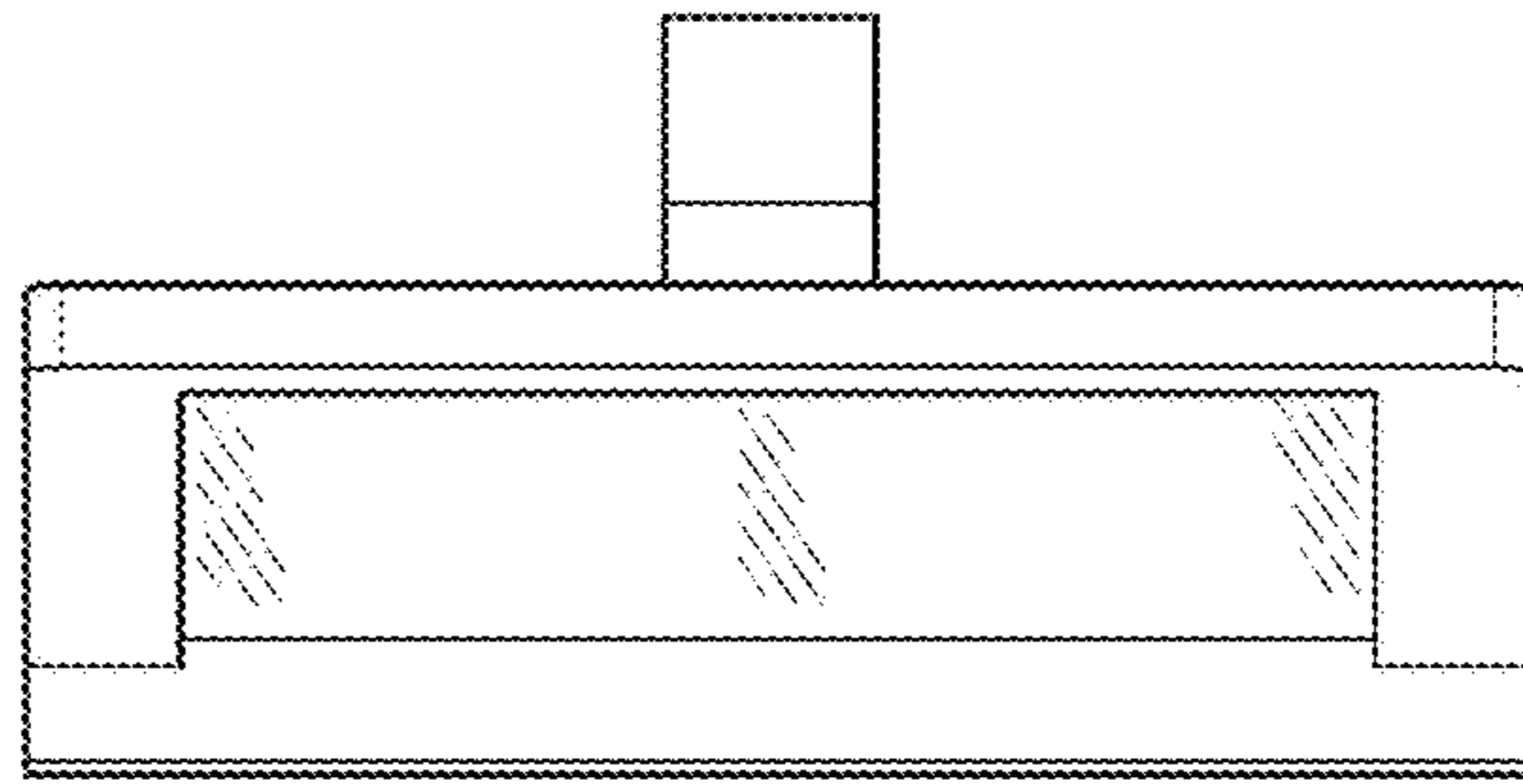


FIG. 5

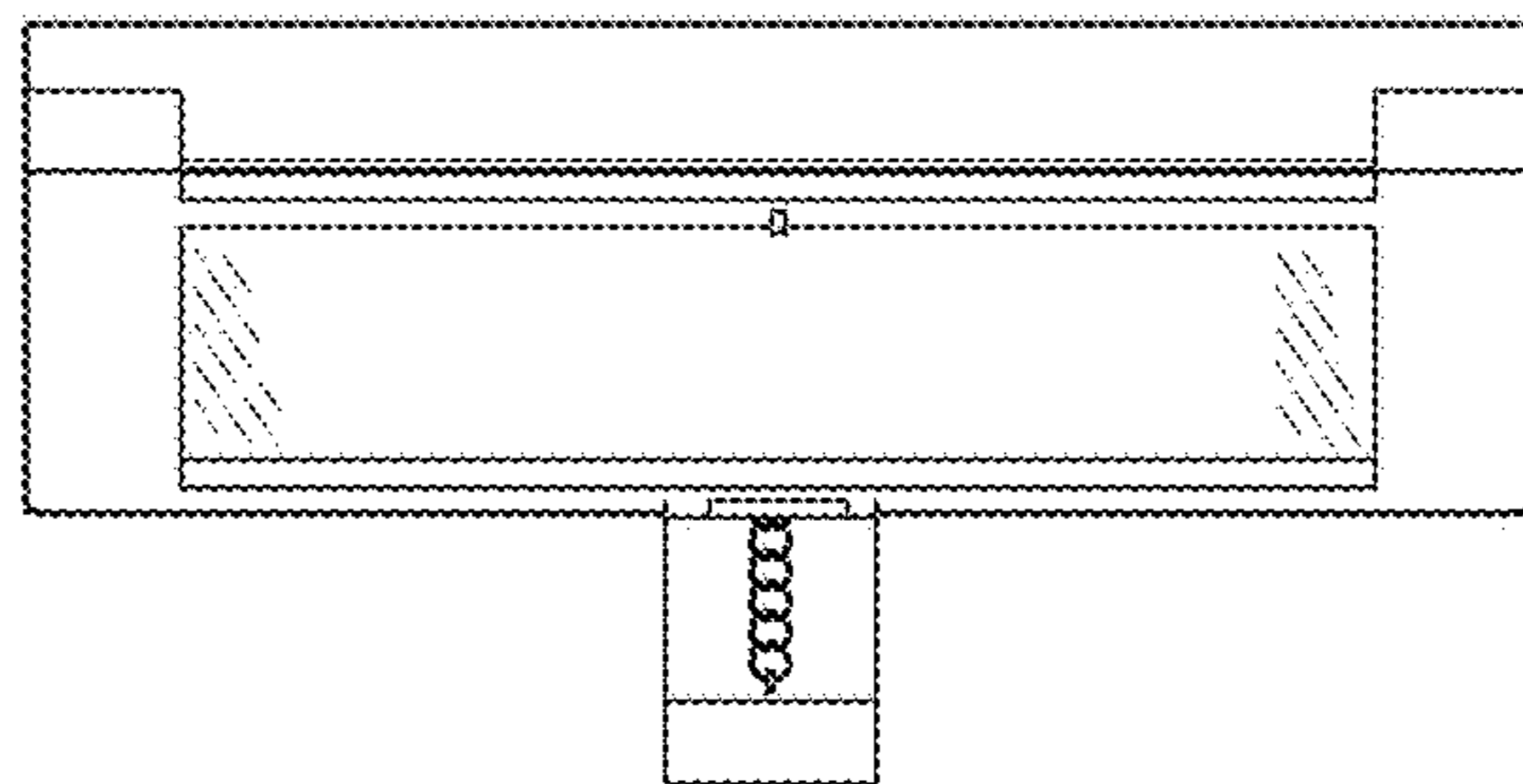


FIG. 6

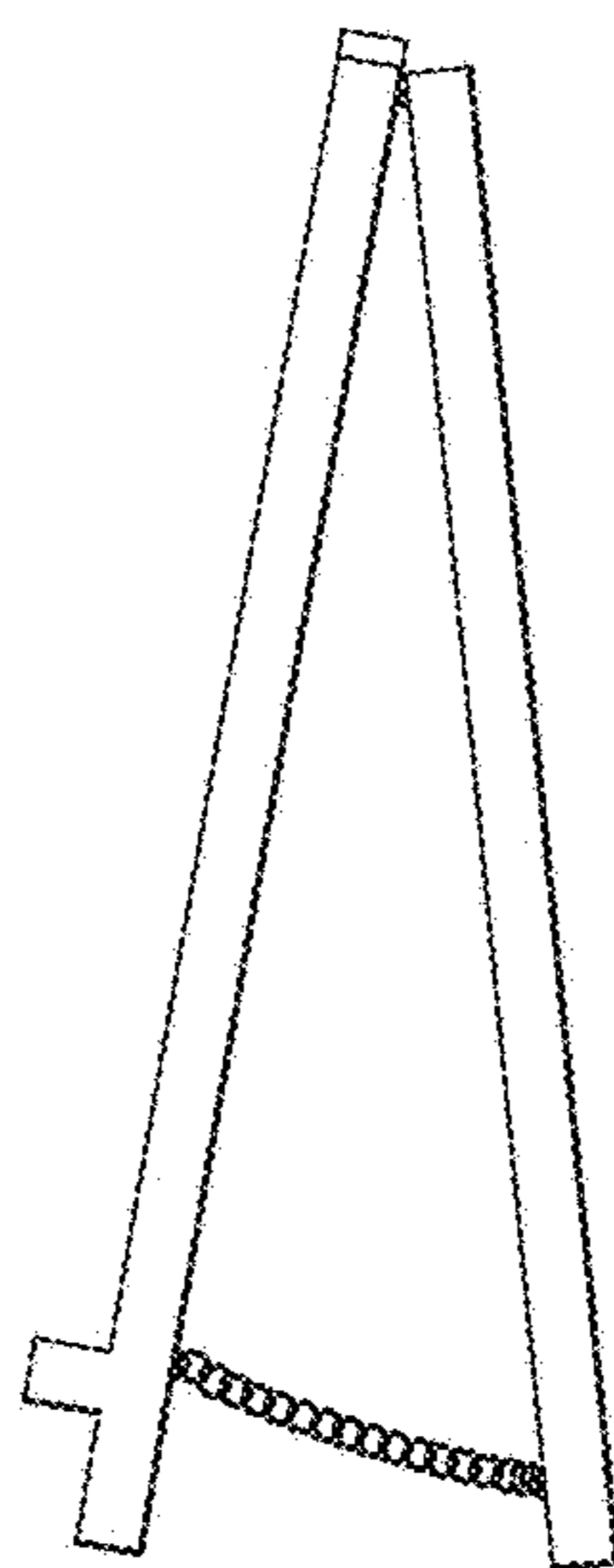


FIG. 7