



US00D802662S

(12) **United States Design Patent** (10) **Patent No.:** **US D802,662 S**
Ho (45) **Date of Patent:** **** Nov. 14, 2017**

(54) **SQUARE STICKER MAKER**
(71) Applicant: **BAILIJIA CANDY TOYS AND GIFT PRODUCTION (DONGGUAN) LIMITED**, Dongguan (CN)

(72) Inventor: **Antia Ho**, Dongguan (CN)
(73) Assignee: **BAILIJIA CANDY TOYS AND GIFT PRODUCTION (DONGGUAN) LIMITED**, Dongguan (CN)

(**) Term: **15 Years**

(21) Appl. No.: **29/582,801**

(22) Filed: **Oct. 31, 2016**

(30) **Foreign Application Priority Data**

Sep. 26, 2016 (CN) 2016 3 0481736

(51) **LOC (10) Cl.** **19-99**

(52) **U.S. Cl.**
USPC **D19/66**

(58) **Field of Classification Search**
USPC D19/66, 67, 925, 926
CPC B65H 16/005
See application file for complete search history.

(56) **References Cited**

U.S. PATENT DOCUMENTS

- 6,102,323 A * 8/2000 Riemenschneider B65H 16/005 242/422.4
- D453,355 S * 2/2002 Potter D19/69
- D463,496 S * 9/2002 Holbrook D19/67
- D569,913 S * 5/2008 Crawford D19/69

- D602,529 S * 10/2009 Kokaisel D19/67
- D603,902 S * 11/2009 Greaves D19/67
- D612,429 S * 3/2010 Hochmuth D19/67
- 9,463,950 B2 * 10/2016 Yu Chen B65H 75/185

* cited by examiner

Primary Examiner — Daniel Bui

Assistant Examiner — Andrew Kerr

(74) *Attorney, Agent, or Firm* — Ming Chow; Sinorica, LLC

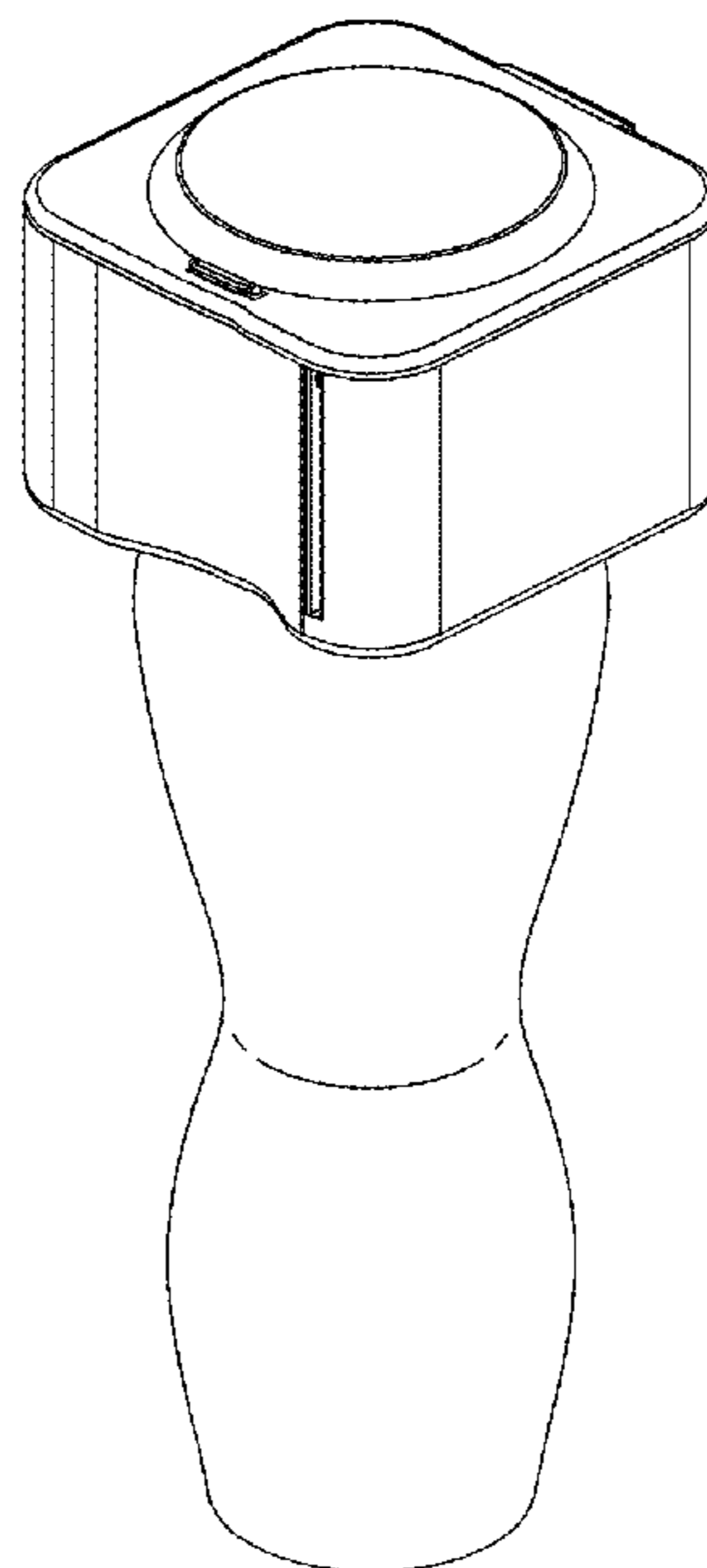
(57) **CLAIM**

The ornamental design for a square sticker maker, as shown and described.

DESCRIPTION

FIG. 1 is a perspective view of the square sticker maker showing my new design;
FIG. 2 is a front elevation view thereof;
FIG. 3 is a rear elevation view thereof;
FIG. 4 is left side view thereof;
FIG. 5 is a top plan view thereof; and,
FIG. 6 is a bottom plan view thereof.

1 Claim, 6 Drawing Sheets



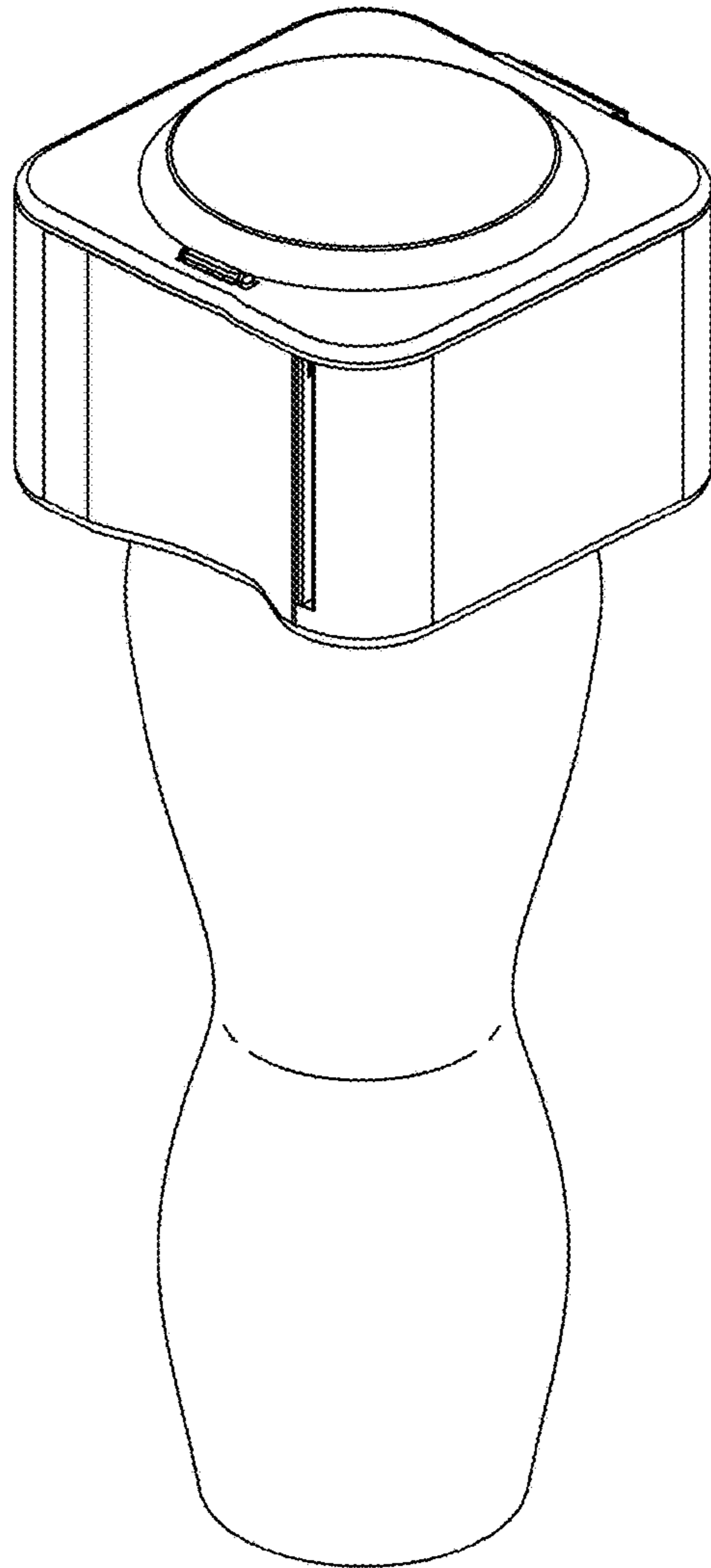


FIG.1

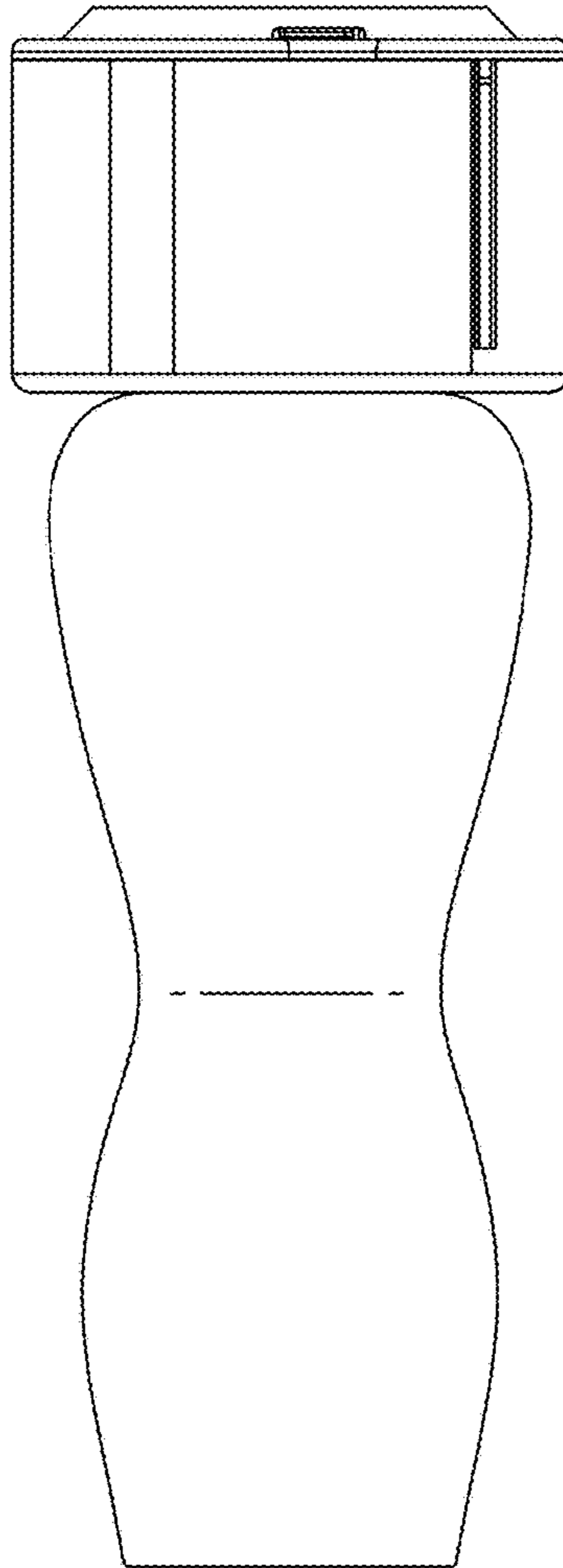


FIG.2

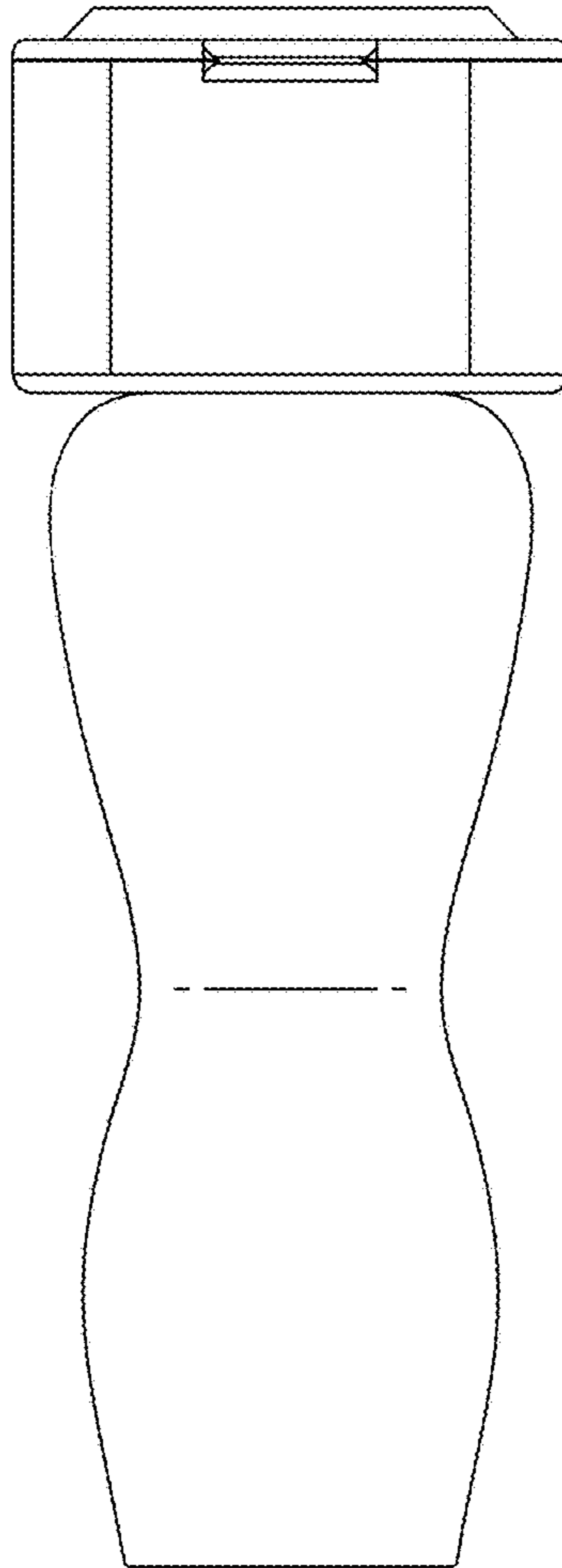


FIG.3

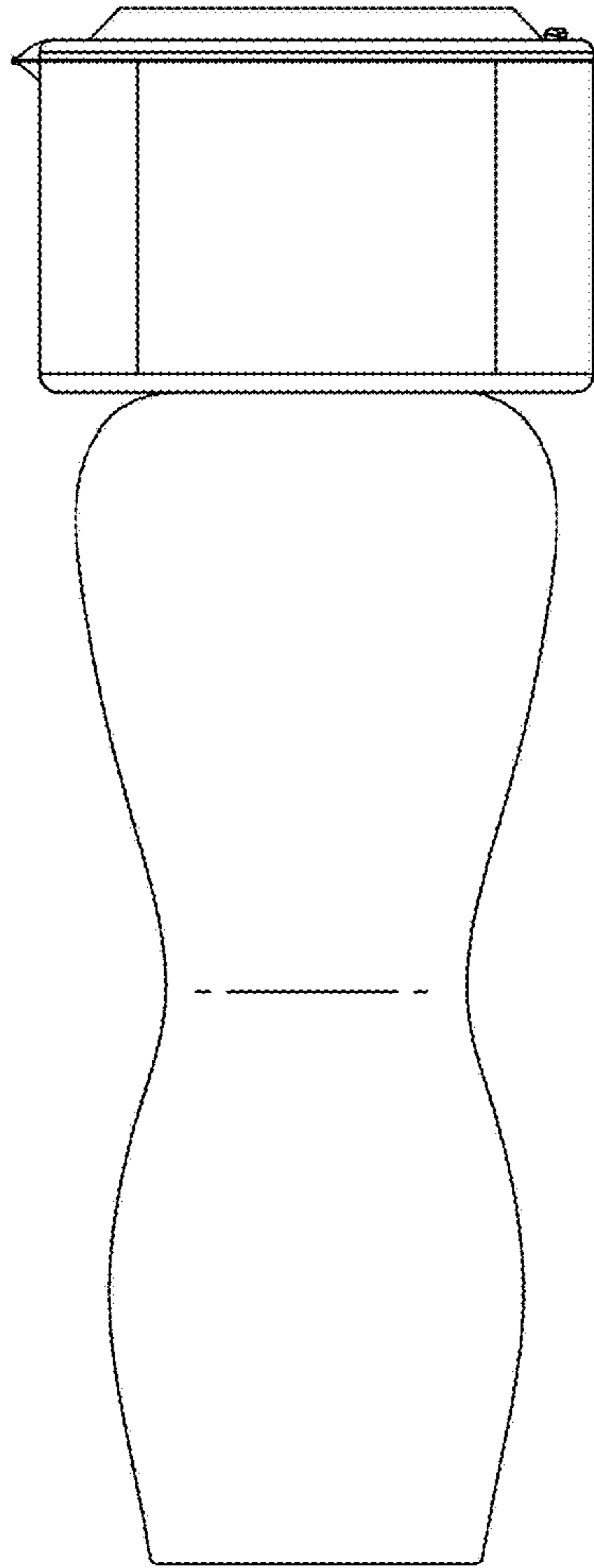


FIG.4

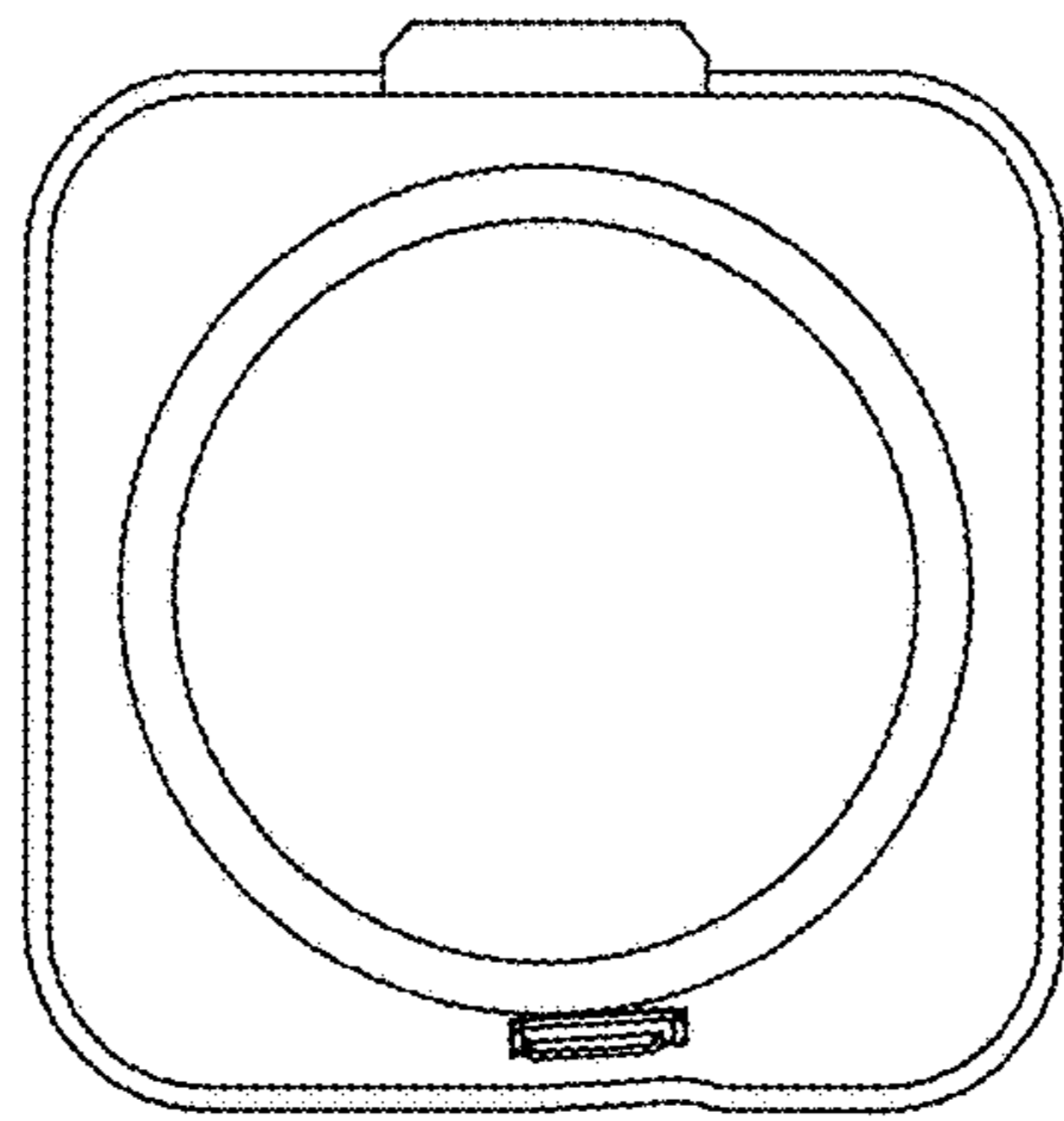


FIG.5

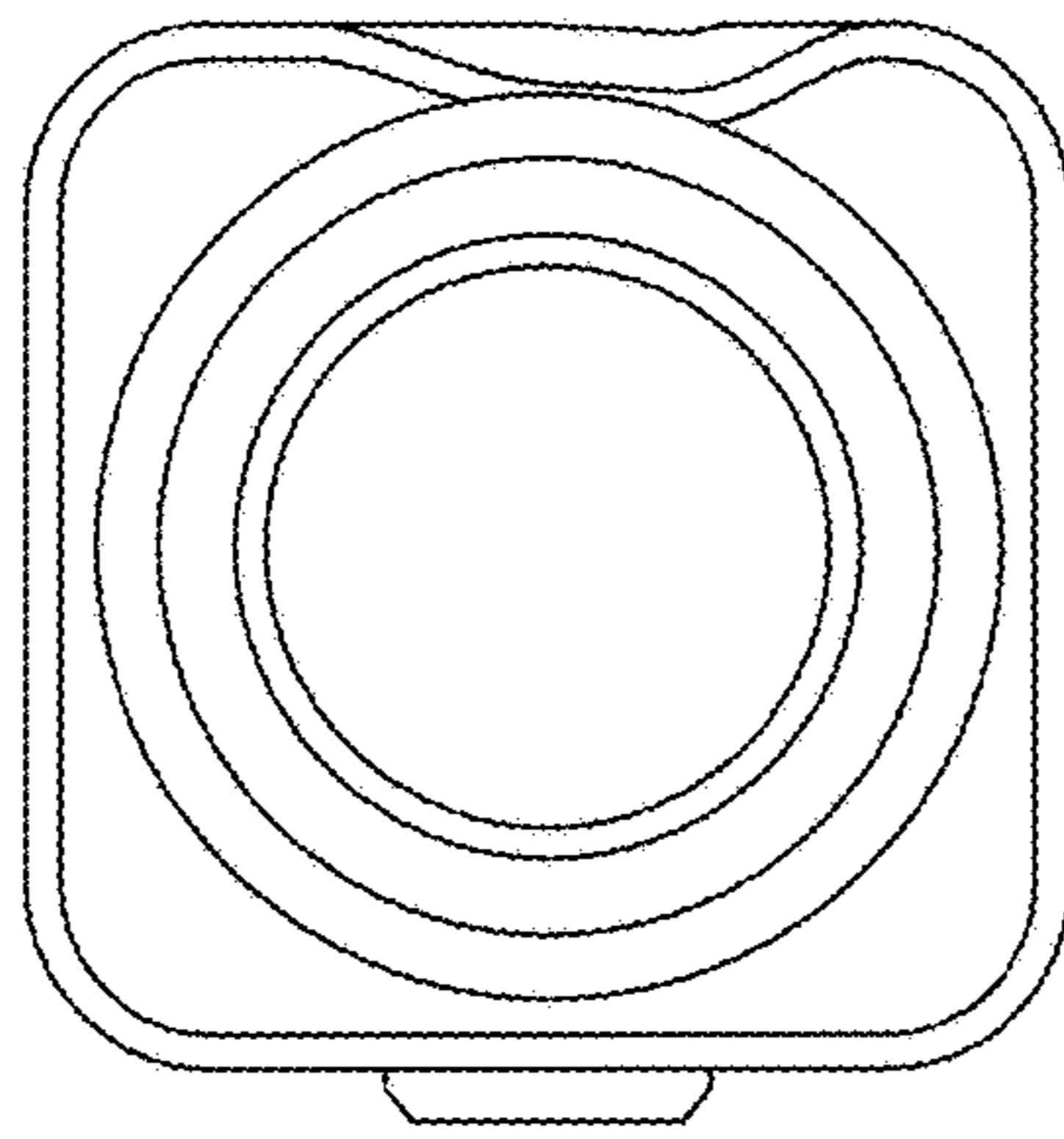


FIG.6