



US00D802661S

(12) **United States Design Patent**  
**Salatandre**

(10) **Patent No.:** **US D802,661 S**

(45) **Date of Patent:** **\*\* Nov. 14, 2017**

(54) **VIDEO CARD**

(71) Applicant: **Edgar Davin Salatandre**, Toronto (CA)

(72) Inventor: **Edgar Davin Salatandre**, Toronto (CA)

(\*\*) Term: **15 Years**

(21) Appl. No.: **29/537,347**

(22) Filed: **Aug. 25, 2015**

(51) **LOC (10) Cl.** ..... **19-01**

(52) **U.S. Cl.**  
USPC ..... **D19/2**

(58) **Field of Classification Search**

USPC ..... D19/2, 1, 26, 113, 59-64, 75, 100, 4;  
D20/10, 19, 40, 43, 99; D14/341, 345,  
D14/435-438, 474, 477-483, 496, 498,  
D14/501, 507, 511, 125, 129, 135, 154,  
D14/167, 168, 172, 203.1-203.4, 203.7,  
D14/217, 224.1, 226, 229, 238.1, 239,  
D14/259, 299; 40/1, 124.01-124.191,  
40/717-725, 797, 798, 455, 463;  
283/117, 72-75, 103, 105, 106; 206/730,  
206/449, 232; 345/204; 386/362, 343;  
434/308-318; 348/61; 455/41.2, 414.1;  
709/206; 705/26.5; 439/65  
CPC .. B42D 15/00; B42D 15/008; B42D 15/0086;  
B42D 15/02; B42D 15/022; B42D  
15/027; B42D 15/04; B42D 15/042;  
B42D 15/045; B42D 15/08; B42D  
15/085; B42D 25/00; B42D 25/20; B42D  
25/21; B42D 25/22; B42D 25/285; B42D  
25/30; B42D 25/305; B42D 25/351;  
B42D 25/36; B42D 25/364; B42D 25/40;  
B42D 2033/46; G09F 27/00; G09F  
27/004; G09F 1/00-1/06; G09F 1/12;  
G09F 5/00; G09F 5/02; G09F 23/00;  
G09F 23/10; G09F 23/14; G09F 25/00;  
G09F 2025/005; G09F 2027/002; G09F  
19/00; G09F 19/10; G09F 19/12; G09F  
9/30; G11B 33/04; G11B 33/00; G11B  
33/02; G11B 33/022; G11B 33/025;

G11B 33/027; G11B 33/0405; G11B  
23/40; G11B 23/44; G11B 25/00; G11B  
25/04; G11B

(Continued)

(56) **References Cited**

U.S. PATENT DOCUMENTS

4,611,262 A \* 9/1986 Galloway ..... H05K 3/326  
206/232  
5,139,454 A \* 8/1992 Earnest ..... B42D 15/045  
40/124.12

(Continued)

*Primary Examiner* — Susan Moon Lee

(74) *Attorney, Agent, or Firm* — Head, Johnson,  
Kachigian & Wilkinson, PC

(57) **CLAIM**

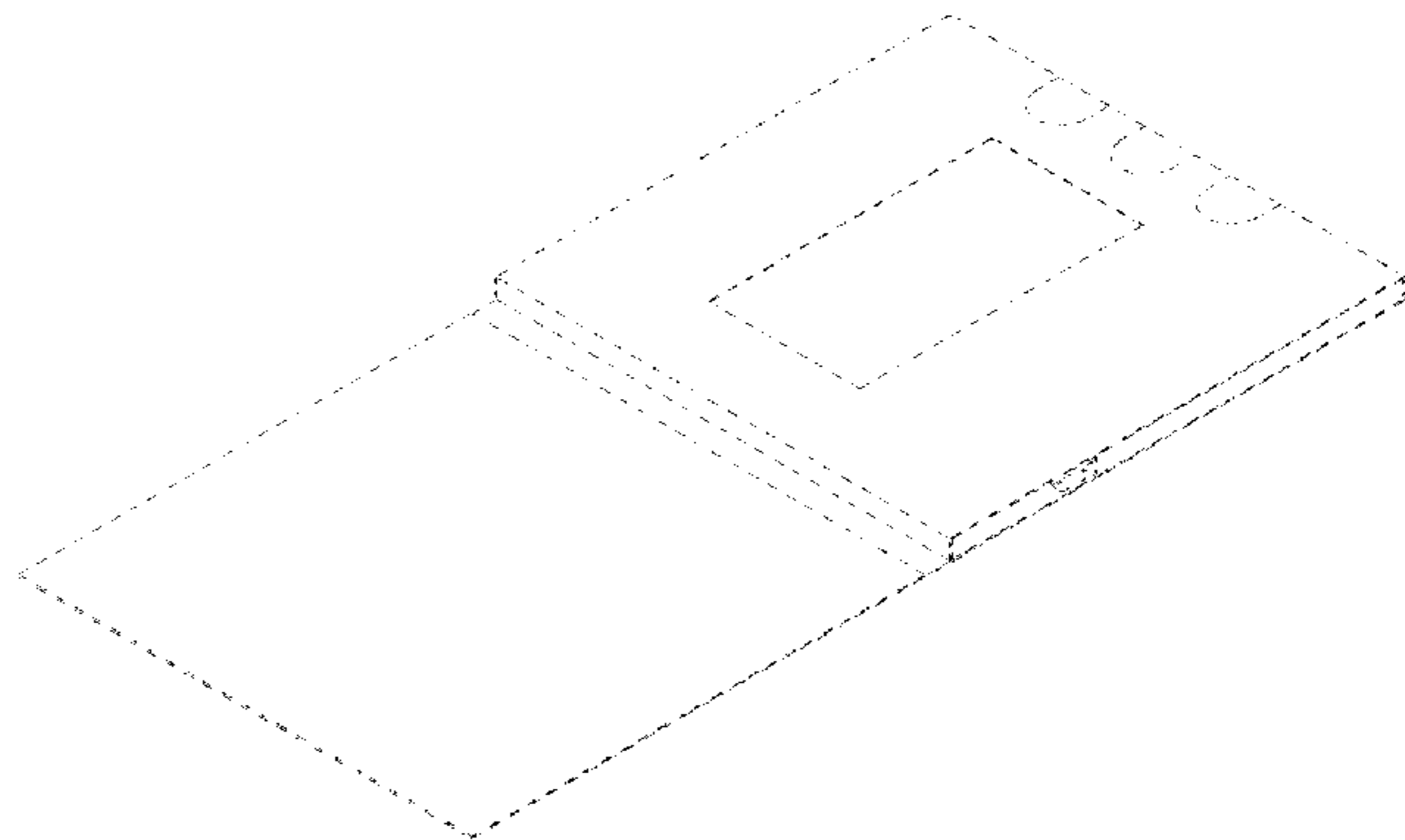
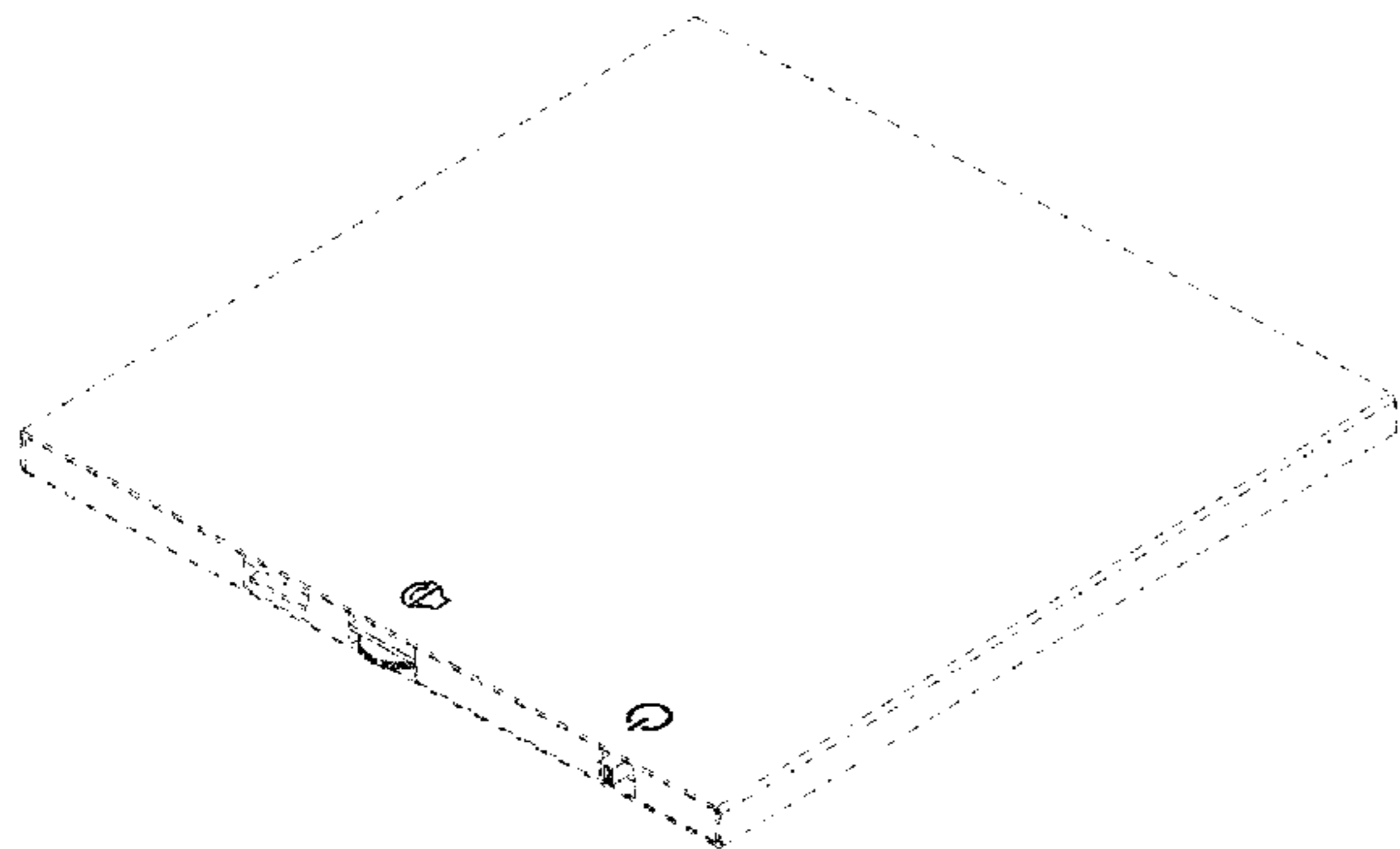
The ornamental design for a video card, as shown and  
described.

**DESCRIPTION**

FIG. 1 is a perspective view of a video card of the present  
invention;  
FIG. 2 is an alternate perspective view thereof;  
FIG. 3 is a top view thereof;  
FIG. 4 is a bottom view thereof;  
FIG. 5 is a right side view thereof;  
FIG. 6 is a left side view thereof;  
FIG. 7 is a front view thereof;  
FIG. 8 is a rear view thereof;  
FIG. 9 is a perspective view of the video card, shown in an  
open position; and,  
FIG. 10 is a top plan view of the video card, shown in an  
open position.

Broken lines and unshaded portions contained within broken  
lines depict environmental portions of the video card that  
form no part of the present design claim but that are shown  
for illustrative purposes.

**1 Claim, 4 Drawing Sheets**



(58) **Field of Classification Search**

CPC ... 25/043; G11B 25/046; G11B 25/063; G11B  
25/066; G11B 25/10; B65D 5/00; B65D  
5/0005; B65D 5/0015; A63H 33/38;  
H04R 1/00; H04R 1/005; H04R 1/02;  
H04R 1/028

See application file for complete search history.

(56) **References Cited**

U.S. PATENT DOCUMENTS

D329,231 S \* 9/1992 Lee ..... D14/507  
D341,591 S \* 11/1993 Nakamura ..... D14/507  
D354,957 S \* 1/1995 Wada ..... D14/507  
5,387,108 A \* 2/1995 Crowell ..... B42D 15/022  
40/124.01  
5,502,463 A \* 3/1996 Sasaki ..... B42D 15/022  
345/204  
D394,255 S \* 5/1998 Napoleone ..... D14/496  
5,825,408 A \* 10/1998 Yuyama ..... H04N 1/0044  
348/14.01  
5,914,707 A \* 6/1999 Kono ..... G06K 19/08  
345/173  
D416,559 S \* 11/1999 Hoyt ..... D14/217  
D419,986 S \* 2/2000 Amron ..... D14/203.7  
D419,987 S \* 2/2000 Amron ..... D14/496  
D420,662 S \* 2/2000 Amron ..... D14/203.7  
D425,885 S \* 5/2000 Amron ..... D14/203.7  
D432,110 S \* 10/2000 Shepherd ..... D14/507  
D438,525 S \* 3/2001 Katayama ..... D14/203.3  
D457,530 S \* 5/2002 Amron ..... D14/203.7  
6,523,285 B1 \* 2/2003 Gilson ..... B42D 15/022  
40/124.03  
D485,252 S \* 1/2004 Takita ..... D14/507  
D488,166 S \* 4/2004 Daniels ..... D10/104.1  
D489,349 S \* 5/2004 Lee ..... D14/510  
D503,409 S \* 3/2005 Wong ..... D14/203.7  
D508,495 S \* 8/2005 Bone ..... D14/203.7  
D514,120 S \* 1/2006 Chan ..... D14/203.7  
D515,098 S \* 2/2006 Lee ..... D14/203.7  
D516,577 S \* 3/2006 Matsuoka ..... D14/160  
D516,578 S \* 3/2006 Matsuoka ..... D14/160  
D516,579 S \* 3/2006 Nakamura ..... D14/160  
D517,087 S \* 3/2006 Sands ..... D14/488  
D524,326 S \* 7/2006 Meng ..... D14/203.7  
D529,510 S \* 10/2006 Cummins ..... D14/489  
D530,721 S \* 10/2006 Skinner ..... D14/496  
7,127,841 B1 \* 10/2006 Weber ..... G09F 27/00  
40/124.03  
D533,563 S \* 12/2006 Kwon ..... D14/203.7  
D539,812 S \* 4/2007 Chuang ..... D14/203.7  
7,331,132 B1 \* 2/2008 Seder ..... G09F 11/04  
40/495  
D568,271 S \* 5/2008 Lee ..... D14/132  
D629,459 S \* 12/2010 Clegg ..... D19/1  
D632,330 S \* 2/2011 Qiao ..... D19/1  
D654,113 S \* 2/2012 Clegg ..... D19/1  
D657,817 S \* 4/2012 Mayer ..... D19/1  
D658,155 S \* 4/2012 Ohta ..... D14/203.3  
D659,754 S \* 5/2012 Rossiter ..... D19/1  
D661,348 S \* 6/2012 Mayer ..... D19/1  
D661,732 S \* 6/2012 Clegg ..... D19/1  
D684,185 S \* 6/2013 van Dongen ..... D14/489  
D685,418 S \* 7/2013 Chambers ..... D19/4  
D697,081 S \* 1/2014 van Dongen ..... D14/489  
D723,054 S \* 2/2015 Nagaoka ..... D14/486  
D727,941 S \* 4/2015 Angelides ..... D14/486  
D730,917 S \* 6/2015 Lee ..... D14/485  
D738,891 S \* 9/2015 Bae ..... G06F 3/04817  
D14/485  
D739,413 S \* 9/2015 Shin ..... D14/485  
D748,142 S \* 1/2016 Kwon ..... D14/492  
D762,262 S \* 7/2016 Richardson ..... D19/1  
9,384,672 B1 \* 7/2016 Zehr ..... B42D 3/123

D765,734 S \* 9/2016 Xiong ..... D14/203.7  
D765,779 S \* 9/2016 Deckerd ..... D19/1  
9,491,876 B2 \* 11/2016 Weber ..... H05K 5/03  
D773,479 S \* 12/2016 Trabona ..... D14/485  
D787,468 S \* 5/2017 Lee ..... D14/203.3  
D788,821 S \* 6/2017 Nguyen ..... D14/203.3  
D788,822 S \* 6/2017 Nguyen ..... D14/203.3  
2001/0005834 A1 \* 6/2001 Simpson ..... G06Q 30/02  
705/26.1  
2002/0019776 A1 \* 2/2002 Simpson ..... G06Q 20/203  
705/22  
2004/0205988 A1 \* 10/2004 Kohler ..... B42D 15/022  
40/124.02  
2004/0237359 A1 \* 12/2004 Lee ..... B42D 15/022  
40/124.03  
2004/0248073 A1 \* 12/2004 Pinkerman ..... G06F 1/1626  
434/308  
2005/0260551 A1 \* 11/2005 Rubin ..... G09B 5/062  
434/317  
2005/0271354 A1 \* 12/2005 Yeh ..... H04N 5/2251  
386/219  
2006/0134591 A1 \* 6/2006 Karat ..... B42D 15/022  
434/308  
2007/0169387 A1 \* 7/2007 Glass ..... G09F 27/00  
40/124.03  
2007/0171278 A1 \* 7/2007 Chen ..... H04N 7/18  
348/61  
2007/0206033 A1 \* 9/2007 Willis ..... G09F 27/00  
346/25  
2008/0289230 A1 \* 11/2008 Mandelbaum ..... B42D 15/022  
40/124.01  
2009/0211126 A1 \* 8/2009 Oh ..... G09F 1/04  
40/124.03  
2009/0238544 A1 \* 9/2009 Orsini ..... H04N 7/17318  
386/362  
2010/0052934 A1 \* 3/2010 Clegg ..... B42D 15/022  
340/815.4  
2010/0085421 A1 \* 4/2010 Hewitt ..... B42D 15/022  
348/36  
2010/0102133 A1 \* 4/2010 DePaula ..... G06K 19/041  
235/492  
2010/0164836 A1 \* 7/2010 Liberatore ..... G06F 1/1616  
345/1.1  
2010/0296010 A1 \* 11/2010 Finnegan ..... B42D 15/045  
348/794  
2010/0307036 A1 \* 12/2010 Lien ..... A63H 33/38  
40/124.03  
2011/0033123 A1 \* 2/2011 Lou ..... B42D 15/022  
382/232  
2011/0066945 A1 \* 3/2011 Lee ..... H04N 5/772  
715/719  
2011/0119967 A1 \* 5/2011 Kawesch ..... B42D 15/022  
40/124.03  
2011/0154698 A1 \* 6/2011 Lin ..... B42D 15/022  
40/124.03  
2011/0214319 A1 \* 9/2011 Hsu ..... G09F 1/00  
40/124.09  
2011/0247247 A1 \* 10/2011 Mayer ..... B42D 15/022  
40/124.03  
2013/0187780 A1 \* 7/2013 Angelides ..... A61B 5/0002  
340/573.1  
2013/0269225 A1 \* 10/2013 Nelson ..... B42D 15/022  
40/124.03  
2014/0041264 A1 \* 2/2014 Chambers ..... B42D 15/027  
40/124.06  
2015/0052788 A1 \* 2/2015 Juetten ..... B42D 15/022  
40/124.09  
2015/0186765 A1 \* 7/2015 Osborne ..... G06K 19/06112  
235/375  
2015/0237290 A1 \* 8/2015 Lee ..... H04N 5/44591  
348/570  
2016/0139752 A1 \* 5/2016 Shim ..... G06F 3/0483  
715/771

\* cited by examiner

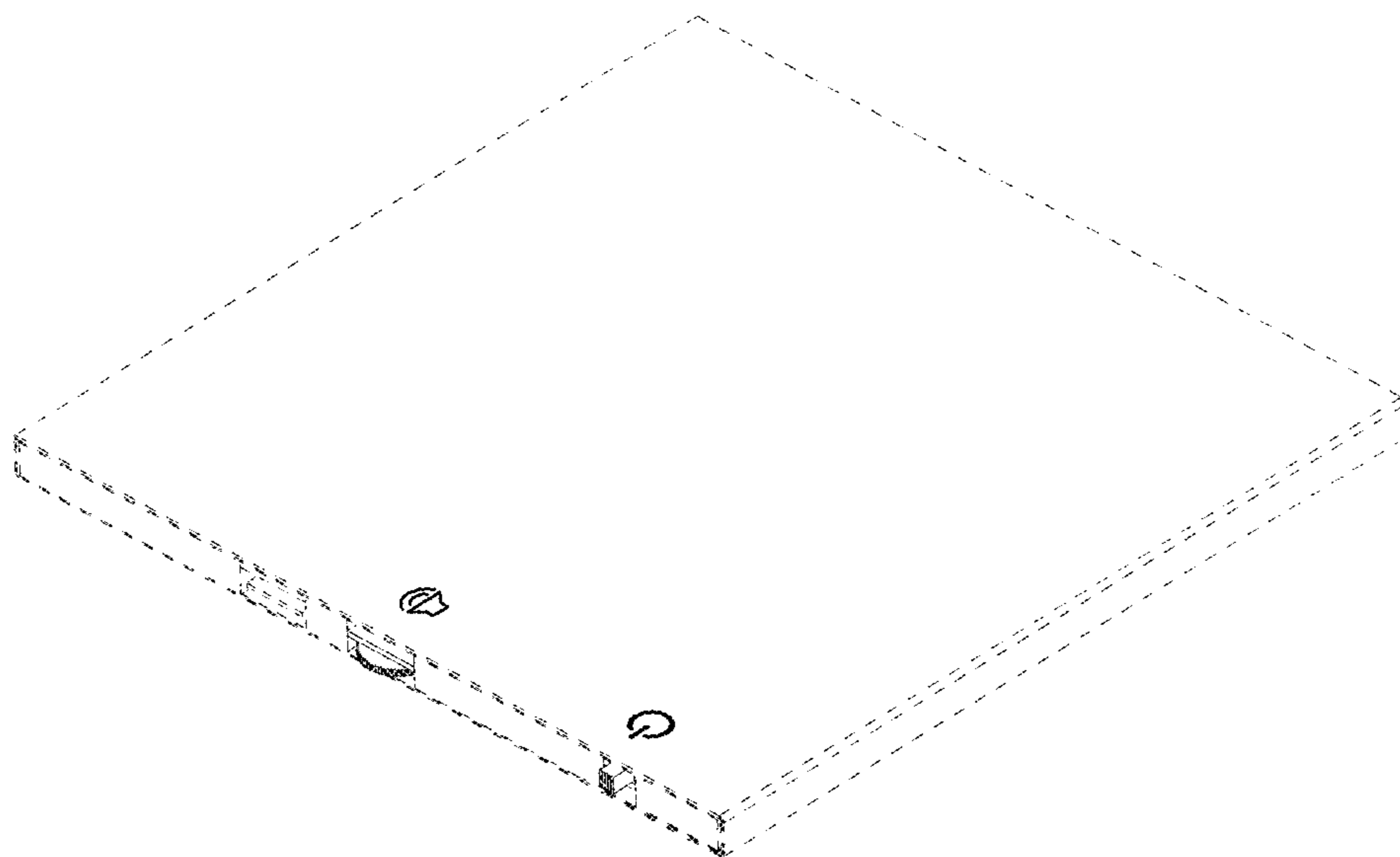


FIG.1

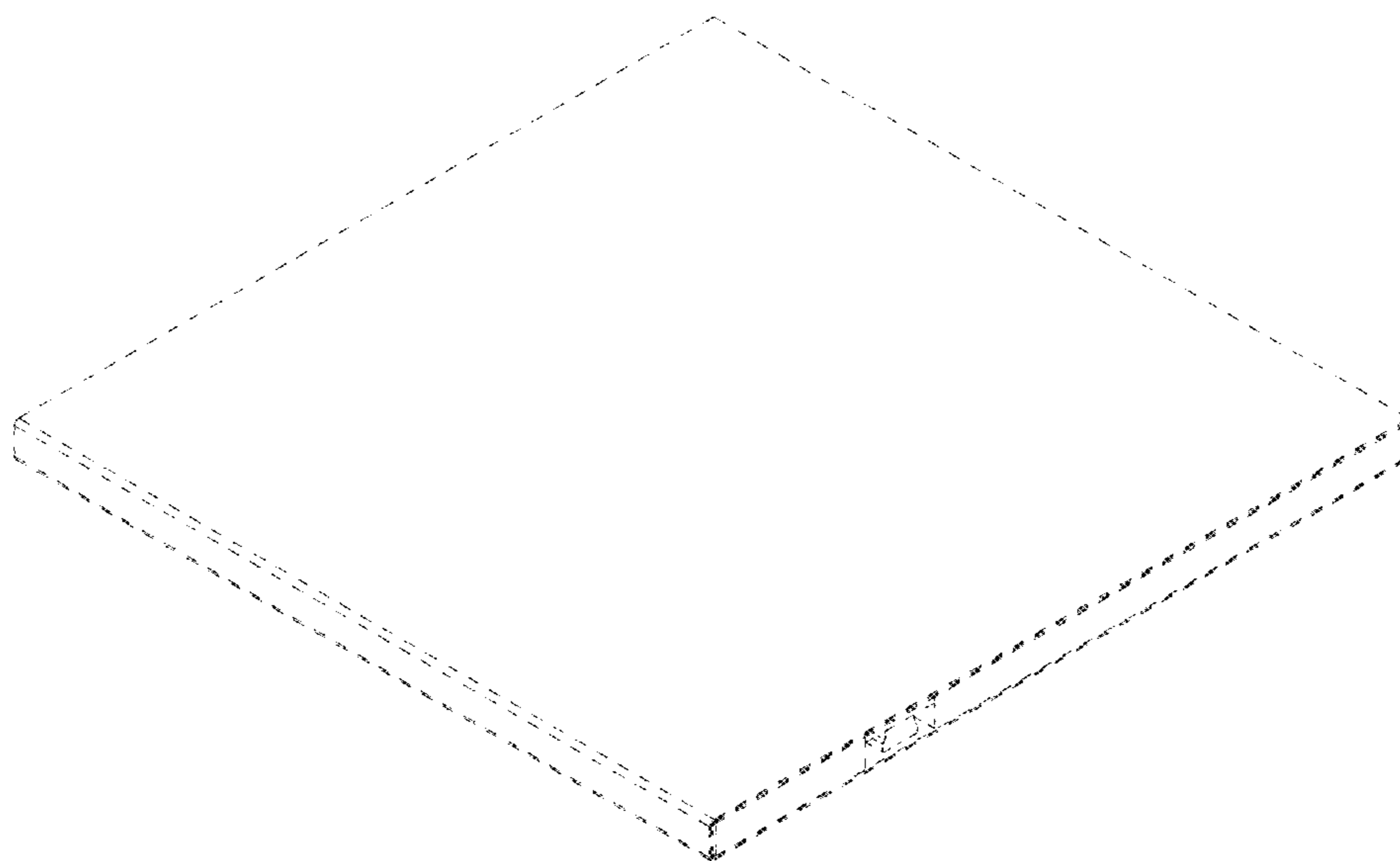


FIG.2

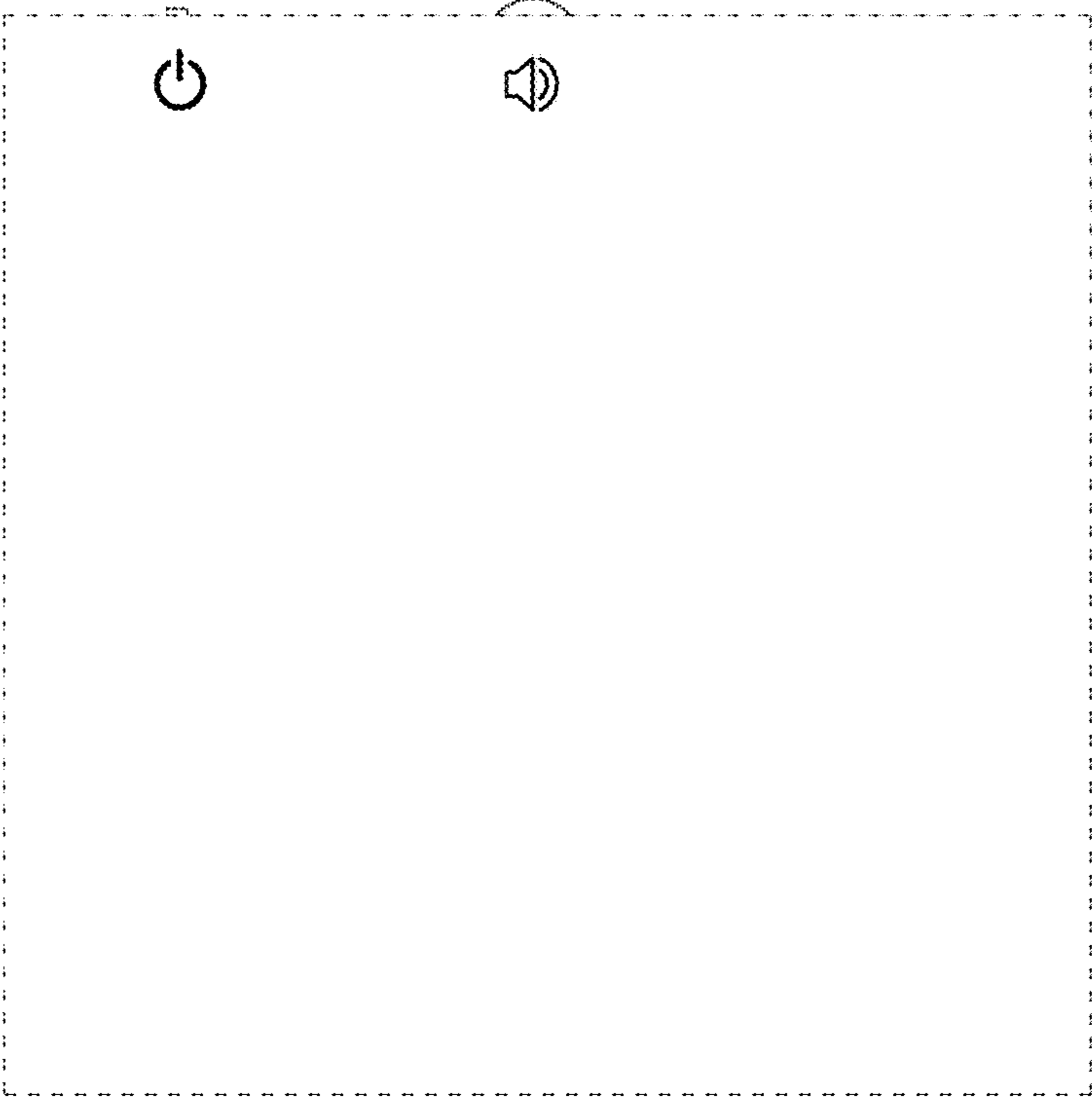


FIG.3



FIG.4



FIG. 5

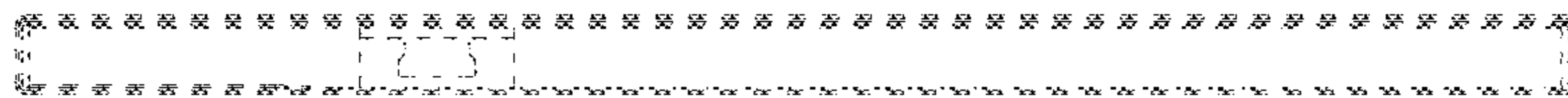


FIG. 6

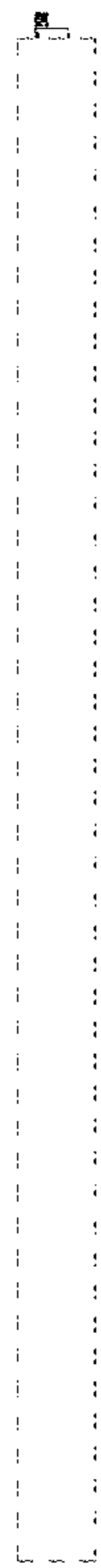


FIG. 7

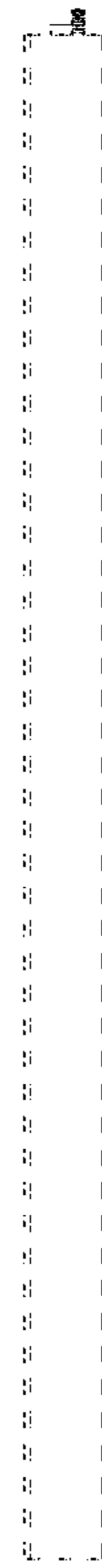


FIG. 8

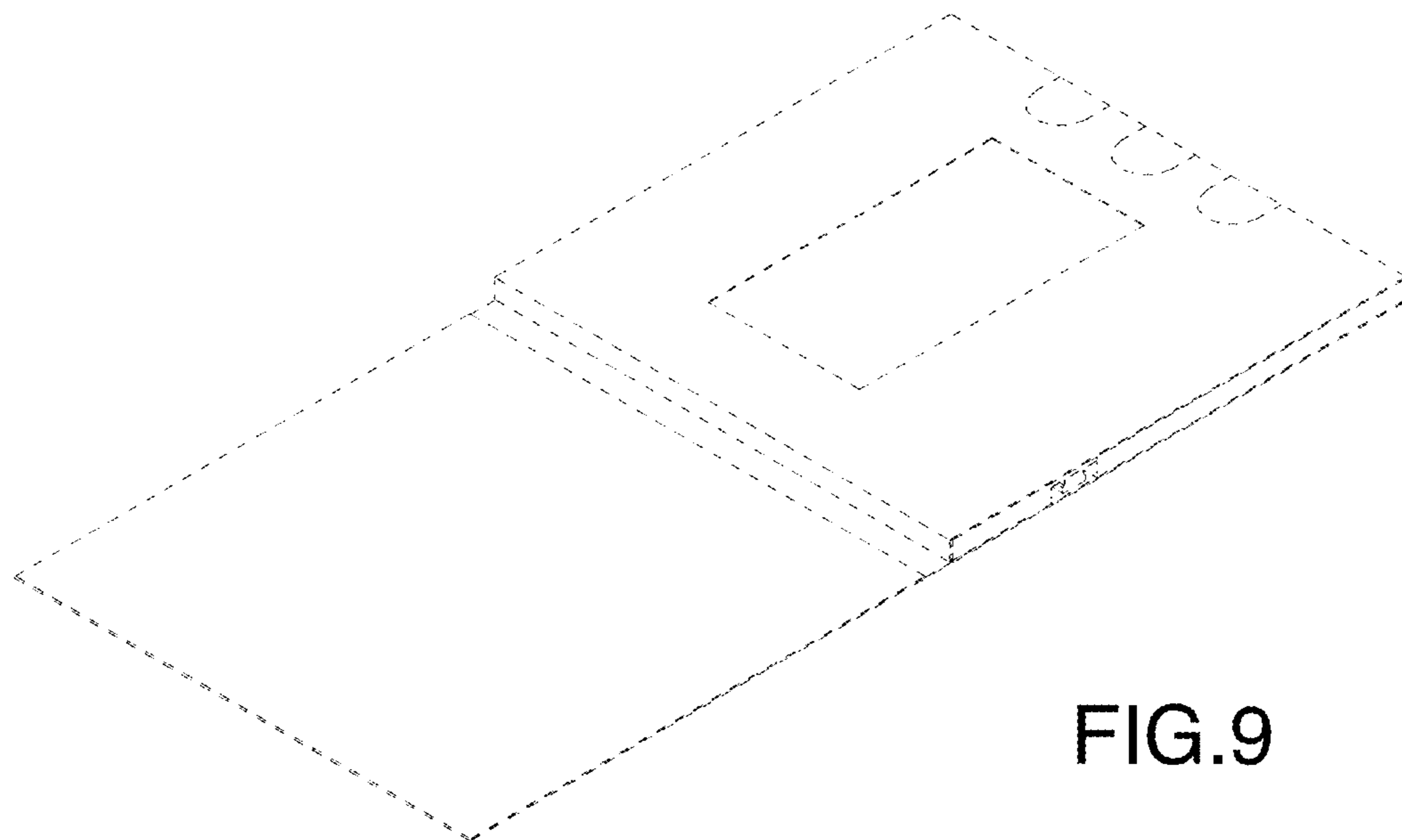


FIG. 9

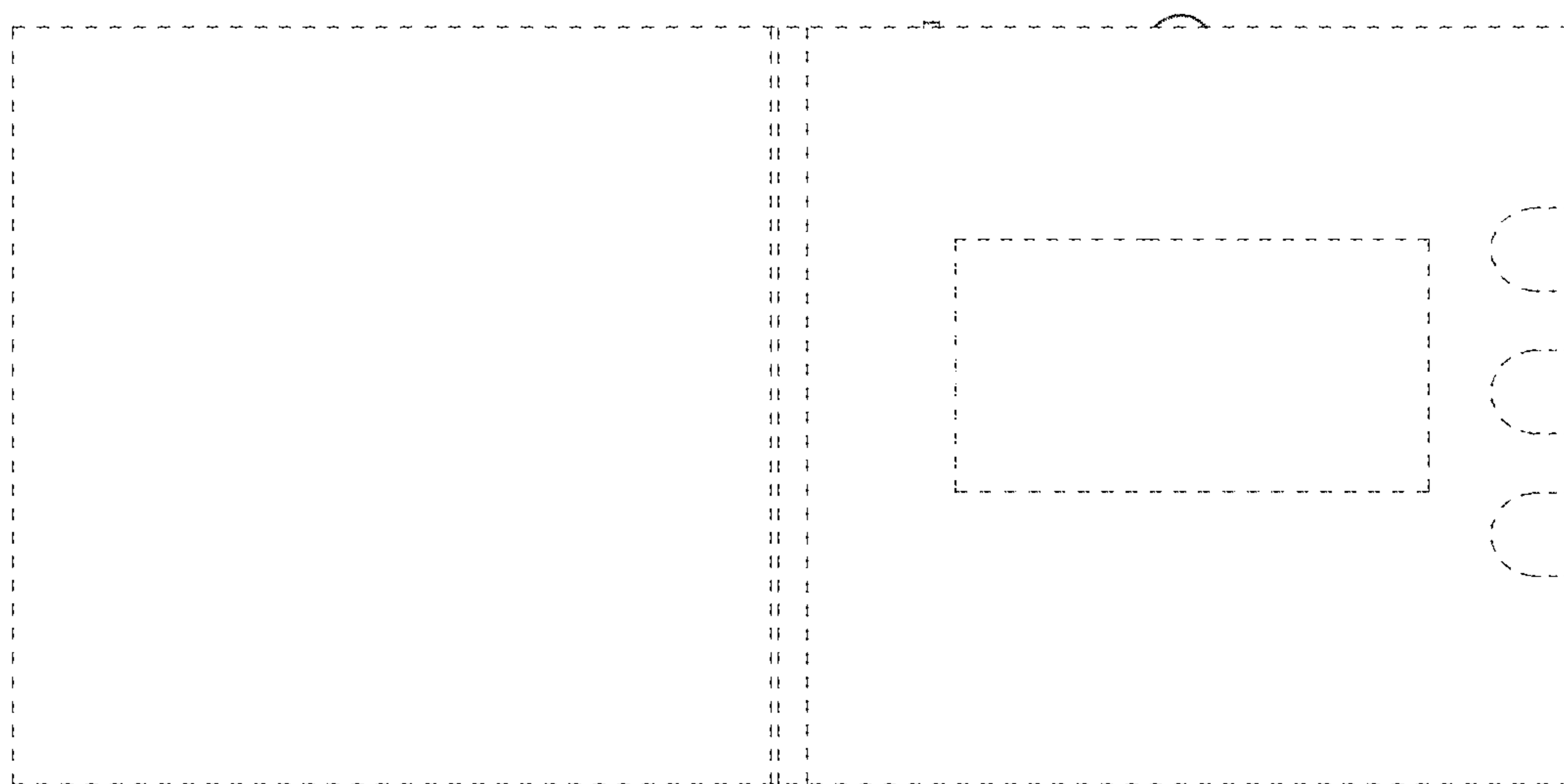


FIG. 10