



US00D802659S

(12) **United States Design Patent** (10) **Patent No.:** **US D802,659 S**
Peng (45) **Date of Patent:** **** Nov. 14, 2017**

(54) **MULTI-FUNCTION PRINTER**
(71) Applicant: **AVISION INC.**, Hsinchu (TW)
(72) Inventor: **Chao-Yu Peng**, Hsinchu (TW)
(73) Assignee: **Avision Inc.** (TW)
(**) Term: **15 Years**

D727,410 S * 4/2015 Saito D18/36
D727,413 S * 4/2015 Katsuyama D18/53
D727,414 S * 4/2015 Katsuyama D18/53
D727,415 S * 4/2015 Takeda D18/53
(Continued)

(21) Appl. No.: **29/566,208**
(22) Filed: **May 27, 2016**
(51) **LOC (10) Cl.** **18-02**
(52) **U.S. Cl.**
USPC **D18/56**
(58) **Field of Classification Search**
USPC D18/36, 37, 39, 40, 41, 44, 45, 46, 47,
D18/49, 50, 51, 52, 53, 54, 55, 56, 4.5,
D18/12, 14, 18, 34.5, 34.9, 99; D14/462,
D14/463, 464, 465, 466, 467, 468, 469,
D14/470, 471, 301, 307, 129, 130, 483,
D14/432, 434, 354, 346, 425; 399/1-7,
399/16, 75, 81, 107, 130, 361, 365,
399/381-383, 388; 101/113; 358/1.1;
355/18, 23, 97; 400/613; 271/278, 226,
271/8.1, 3.14; D12/190, 196, 90-92, 86,
D12/216, 163; D8/400; 296/185;
D15/138, 199
CPC B33Y 30/00; B41J 2/01; B41J 11/007;
H05K 5/023; H05K 7/1488; E05B 1/0061
See application file for complete search history.

FOREIGN PATENT DOCUMENTS

JP D1530129 8/2015

OTHER PUBLICATIONS

Aliexpress "Trunk Door Handle Cover Trim For Nissan X-Trail Rogue T32 2014-2017 XTrail Chrome Accessories", www.aliexpress.com. Dec. 2014. shown in p. 1, Item # NI-T32-11.*

(Continued)

Primary Examiner — Cynthia Ramirez
Assistant Examiner — Michael Maharajh

(57) **CLAIM**

The ornamental design for a multi-function printer, as shown and described.

DESCRIPTION

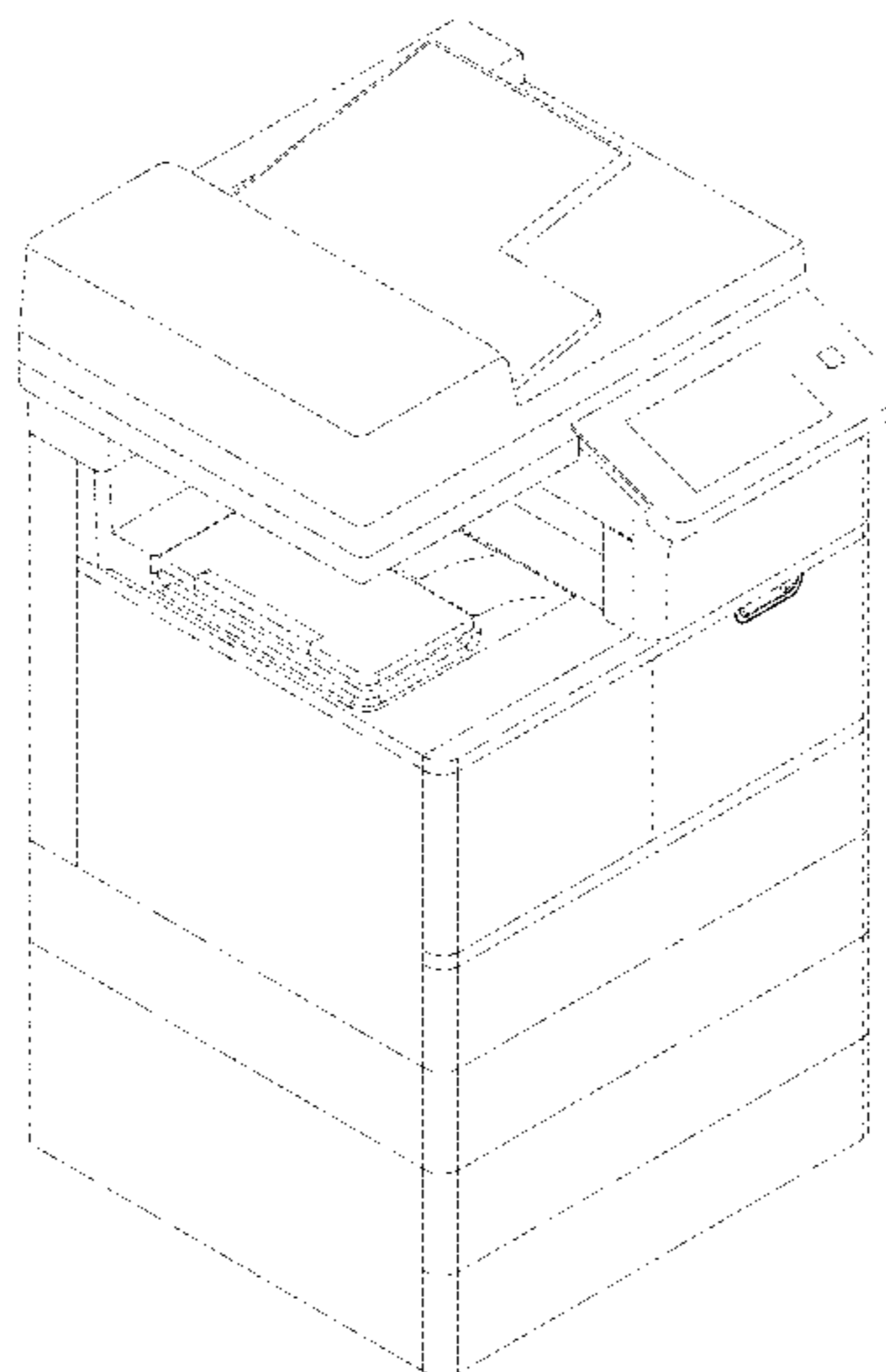
FIG. 1 is a left front top perspective view of a multi-function printer, showing my new design;
FIG. 2 is a right front top perspective view thereof;
FIG. 3 is a front elevational view thereof;
FIG. 4 is a rear elevational view thereof;
FIG. 5 is a left-side elevational view thereof;
FIG. 6 is a right-side elevational view thereof;
FIG. 7 is a top plan view thereof;
FIG. 8 is a bottom plan view thereof;
FIG. 9 is another left front top perspective view thereof; and,
FIG. 10 is an enlarged view of an encircled portion in FIG. 9.

The broken lines shown in the figures are for the purpose of illustrating portions of the multi-function printer and form no part of the claimed design.

1 Claim, 10 Drawing Sheets

(56) **References Cited**
U.S. PATENT DOCUMENTS

D462,086 S * 8/2002 Falk D18/55
D532,732 S * 11/2006 Ogawa D12/196
D537,109 S * 2/2007 Mizusugi D18/39
D537,866 S * 3/2007 Matsuda D18/39
D573,176 S * 7/2008 Isogai D18/39
D665,012 S * 8/2012 Saito D18/39
D726,249 S * 4/2015 Kim D18/53



(56)

References Cited

U.S. PATENT DOCUMENTS

D745,601 S * 12/2015 Nagano D18/36
D755,286 S * 5/2016 Kim D18/55
D763,958 S * 8/2016 Kim D18/53
D769,968 S * 10/2016 So D18/56

OTHER PUBLICATIONS

Newegg "Canon imageCLASS D1180 3478B022AA MFC/All-In-One Up to 30 ppm Monochrome Laser Printer", www.newegg.com. Jan. 2017. shown in p. 1, Model # 3478B022AA.*

Amazon "HP LaserJet Pro MFP M521dn Printer, (A8P79A)", www.Amazon.com. Mar. 30, 2011. shown in p. 1, Model # B00BBLG75Y.*

Taiwan Intellectual Property Office, "Office Action" dated Jun. 14, 2017, Taiwan.

* cited by examiner

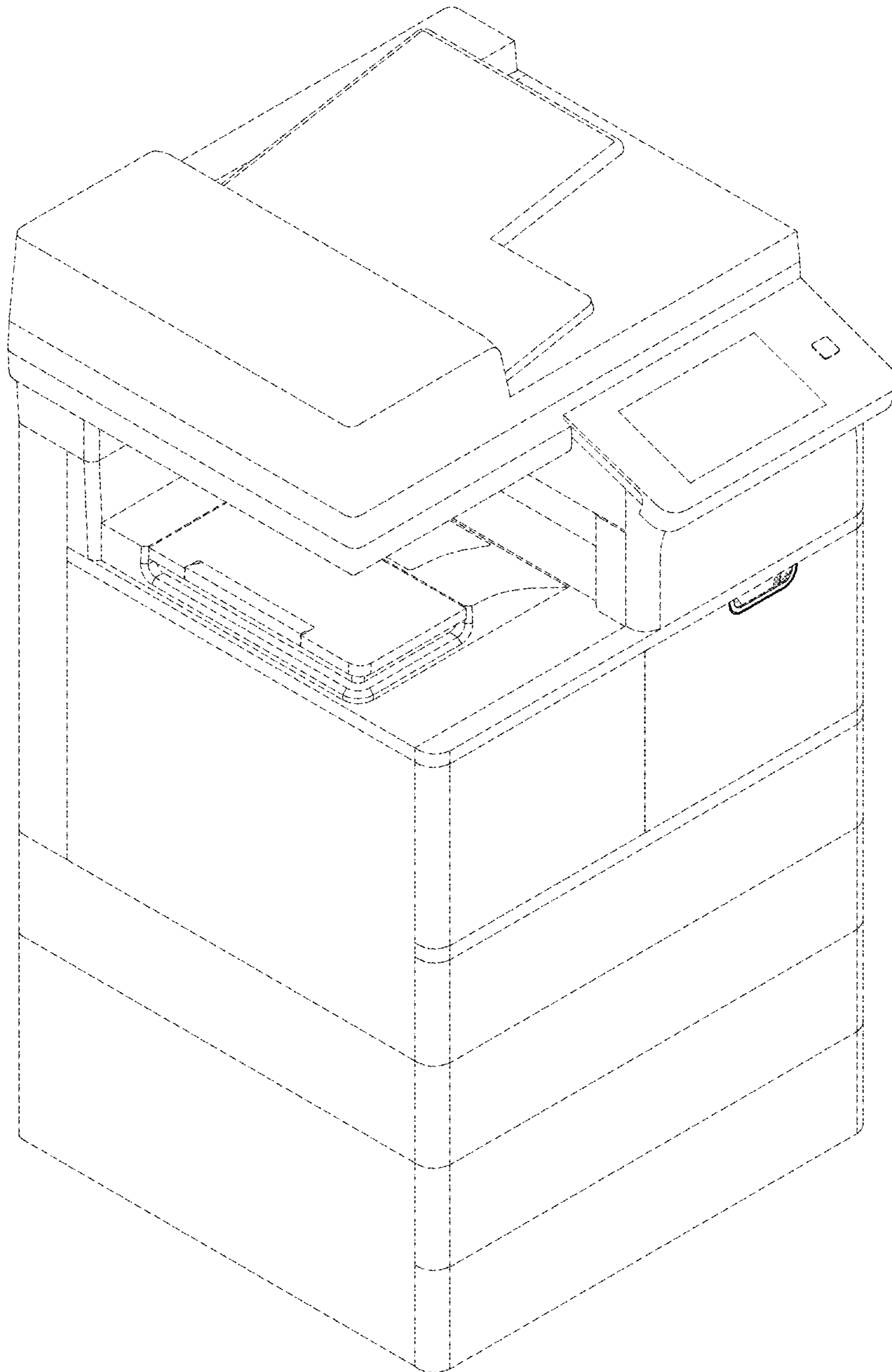


FIG. 1

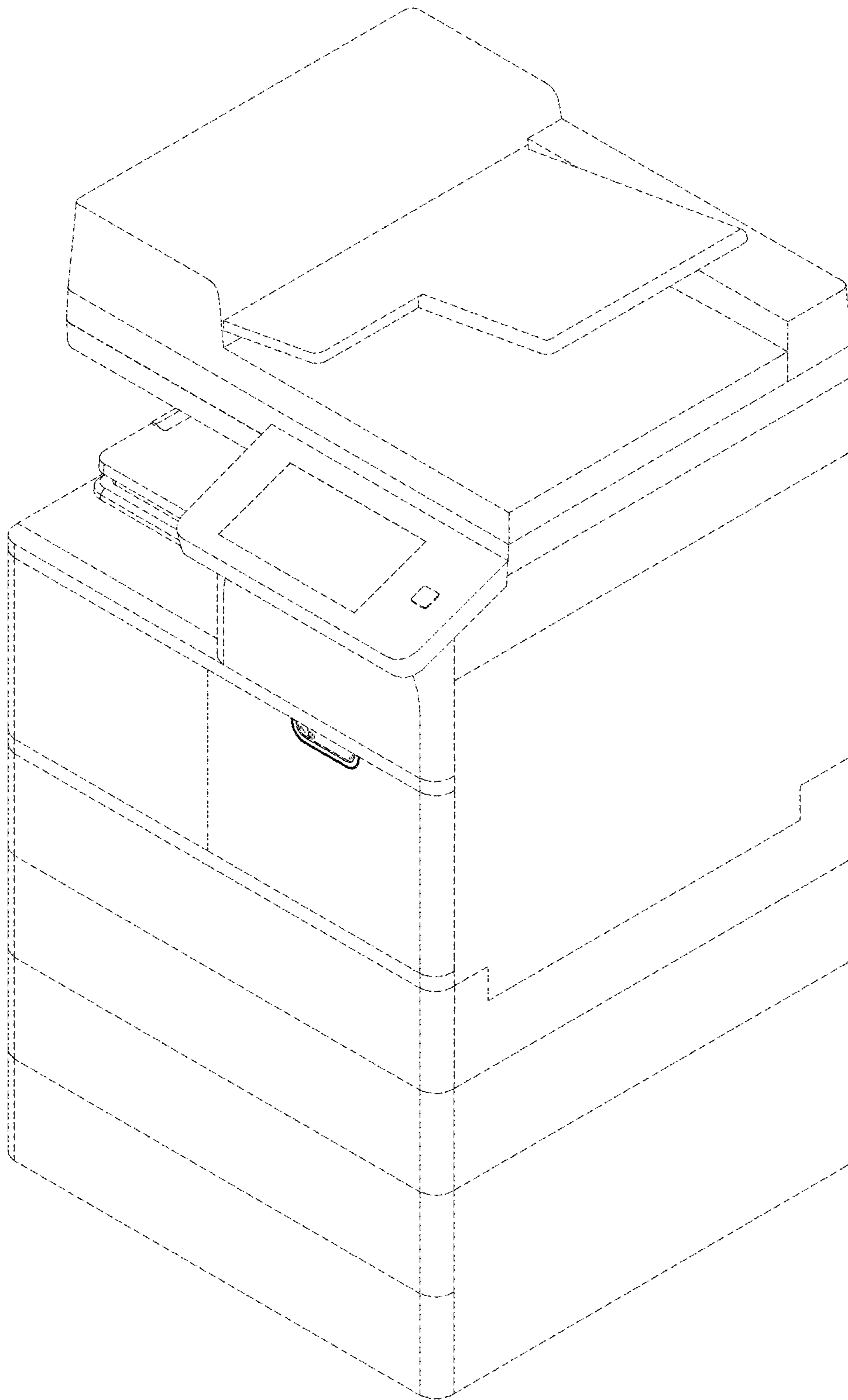


FIG. 2

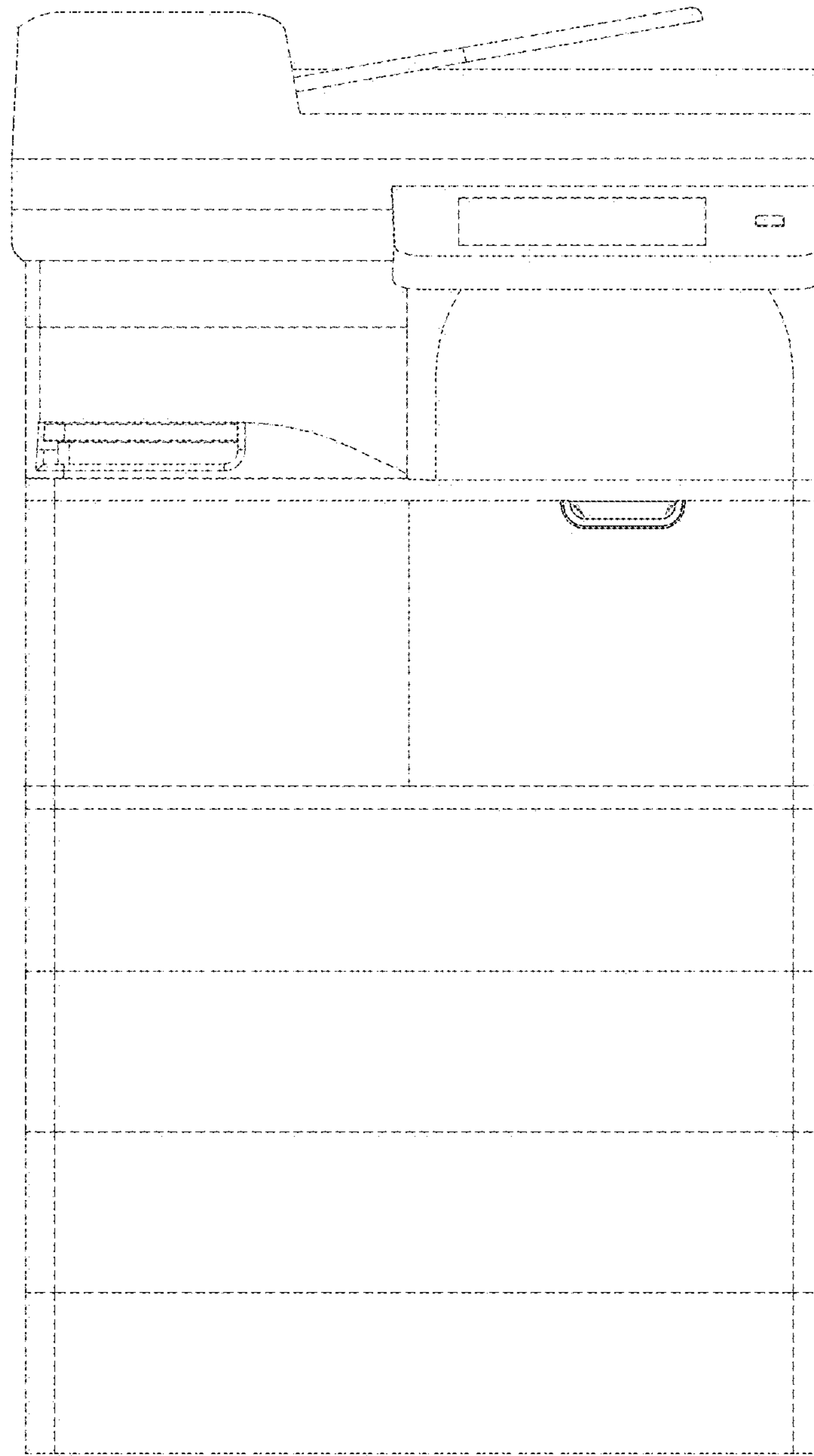


FIG. 3

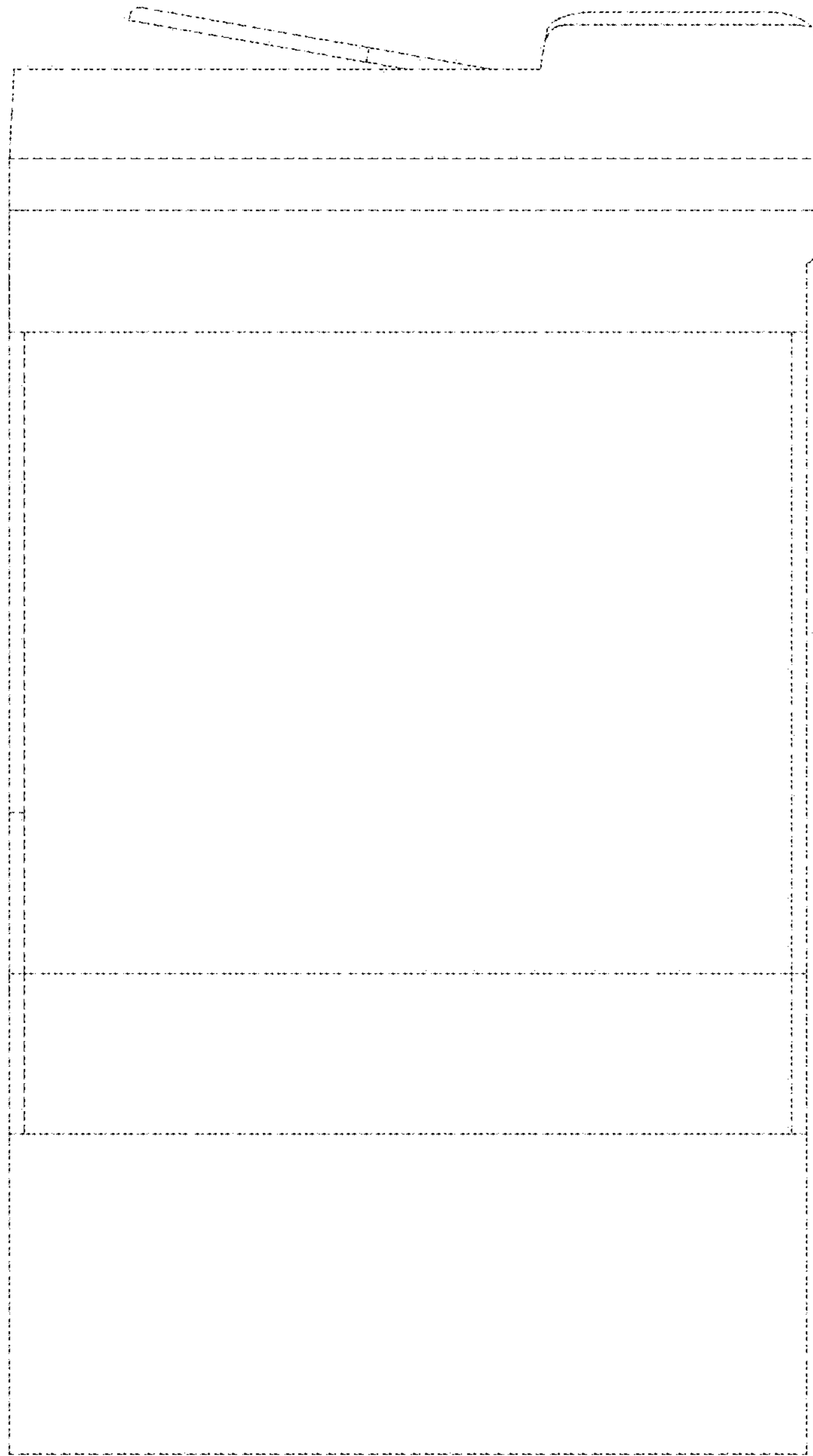


FIG. 4

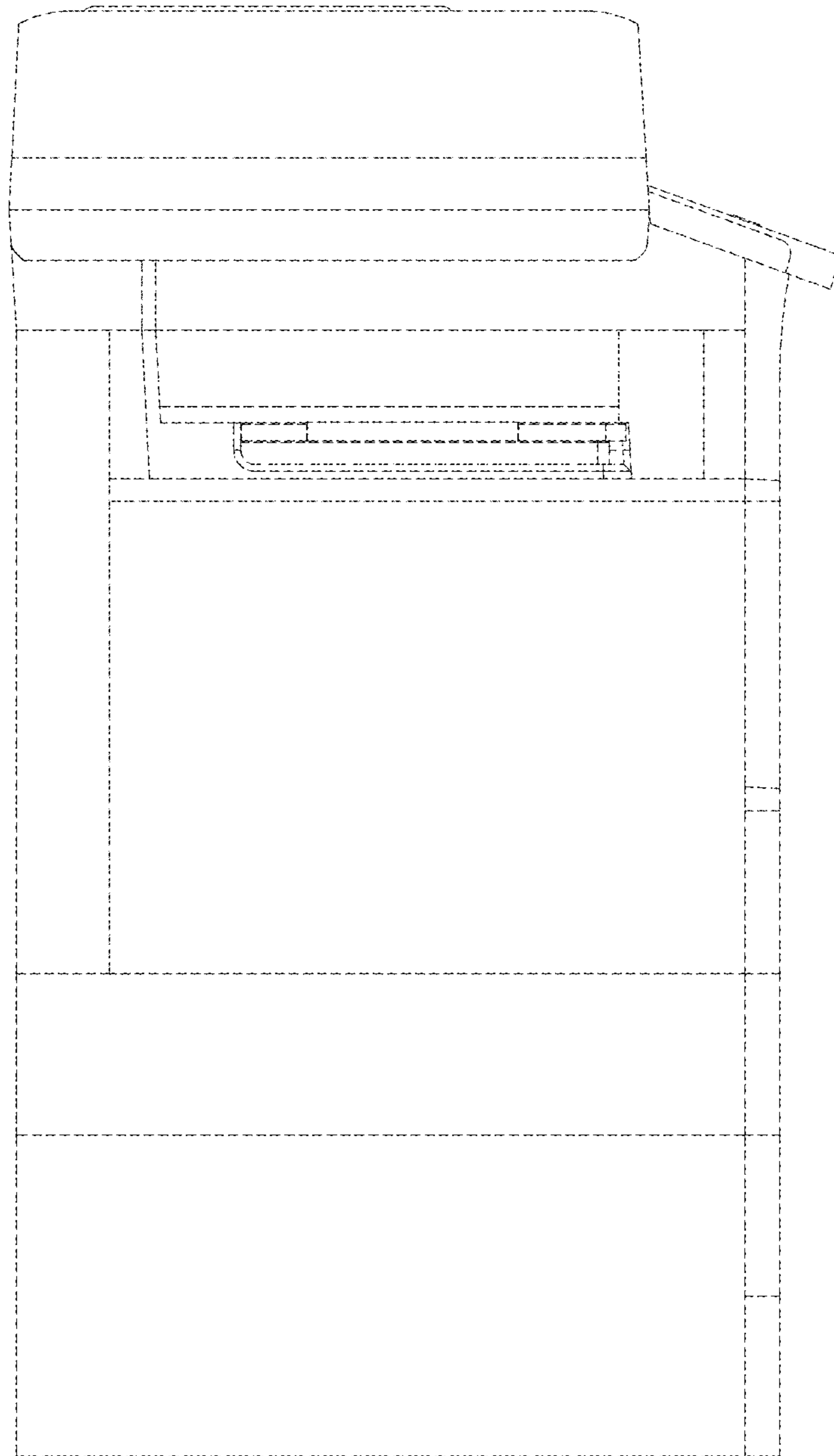


FIG. 5

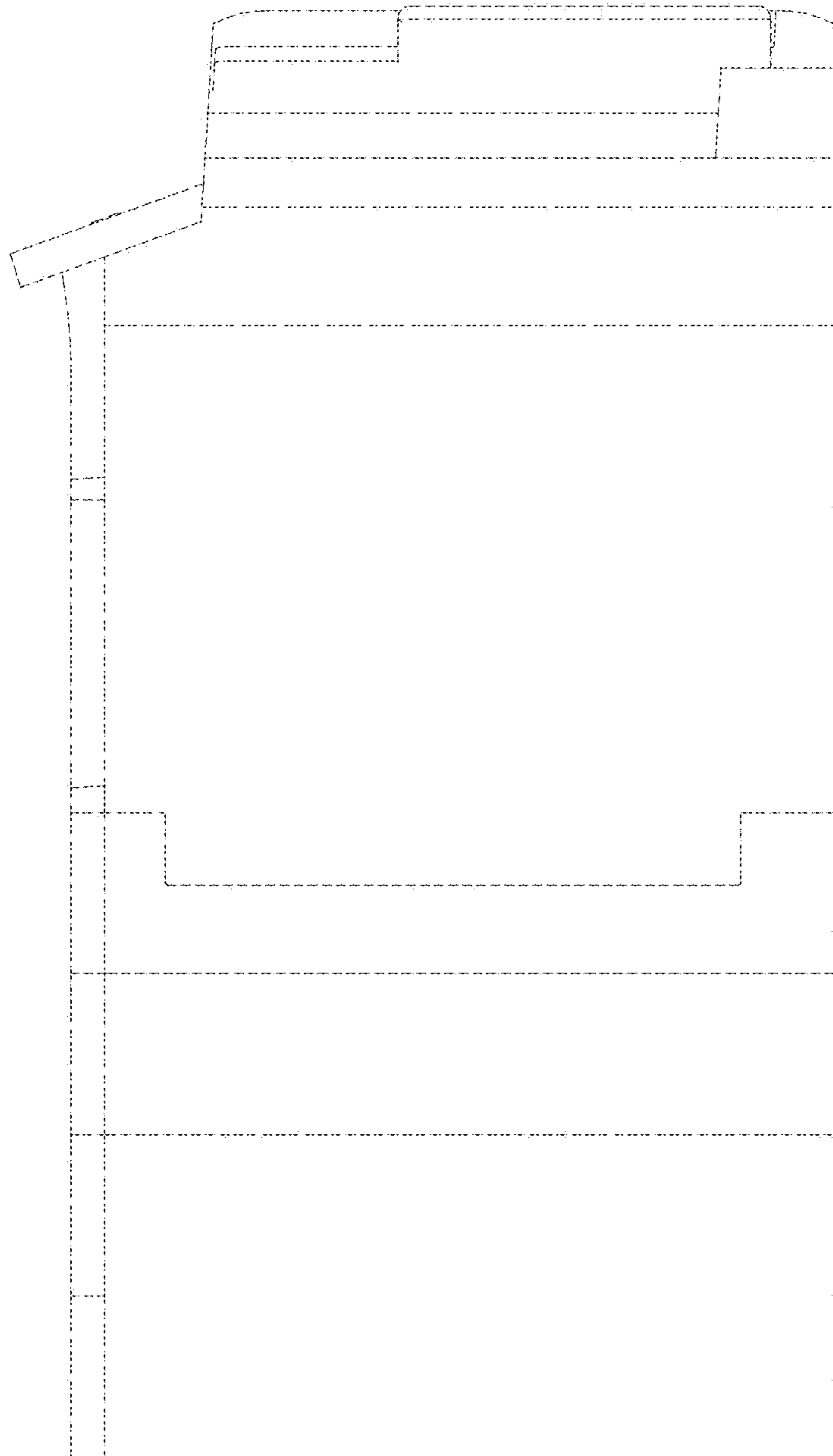


FIG. 6

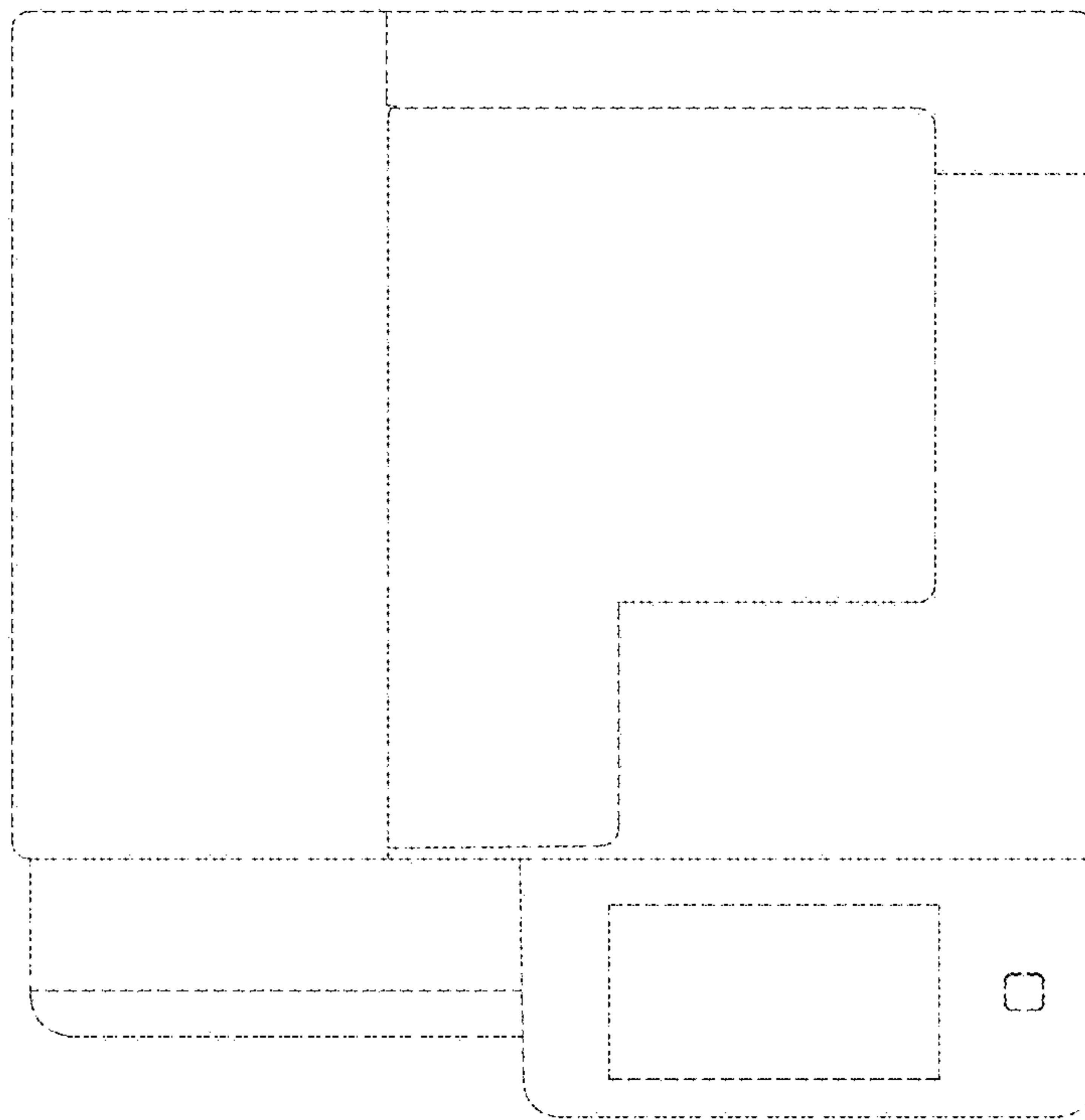


FIG. 7

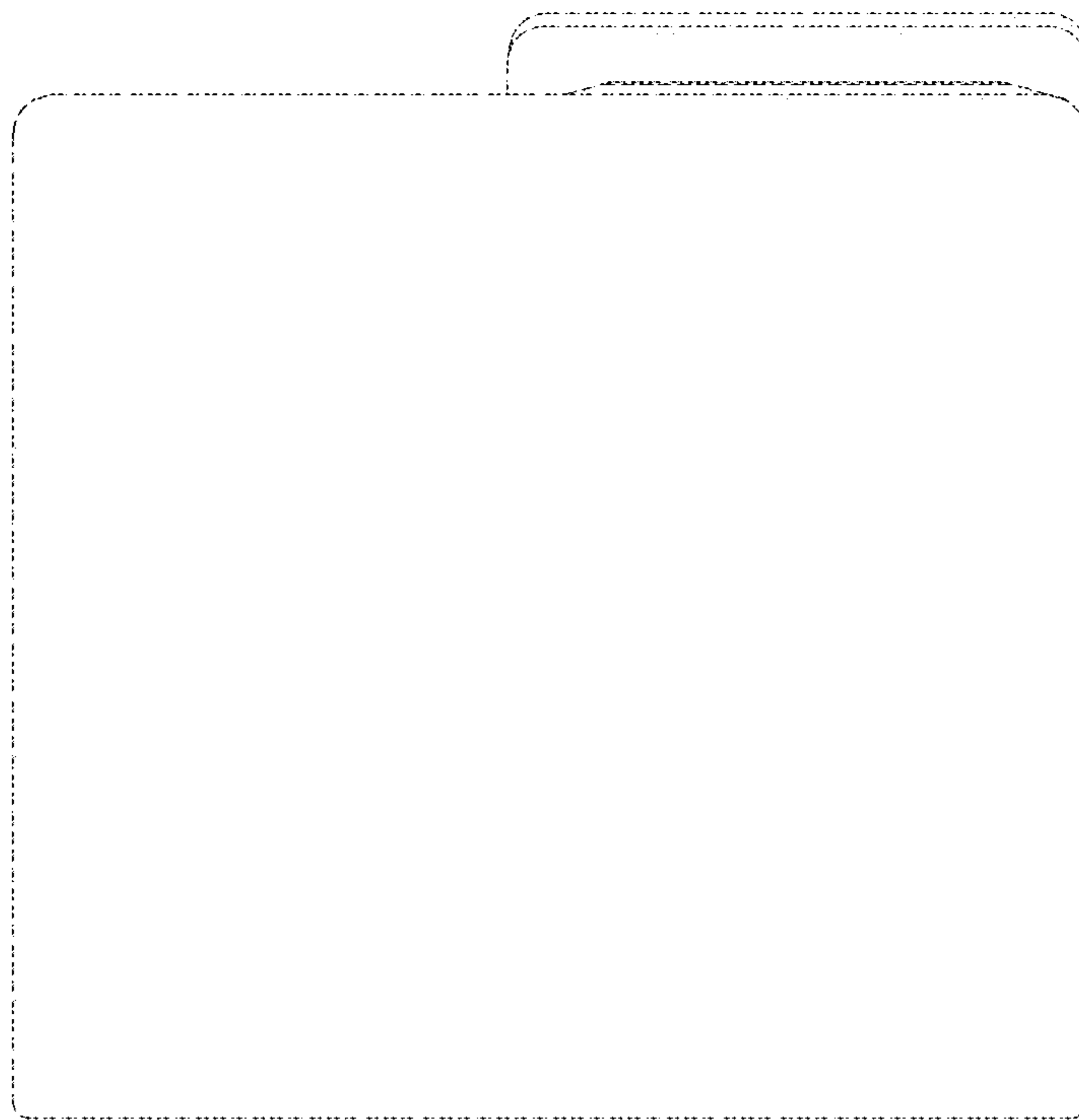


FIG. 8

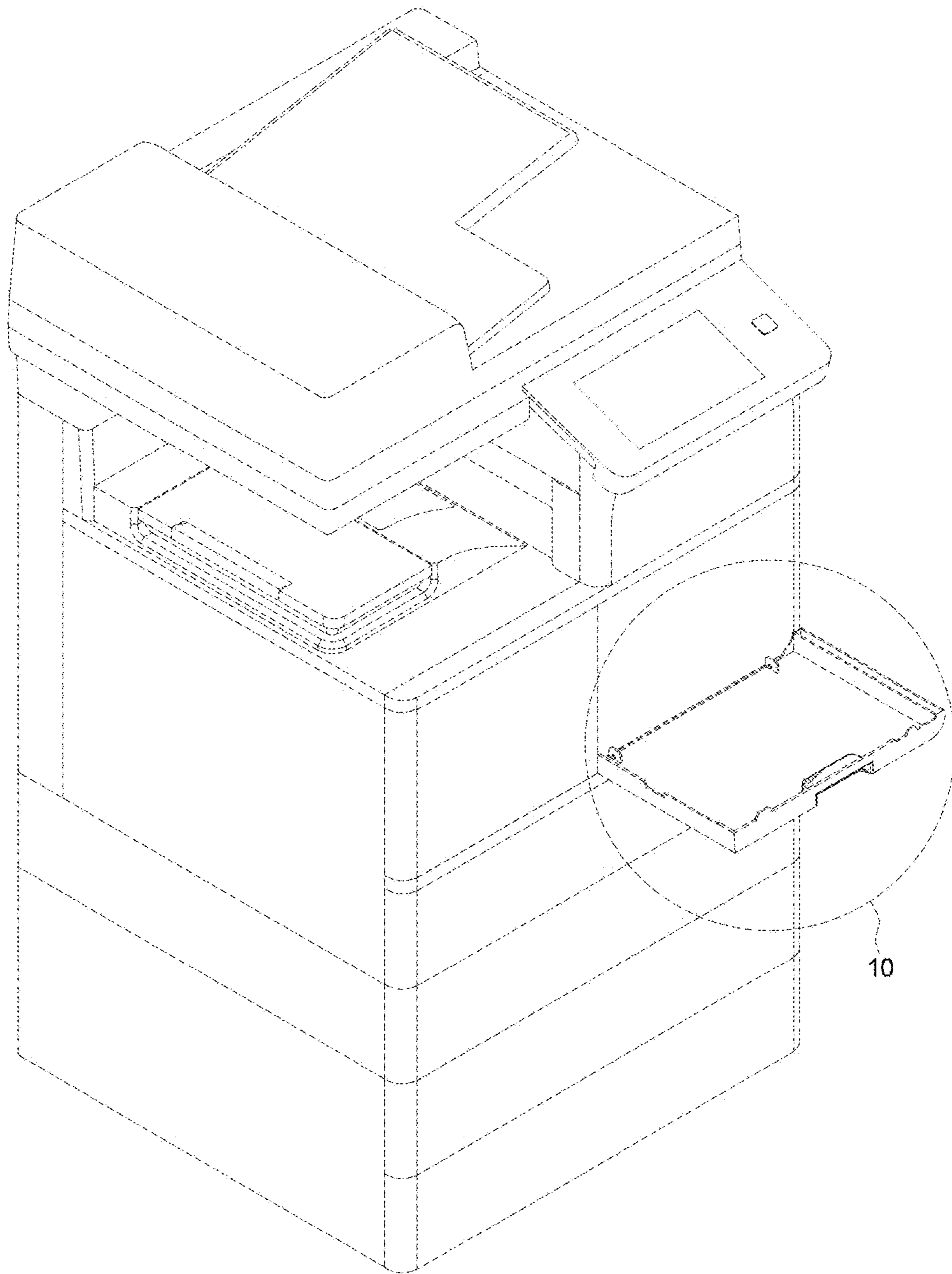


FIG. 9

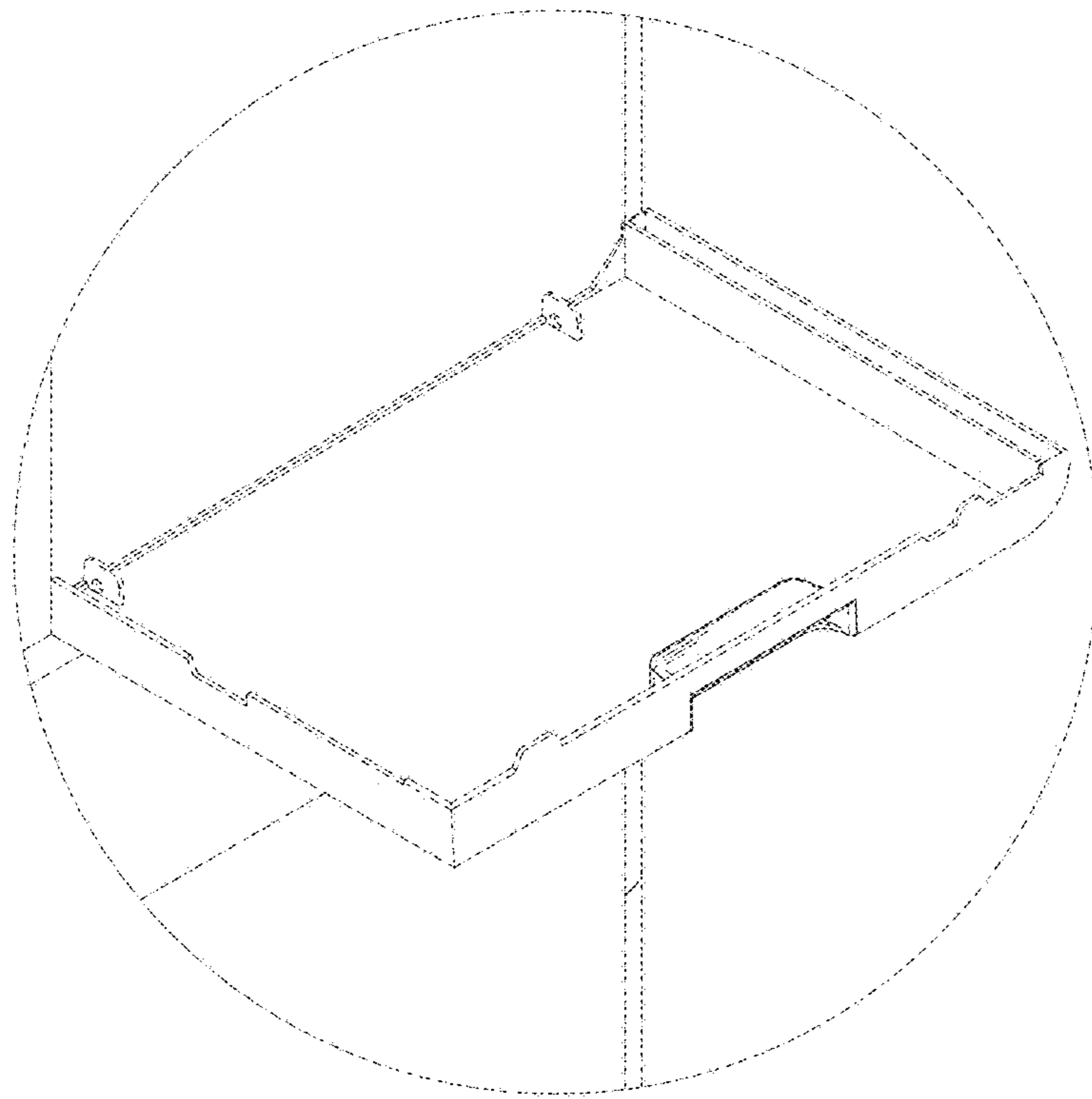


FIG. 10