



US00D802656S

(12) **United States Design Patent**
Kida et al.

(10) **Patent No.:** **US D802,656 S**

(45) **Date of Patent:** **** Nov. 14, 2017**

(54) **STAMP**

(71) Applicant: **Shachihata Inc.**, Nagoya-shi, Aichi (JP)

(72) Inventors: **Masaki Kida**, Tokyo (JP); **Motohide Imaizumi**, Tokyo (JP)

(73) Assignee: **Shachihata Inc.**, Nagoya-shi (JP)

(**) Term: **15 Years**

(21) Appl. No.: **29/553,114**

(22) Filed: **Jan. 28, 2016**

(30) **Foreign Application Priority Data**

Jul. 28, 2015 (JP) 2015-016818

(51) **LOC (10) Cl.** **19-02**

(52) **U.S. Cl.**
USPC **D18/15**

(58) **Field of Classification Search**

USPC D18/15, 16, 17, 18, 50; D19/65-68, 70,
D19/71; D9/770, 548, 432

CPC . B41J 2/1752; B41J 3/36; B41J 29/023; B41J
2/17526; B41J 3/28; B41K 1/38; B41K
1/00; B41K 1/006; B41K 1/02; B41K
1/08; B41K 1/40; B41K 1/42; B41K
1/52;

(Continued)

(56) **References Cited**

U.S. PATENT DOCUMENTS

D280,643 S * 9/1985 Ichikawa D18/15

D378,597 S * 3/1997 Harden D18/15

(Continued)

FOREIGN PATENT DOCUMENTS

CN 303711373 * 6/2016

CN 303970021 * 12/2016

(Continued)

OTHER PUBLICATIONS

Amazon. <URL: https://www.amazon.com/ADVANCED%C2%ADPrevention%C2%ADMulti%C2%ADColor%C2%ADInformation%C2%AD60158/dp/B06XTBBXYD/ref=pd_day0_229_11?_encoding=UTF8&pd_rd_i=B06XTB%E2%80%A6> Visited Jun. 14, 2017. Roller Stamp.*

Primary Examiner — Bridget L Eland

Assistant Examiner — Lauren McVey

(74) *Attorney, Agent, or Firm* — Westerman, Hattori,
Daniels & Adrian, LLP

(57) **CLAIM**

The ornamental design for a stamp, as shown and described.

DESCRIPTION

FIG. 1 is a top perspective view of a stamp showing our new design;

FIG. 2 is a bottom perspective view thereof;

FIG. 3 is a front elevational view thereof;

FIG. 4 is a rear elevational view thereof;

FIG. 5 is a right side elevational view thereof;

FIG. 6 is a left side elevational view thereof;

FIG. 7 is a top plan view thereof;

FIG. 8 is a bottom plan view thereof;

FIG. 9 is a top perspective view of the stamp of FIG. 1 showing the cap removed in order to show aspects of the design that are not otherwise apparent;

FIG. 10 is a bottom perspective view thereof;

FIG. 11 is a front elevational view thereof;

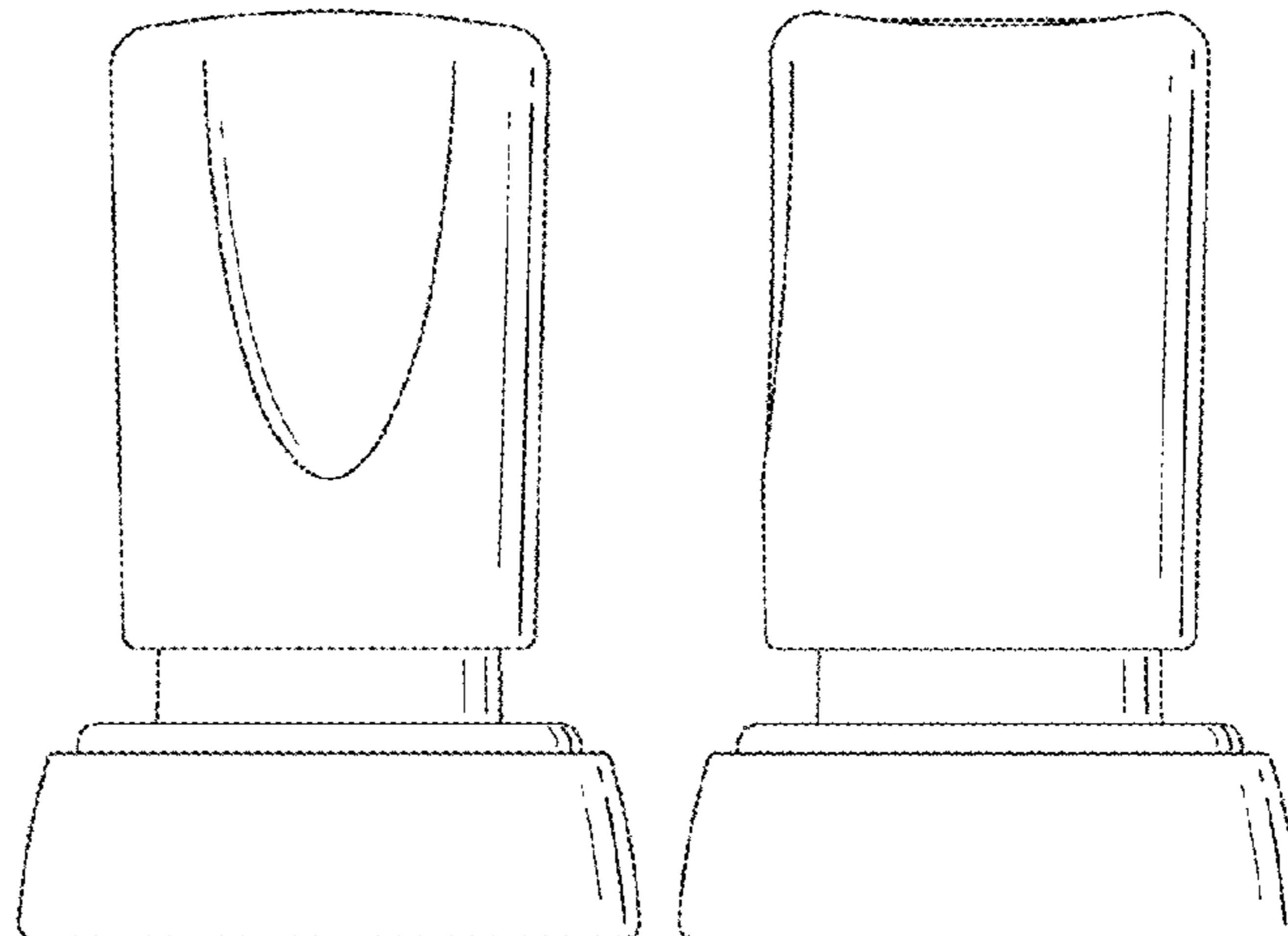
FIG. 12 is a right side elevational view thereof;

FIG. 13 is a top perspective view of the stamp of FIG. 1, showing the cap only in order to show aspects of the design that are not otherwise apparent; and,

FIG. 14 is a bottom perspective view thereof.

The broken lines immediately adjacent the shaded areas represent the bounds of the claimed design while all other broken lines are directed to environment and are for illustrative purposes only; the broken lines form no part of the claimed design.

1 Claim, 3 Drawing Sheets



(58) **Field of Classification Search**

CPC ... B41K 1/54; B41K 1/56; B41K 1/36; B23K
26/00; B23K 26/10; B41C 3/04; B41D
7/00

See application file for complete search history.

(56) **References Cited**

U.S. PATENT DOCUMENTS

D399,245	S	*	10/1998	Harden	D18/15
D422,017	S	*	3/2000	Harden	D18/15
D446,805	S	*	8/2001	Suto	D18/15
D507,593	S	*	7/2005	Kida	D18/15
D508,072	S	*	8/2005	Kida	D18/15
D585,932	S	*	2/2009	Kida	D18/15
D595,340	S	*	6/2009	Kida	D18/15
D620,973	S	*	8/2010	Fukasawa	D18/15
7,765,924	B2	*	8/2010	Suda	B41K 1/10 101/111
D679,317	S	*	4/2013	Ono	D18/15
D750,157	S	*	2/2016	Ahn	D18/15

FOREIGN PATENT DOCUMENTS

JP	D946406	S	2/1996		
JP	D964606-1	S	11/1997		
JP	D1212624	S	7/2004		
JP	D1212625	S	7/2004		
JP	D1212626	S	7/2004		
JP	D1546028	*	3/2016		
JP	D1546029	*	3/2016		

* cited by examiner

FIG. 1

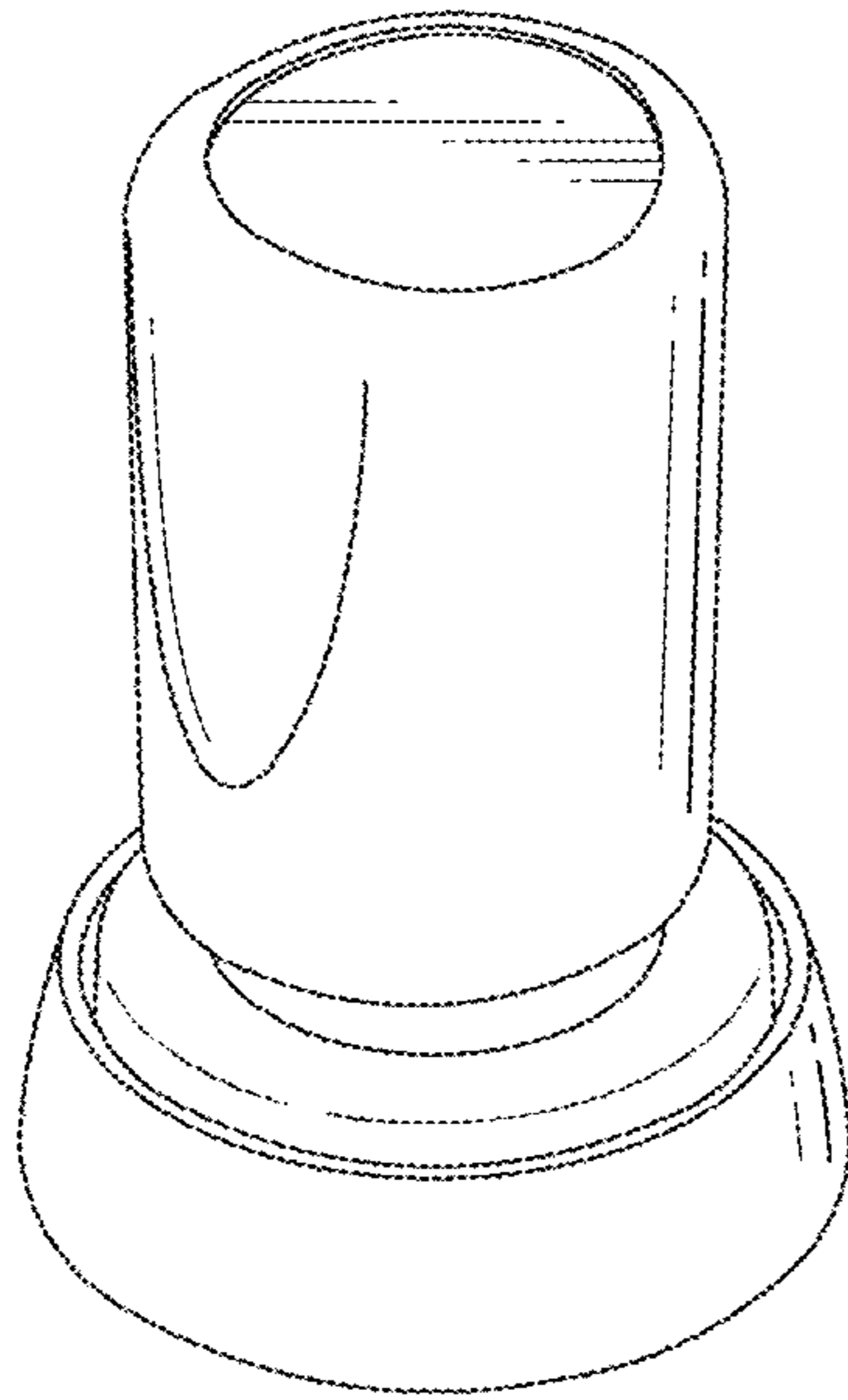


FIG. 2

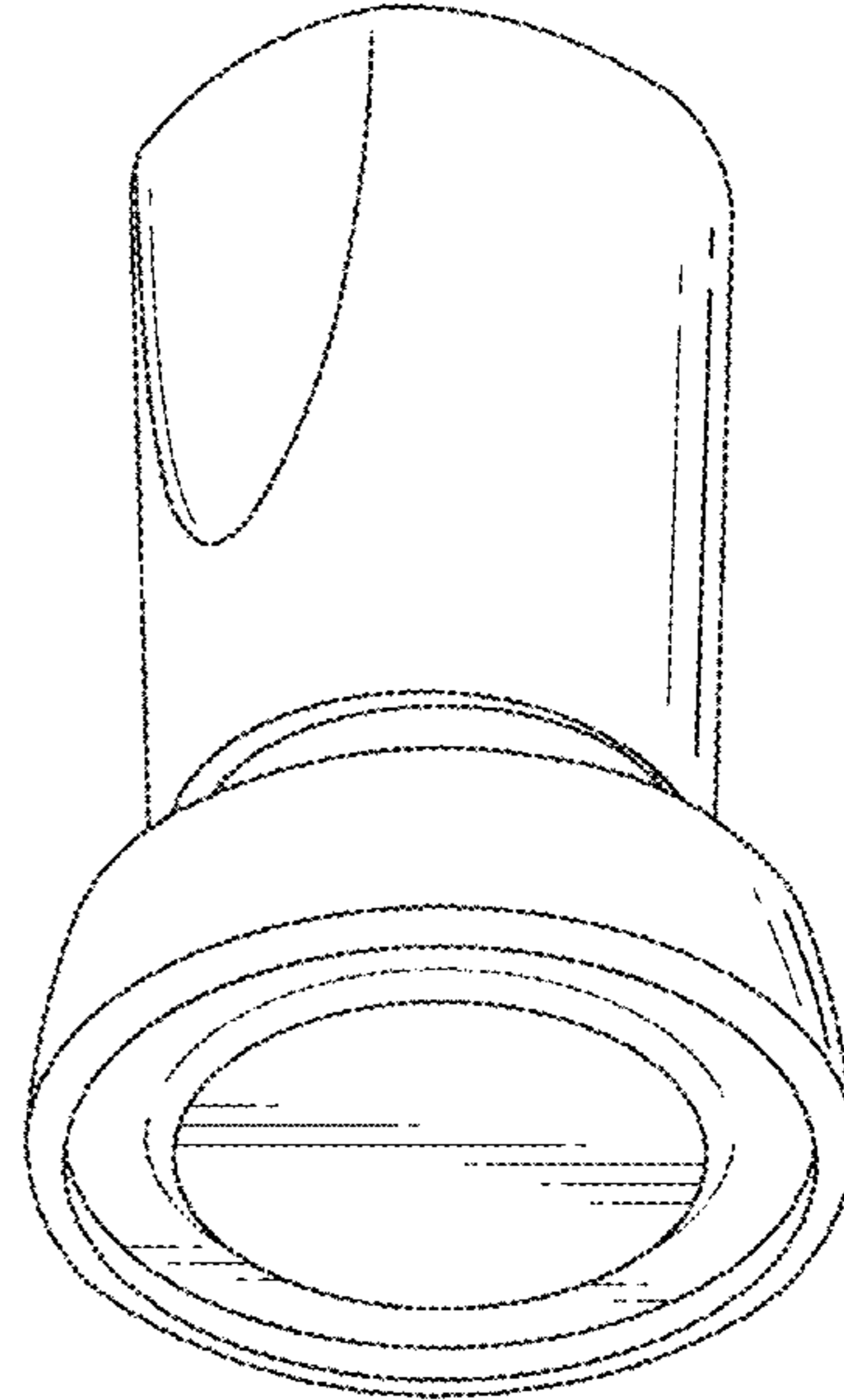


FIG. 3

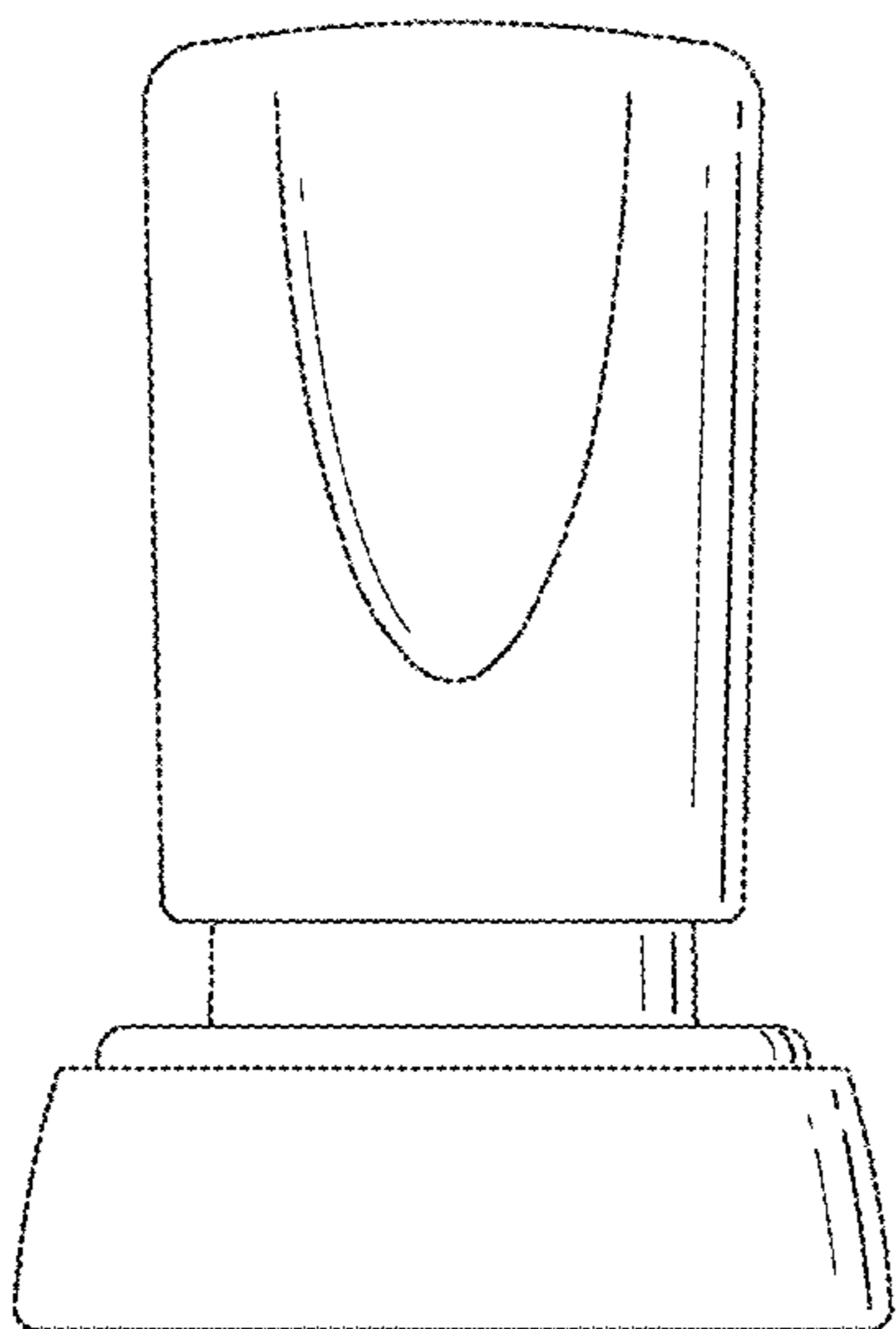


FIG. 4

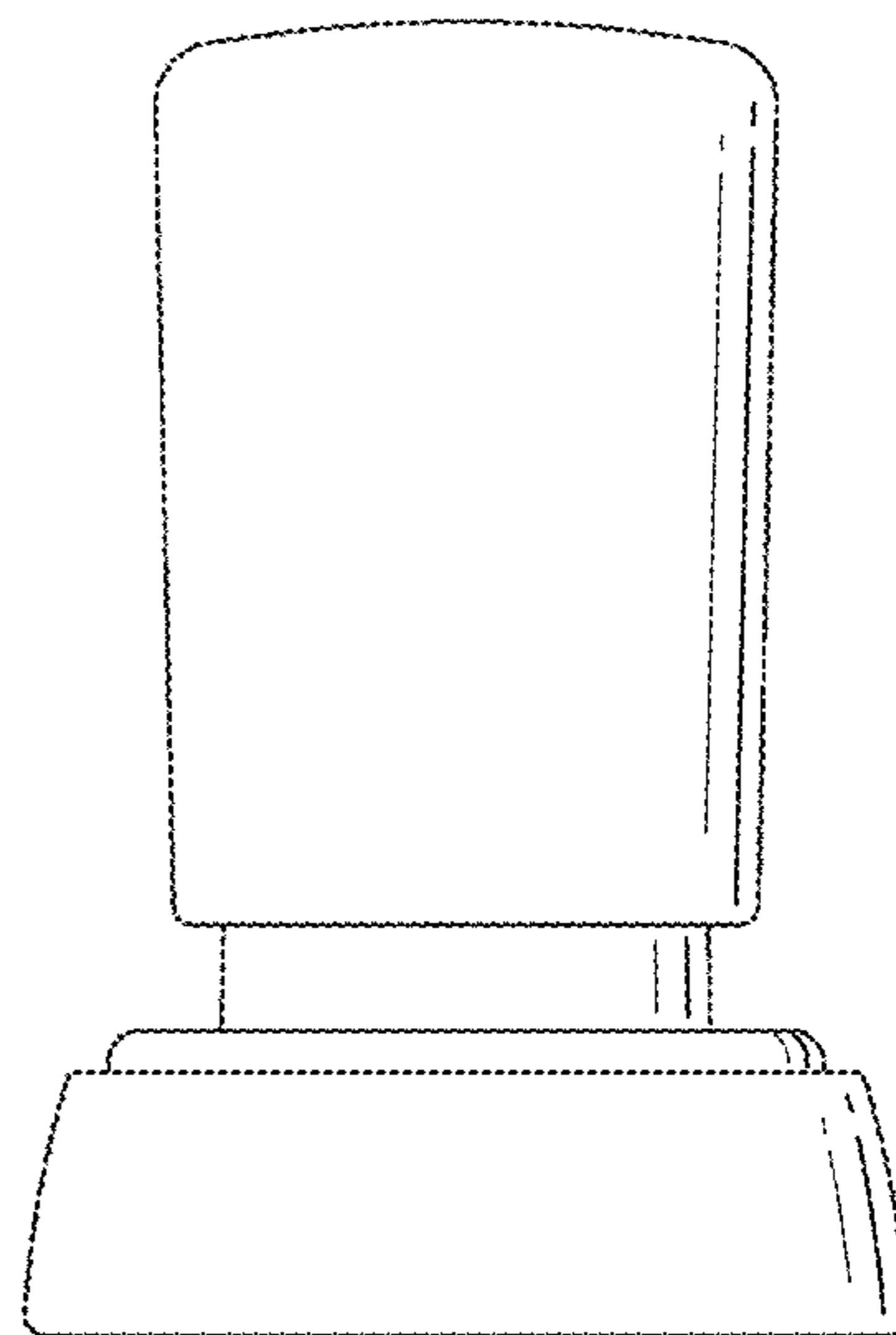


FIG. 5

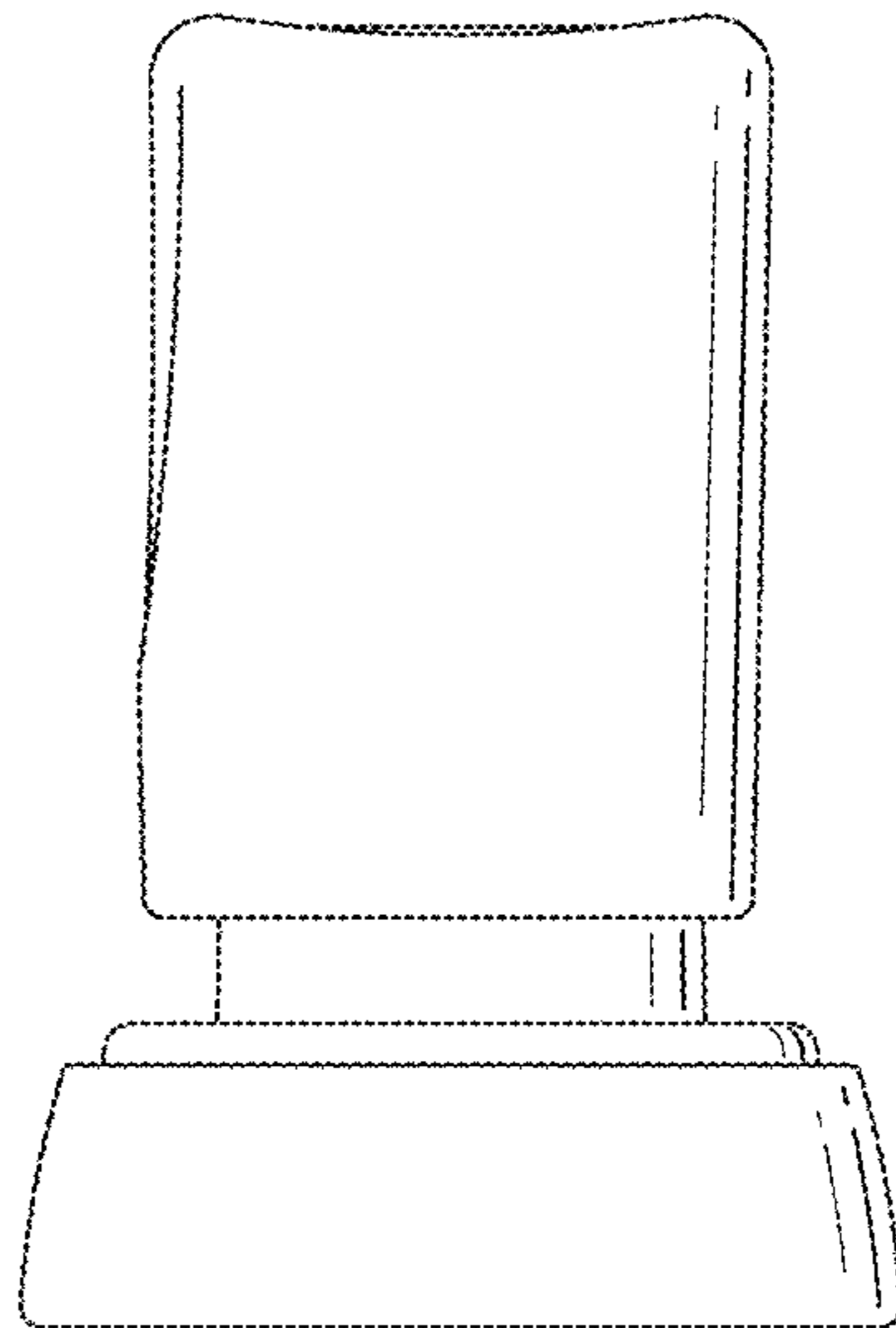


FIG. 6

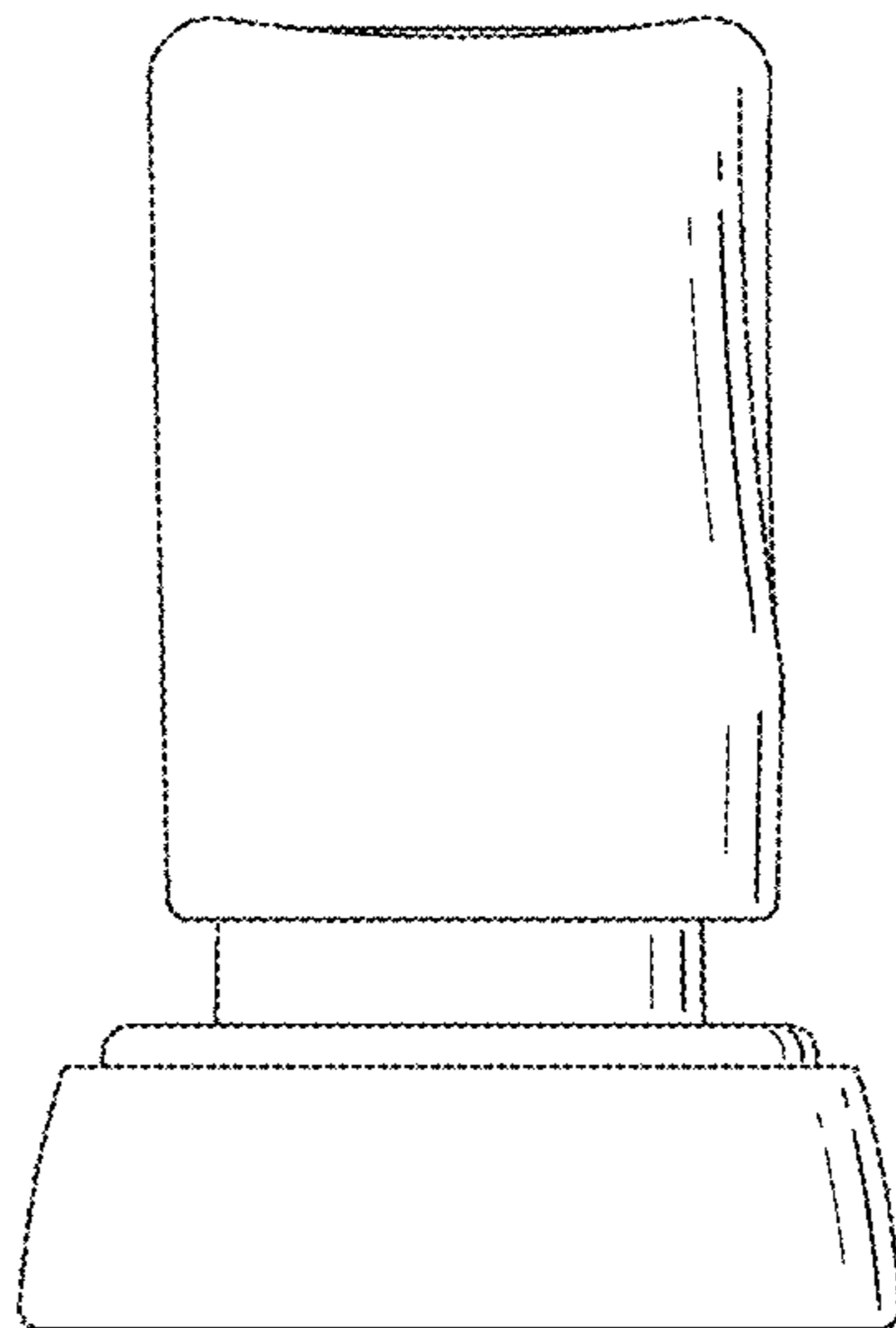


FIG. 7

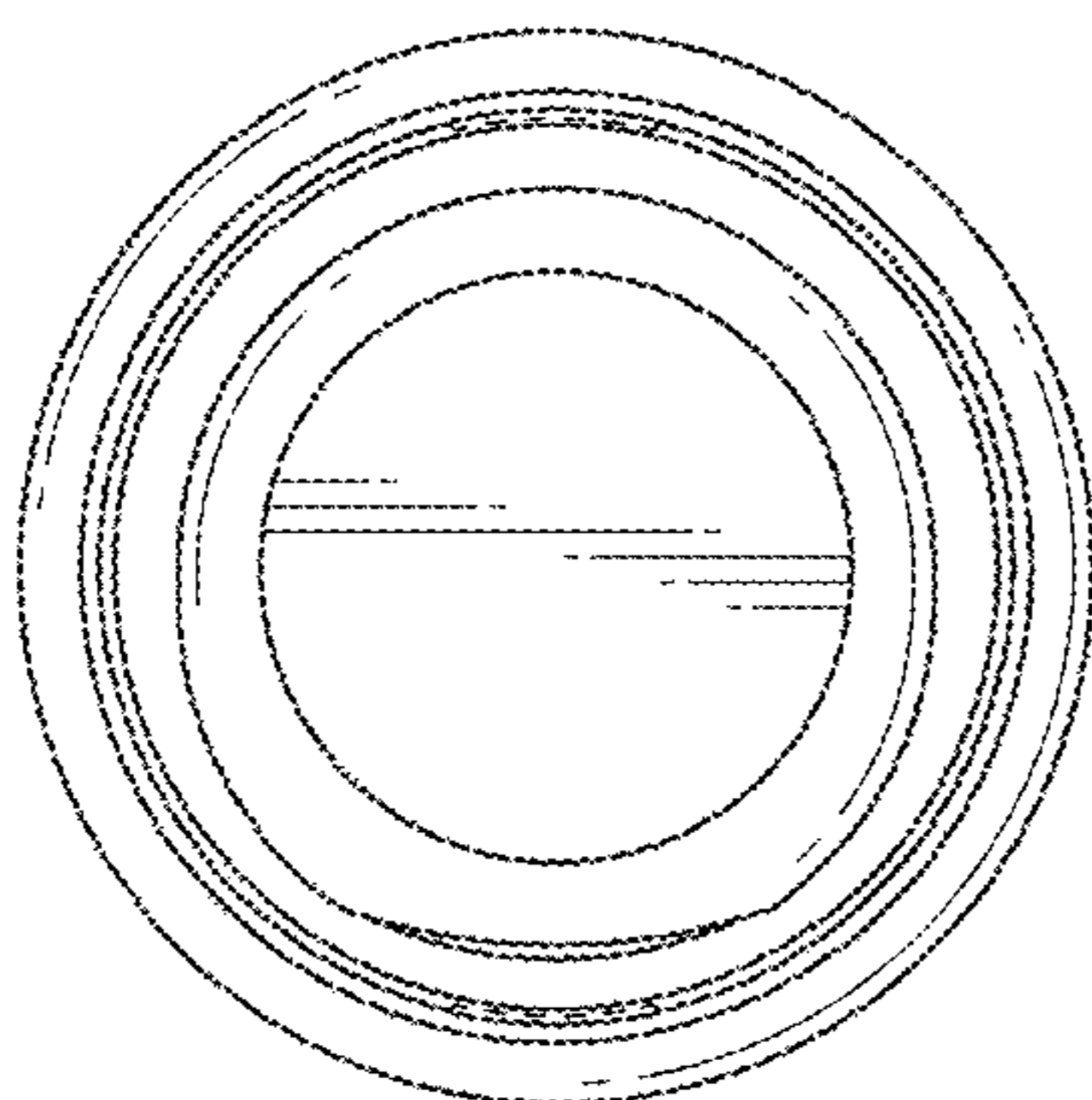


FIG. 8

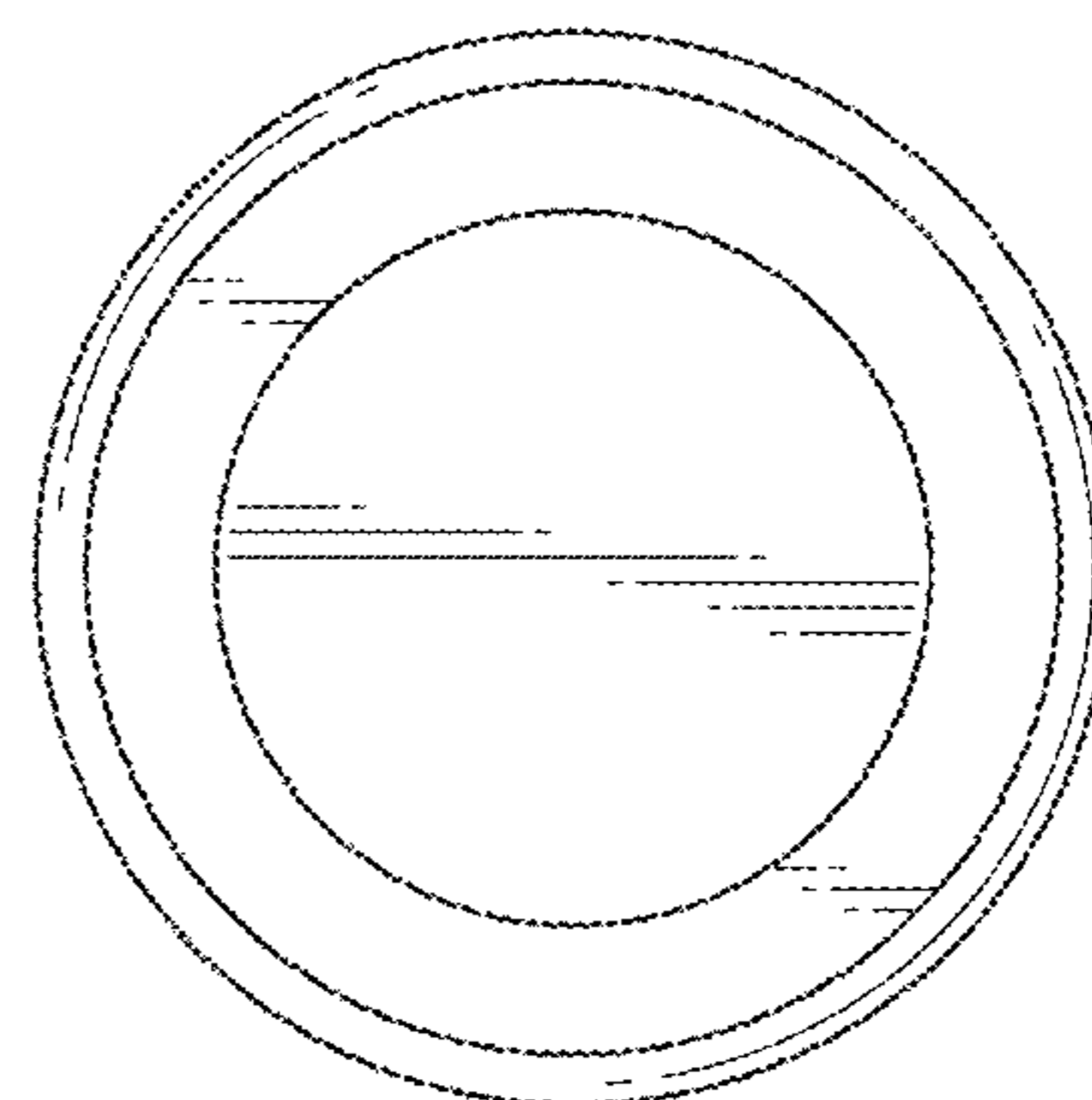


FIG. 9

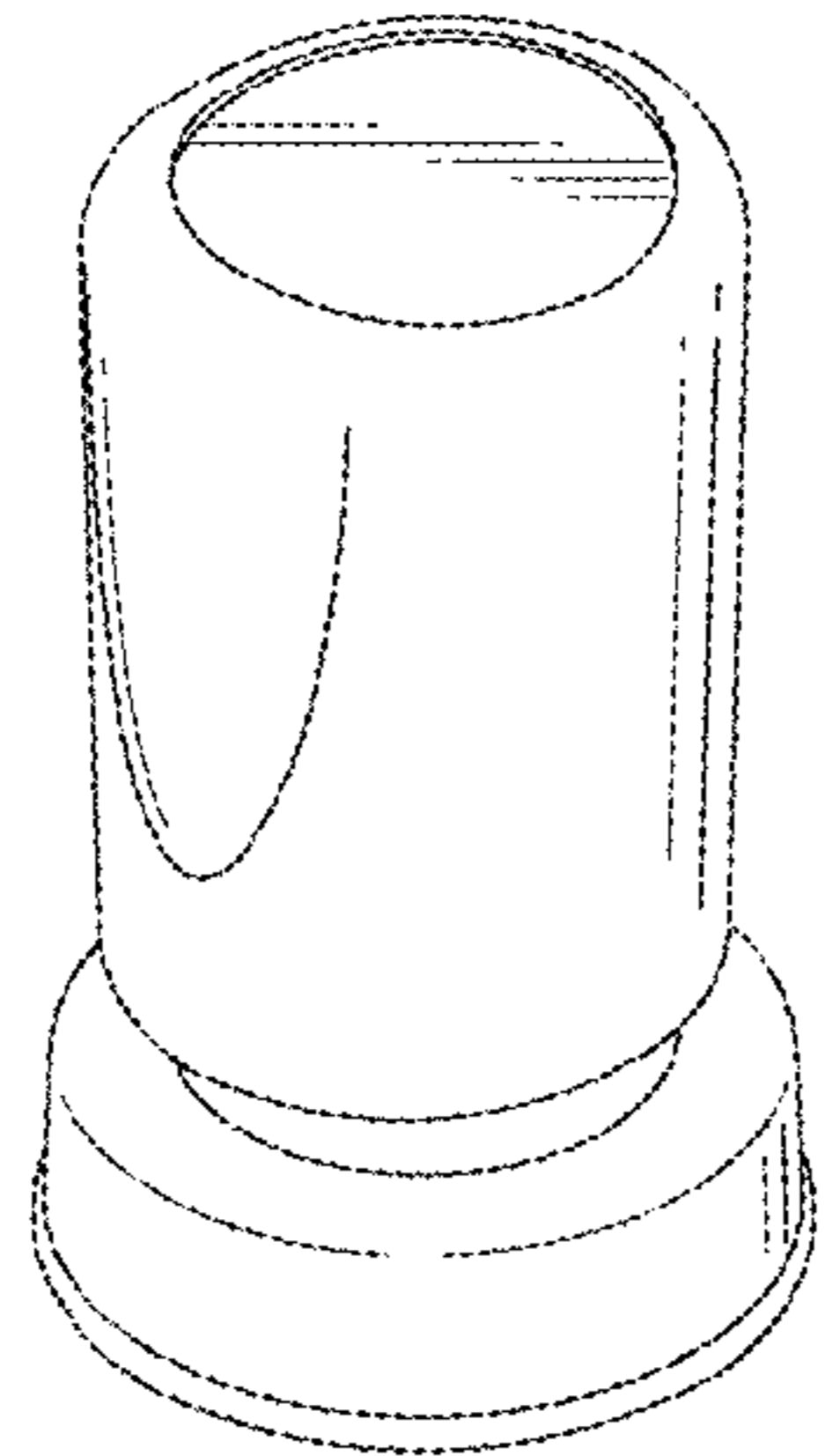


FIG. 10

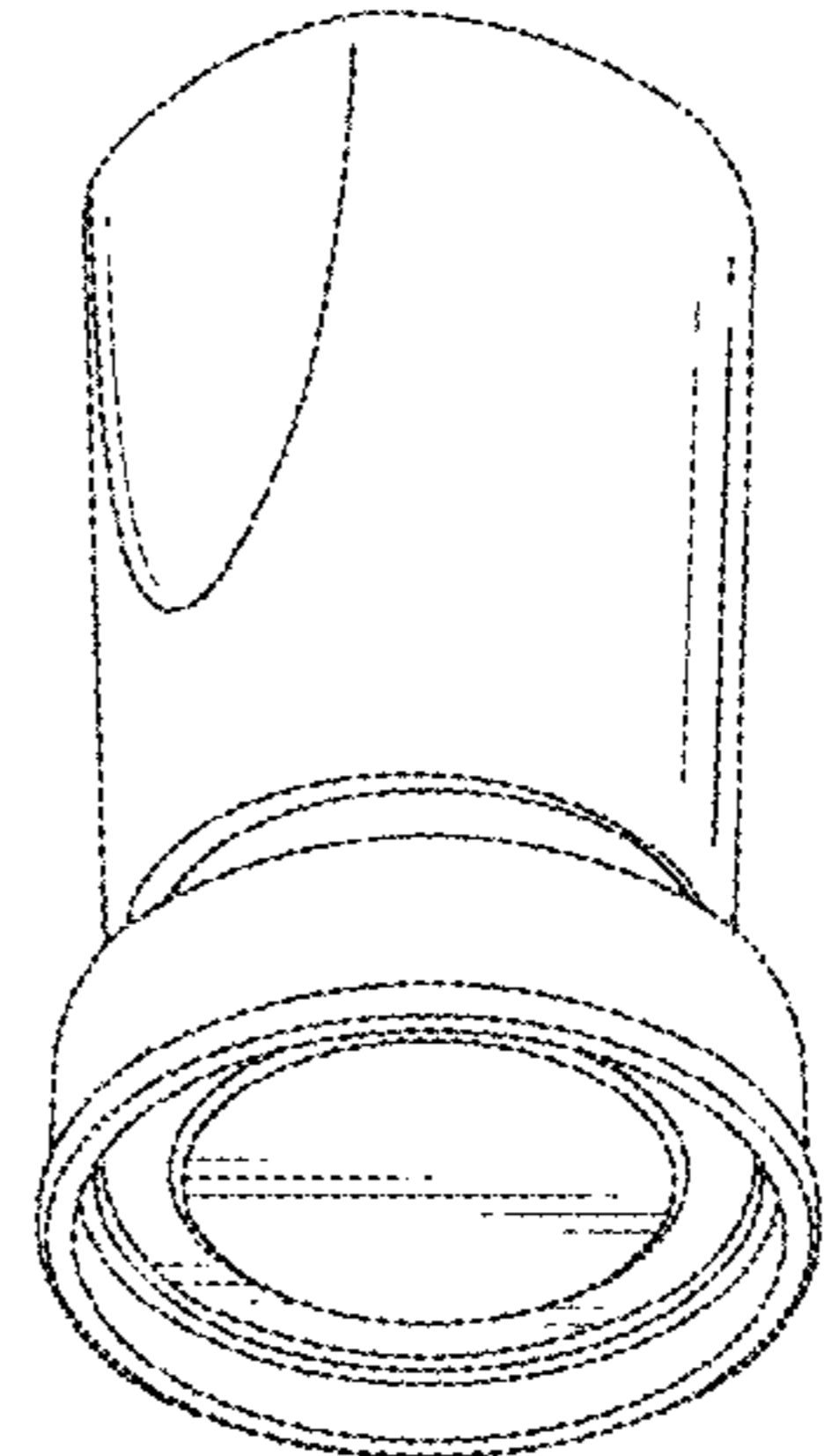


FIG. 11

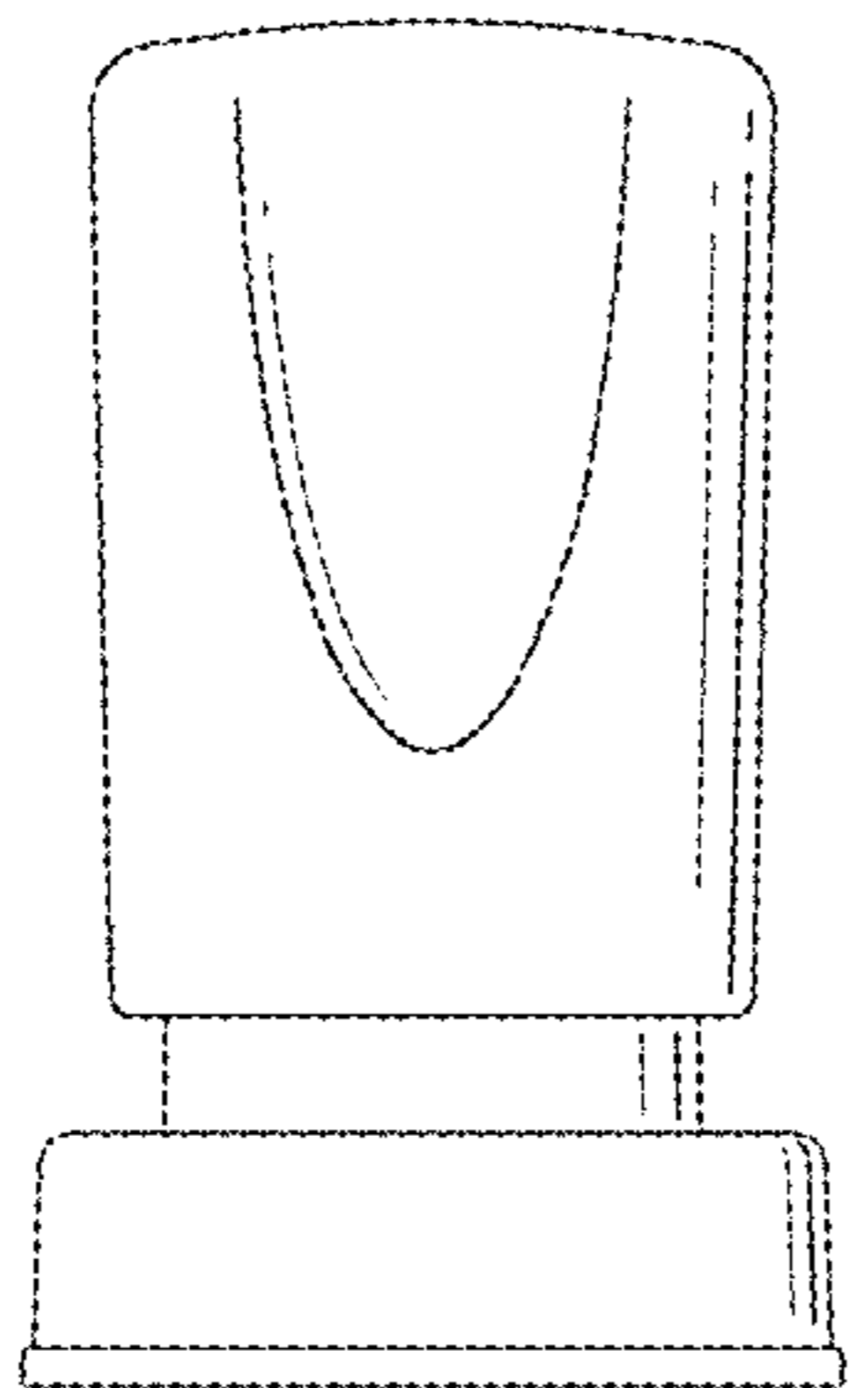


FIG. 12

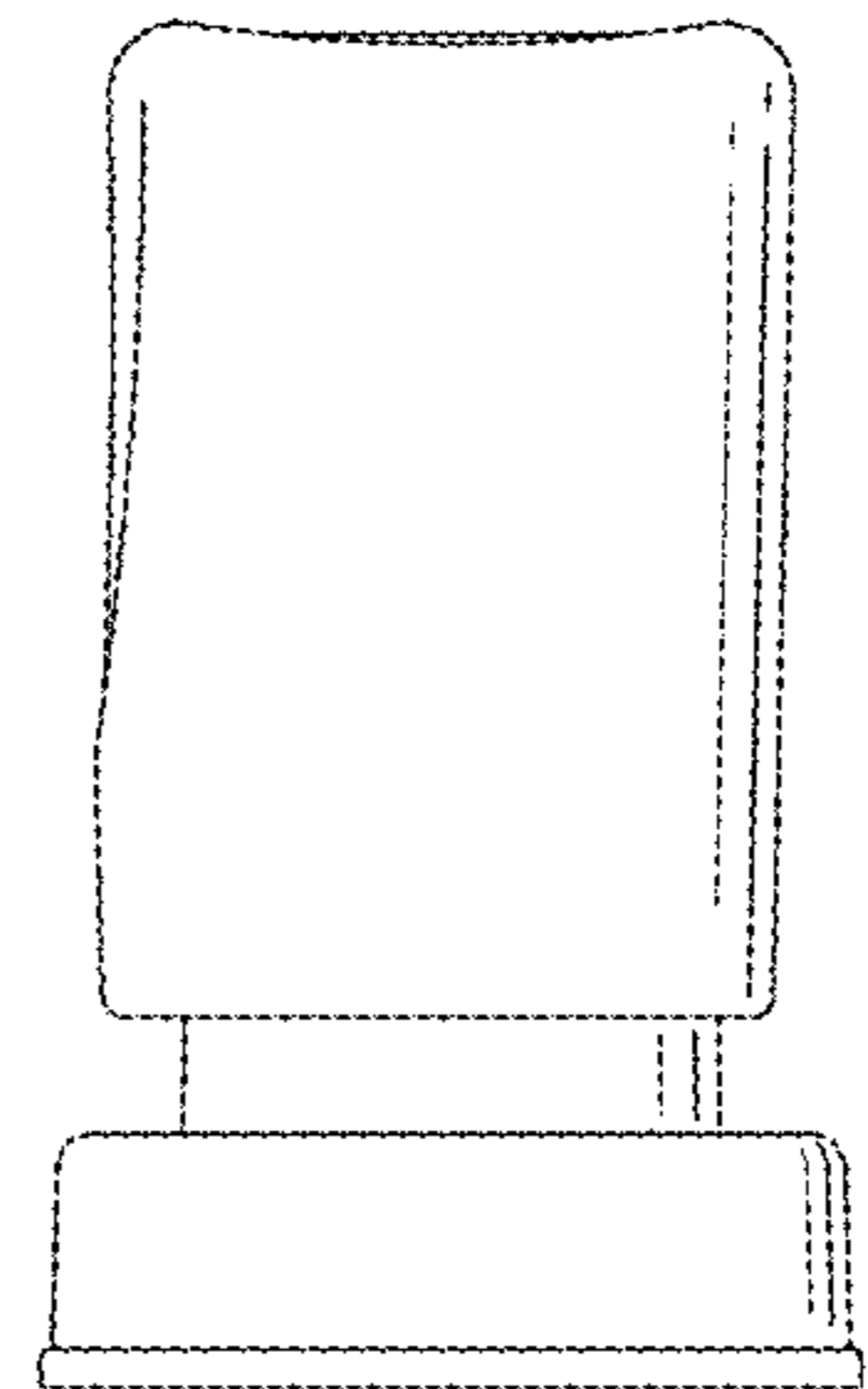


FIG. 13

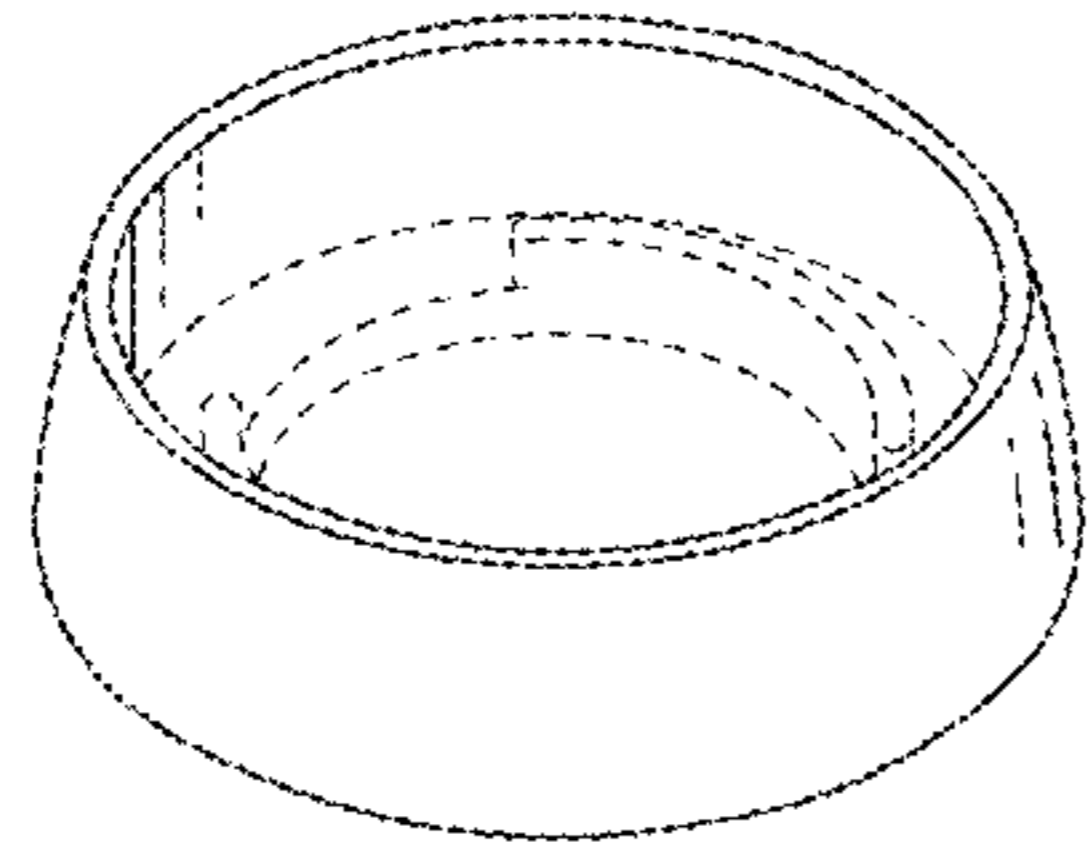


FIG. 14

