



(12) **United States Design Patent**  
**Kida et al.**

(10) **Patent No.:** **US D802,654 S**  
(45) **Date of Patent:** **\*\* Nov. 14, 2017**

- (54) **STAMP**
- (71) Applicant: **SHACHIHATA INC.**, Nagoya-shi, Aichi (JP)
- (72) Inventors: **Masaki Kida**, Tokyo (JP); **Motohide Imaizumi**, Tokyo (JP)
- (73) Assignee: **Shachihata Inc.**, Nagoya-shi, Aichi (JP)
- (\*\*) Term: **15 Years**
- (21) Appl. No.: **29/553,064**
- (22) Filed: **Jan. 28, 2016**
- (30) **Foreign Application Priority Data**

Jul. 28, 2015 (JP) ..... 2015-016817

- (51) **LOC (10) Cl.** ..... **19-02**
- (52) **U.S. Cl.**  
USPC ..... **D18/15**
- (58) **Field of Classification Search**  
USPC ..... D18/15, 16, 17, 18, 50; D19/65-68, 70, D19/71; D9/770, 548, 432

(Continued)

(56) **References Cited**

**U.S. PATENT DOCUMENTS**

- D376,383 S \* 12/1996 Harden ..... 101/327
  - D385,905 S \* 11/1997 Harden ..... D18/15
- (Continued)

**FOREIGN PATENT DOCUMENTS**

- CA 2377884 A1 \* 11/2001 ..... B41K 1/40
  - CN 303970022 \* 12/2016
- (Continued)

**OTHER PUBLICATIONS**

Office Depot . <URL: <http://www.officedepot.com/a/products/573358/COSCO-2-color-ENTERED-Message-Stamp/>> Visited Jun. 14, 2017. Pre-Inked Stamp.\*

Quill. <URL: [https://www.quill.com/offistamp%C2%ADpre%C2%ADinked%C2%ADcopy%C2%ADstamp/cbs/219769.html?hidedisruptive=1&cm\\_mmc=SEM\\_PLA\\_NULL\\_219769&mcode=SEM\\_PLA\\_NULL\\_21%E%80%A6](https://www.quill.com/offistamp%C2%ADpre%C2%ADinked%C2%ADcopy%C2%ADstamp/cbs/219769.html?hidedisruptive=1&cm_mmc=SEM_PLA_NULL_219769&mcode=SEM_PLA_NULL_21%E%80%A6)> Visited Jun. 14, 2017. Pre-Inked Stamp.\*

(Continued)

*Primary Examiner* — Bridget L Eland  
*Assistant Examiner* — Lauren McVey  
(74) *Attorney, Agent, or Firm* — Westerman, Hattori, Daniels & Adrian, LLP

(57) **CLAIM**

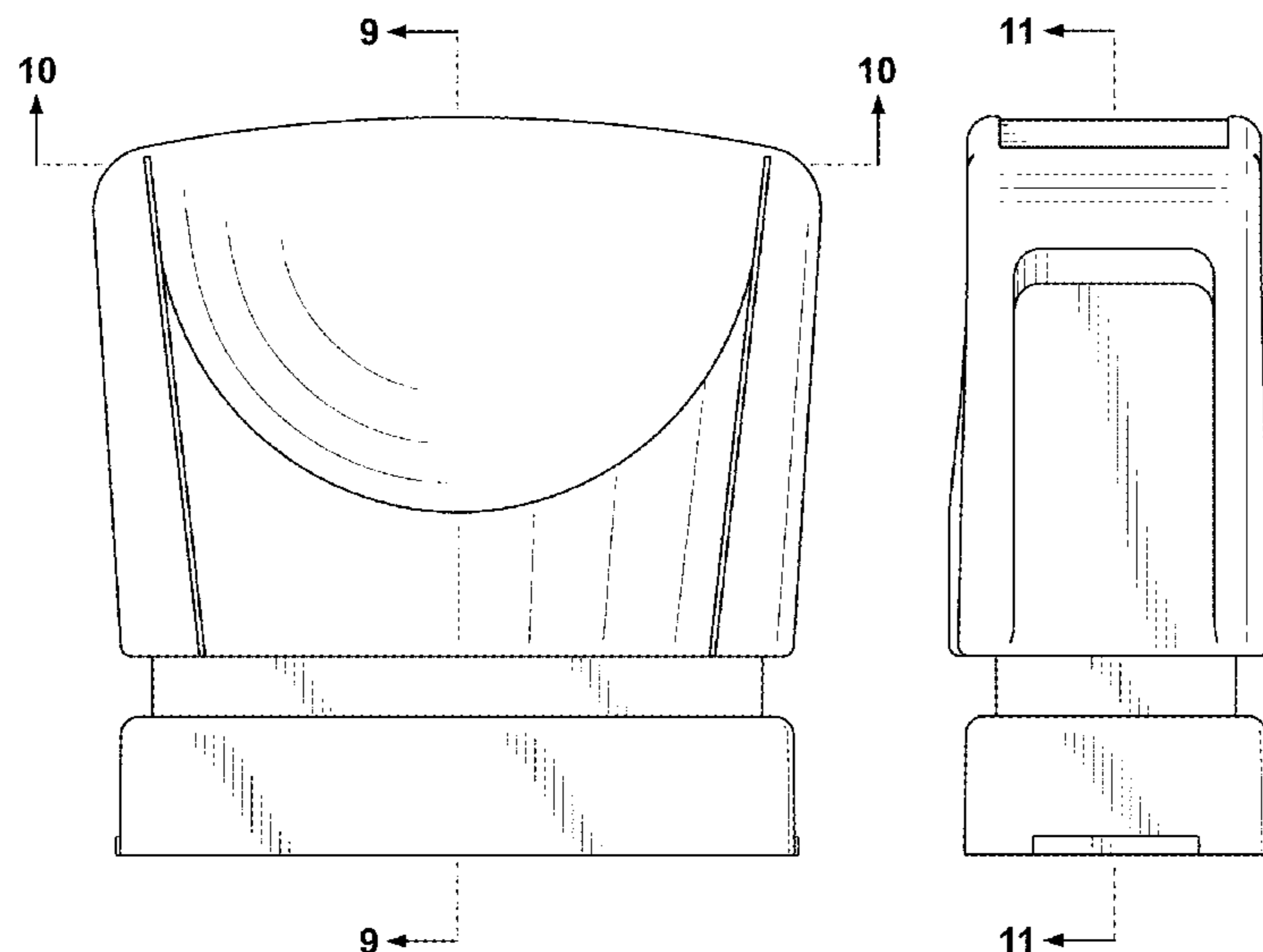
The ornamental design for a stamp, as shown and described.

**DESCRIPTION**

FIG. 1 is a top, right, front perspective view of a stamp showing our new design;  
 FIG. 2 is a bottom, right, front, perspective view thereof;  
 FIG. 3 is a front elevational view thereof;  
 FIG. 4 is a rear elevational view thereof;  
 FIG. 5 is a right side elevational view thereof;  
 FIG. 6 is a left side elevational view thereof;  
 FIG. 7 is a top plan view thereof;  
 FIG. 8 is a bottom plan view thereof;  
 FIG. 9 is a cross-sectional view thereof, taken in the direction of line 9-9 in FIG. 3;  
 FIG. 10 is a cross-sectional view thereof, taken in the direction of line 10-10 in FIG. 3; and,  
 FIG. 11 is a cross-sectional view thereof, taken in the direction of line 11-11 in FIG. 5.

The broken lines shown in the FIGS. 9-11 views are included for the purpose of illustrating portions of the article that form no part of the claimed design. In addition, the unshaded innermost surface (as shown with symbolic broken line hatching) directly adjoining the outer most solid line edge forms no part of the claimed design. The broken line arrows in the cross-section FIGS. 3 and 5 views are used to identify the cross-section views, are for reference purposes only, and form no part of the claimed design.

**1 Claim, 7 Drawing Sheets**



(58) **Field of Classification Search**

CPC . B41J 2/1752; B41J 3/36; B41J 29/023; B41J 2/17526; B41J 3/28; B41K 1/38; B41K 1/00; B41K 1/006; B41K 1/02; B41K 1/08; B41K 1/40; B41K 1/42; B41K 1/52; B41K 1/54; B41K 1/56; B41K 1/36; B23K 26/00; B23K 26/10; B41C 3/04; B41D 7/00

See application file for complete search history.

FOREIGN PATENT DOCUMENTS

JP	D1212627	A	6/2004	
JP	D1221871	S	9/2004	
JP	D1221872	S	9/2004	
JP	D1260537	S	12/2005	
JP	D1546026	*	3/2016	
JP	D1546027	*	3/2016	
WO	WO 0228658	A1 *	4/2002	..... B41K 1/38
WO	WO 2006072121	A2 *	7/2006	..... B41K 1/40
WO	WO 2007082330	A1 *	7/2007	..... B41K 1/02

(56) **References Cited**

U.S. PATENT DOCUMENTS

D417,232	S *	11/1999	Harden	.....	D18/15
D427,233	S *	6/2000	Faber	.....	D18/15
D430,891	S *	9/2000	Faber	.....	D18/15
D507,294	S *	7/2005	Kida	.....	D18/15
D507,807	S *	7/2005	Kida	.....	D18/15
D508,257	S *	8/2005	Kida	.....	D18/15
D508,521	S *	8/2005	Kida	.....	D18/15
D538,841	S *	3/2007	Faber	.....	D18/15
D539,836	S *	4/2007	Faber	.....	D18/15
D545,884	S *	7/2007	Faber	.....	D18/15
D545,885	S *	7/2007	Faber	.....	D18/15

OTHER PUBLICATIONS

Office Depot . <URL: <http://www.officedepot.com/a/products/275037/US-Stamp-Sign-Pre-inked-Entered/>> Visited Jun. 14, 2017. Pre-Inked Stamp.\*

Deluxe Enterprise Operations. <URL: [https://www.deluxe.com/shopdeluxe/pd/endorsement-stamp-pre-inked-popular-layout/\\_/A-D2023?PROMOCODE=DH089&s\\_kwid=MARIN\\_14801lmkwid|C758oS33|pcrid|39577388894|prdcat|Core+Comp.lcmptyp|Non-Brandi](https://www.deluxe.com/shopdeluxe/pd/endorsement-stamp-pre-inked-popular-layout/_/A-D2023?PROMOCODE=DH089&s_kwid=MARIN_14801lmkwid|C758oS33|pcrid|39577388894|prdcat|Core+Comp.lcmptyp|Non-Brandi)> Visited Jun. 14, 2017. Pre-Inked Stamp.\*

\* cited by examiner

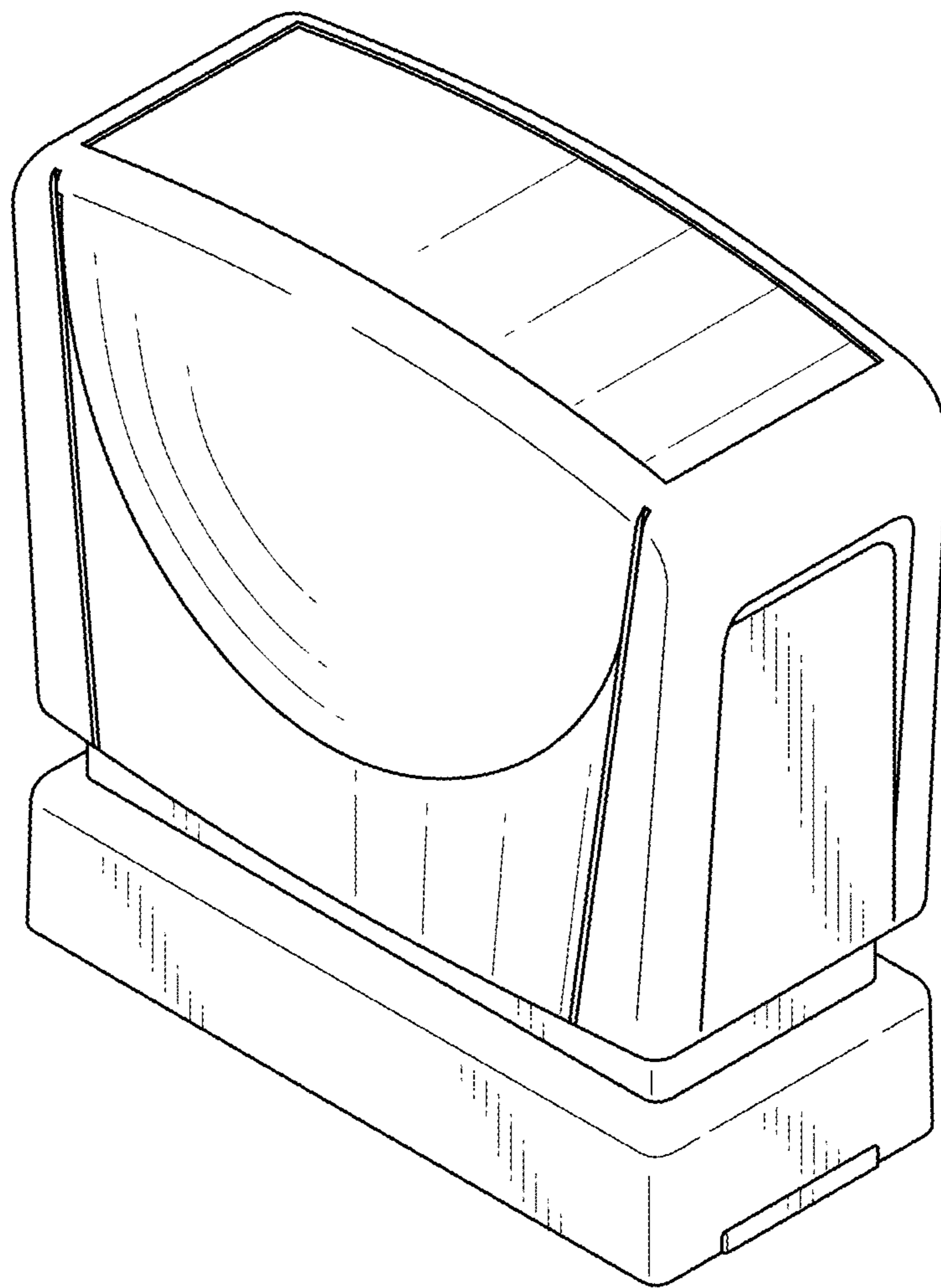


FIG. 1

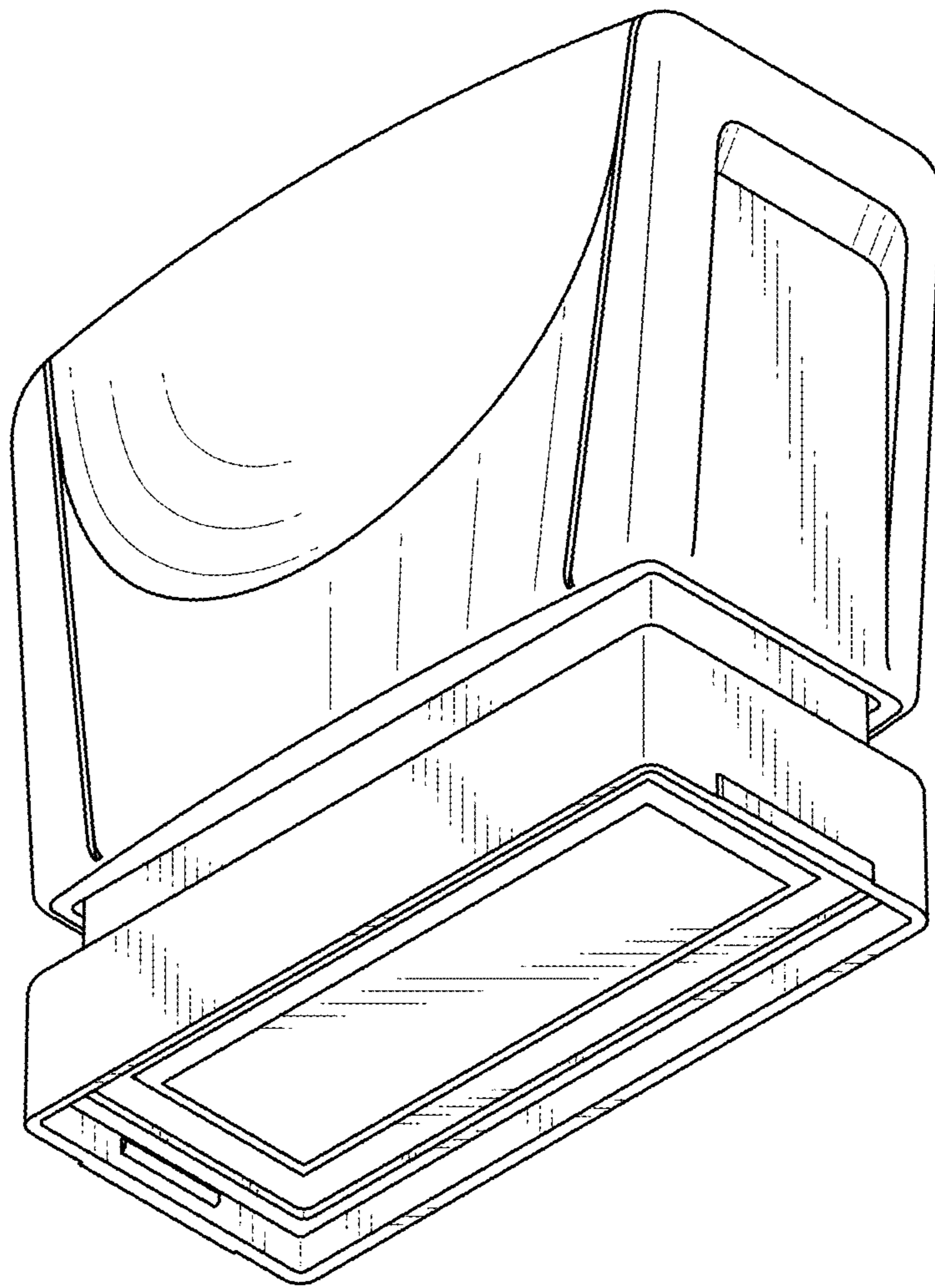


FIG. 2

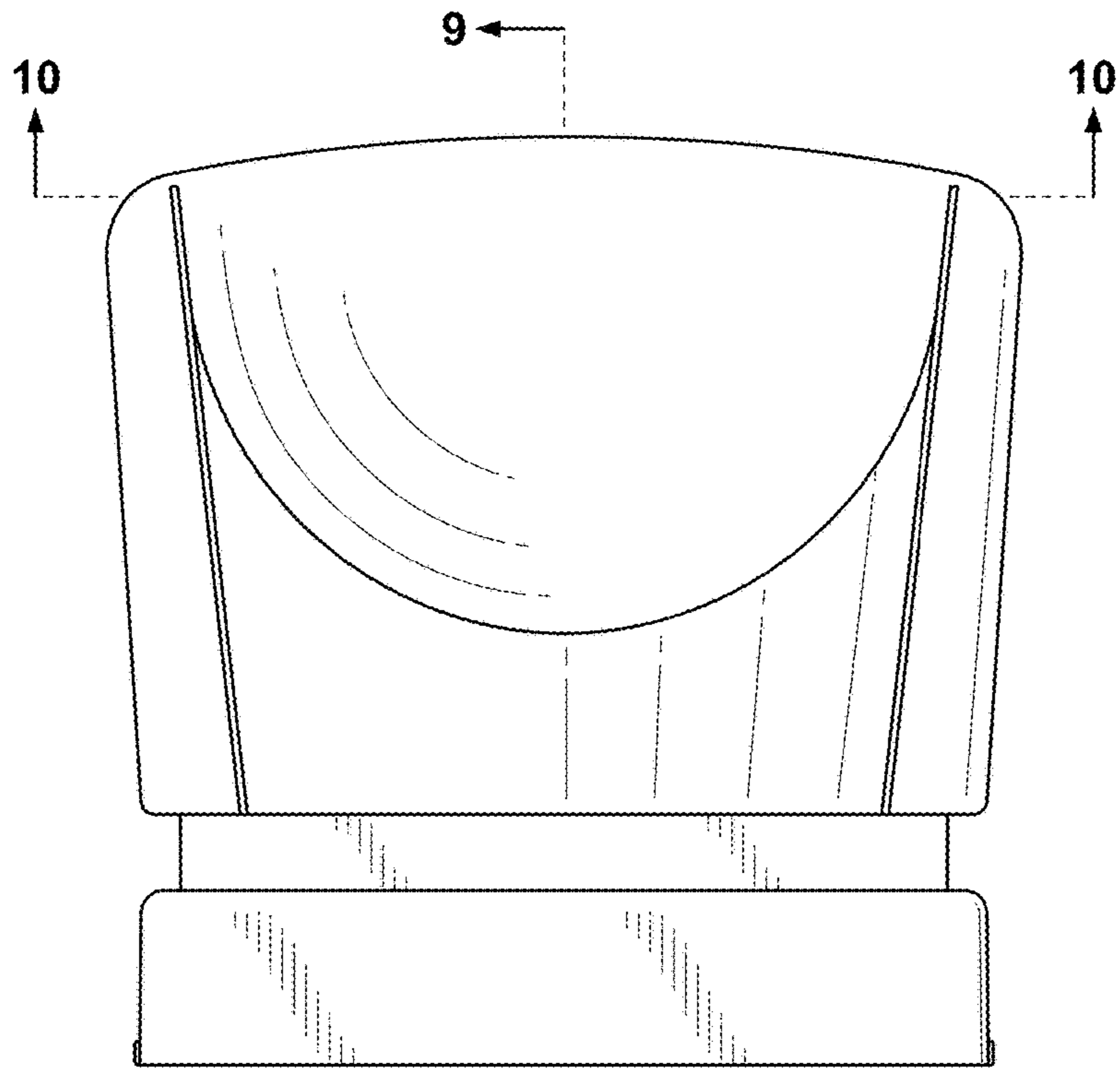


FIG. 3

9 ←

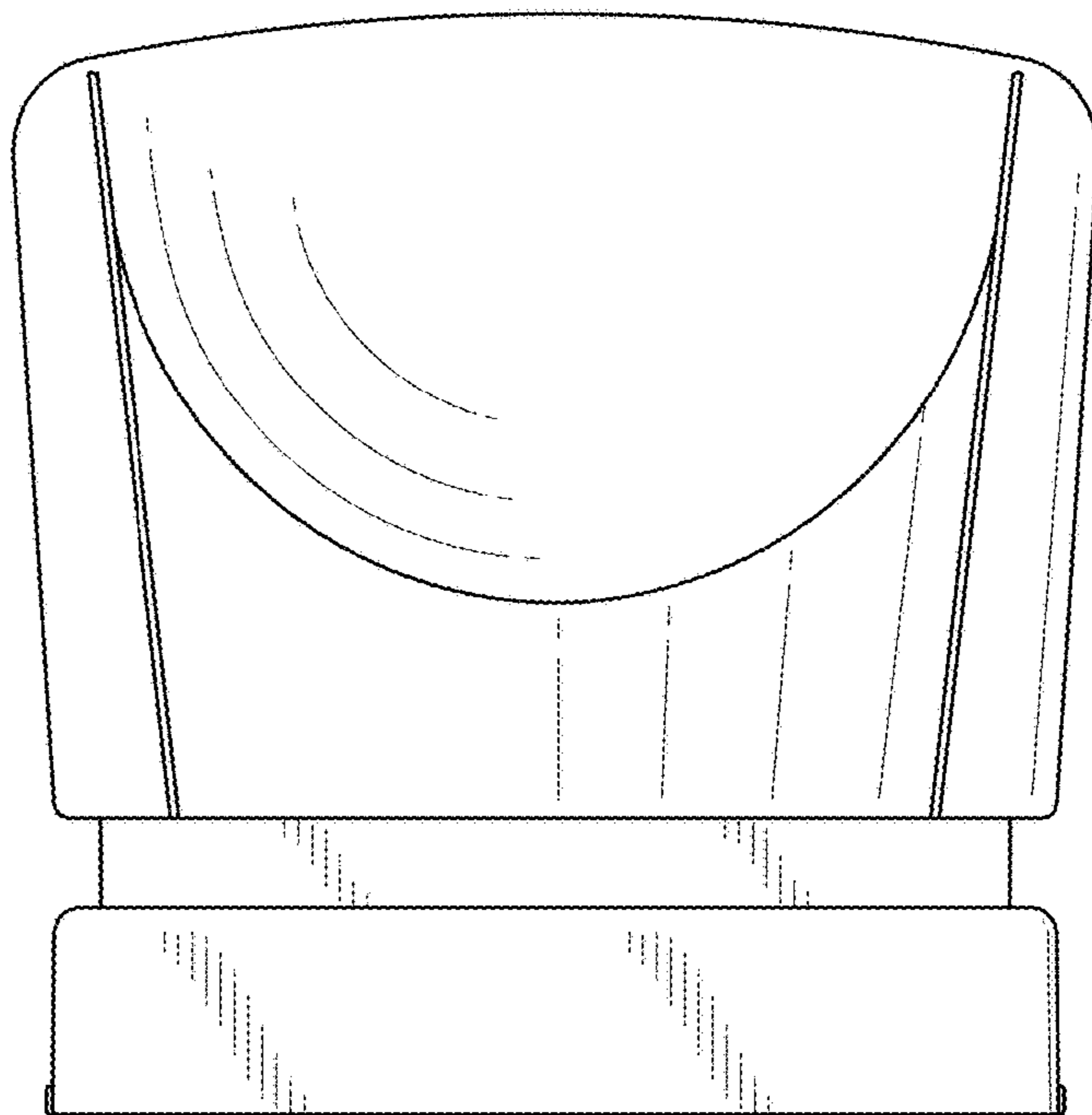


FIG. 4

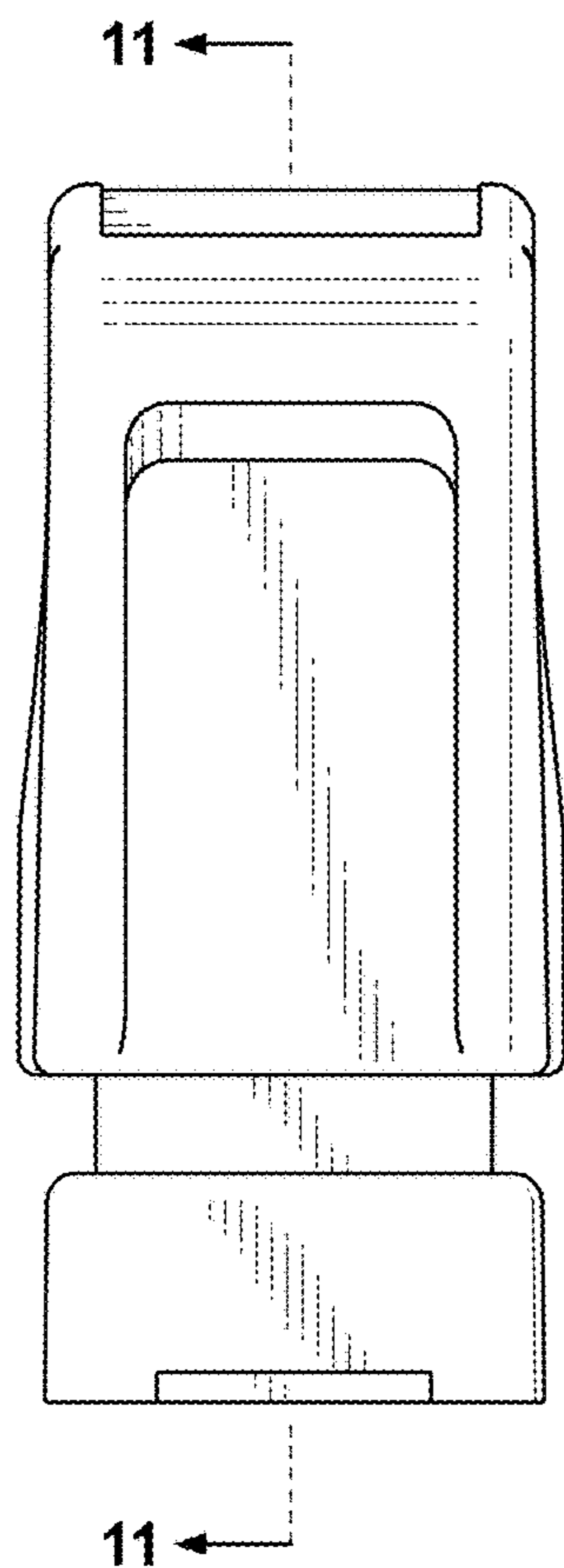


FIG. 5

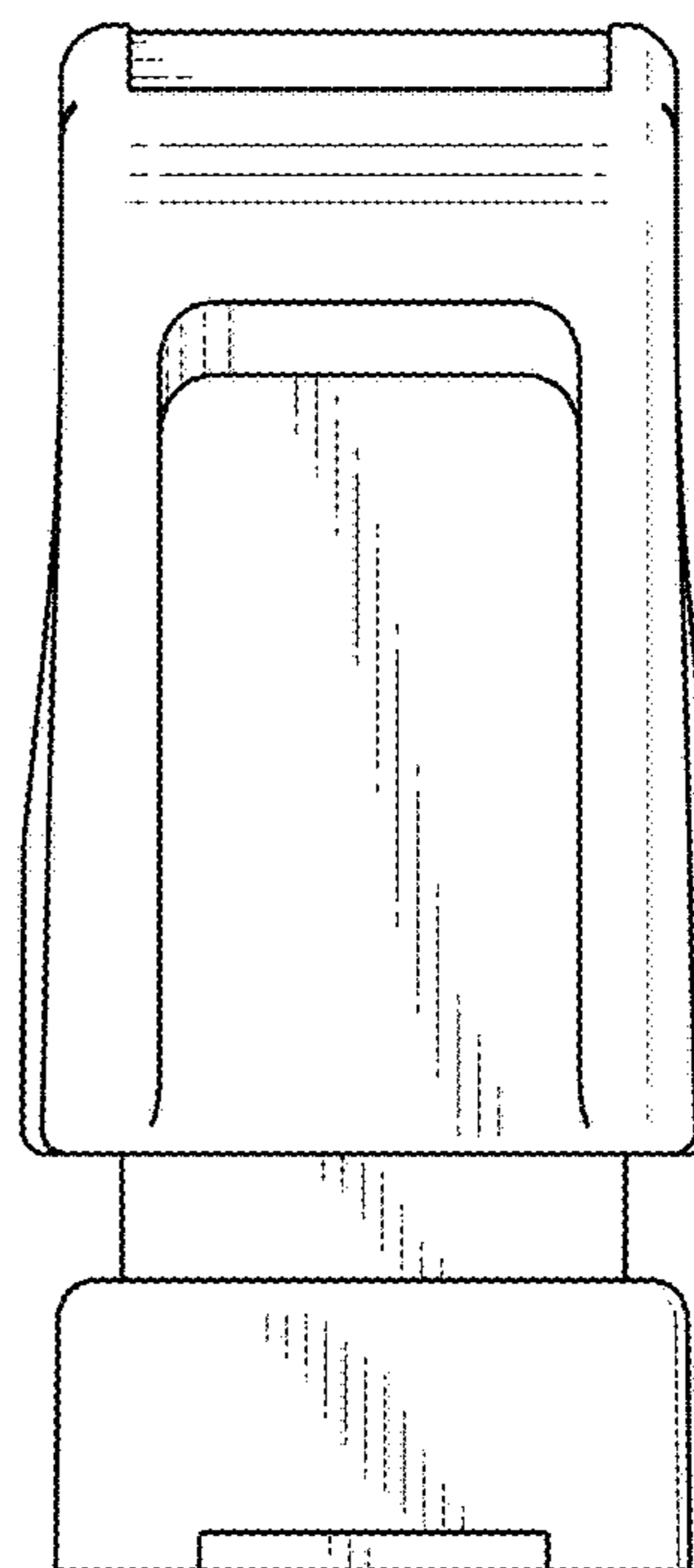


FIG. 6

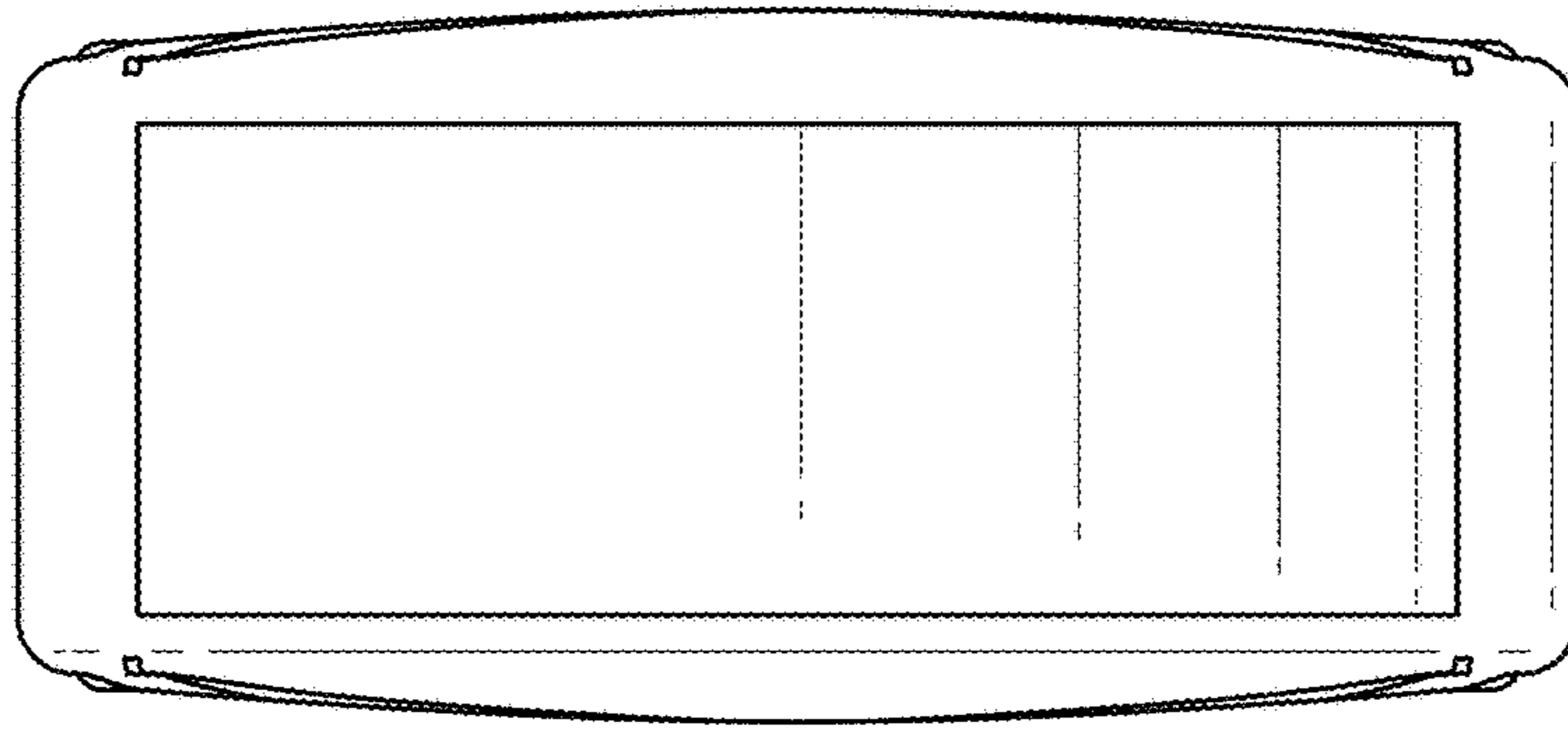


FIG. 7

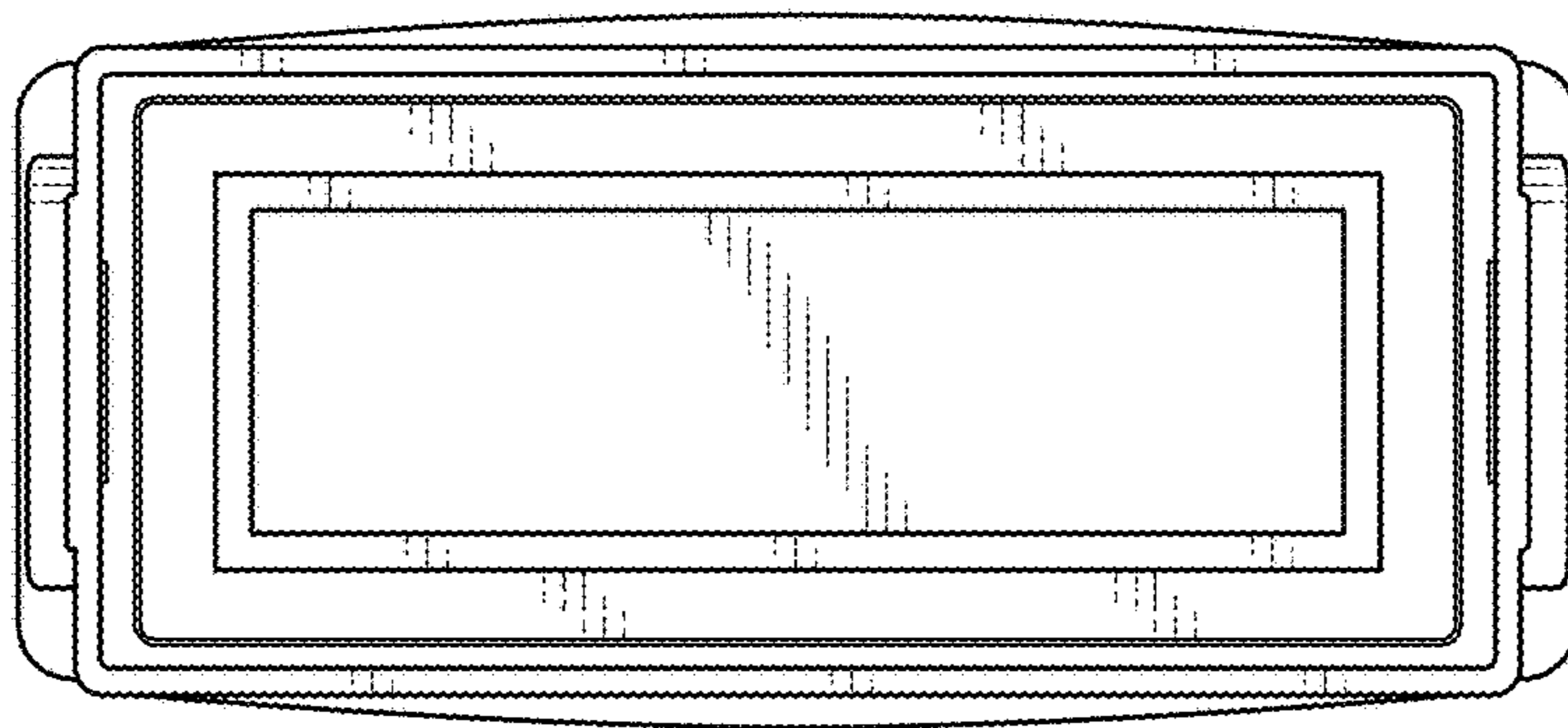


FIG. 8

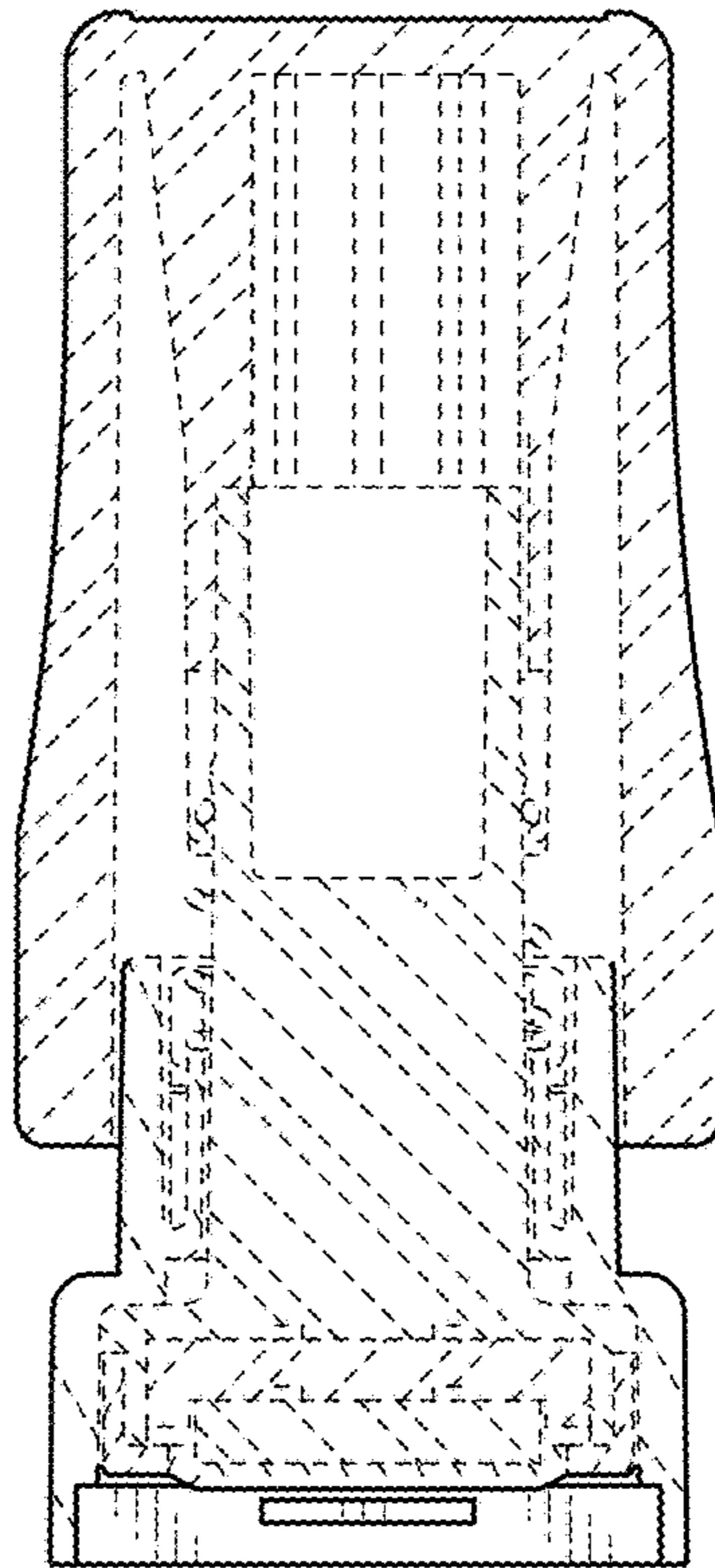


FIG. 9

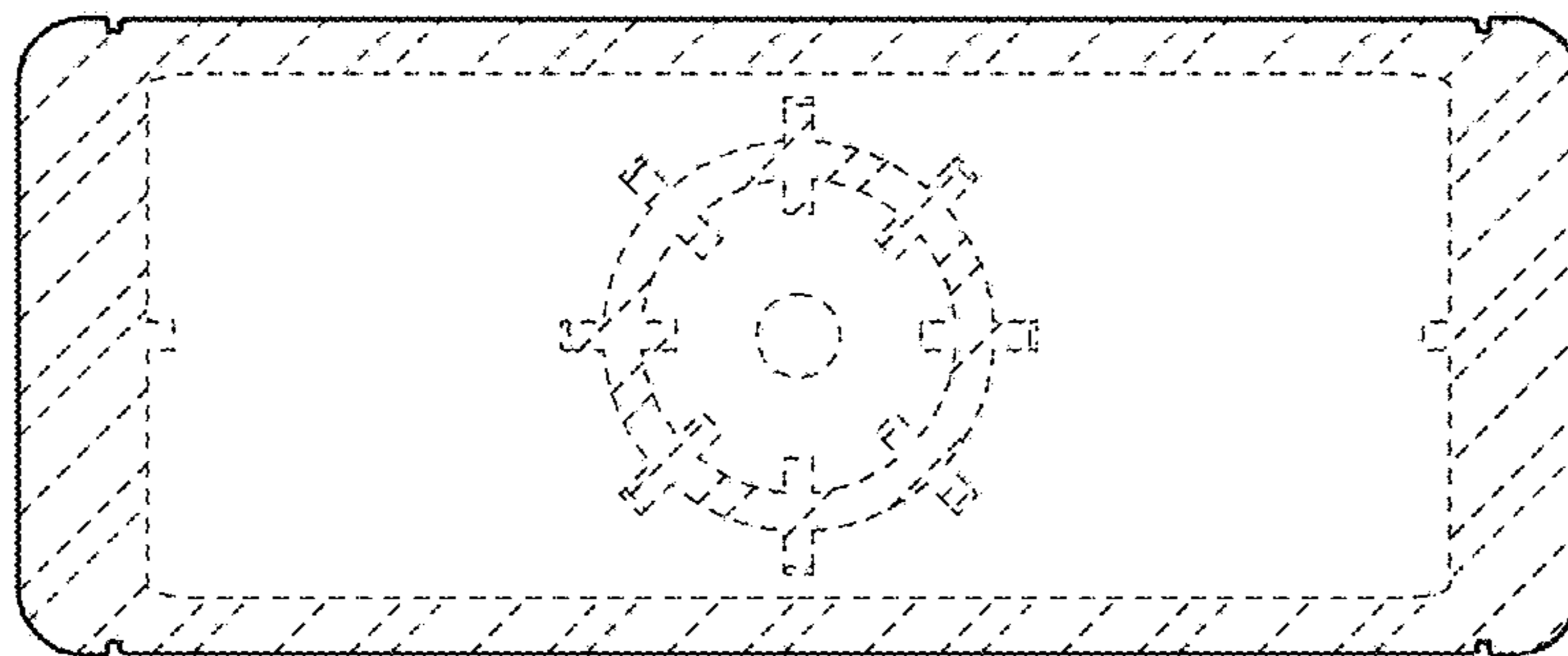


FIG. 10



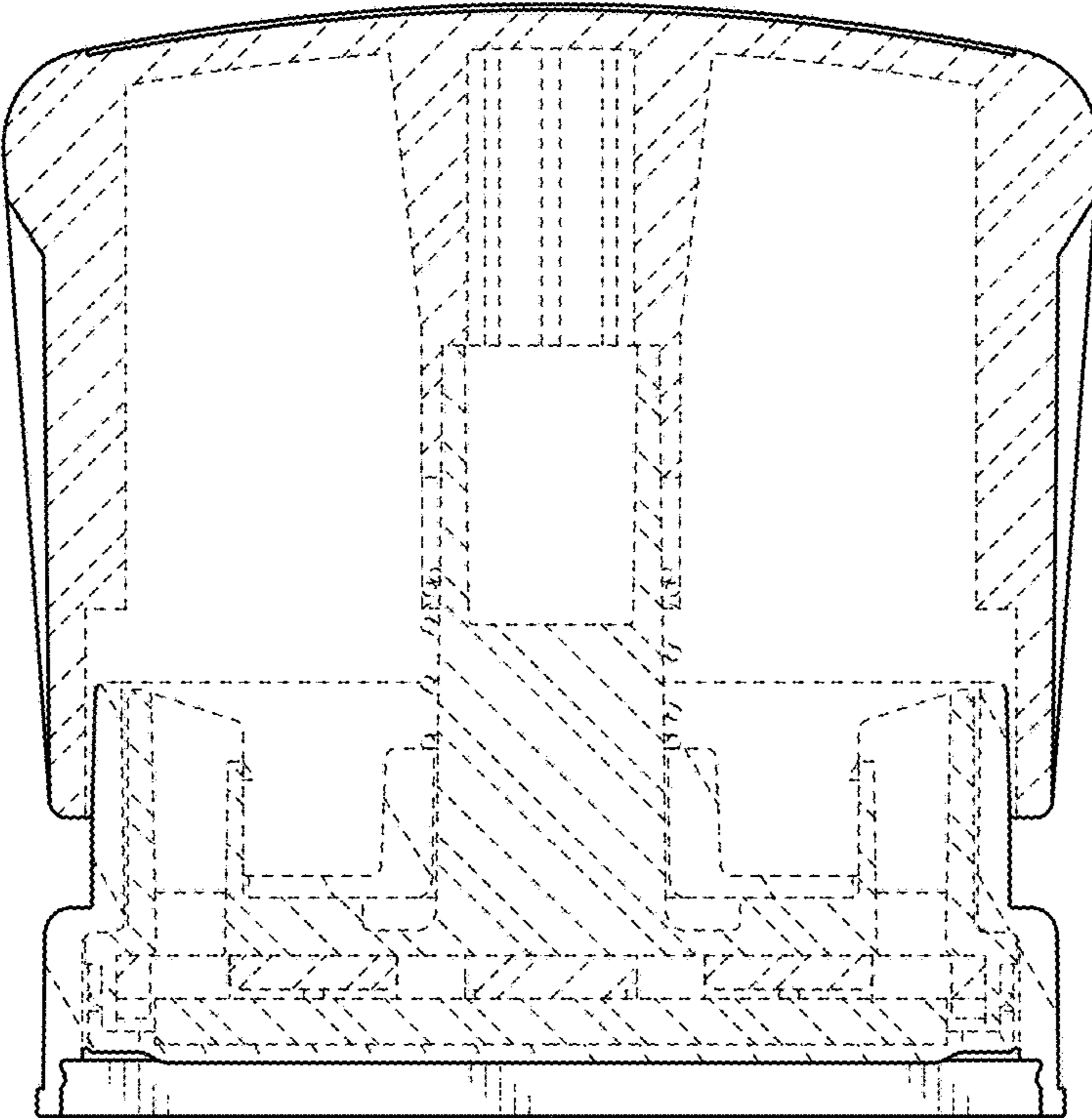


FIG. 11