



US00D802653S

(12) **United States Design Patent** (10) **Patent No.:** **US D802,653 S**
Shih (45) **Date of Patent:** **** Nov. 14, 2017**

(54) **STAMP WITH BOTTOM LID**

FOREIGN PATENT DOCUMENTS

(71) Applicant: **SUN SAME ENTERPRISES CO., LTD.**, Tainan (TW)

CN 303635289 * 4/2016

(72) Inventor: **Wen-Jer Shih**, Tainan (TW)

OTHER PUBLICATIONS

(73) Assignee: **SUN SAME ENTERPRISES CO., LTD.**, Tainan (TW)

Amazon. <URL: https://www.amazon.com/Lsushine-Craft-Stamps-Partner-Fabric/dp/B01IB0Z7GW/ref=pd_sbs_201_7?_encoding=UTF8&pd_rd_i=B01IB0Z7GW&pd_rd_r=DYFF23FC2V7XJSM7ANQ8&pd_rd_w=9mUG1&pd_rd_wg=u7ds7&psc=1&refRID=DYFF23FC2V7XJSM7ANQ8> Dec. 8, 2016. Pigment Ink Stamp Pad.*

(**) Term: **15 Years**

(21) Appl. No.: **29/552,309**

(Continued)

(22) Filed: **Jan. 21, 2016**

(51) **LOC (10) Cl.** **19-02**

(52) **U.S. Cl.**
USPC **D18/15**

(58) **Field of Classification Search**
USPC D18/15, 16, 17, 18, 50; D19/65-68, 70, D19/71; D9/770, 548, 432
CPC . B41J 2/1752; B41J 3/36; B41J 29/023; B41J 2/17526; B41J 3/28; B41K 1/38; B41K 1/00; B41K 1/006; B41K 1/02; B41K 1/08; B41K 1/40; B41K 1/42; B41K 1/52; B41K 1/54; B41K 1/56; B41K 1/36; B23K 26/00; B23K 26/10; B41C 3/04; B41D 7/00

See application file for complete search history.

Primary Examiner — Bridget L Eland

Assistant Examiner — Lauren McVey

(74) *Attorney, Agent, or Firm* — WPAT, P.C., Intellectual Property Attorneys; Anthony King

(57) **CLAIM**

The ornamental design for a stamp with bottom lid, as shown and described.

DESCRIPTION

FIG. 1 is a perspective view of a stamp with bottom lid showing my new design;
FIG. 2 is a front view thereof;
FIG. 3 is a rear view thereof;
FIG. 4 is a left side view thereof;
FIG. 5 is a right side view thereof;
FIG. 6 is a top view thereof;
FIG. 7 is a bottom view thereof; and,
FIG. 8 is an exploded perspective view thereof; showing the bottom lid in a detached state.
The broken lines immediately adjacent the claim represent the bounds of the claimed design while all other broken lines are directed to environment and are for illustrative purposes only; the broken lines form no part of the claimed design.

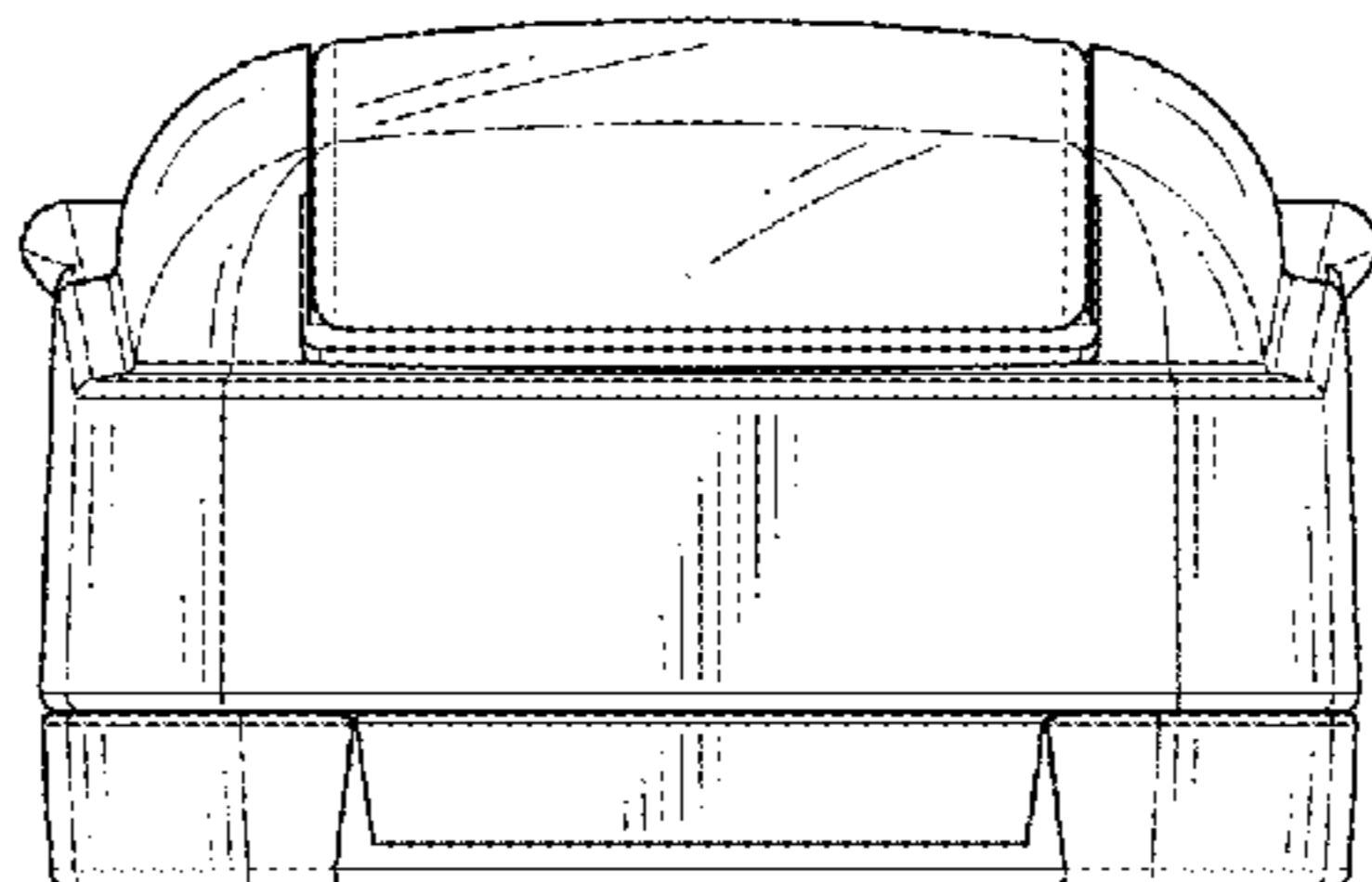
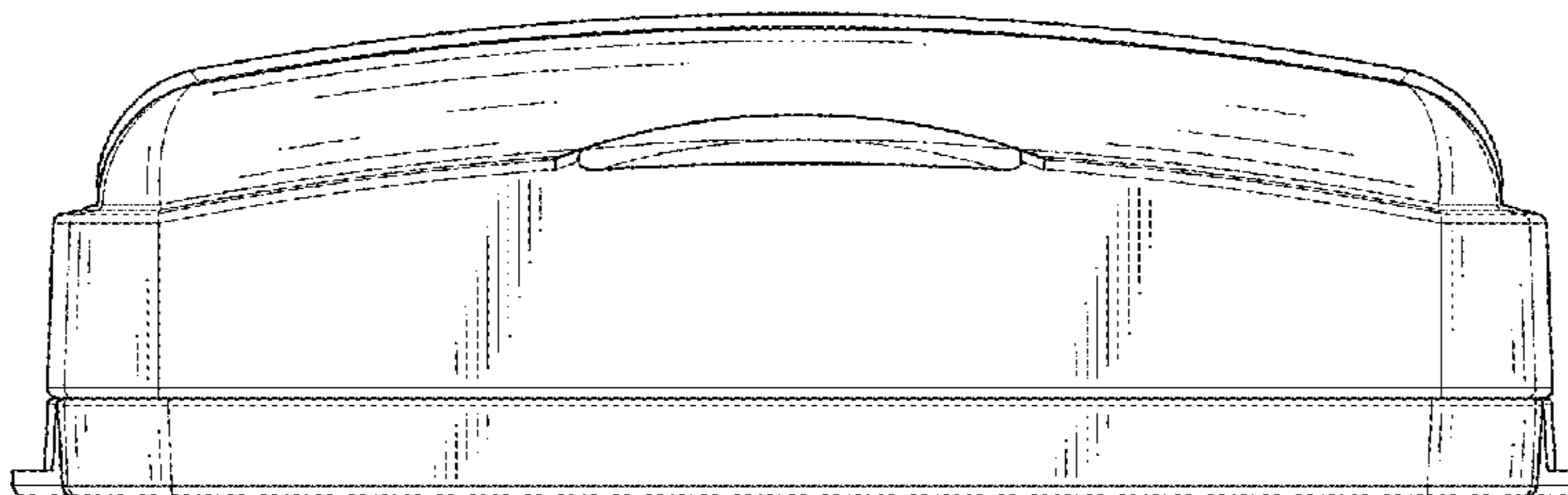
(56) **References Cited**

U.S. PATENT DOCUMENTS

D331,418 S *	12/1992	Winston	D18/15
D372,731 S *	8/1996	Yasoshima	D18/17
D372,933 S *	8/1996	Winston	D18/17
D375,516 S *	11/1996	Winston	D18/17
D381,038 S *	7/1997	Yasoshima	D18/17
D400,567 S *	11/1998	Yasoshima	D18/17
D419,180 S *	1/2000	Yasoshima	D18/17
6,199,482 B1 *	3/2001	Yasoshima	B41K 1/54 D18/17
D513,036 S *	12/2005	Wan	D18/15
D610,192 S *	2/2010	Shih	D18/17

(Continued)

1 Claim, 5 Drawing Sheets



(56)

References Cited

U.S. PATENT DOCUMENTS

D679,318 S * 4/2013 Yasoshima D18/17
D768,640 S * 10/2016 Jensen D14/451
2003/0089258 A1* 5/2003 Rigoni B41K 1/006
101/405

OTHER PUBLICATIONS

Amazon. <URL: https://www.amazon.com/Tsukineko-Full-Size-StazOn-Multi-Surface-Inkpad/dp/B0013L5SDY/ref=pd_sim_201_7?_encoding=UTF8&pd_rd_i=B0013L5SDY&pd_rd_r=M41GJA1SJZ9RYTVQG8Y2&pd_rd_w=0WXtE&pd_rd_wg=dS2T9&psc=1&refRID=M41GJA1SJZ9RYTVQG8Y2> Sep. 14, 2013. Stamp Inkpad.*

* cited by examiner

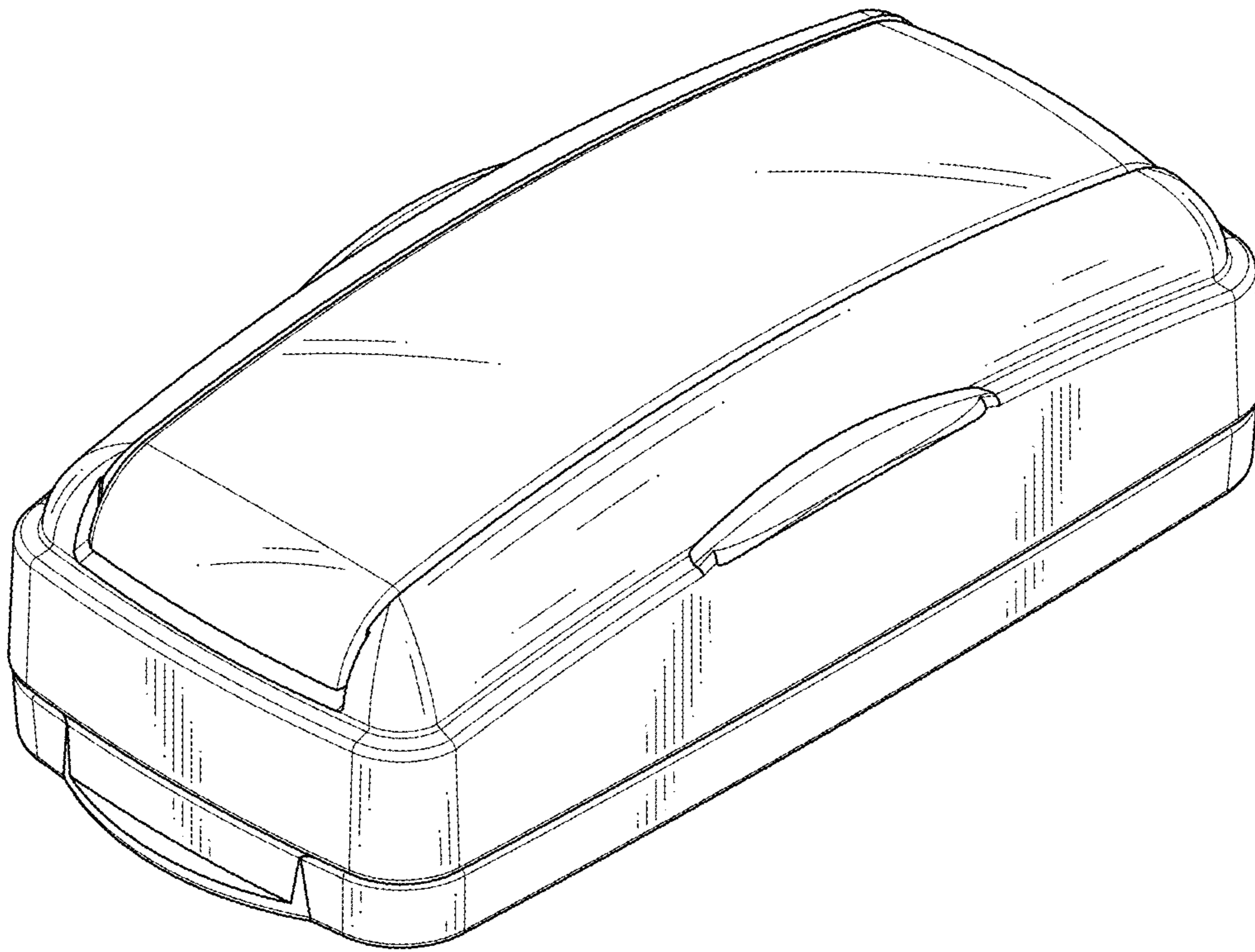


FIG. 1

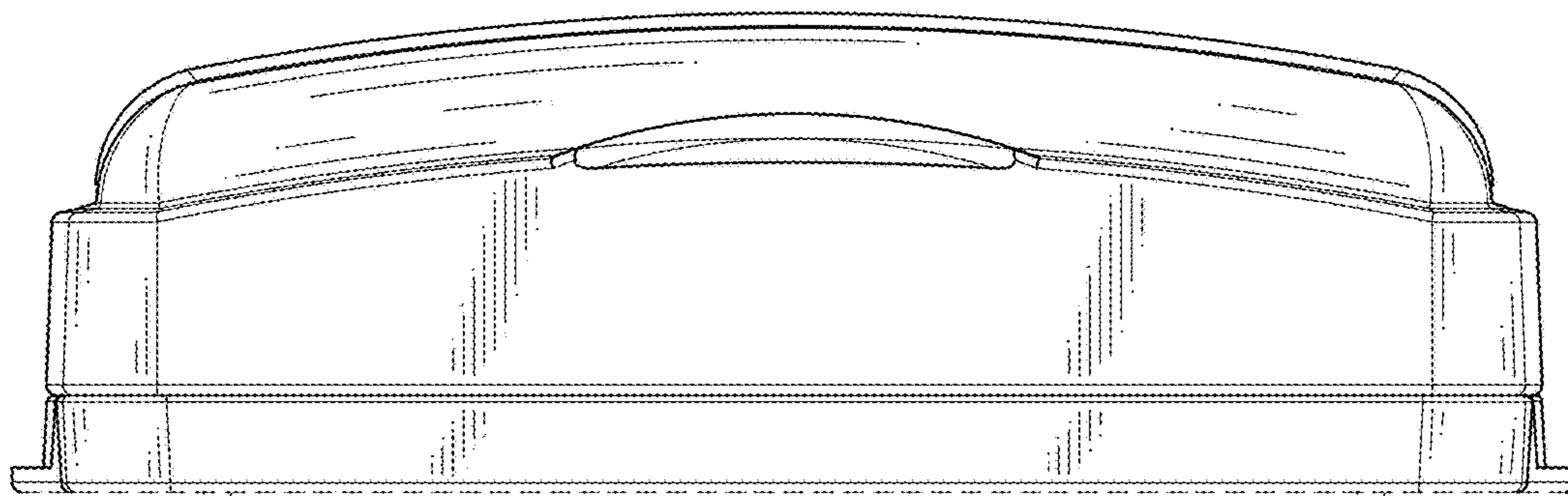


FIG. 2

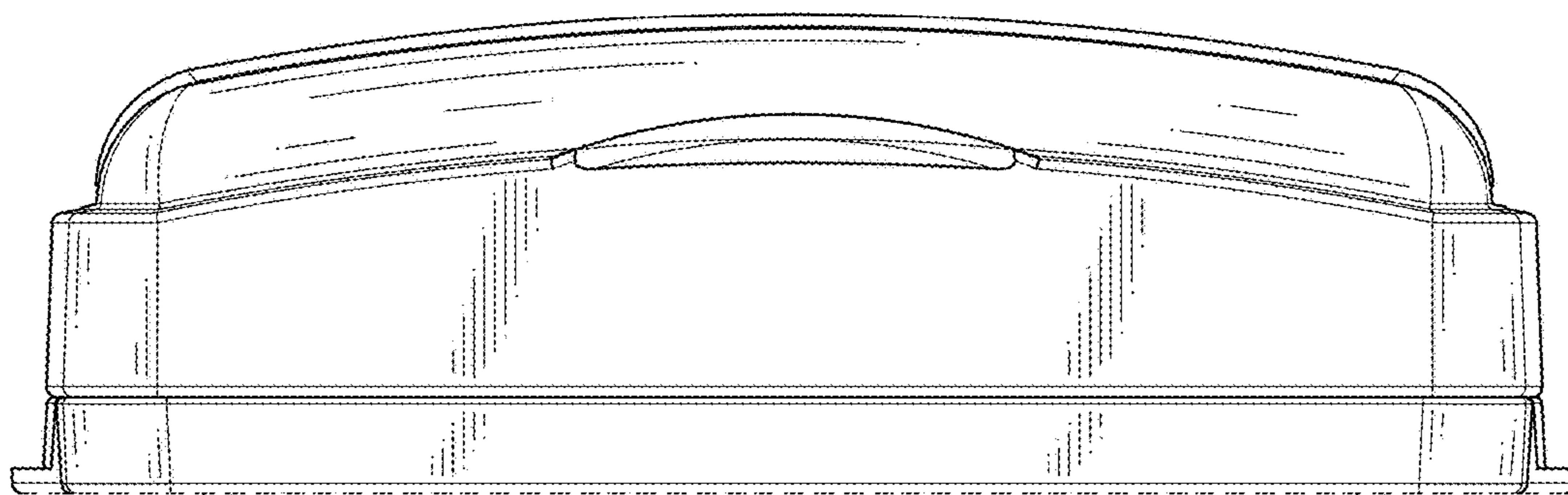


FIG. 3

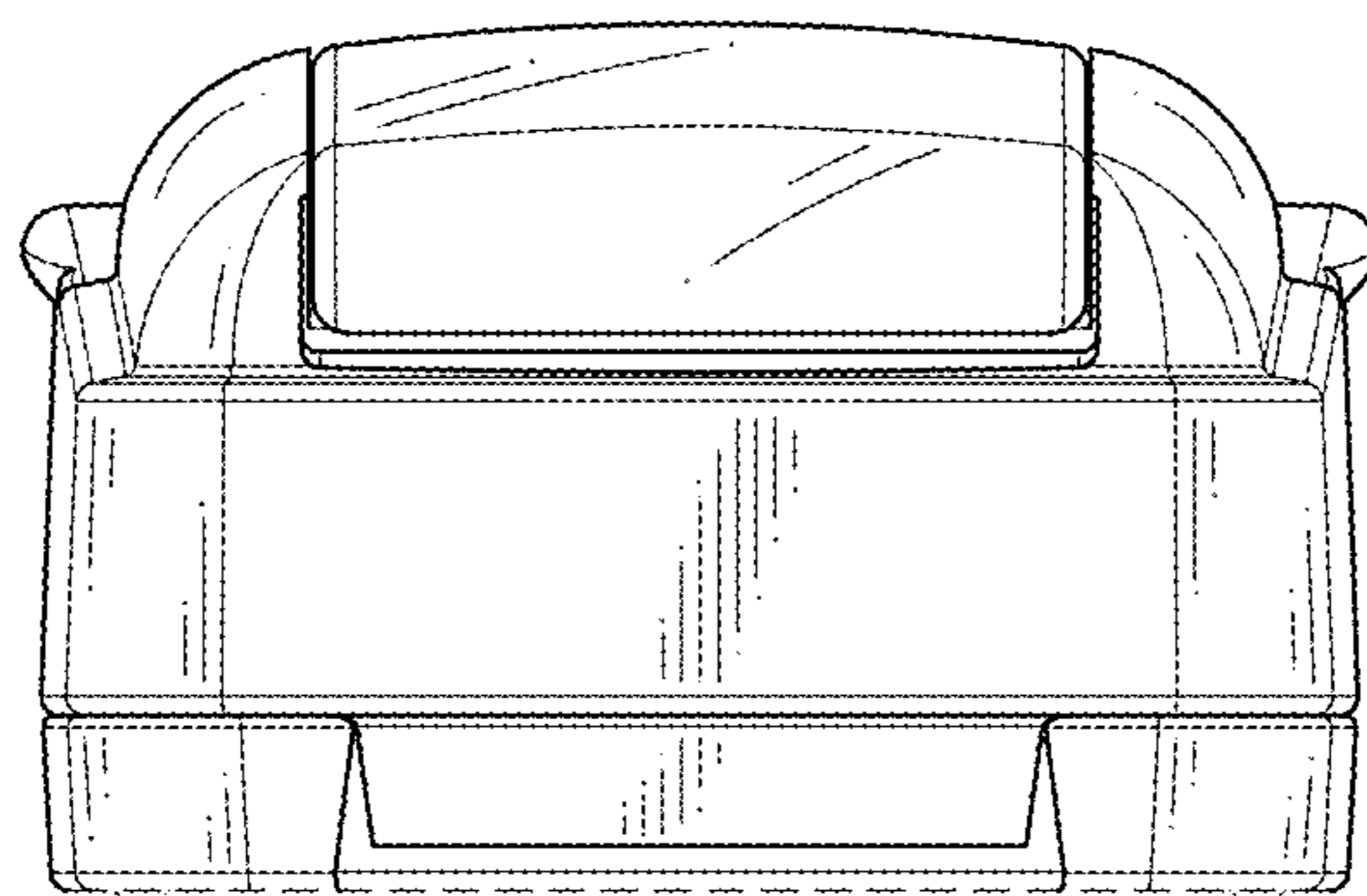


FIG. 4

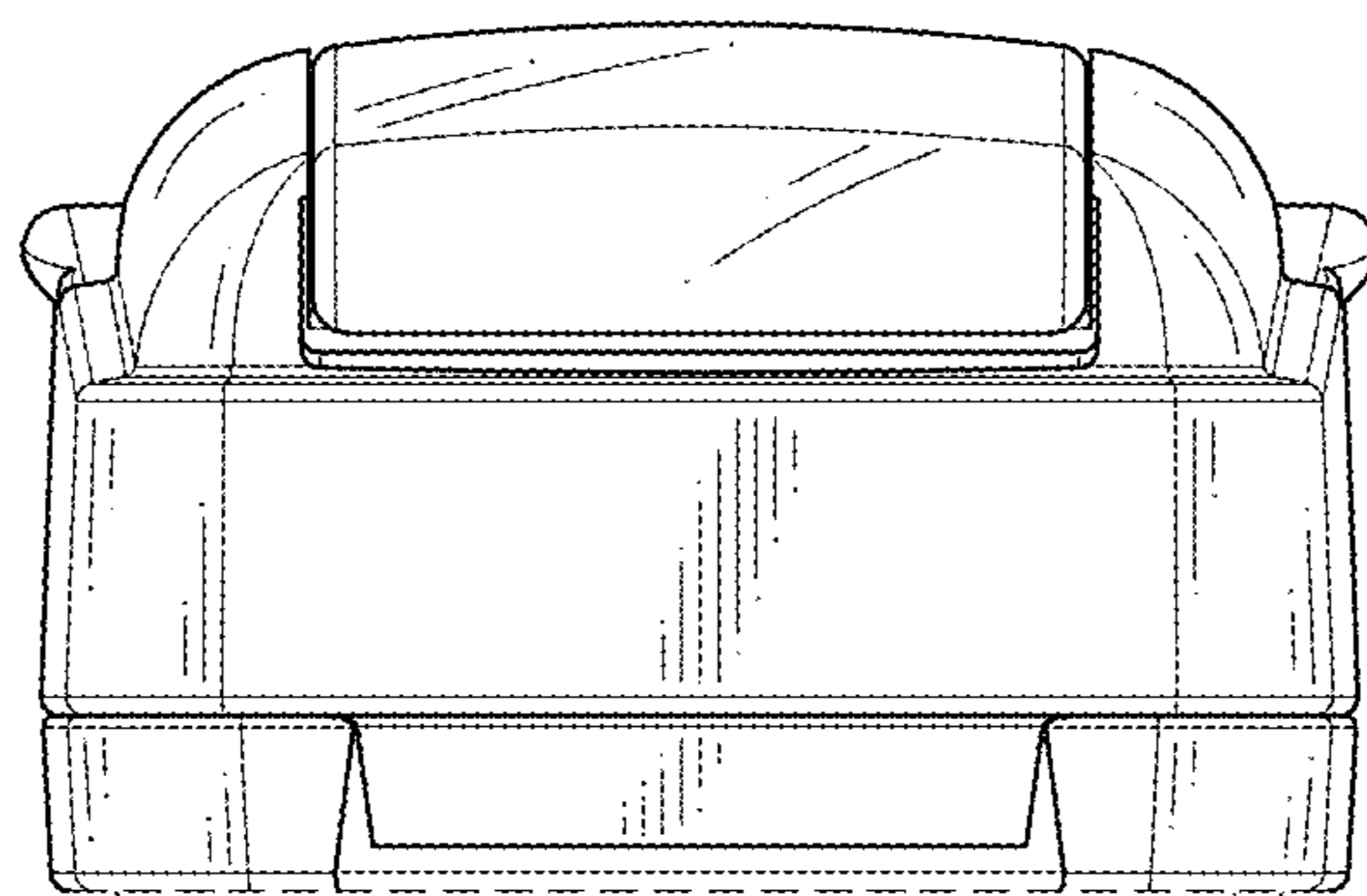


FIG. 5

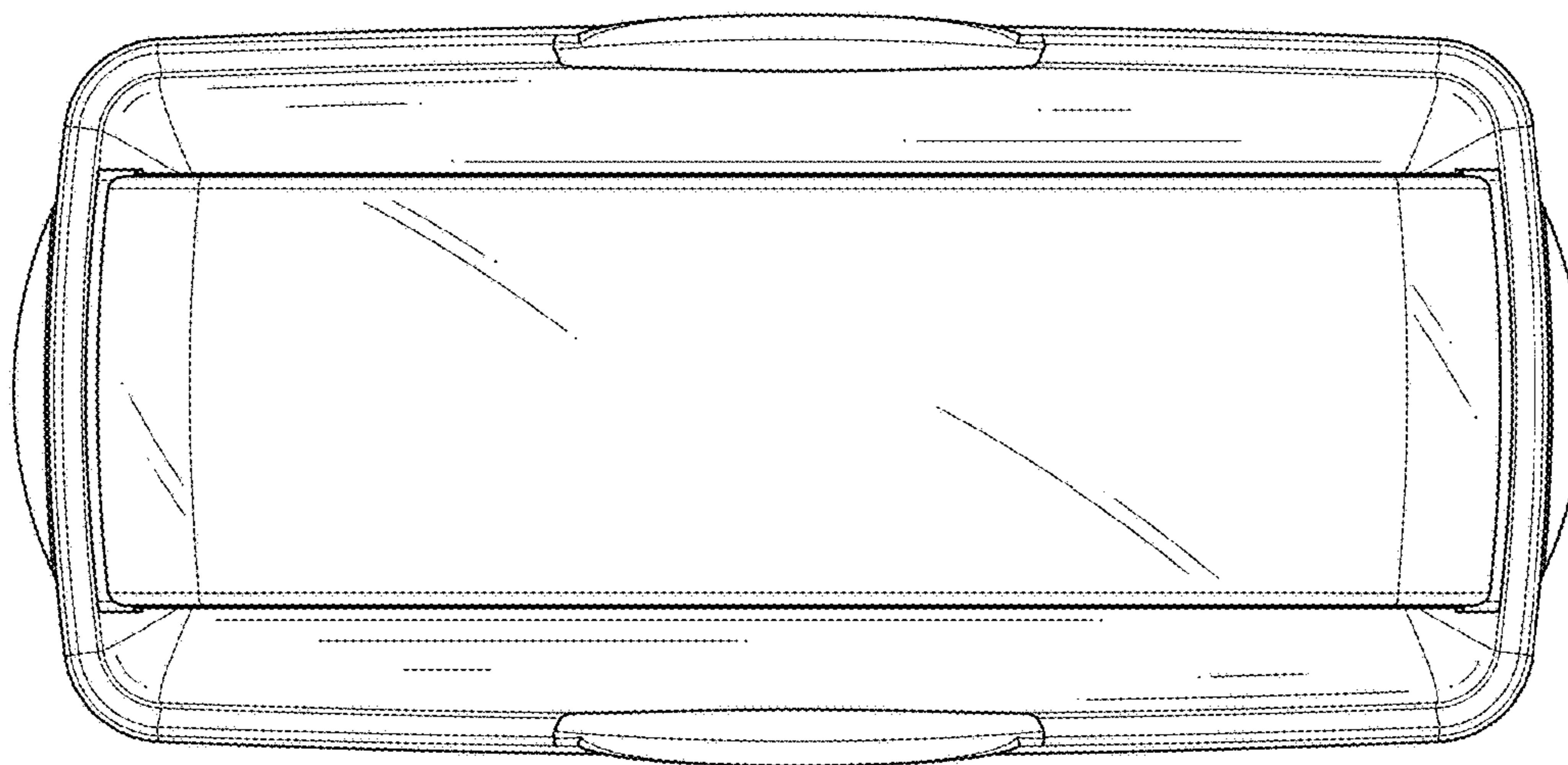


FIG. 6

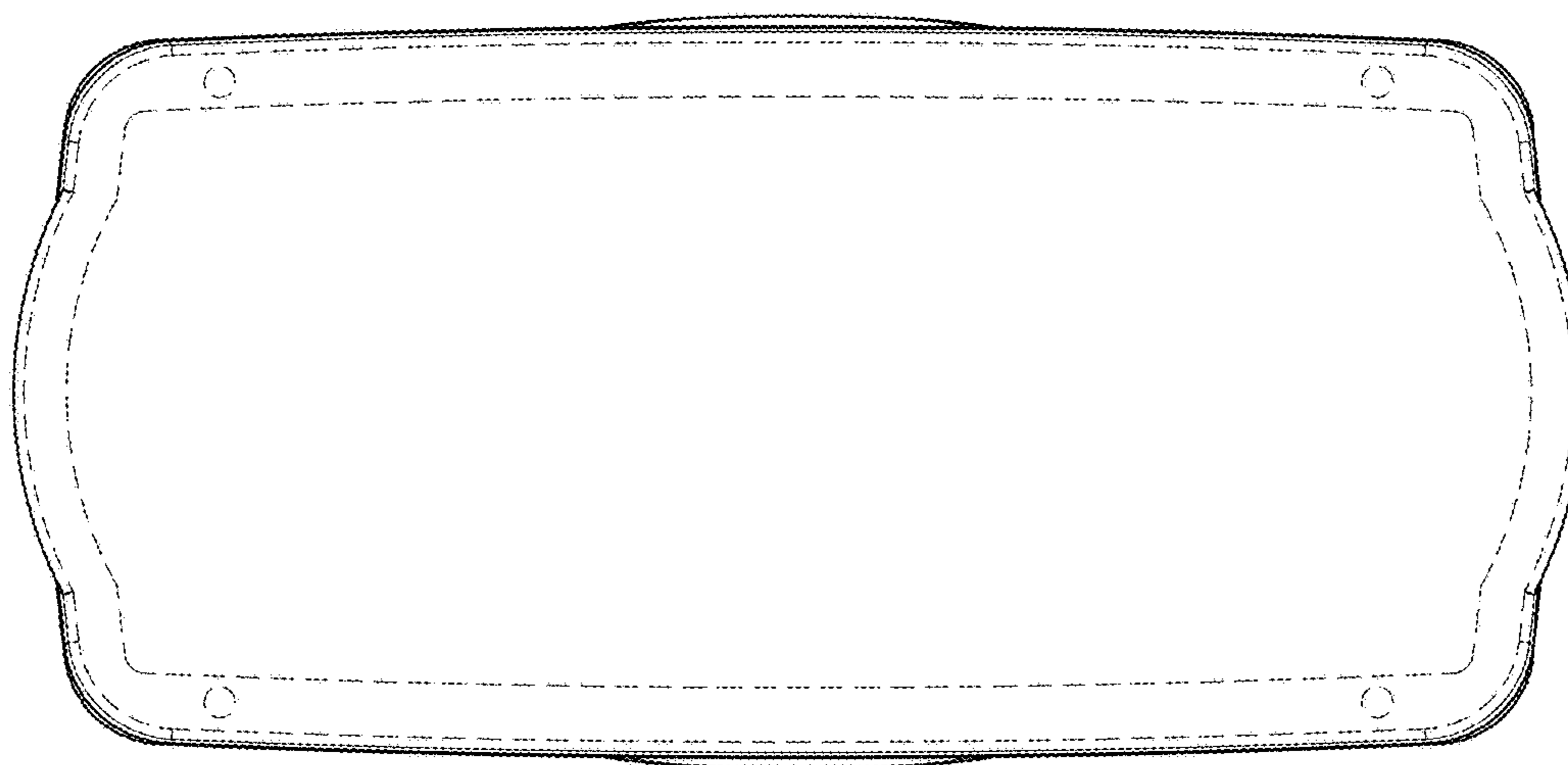


FIG. 7

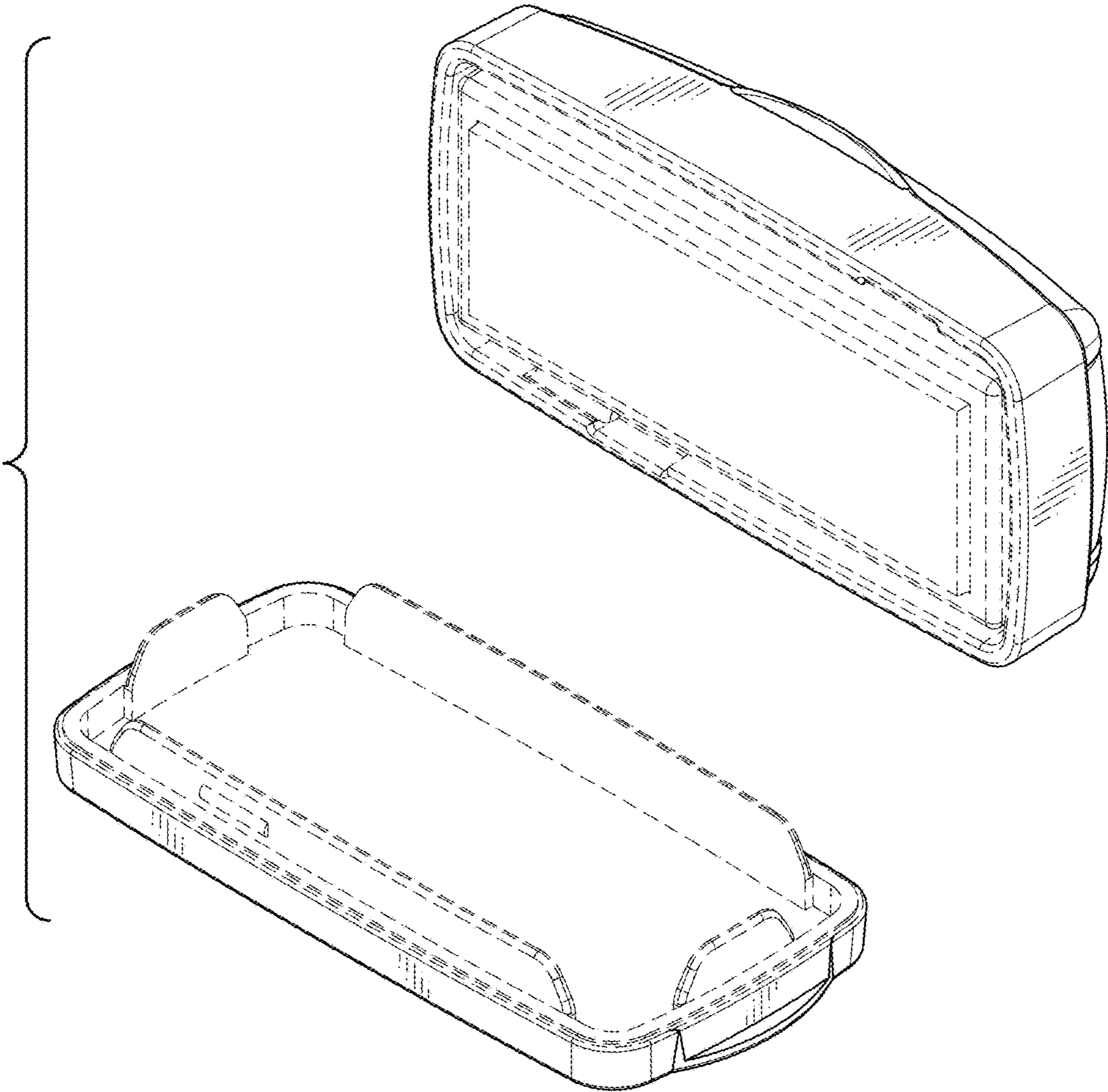


FIG. 8