



US00D802652S

(12) **United States Design Patent**  
**Cooper**

(10) **Patent No.:** **US D802,652 S**

(45) **Date of Patent:** **\*\* Nov. 14, 2017**

(54) **DRUMSTICK**

(71) Applicant: **Carlo Cooper**, Oak Park, IL (US)

(72) Inventor: **Carlo Cooper**, Oak Park, IL (US)

(\*\*) Term: **15 Years**

(21) Appl. No.: **29/564,830**

(22) Filed: **May 16, 2016**

(51) **LOC (10) Cl.** ..... **17-03**

(52) **U.S. Cl.**  
USPC ..... **D17/22**

(58) **Field of Classification Search**  
USPC ..... D12/194; D17/14, 19, 21, 22, 99;  
D21/405

CPC ..... G10D 13/003; G10D 3/043; G10D 1/02;  
G10D 3/06

See application file for complete search history.

(56) **References Cited**

U.S. PATENT DOCUMENTS

3,146,659	A *	9/1964	Robba	.....	G10D 13/003 84/422.4
3,165,964	A *	1/1965	Stys	.....	G10D 13/003 84/422.4
4,719,836	A *	1/1988	Baumgart	.....	G10D 13/003 84/422.4
6,118,062	A *	9/2000	Thoman	.....	G10D 13/003 84/422.4

D449,849	S *	10/2001	Zbrzezny	.....	D17/22
6,326,535	B1 *	12/2001	Pokallus	.....	G10D 13/003 84/422.4
D724,651	S *	3/2015	Cacciolo, Jr.	.....	D17/22
D775,687	S *	1/2017	Rice	.....	D17/22
2007/0068363	A1 *	3/2007	Seymour	.....	G10D 13/003 84/400
2014/0216232	A1 *	8/2014	Reid	.....	G10D 13/003 84/411 R
2014/0305283	A1 *	10/2014	Risolia	.....	G10D 13/003 84/422.4

\* cited by examiner

*Primary Examiner* — John Windmuller

*Assistant Examiner* — Benjamin Weeks

(74) *Attorney, Agent, or Firm* — Richards Patent Law P.C.

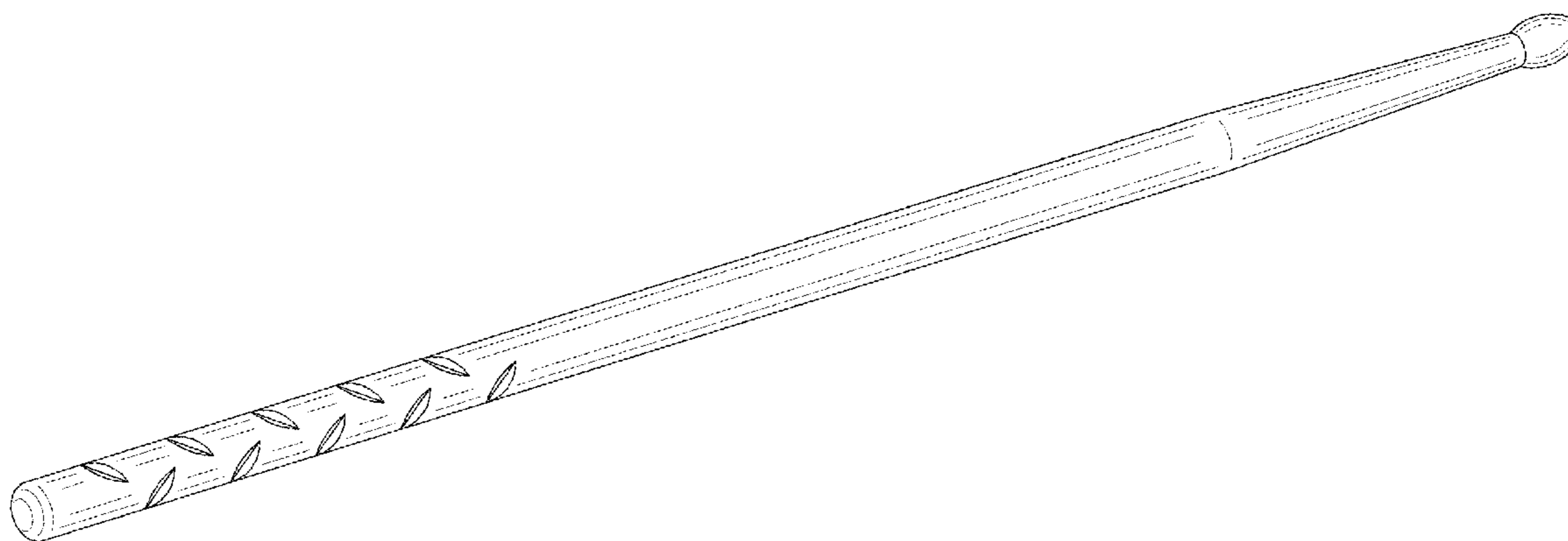
(57) **CLAIM**

The ornamental design for a drumstick, as shown and described.

**DESCRIPTION**

FIG. 1 is an isometric view of a drumstick.  
FIG. 2 is a bottom view of a drumstick.  
FIG. 3 is a top view of a drumstick.  
FIG. 4 is a left side view of a drumstick.  
FIG. 5 is a right side view of a drumstick.  
FIG. 6 is a front view of a drumstick; and,  
FIG. 7 is a back view of a drumstick.

**1 Claim, 2 Drawing Sheets**



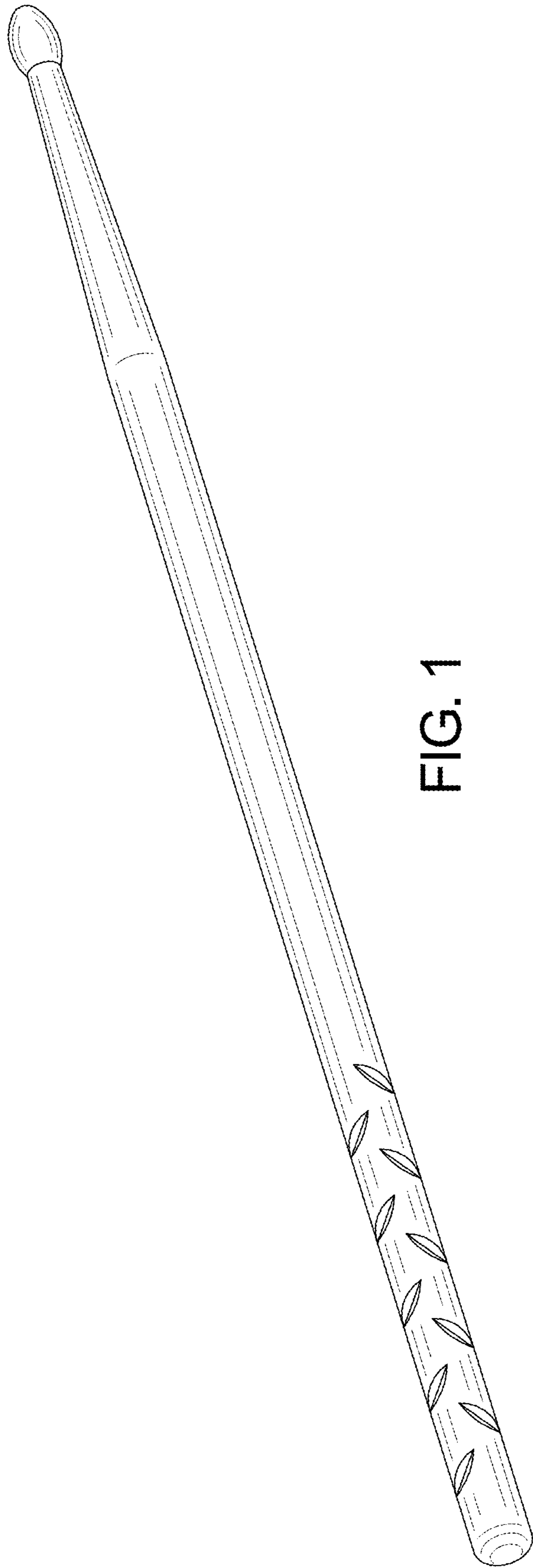


FIG. 1



FIG. 2



FIG. 3

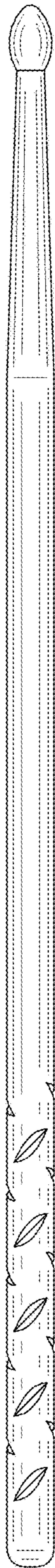


FIG. 4

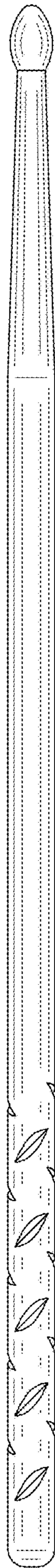


FIG. 5

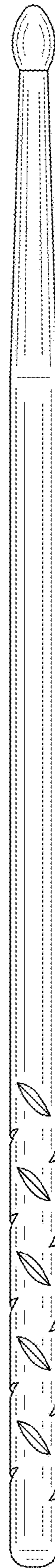


FIG. 6

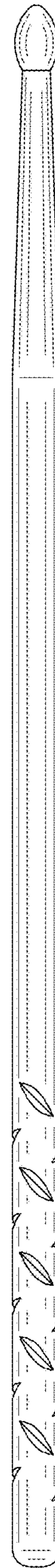


FIG. 7