



US00D802650S

(12) **United States Design Patent**
Hoshi

(10) **Patent No.:** **US D802,650 S**

(45) **Date of Patent:** **** Nov. 14, 2017**

(54) **REMOTE CONTROL FOR CAMERA**

(71) Applicant: **Nikon Corporation**, Tokyo (JP)

(72) Inventor: **Tomohiro Hoshi**, Tokyo (JP)

(73) Assignee: **Nikon Corporation**, Tokyo (JP)

(**) Term: **15 Years**

(21) Appl. No.: **29/569,090**

(22) Filed: **Jun. 23, 2016**

(30) **Foreign Application Priority Data**

Dec. 25, 2015 (JP) 2015-028965

(51) **LOC (10) Cl.** **16-05**

(52) **U.S. Cl.**
USPC **D16/237**; D14/218

(58) **Field of Classification Search**
USPC D16/208, 213–219, 235, 237–250;
D14/217, 218, 229, 250–253; D8/363,
D8/373, 394

CPC G03B 17/02–17/04; G03B 17/14; G03B
17/56; G03B 17/561–17/568; G03B
21/20; G02B 7/00–7/002; F16M 11/02;
F16M 11/04; F16M 11/20; F16M 11/40

See application file for complete search history.

(56) **References Cited**

U.S. PATENT DOCUMENTS

- D381,662 S * 7/1997 Weissberg D14/218
- D430,143 S * 8/2000 Renk D14/218
- D503,687 S * 4/2005 Hoffman D13/168
- D510,046 S * 9/2005 Li D10/106.1
- D513,611 S * 1/2006 Hibi D14/507
- D535,281 S * 1/2007 Yang D14/203.3
- D551,215 S * 9/2007 Lee, Jr. D14/218
- D563,906 S * 3/2008 Cheng D13/168
- D578,991 S * 10/2008 Donovan D14/155
- D584,316 S * 1/2009 Sheng D14/496
- D585,876 S * 2/2009 Griffin D14/218

- D588,155 S * 3/2009 Fullerton D14/496
- D626,935 S * 11/2010 Ohtani D14/192
- D633,478 S * 3/2011 Bolton D14/218
- D637,620 S * 5/2011 de Vilmorin D14/203.1
- D682,806 S * 5/2013 Smith D14/155

(Continued)

FOREIGN PATENT DOCUMENTS

JP 1493994 4/2014

OTHER PUBLICATIONS

ML-L6 Remote Control. [online] Published date unknown. Retrieved on Jun. 7, 2017 from <URL: <http://www.nikonusa.com/en/nikon-products/product/remote-transmitters/ml-l6-remote-control.html>>.*

(Continued)

Primary Examiner — Vy Koenig
Assistant Examiner — Omeed Agilee
(74) *Attorney, Agent, or Firm* — Wolf, Greenfield & Sacks, P.C.

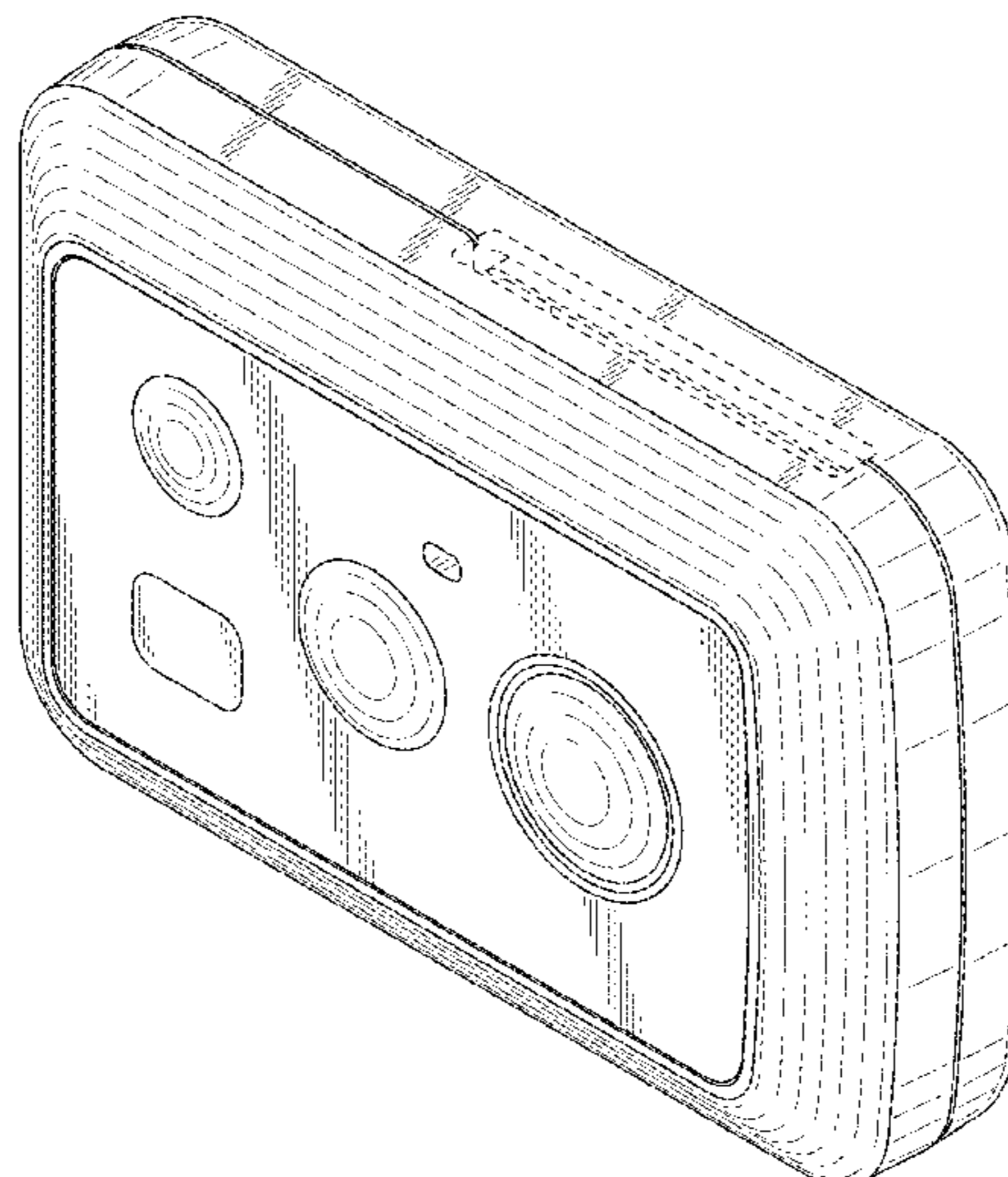
(57) **CLAIM**

The ornamental design for a remote control for camera, as shown and described.

DESCRIPTION

FIG. 1 is a front, top, and right side perspective view of a remote control for camera showing my new design; FIG. 2 is a rear, bottom, and left side perspective view thereof; FIG. 3 is a front view thereof; FIG. 4 is a rear view thereof; FIG. 5 is a top plan view thereof; FIG. 6 is a bottom plan view thereof; FIG. 7 is a right side view thereof; and, FIG. 8 is a left side view thereof. The broken lines illustrate portions of the remote control for camera that form no part of the claimed design.

1 Claim, 8 Drawing Sheets



(56)

References Cited

U.S. PATENT DOCUMENTS

D688,293 S * 8/2013 Chen D16/237
D719,534 S 12/2014 Woodman et al.
D740,793 S * 10/2015 Jobetto D14/225

OTHER PUBLICATIONS

Coosa WiFi Waterproof Smart Remote Control. [online] Published date unknown. Retrieved on Jun. 7, 2017 from <URL: <http://www.ebay.com/itm/332135273255?rmvSB=true>>.*

* cited by examiner

FIG. 1

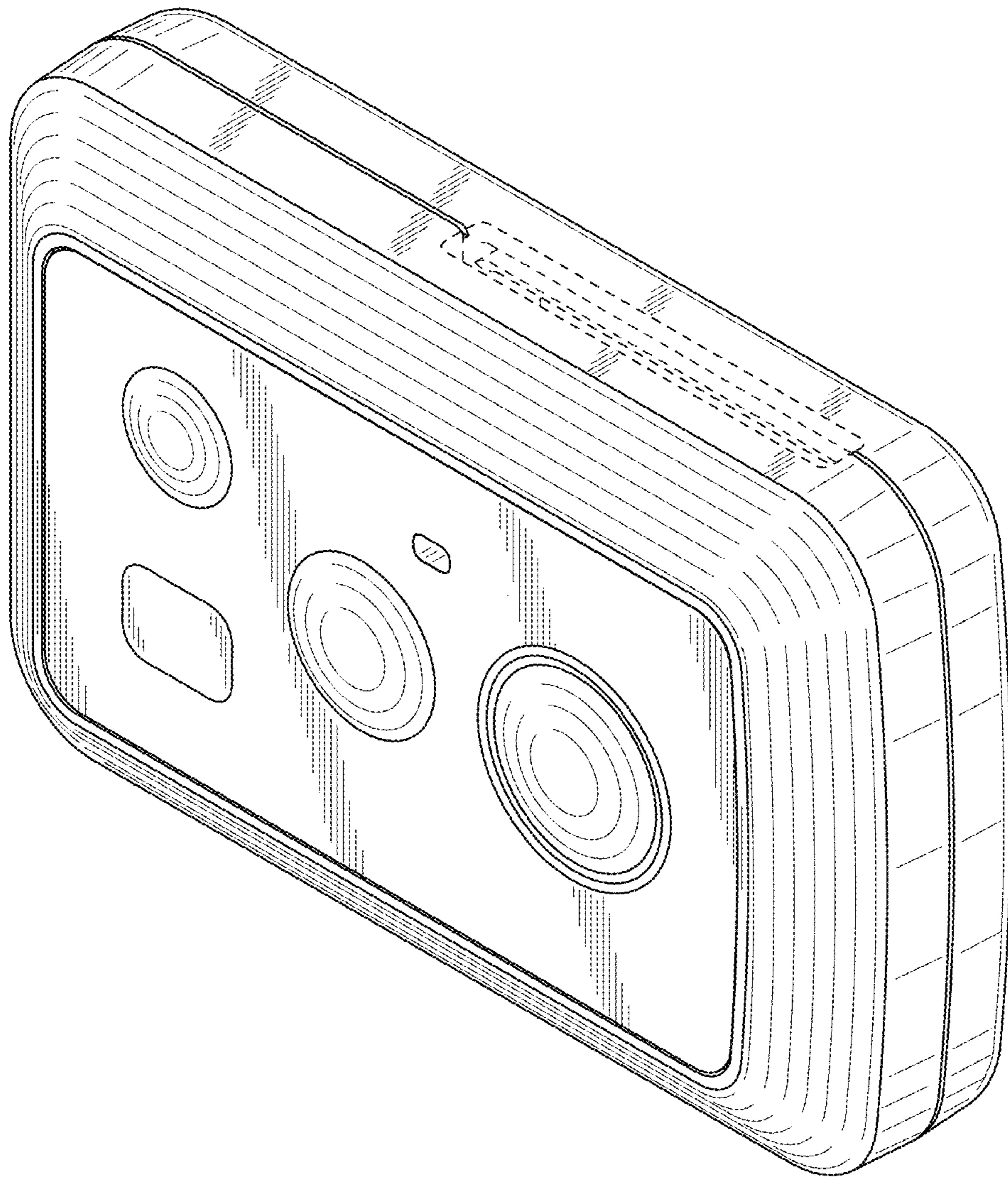


FIG. 2

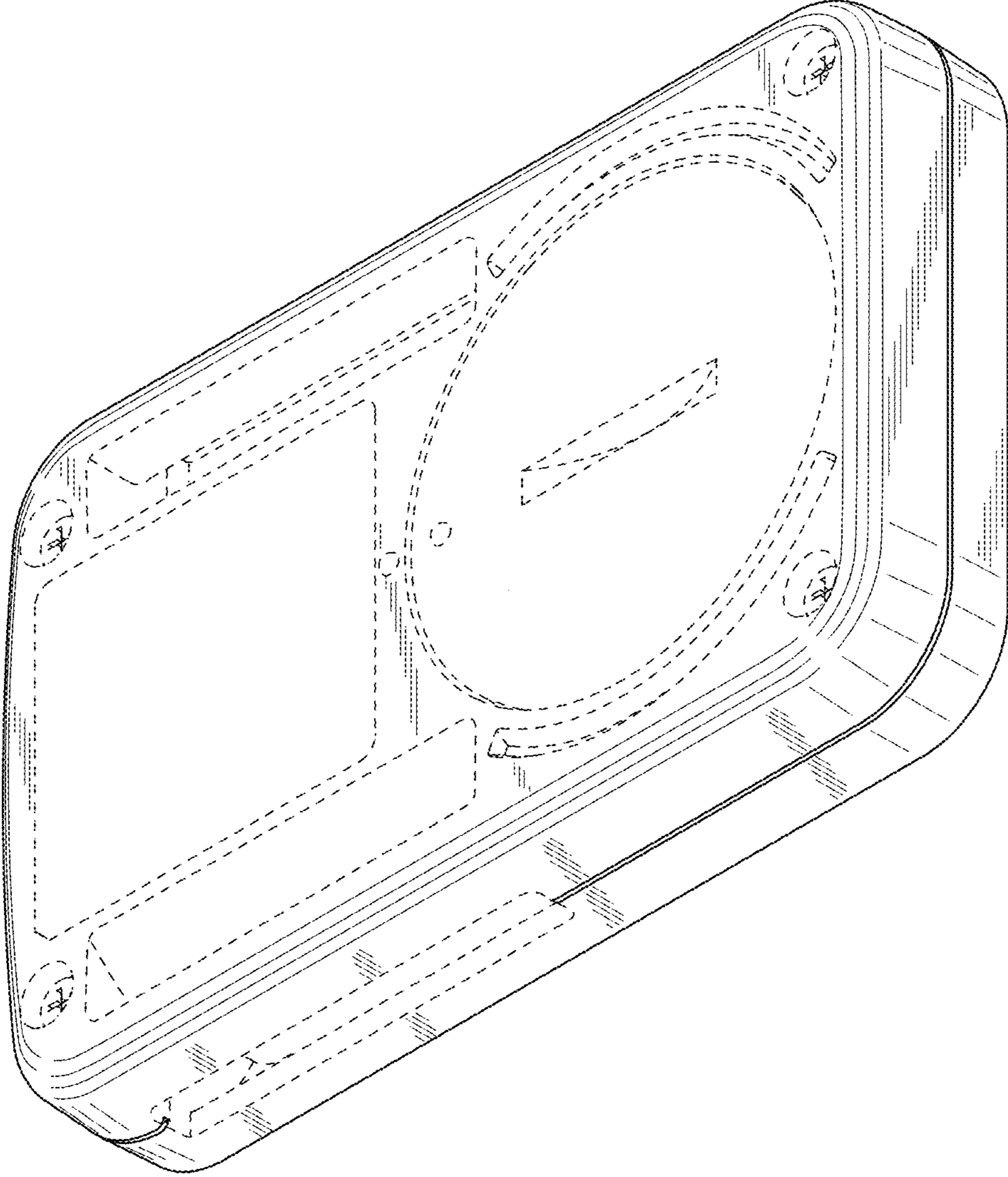


FIG. 3

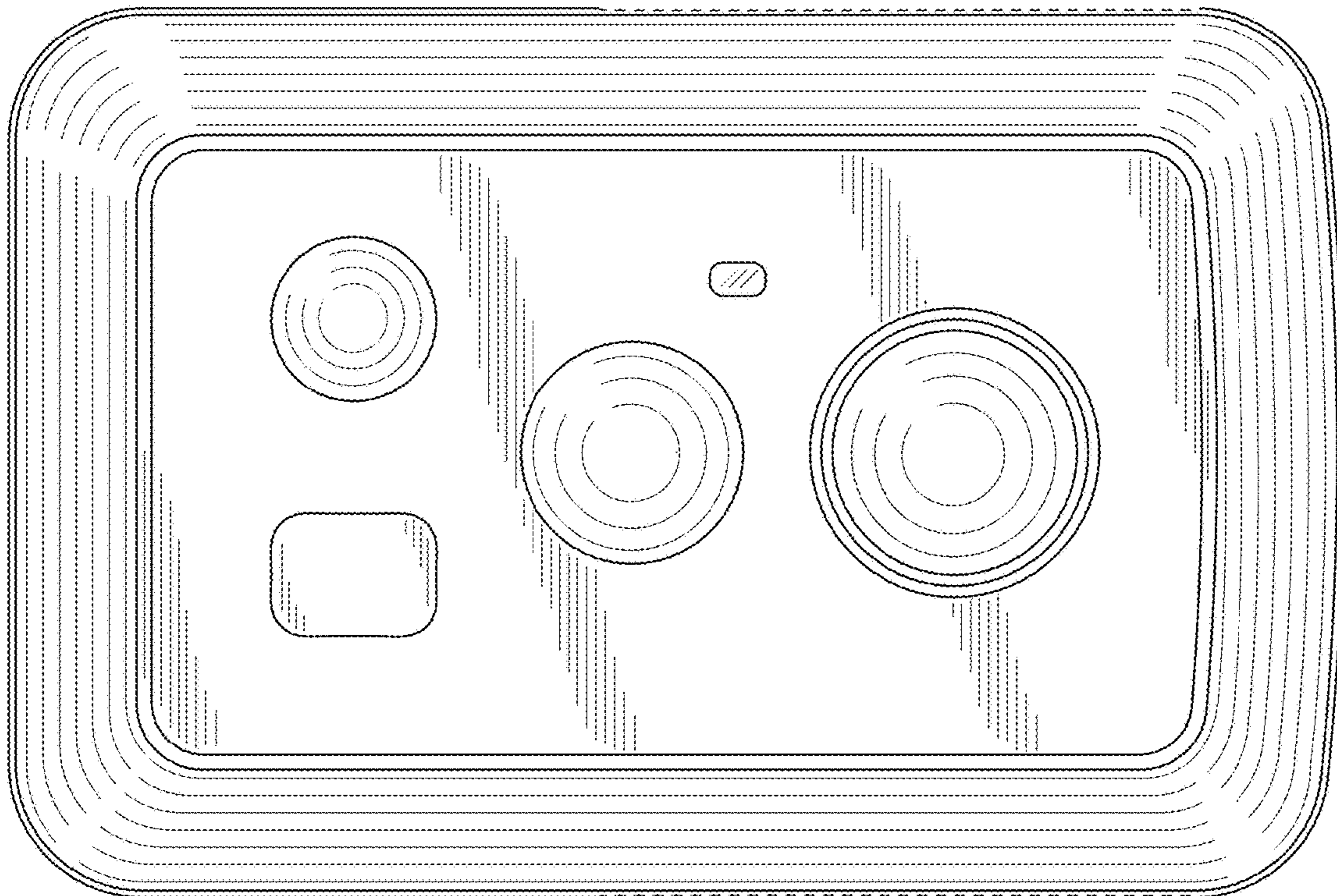


FIG. 4

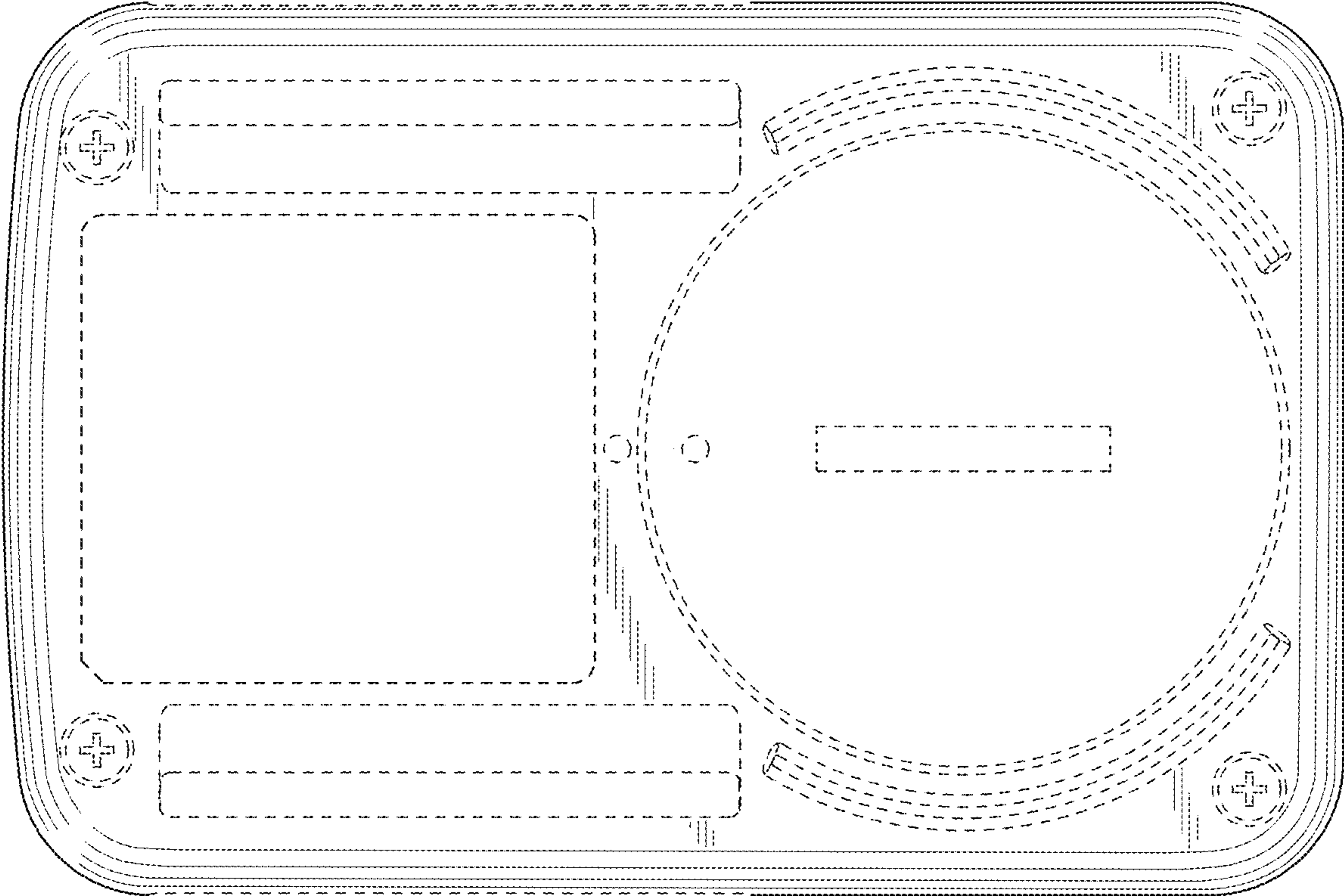


FIG. 5

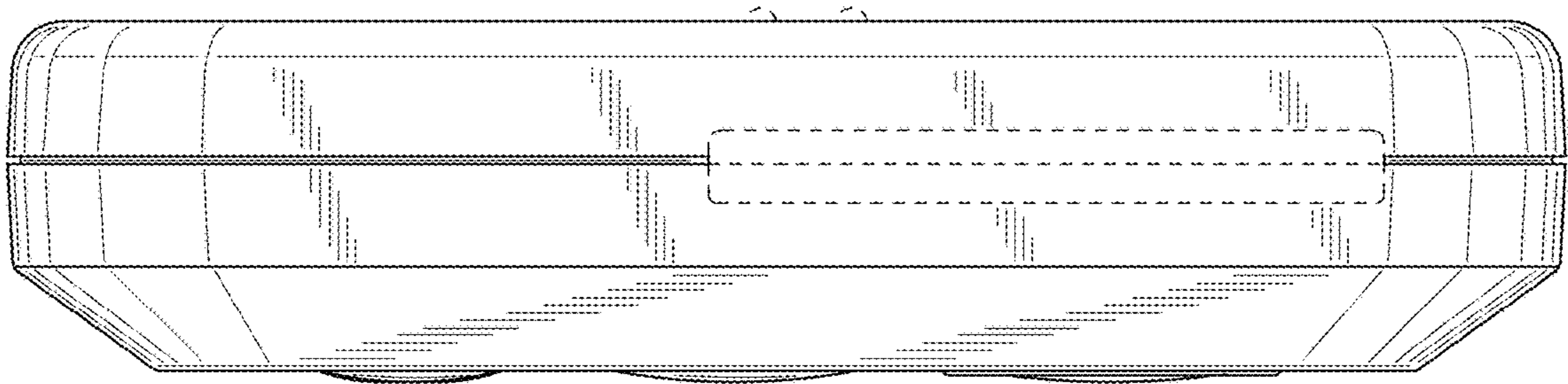


FIG. 6

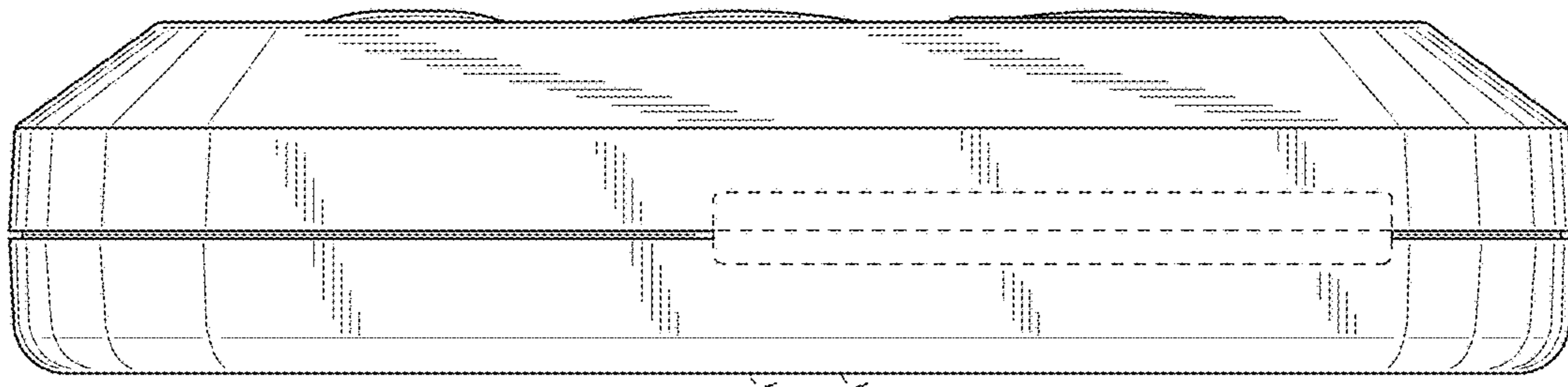


FIG. 7

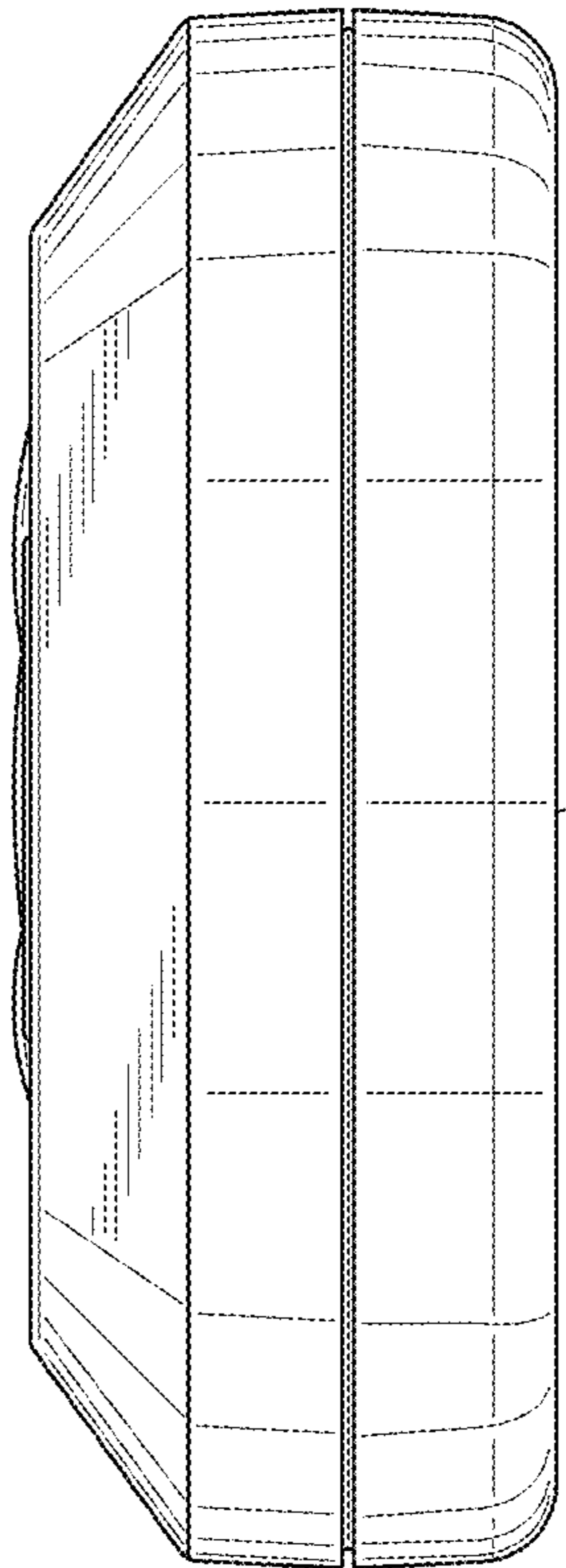


FIG. 8

