



US00D802647S

(12) **United States Design Patent** (10) **Patent No.:** **US D802,647 S**  
**Duffy et al.** (45) **Date of Patent:** **\*\* Nov. 14, 2017**

- (54) **CAMERA STAND**
- (71) Applicant: **GOOGLE INC.**, Mountain View, CA (US)
- (72) Inventors: **Gregory R. Duffy**, San Francisco, CA (US); **Melissa D. McLean**, Novato, CA (US); **Aamir S. Virani**, San Francisco, CA (US)
- (73) Assignee: **GOOGLE INC.**, Mountain View, CA (US)
- (\*\*) Term: **15 Years**
- (21) Appl. No.: **29/549,995**
- (22) Filed: **Dec. 29, 2015**

D349,914 S	8/1994	Usui
D357,267 S	4/1995	Yotsuya
D372,490 S	8/1996	Sheffield et al.
D385,571 S	10/1997	Abrams
5,862,428 A	1/1999	An
5,963,253 A	10/1999	Dwyer
5,978,028 A	11/1999	Yamane
D429,269 S	8/2000	Renkis
D429,743 S	8/2000	Renkis
6,141,052 A	10/2000	Fukumitsu et al.
6,147,701 A	11/2000	Tamura et al.
D442,202 S	5/2001	Pfeifer et al.
D445,123 S	7/2001	Shen
6,268,882 B1	7/2001	Elberbaum
D446,534 S	8/2001	Zimmer
D447,758 S	9/2001	Lin et al.
D449,630 S	10/2001	Rak et al.
D452,259 S	12/2001	Choi
6,357,936 B1	3/2002	Elberbaum
D455,164 S	4/2002	Tsang et al.
6,462,781 B1	10/2002	Arnold
D467,952 S	12/2002	Nakamura
D469,775 S	2/2003	Bradley
D470,874 S	2/2003	Chiu
D470,875 S	2/2003	Liao
6,515,275 B1	2/2003	Hunter
6,634,804 B1	10/2003	Toste et al.
6,650,694 B1	11/2003	Brown et al.
6,678,001 B1	1/2004	Elberbaum
6,714,236 B1	3/2004	Wada et al.
6,727,954 B1	4/2004	Okada et al.
D489,388 S *	5/2004	Saito ..... D16/200
6,762,790 B1	7/2004	Matko et al.
D511,352 S	11/2005	Oliver et al.
7,066,664 B1	6/2006	Sitoh et al.
7,076,162 B2	7/2006	Yamashita
D527,755 S	9/2006	Wu
7,151,565 B1	12/2006	Wada et al.
D534,938 S	1/2007	Beasley et al.
D537,097 S	2/2007	Freeman
D542,320 S	5/2007	Cheng
D552,649 S	10/2007	Logan et al.
D552,659 S	10/2007	Stephens et al.
D555,692 S	11/2007	Liu et al.
7,290,740 B2	11/2007	Joy et al.
D558,250 S	12/2007	Hsia
D563,446 S	3/2008	Stephens et al.
D575,316 S	8/2008	Liu et al.
7,443,446 B2	10/2008	Seo
7,552,340 B2	6/2009	Ooi et al.
7,586,537 B2	9/2009	Konishi et al.
D606,105 S	12/2009	Hinkel

**Related U.S. Application Data**

- (63) Continuation of application No. 14/701,283, filed on Apr. 30, 2015, which is a continuation of application No. 13/604,399, filed on Sep. 5, 2012, now Pat. No. 9,071,740.

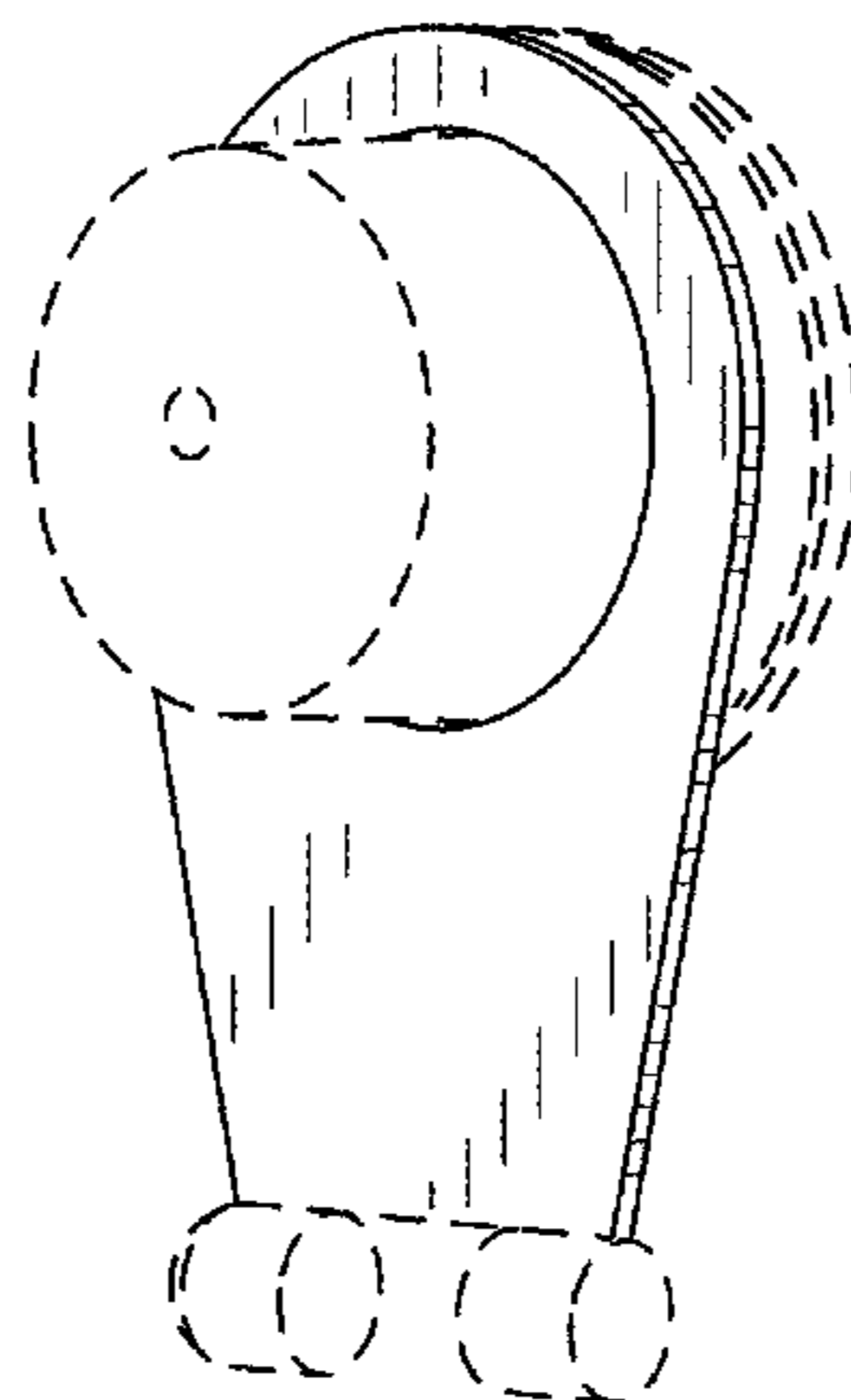
- (51) **LOC (10) Cl.** ..... **16-05**
- (52) **U.S. Cl.**  
USPC ..... **D16/219**

- (58) **Field of Classification Search**  
USPC ..... D16/200, 202-205, 208, 218, 219, 242;  
348/14.01-14.06, 143, 146, 148, 208.11,  
348/373-376; 396/427, 535, 539-541  
CPC ..... G03B 17/02; G03B 19/04; G03B 17/56;  
G03B 17/04; G03B 15/03; H04N 5/2251;  
H04N 5/2252; H04N 5/2253; H04N  
5/2254; H04N 5/23248; H04N 2007/145;  
H04N 7/141; H04N 7/142; H04N 7/147;  
H04N 7/148; H04N 7/15; H04N 7/152  
See application file for complete search history.

(56) **References Cited**

**U.S. PATENT DOCUMENTS**

- 2,997,935 A 8/1961 Scheffold
- 3,782,260 A 1/1974 Ettischer et al.





# US D802,647 S

7,646,425	B2 *	1/2010	Bohaker .....	H04N 1/00127 348/156	2008/0001547	A1	1/2008	Negru
D610,601	S	2/2010	Melder		2008/0005432	A1	1/2008	Kagawa
D614,223	S	4/2010	Kim et al.		2008/0056709	A1	3/2008	Huang et al.
D627,815	S	11/2010	Oba		2008/0074535	A1	3/2008	Ohsuga
D628,223	S	11/2010	Kao et al.		2008/0151052	A1	6/2008	Erel et al.
7,930,369	B2	4/2011	Marriott et al.		2008/0186150	A1	8/2008	Kao
D638,461	S	5/2011	Kim et al.		2008/0189352	A1	8/2008	Mitchell et al.
7,986,369	B1	7/2011	Burns		2008/0231699	A1	9/2008	Konishi et al.
D648,766	S	11/2011	Chen		2008/0291260	A1	11/2008	Dignan et al.
D651,229	S	12/2011	Tan et al.		2008/0309765	A1	12/2008	Dayan et al.
D651,230	S	12/2011	Tan et al.		2009/0019187	A1	1/2009	Okuma
8,072,536	B1	12/2011	Campbell		2009/0027570	A1	1/2009	Fujinawa
D651,633	S	1/2012	Park et al.		2009/0102715	A1	4/2009	Lou et al.
8,139,122	B2	3/2012	Rolston		2009/0141918	A1	6/2009	Chris et al.
D657,410	S	4/2012	Helaoui et al.		2009/0141939	A1	6/2009	Chambers et al.
8,165,146	B1	4/2012	Melick et al.		2009/0195655	A1	8/2009	Pandey
8,174,972	B2	5/2012	Cernius et al.		2009/0245268	A1	10/2009	Pugliese, IV
D678,929	S *	3/2013	Hancock .....	D16/202	2009/0248918	A1	10/2009	Diab et al.
8,402,145	B2	3/2013	Holden et al.		2009/0289921	A1	11/2009	Mickelson
D687,085	S	7/2013	Manson		2009/0296735	A1	12/2009	Cernius et al.
8,504,707	B2	8/2013	Toebe et al.		2009/0309969	A1	12/2009	Wendler
D694,305	S *	11/2013	Katori .....	D16/203	2010/0026811	A1	2/2010	Palmer
D697,119	S	1/2014	Park et al.		2010/0039253	A1	2/2010	Zang et al.
8,625,024	B2	1/2014	Hsu		2010/0076600	A1	3/2010	Cross et al.
D700,232	S	2/2014	Ramsay et al.		2010/0085749	A1	4/2010	Bezgachev et al.
D719,205	S *	12/2014	Matsumoto .....	D16/202	2010/0109878	A1	5/2010	Desrosiers
D729,296	S *	5/2015	Shelton .....	D16/202	2010/0180012	A1	7/2010	Heo et al.
D730,422	S *	5/2015	Kim .....	D16/218	2010/0199157	A1	8/2010	Takaoka et al.
D733,781	S	7/2015	Chen		2010/0271503	A1	10/2010	Safae-Rad et al.
D734,801	S *	7/2015	Yang .....	D16/202	2010/0306399	A1	12/2010	Khosravi et al.
9,102,055	B1	8/2015	Konolige et al.		2010/0314508	A1	12/2010	Bevirt et al.
D740,871	S *	10/2015	Moon .....	D16/203	2010/0328475	A1	12/2010	Thomas et al.
D742,954	S *	11/2015	Simonelli .....	D16/203	2011/0007159	A1	1/2011	Camp et al.
D743,465	S *	11/2015	Aglassinger .....	D16/203	2011/0102438	A1	5/2011	Mathe et al.
D745,916	S *	12/2015	Oh .....	D16/134	2011/0102588	A1	5/2011	Trundle et al.
D746,350	S	12/2015	Li		2011/0134313	A1	6/2011	Kato
D748,709	S *	2/2016	Jeong .....	D16/202	2011/0158637	A1	6/2011	Jung et al.
D755,880	S	5/2016	Luo et al.		2011/0161076	A1	6/2011	Davis et al.
9,330,307	B2	5/2016	Litvak et al.		2011/0193964	A1	8/2011	McLeod
2002/0003575	A1	1/2002	Marchese		2011/0193967	A1	8/2011	Matsumoto et al.
2002/0107591	A1	8/2002	Gabai et al.		2011/0205965	A1	8/2011	Sprigg et al.
2002/0141418	A1	10/2002	Ben-Dor et al.		2011/0231903	A1	9/2011	Springer
2002/0186317	A1	12/2002	Kayanuma		2011/0234803	A1	9/2011	Nakajima et al.
2002/0191082	A1	12/2002	Fujino et al.		2011/0267492	A1	11/2011	Prentice et al.
2003/0164881	A1	9/2003	Ohe et al.		2011/0285813	A1	11/2011	Girdzijauskas et al.
2003/0169354	A1	9/2003	Aotsuka		2011/0293137	A1	12/2011	Gurman et al.
2003/0193409	A1	10/2003	Crank		2011/0299728	A1	12/2011	Markovic et al.
2003/0216151	A1	11/2003	Kitano et al.		2012/0081009	A1	4/2012	Shteynberg
2004/0132489	A1	7/2004	Ryley et al.		2012/0105632	A1	5/2012	Renkis
2004/0211868	A1	10/2004	Holmes et al.		2012/0127270	A1	5/2012	Zhang et al.
2004/0247203	A1	12/2004	Dell'Eva		2012/0140068	A1	6/2012	Monroe et al.
2005/0062720	A1	3/2005	Rotzoll et al.		2012/0162416	A1	6/2012	Su et al.
2005/0128336	A1	6/2005	Toledano et al.		2012/0194650	A1	8/2012	Izadi et al.
2005/0149213	A1	7/2005	Guzak et al.		2012/0236373	A1	9/2012	Oyama
2005/0151042	A1	7/2005	Watson		2012/0246359	A1	9/2012	Scragg et al.
2005/0200751	A1	9/2005	Weaver		2012/0262575	A1	10/2012	Champagne et al.
2005/0212958	A1	9/2005	Su et al.		2012/0263450	A1	10/2012	Totani
2005/0227217	A1	10/2005	Wilson		2013/0053657	A1	2/2013	Ziarno et al.
2005/0230583	A1	10/2005	Wu		2013/0156260	A1	6/2013	Craig
2005/0237425	A1	10/2005	Lee et al.		2013/0162629	A1	6/2013	Huang et al.
2005/0243022	A1	11/2005	Negru		2013/0314544	A1	11/2013	Ban
2005/0243199	A1	11/2005	Bohaker et al.		2013/0321564	A1	12/2013	Smith et al.
2005/0275723	A1	12/2005	Sablak et al.		2013/0342653	A1	12/2013	McCloskey
2006/0017842	A1	1/2006	Jun		2014/0032796	A1	1/2014	Krause
2006/0024046	A1	2/2006	Jones et al.		2014/0047143	A1	2/2014	Bateman et al.
2006/0086871	A1	4/2006	Joseph et al.		2014/0049609	A1	2/2014	Wilson
2006/0109375	A1	5/2006	Ho et al.		2014/0119604	A1	5/2014	Mai et al.
2006/0109613	A1	5/2006	Chen		2014/0168421	A1	6/2014	Xu et al.
2006/0123129	A1	6/2006	Toebe et al.		2014/0241387	A1	8/2014	Ortiz
2006/0123166	A1	6/2006	Toebe et al.		2014/0270387	A1	9/2014	Hoof et al.
2006/0210259	A1	9/2006	Matsumoto		2014/0333726	A1	11/2014	Tokui et al.
2006/0262194	A1	11/2006	Swain		2014/0375635	A1	12/2014	Johnson et al.
2006/0282866	A1	12/2006	Kuo		2015/0052029	A1	2/2015	Wu et al.
2007/0001087	A1	1/2007	Shyu et al.		2015/0120389	A1	4/2015	Zhang et al.
2007/0011375	A1	1/2007	Kumar		2015/0154467	A1	6/2015	Feng et al.
2007/0036539	A1	2/2007	Martinez et al.		2015/0170371	A1	6/2015	Muninder et al.
2007/0083791	A1	4/2007	Panesar et al.		2015/0181198	A1	6/2015	Baele et al.
2007/0222888	A1	9/2007	Ziao et al.		2015/0228114	A1	8/2015	Shapira et al.
					2016/0012588	A1	1/2016	Taguchi et al.



2016/0022181 A1 1/2016 Valsan et al.  
 2016/0029102 A1 1/2016 Daily  
 2016/0094763 A1 3/2016 Patel  
 2016/0094829 A1 3/2016 Georgiev et al.  
 2016/0261829 A1 9/2016 Olsson et al.

## OTHER PUBLICATIONS

FabulaTech, What is USB for Remote Desktop, Dec. 12, 2011, 2 pgs, <http://web.archive.org/web/20111212070644/http://www.usb-over-network.com/usb-for-remote-desktop.html>.

FabulaTech, What is USB over Network, Dec. 17, 2011, 2 pgs, <http://web.archive.org/web/20111217080253/http://www.usb-over-network.com/usb-over-network.html>.

Parent, Android USB Port Forwarding, Dec. 26, 2011, 7 pgs, <http://www.codeproject.com/Articles/191930/Android-Usb-Port-Forwarding>.

Silberman, Indoor Segmentation and Support Inference from RGBD Images, Computer Vision—ECCV 2012, Springer Berlin Heidelberg, Oct. 2012, pp. 746-780.

USB/IP Project, USB Request Over IP Network, Dec. 27, 2011, 5 pgs, <http://web.archive.org/web/20111227171215/http://usbip.sourceforge.net/>.

Hampapur, Smart surveillance: applications, technologies and implications, Information Communications and Signal Processing 2, 2003, pp. 1133-1138.

KYO-TUX, IconArchive, Device WebCam Icon, Phuzion Iconset, Dec. 15, 2015, 3 pgs.

Drivers—Video Cam: Download Drivers for (Genius VideoCAM NB) Visual/Video Camera, Computer Question Help, Dec. 15, 2015, 2 pgs.

TechAllianz, How to Pick the Right Webcam, Satyakam, Jan. 22, 2013, 4 pgs.

Input Devices on Pinterest, Computers, Mice and Apples, Tanna Darty, Dec. 15, 2015, 1 pg.

Logi Circle: Portable Home Surveillance Camera from Logitech (video), AppleApple.Top World News, Feb. 10, 2015, 5 pgs.

Ebay, New Smallest Mini Camera Camcorder Video Recorder DVR Spy Hidden Pinhole Web Cam, Dec. 2, 2015, 4 pgs.

SIV AI-Ball Very Small Hidden IP Network Camera Battery Powered Wireless IP Camera, Alibaba.com, 1999-2015, 7 pgs.

Trek Ai-Ball Mini WiFi Spy Cam IP Wireless Camera for Iphone / Android /Ipad, Tmart, [www.tmart.com](http://www.tmart.com), Dec. 18, 2015, 6 pgs.

Restore.Solutions, Numus Software, USB/VID, Syntek Web Cam Device Drivers, Dec. 15, 2015, 10 pgs.

Ebay, Belkin F7D7601AU, Net Cam IP WIFI Baby Pet Monitor Camera Security Night Vision, Dec. 15, 2015, 5 pgs.

John Lewis, Samsung SEB-1019RW Add-On Night Vision Baby Monitor Camera, Dec. 15, 2015, 2 pgs.

Ion Camera, The Home Pro Wi-Fi Wireless Cloud Video Monitoring Security Camera (Black): Camera & Photo, Dec. 15, 2015, 6 pgs.

Linksys Wireless-N Internet Home Monitoring Camera: Home Security Systems: Camera & Photo, Amazon.com, Dec. 15, 2015, 7 pgs.

Ebay, Motorola, MBP421 Digital Video & Sound Rechargeable Baby Monitor 1.8" LCD Screen, Dec. 15, 2015, 5 pgs.

720p TF Card IP Wireless Camera Indoor Built-In Microphone Support Two Way Intercom for Smart Home Life and Unique PIR Alarm, Dec. 18, 2015, 3 pgs.

0308 Brand USB 2.0 HD Night Vision Webcam Web Cam Camera Webcamera With Microphone Sucker Stand for PC Computer Laptop Notebook, Dec. 18, 2015, 13 pgs.

Goods in Stock PC Camera USB Plug and Play Free Driver Digital Webcam Stand Web Camera, Dec. 18, 2015, 12 pgs.

Buy SVB Ladybird Tripod Webcam 4 Mega Pixel—4 Megapixel Web Cam Online, Best Prices in India: Rediff Shopping, Dec. 16, 2015, 3 pgs.

Ebay, Lot of 2 USB WebCam Web Cam Camera Logitech Quickcam HP Hewlett Packard, Dec. 16, 2015, 3 pgs.

Mini Universal Tripod Stand for Digital Camera and Webcam A33-in Tripods from Consumer Electronics on Aliexpress.com, Alibaba Group, Store: Angel One-Stop Shopping Center, Dec. 16, 2015, 3 pgs.

Tripod Support for a QuickCam (or other webcam), Instructables, 2015, 3 pgs.

Web Camera 6 Stock Photo, Dreamstime, Dec. 16, 2015, 2 pgs.

Joel Johnson, Glowdoodle Turns Your Crappy Webcam in a Crappier Webcam (in a good way), webcam—Boing Boing, Dec. 16, 2015, 8 pgs.

Drivers—Video Cam: Download Drivers for (Genius VideoCAM NB) Visual/Video Camera, Computer Question Help, Jul. 3, 2008, 2 pgs.

KYO-TUX, IconArchive, Device WebCam Icon, Phuzion Iconset, Jun. 8, 2010, 3 pgs.

Restore.Solutions, Numus Software, USB/VID, Syntek Web Cam Device Drivers, Dec. 12, 2015, 10 pgs.

Adipranata, Fast method for multiple human face segmentation in color image, 2008 Second Int'l Conference on Future Generation Communication and Networking, IEEE, 2008, 4 pgs.

Heo, Fusion of visual and thermal face recognition techniques: A comparative study. Univ. of Tennessee, Knoxville, TN, 2003, 75 pgs.

\* cited by examiner

*Primary Examiner* — Philip S Hyder

*Assistant Examiner* — Ramzi Almatrahi

(74) *Attorney, Agent, or Firm* — Morgan, Lewis & Bockius LLP

(57)

## CLAIM

The ornamental design for a camera stand, as shown and described.

## DESCRIPTION

The present application is also related to U.S. patent application Ser. No. 29/549,992, filed on Dec. 29, 2015, titled "A Video Camera," and U.S. patent Application Ser. No. 29/549,999, filed on Dec. 29, 2015, titled "An Assembly," each of which is hereby incorporated by reference in its entirety.

FIG. 1 shows a front perspective view of a camera stand showing our new design with a camera module in broken lines to illustrate an environment.

FIG. 2 shows a front elevation view of the camera stand shown in FIG. 1.

FIG. 3 shows a rear elevation view of the camera stand shown in FIG. 1.

FIG. 4 shows a left side view of the camera stand shown in FIG. 1.

FIG. 5 shows a top plan view of the camera stand shown in FIG. 1.

FIG. 6 shows a bottom plan view of the camera stand shown in FIG. 1.

FIG. 7 shows a front perspective view of a camera stand, shown with a camera module and a base disclosed in broken lines to illustrate an environment.

FIG. 8 shows a front elevation view of the camera stand shown in FIG. 7.

FIG. 9 shows a rear elevation view of the camera stand shown in FIG. 7.

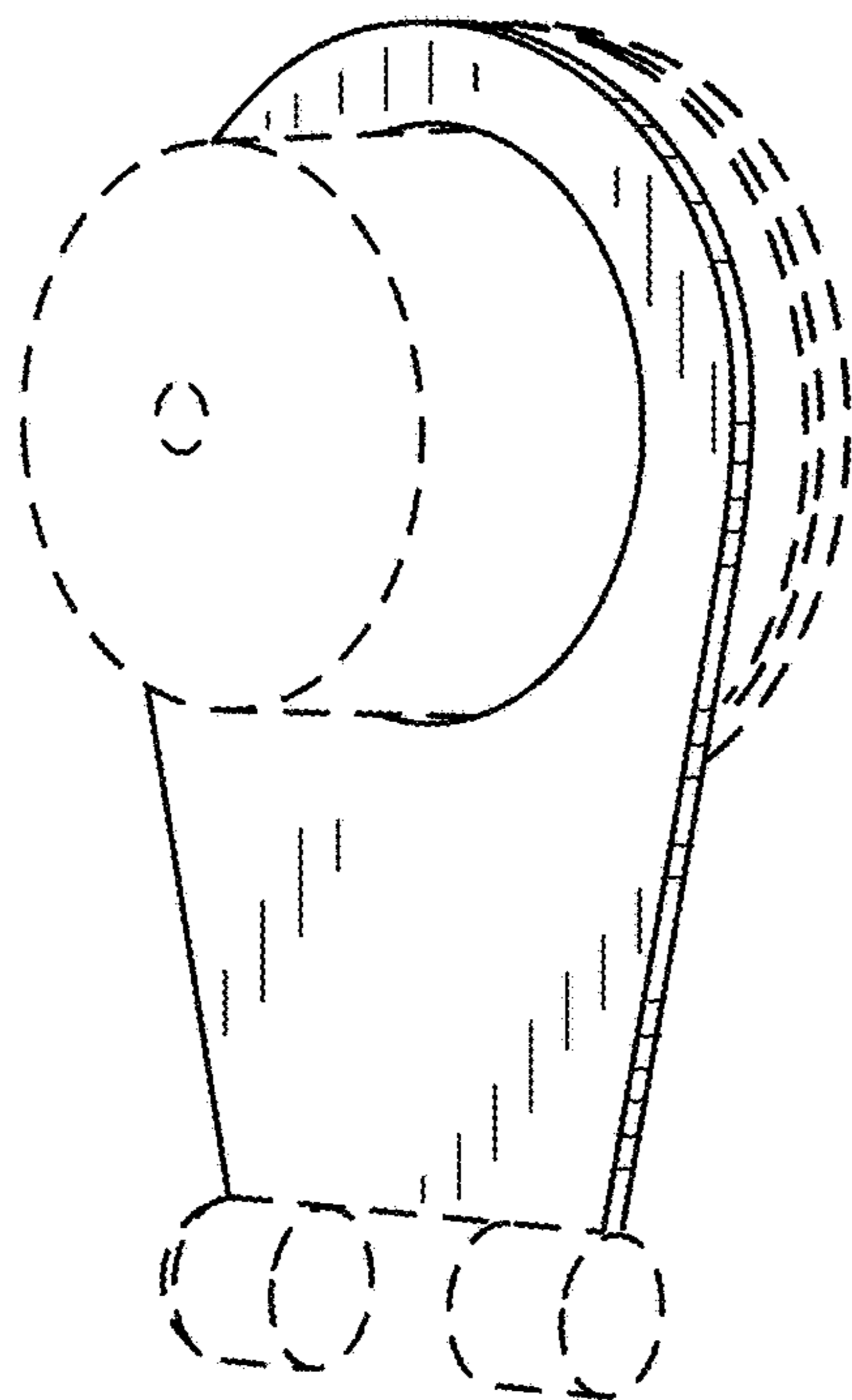
FIG. 10 shows a left side view of the camera stand shown in FIG. 7.

FIG. 11 shows a top plan view of the camera stand shown in FIG. 7; and,

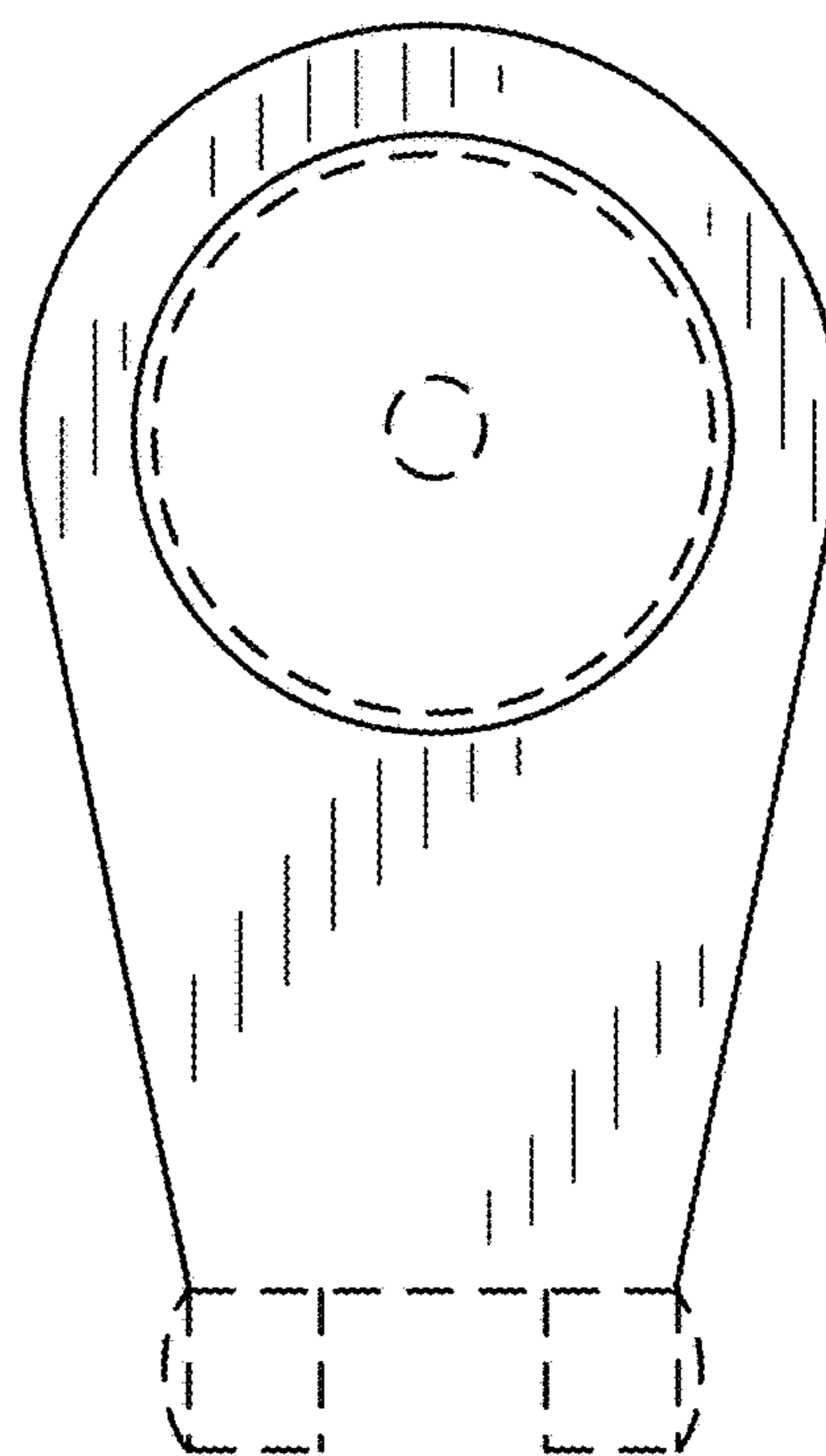
FIG. 12 shows a bottom plan view of the camera stand shown in FIG. 7.

The broken lines in the drawings are included for the purpose of illustrating environmental subject matter that form no part of the claimed design.

**1 Claim, 6 Drawing Sheets**



**FIG. 1**



**FIG. 2**

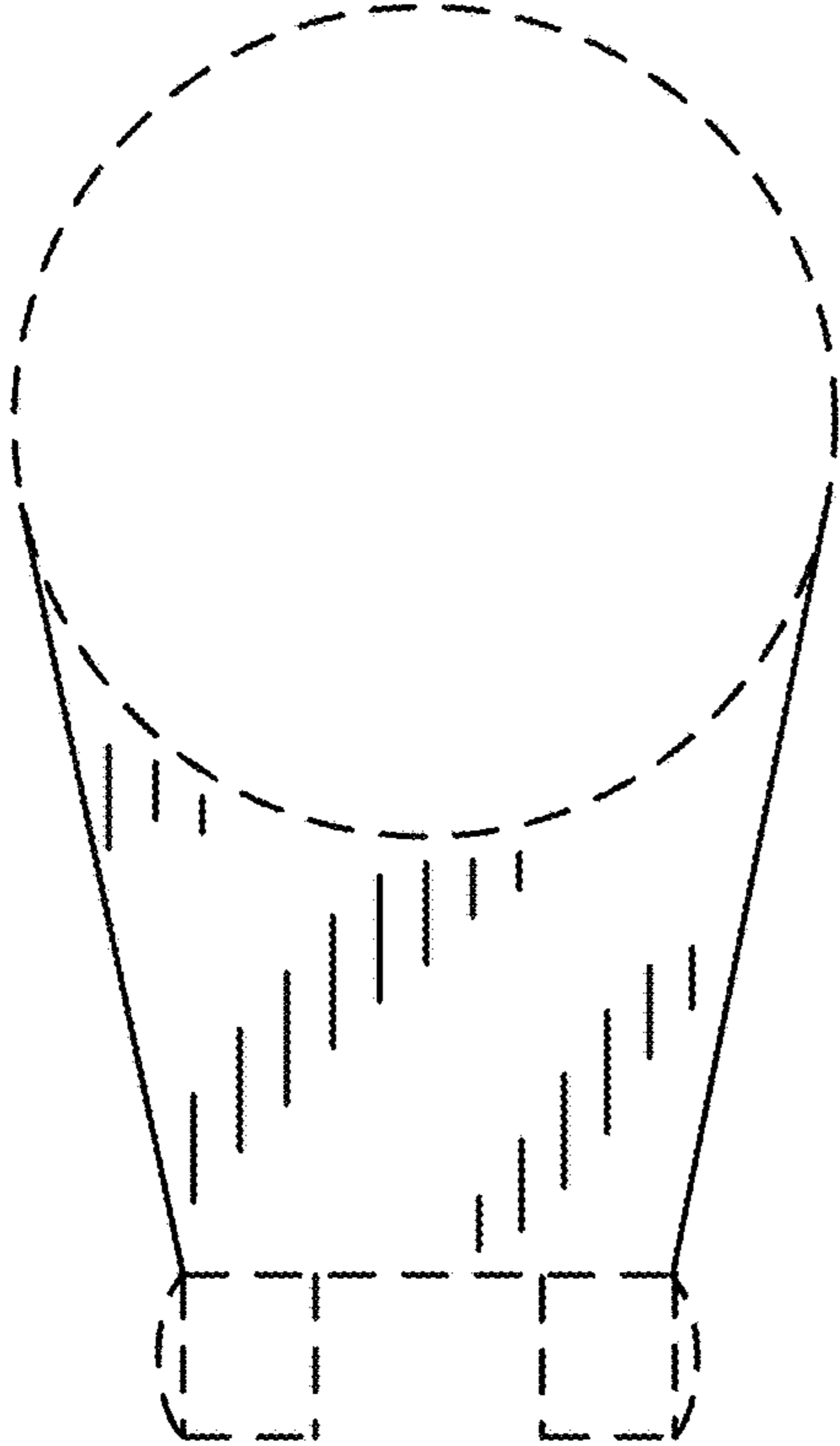


FIG. 3

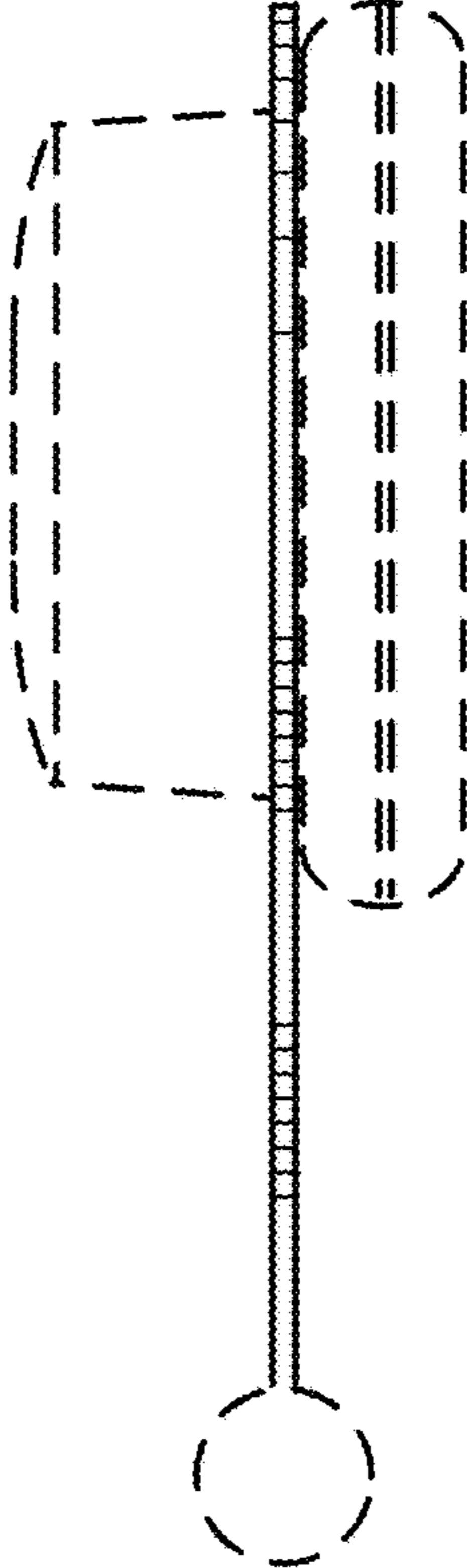


FIG. 4

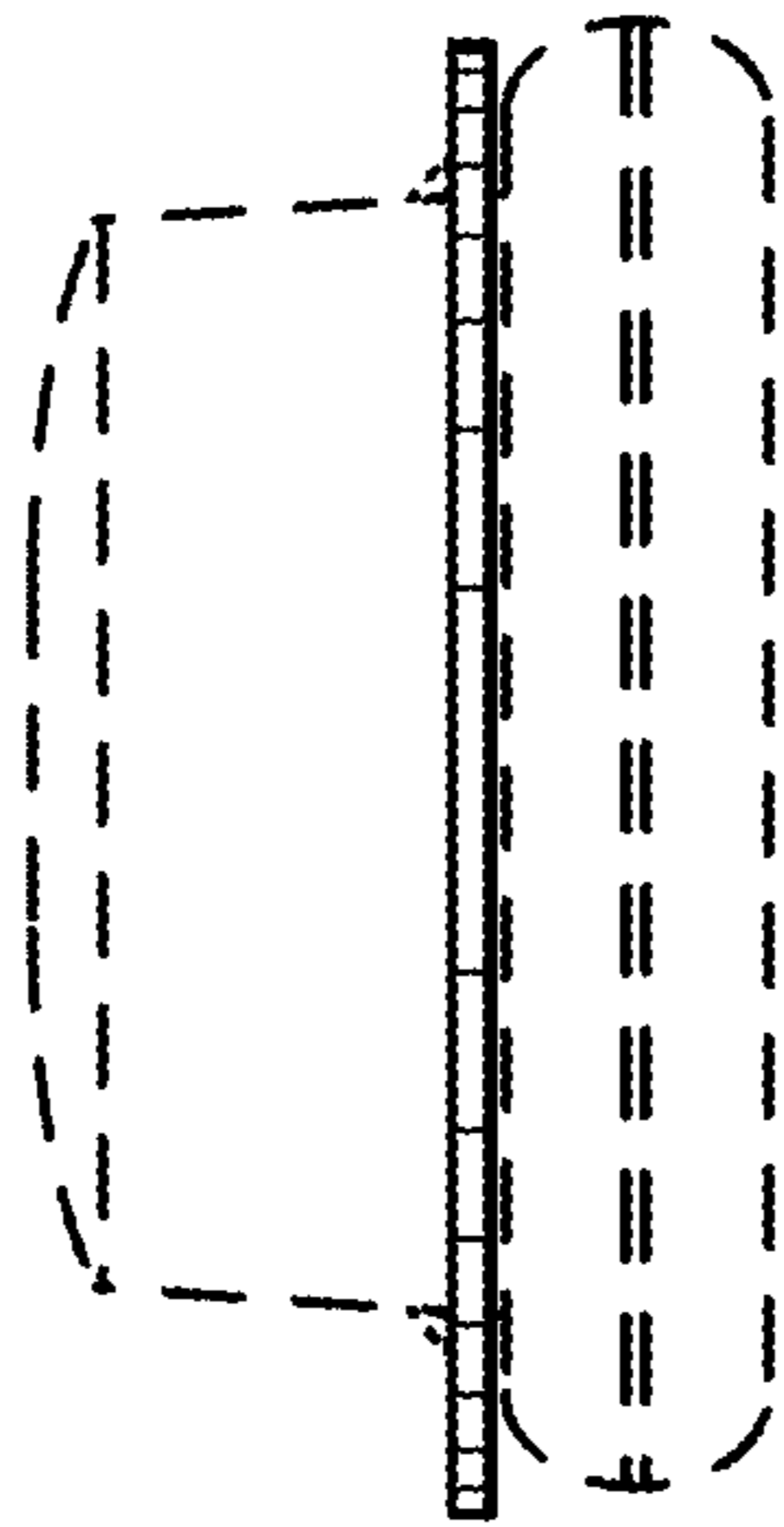


FIG. 5

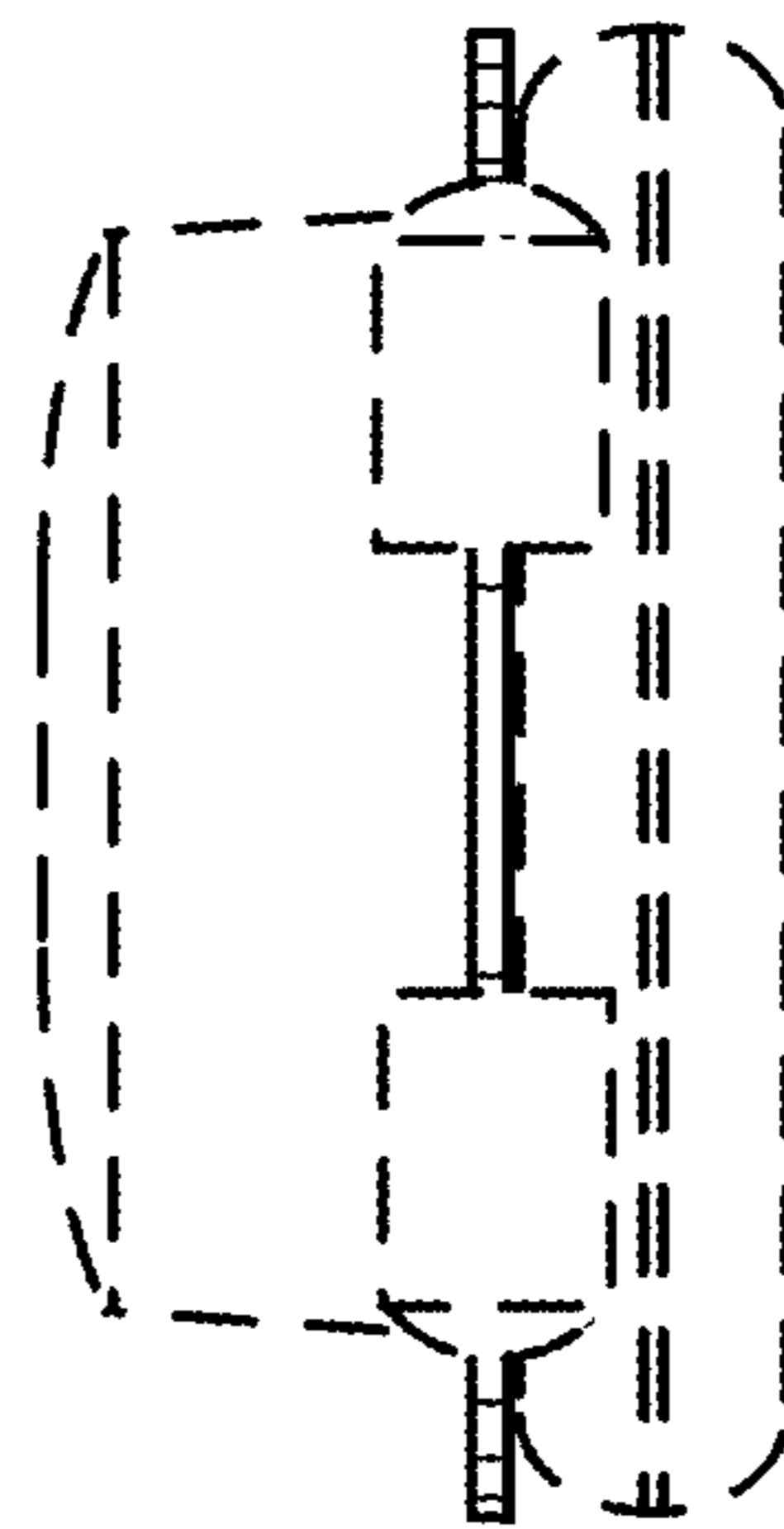


FIG. 6



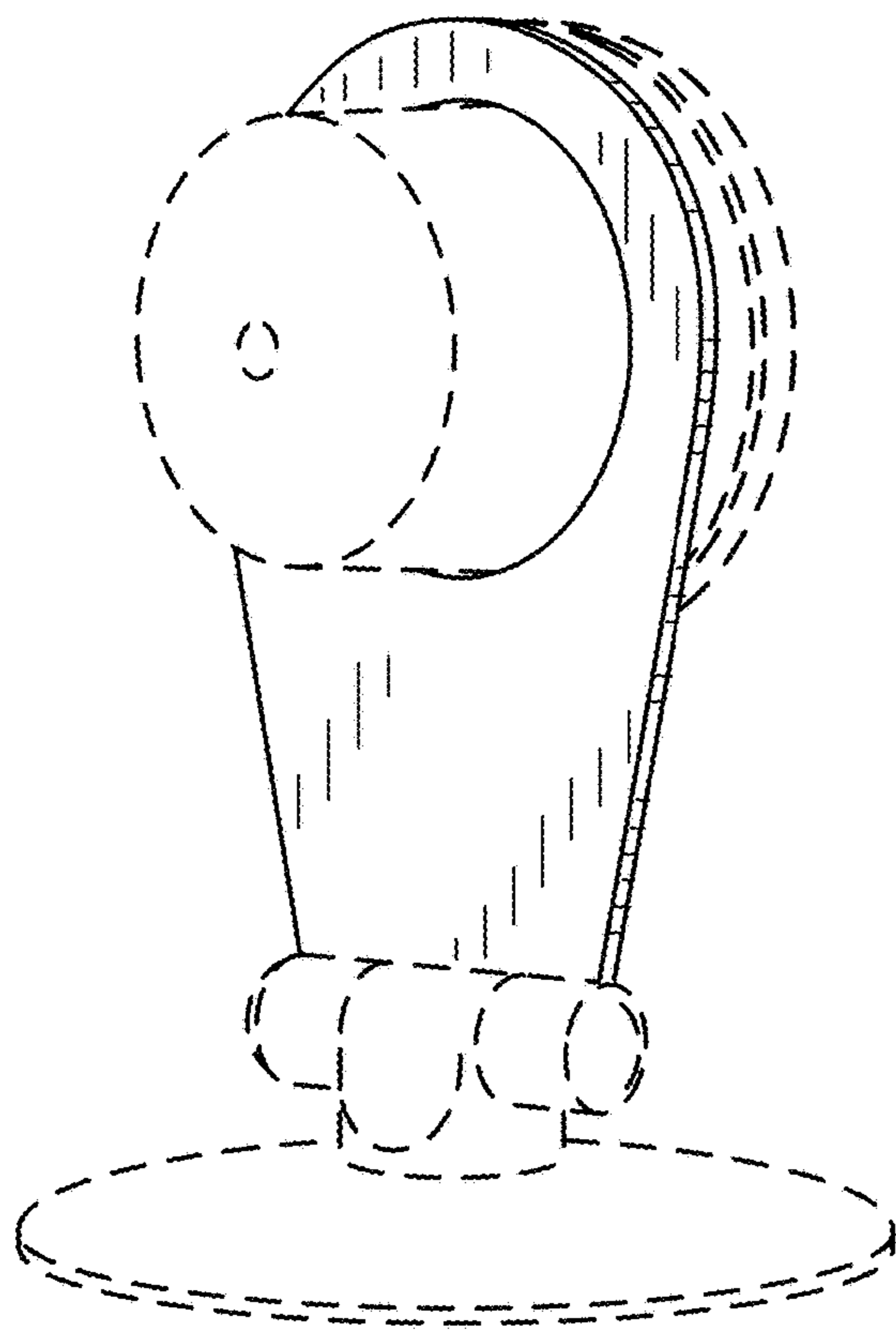


FIG. 7

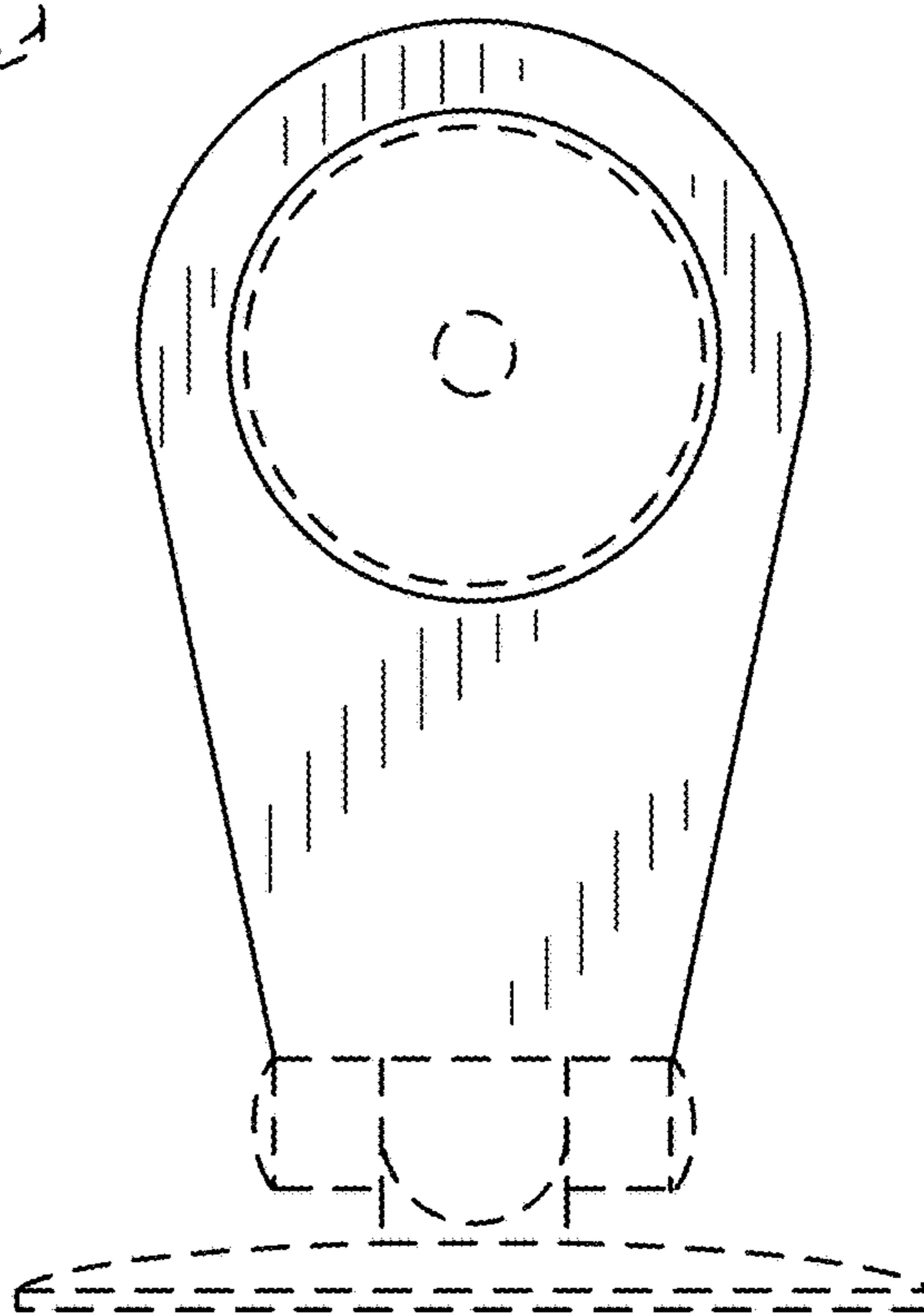


FIG. 8



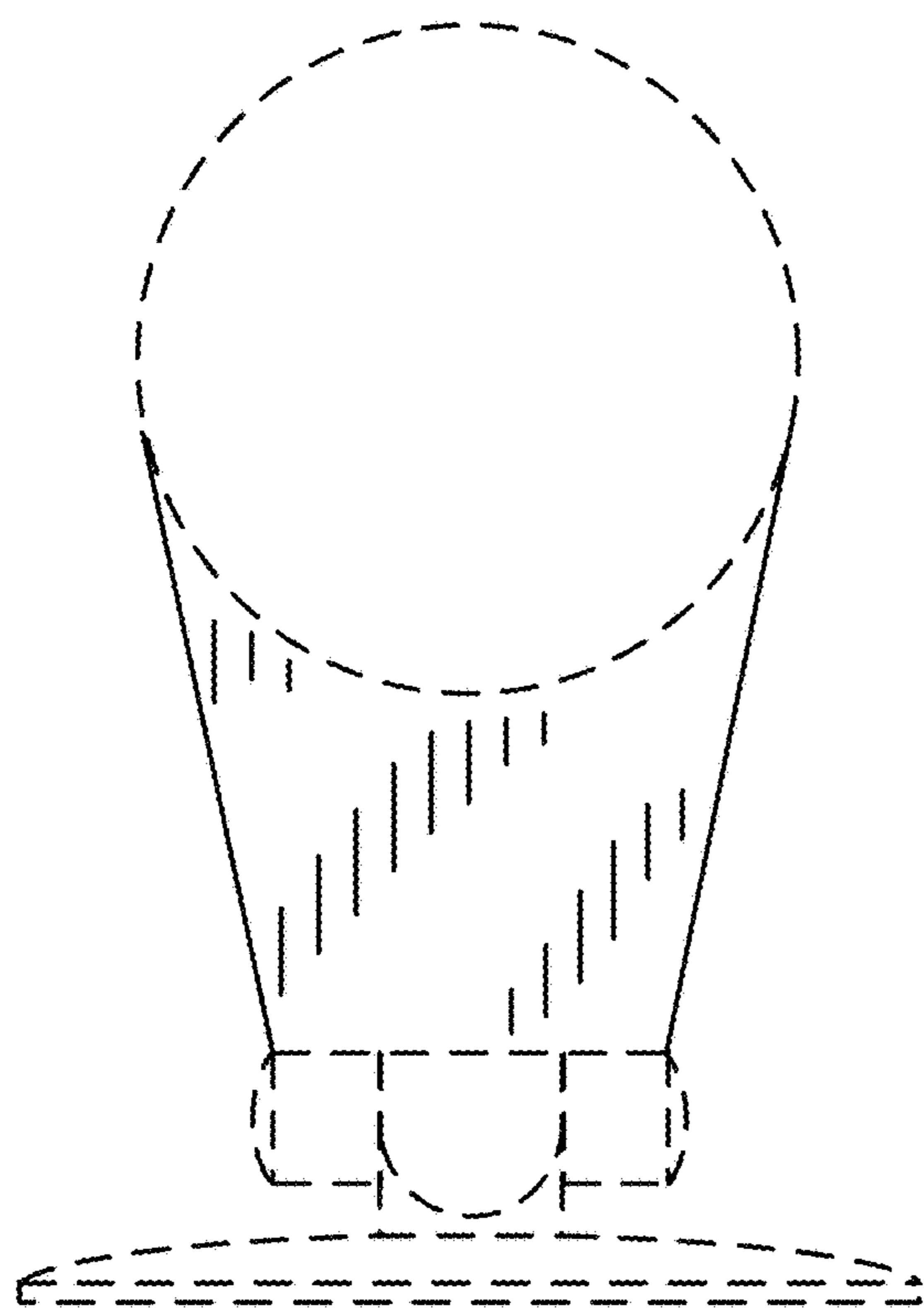


FIG. 9

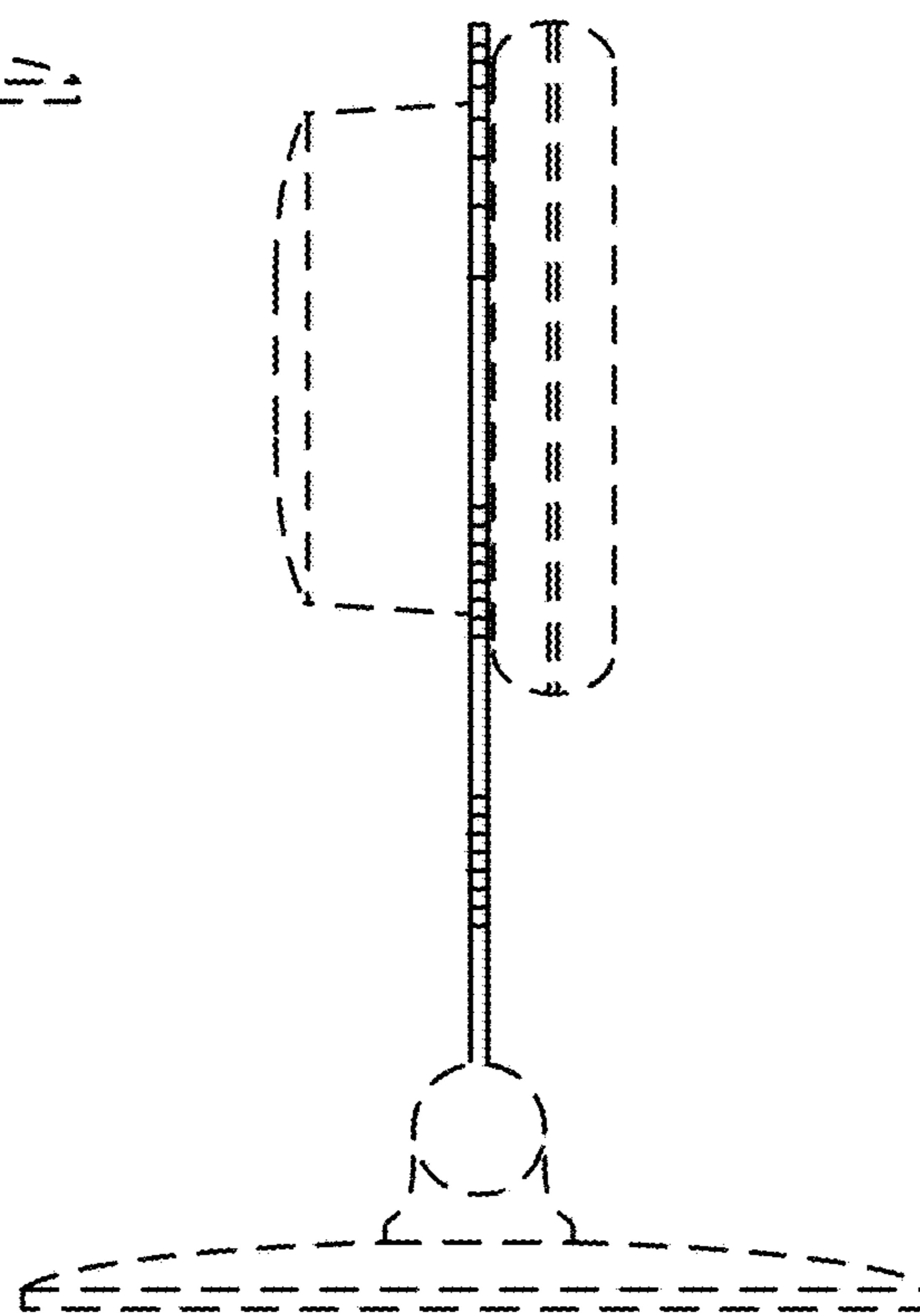


FIG. 10

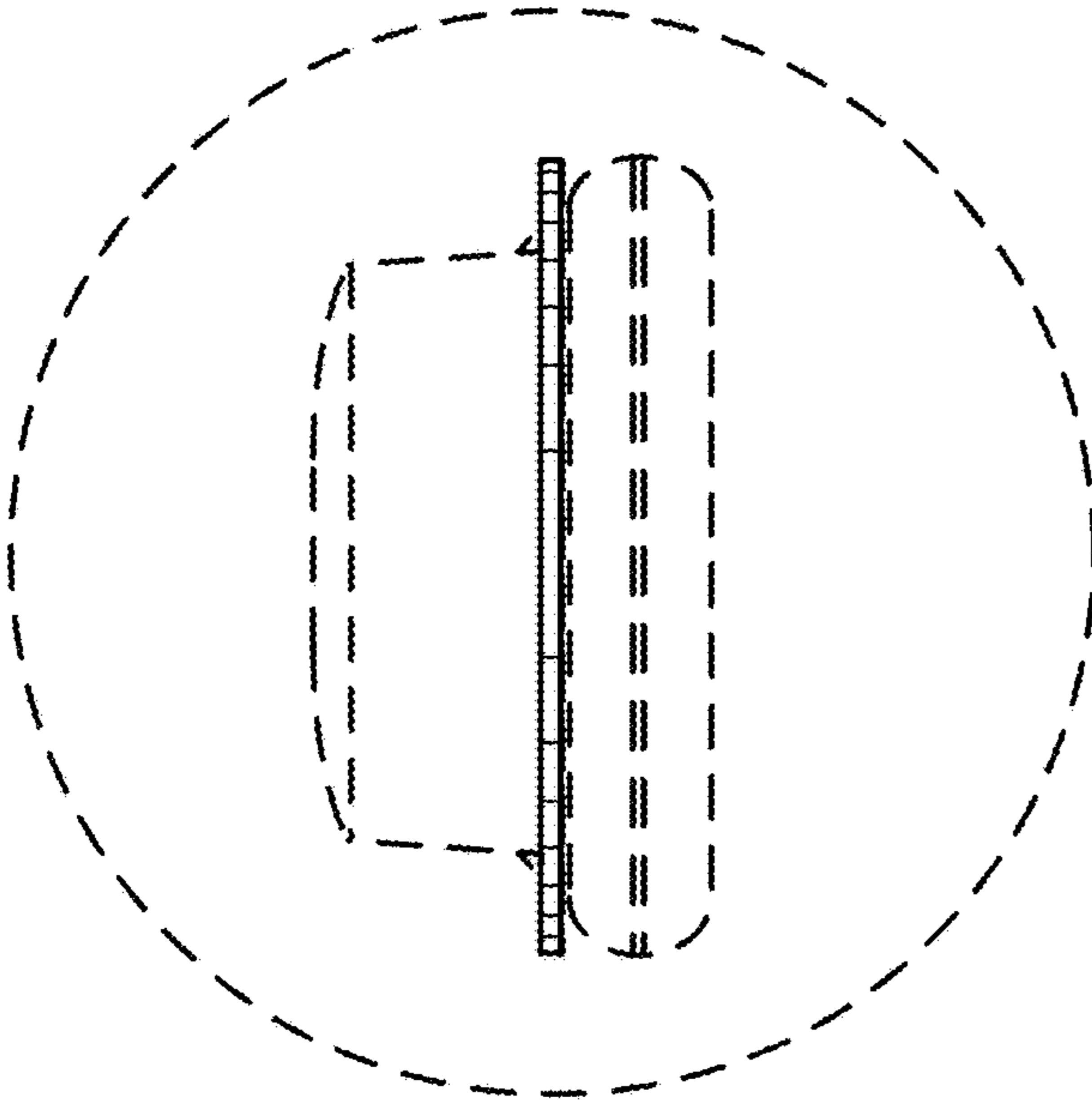


FIG. 11

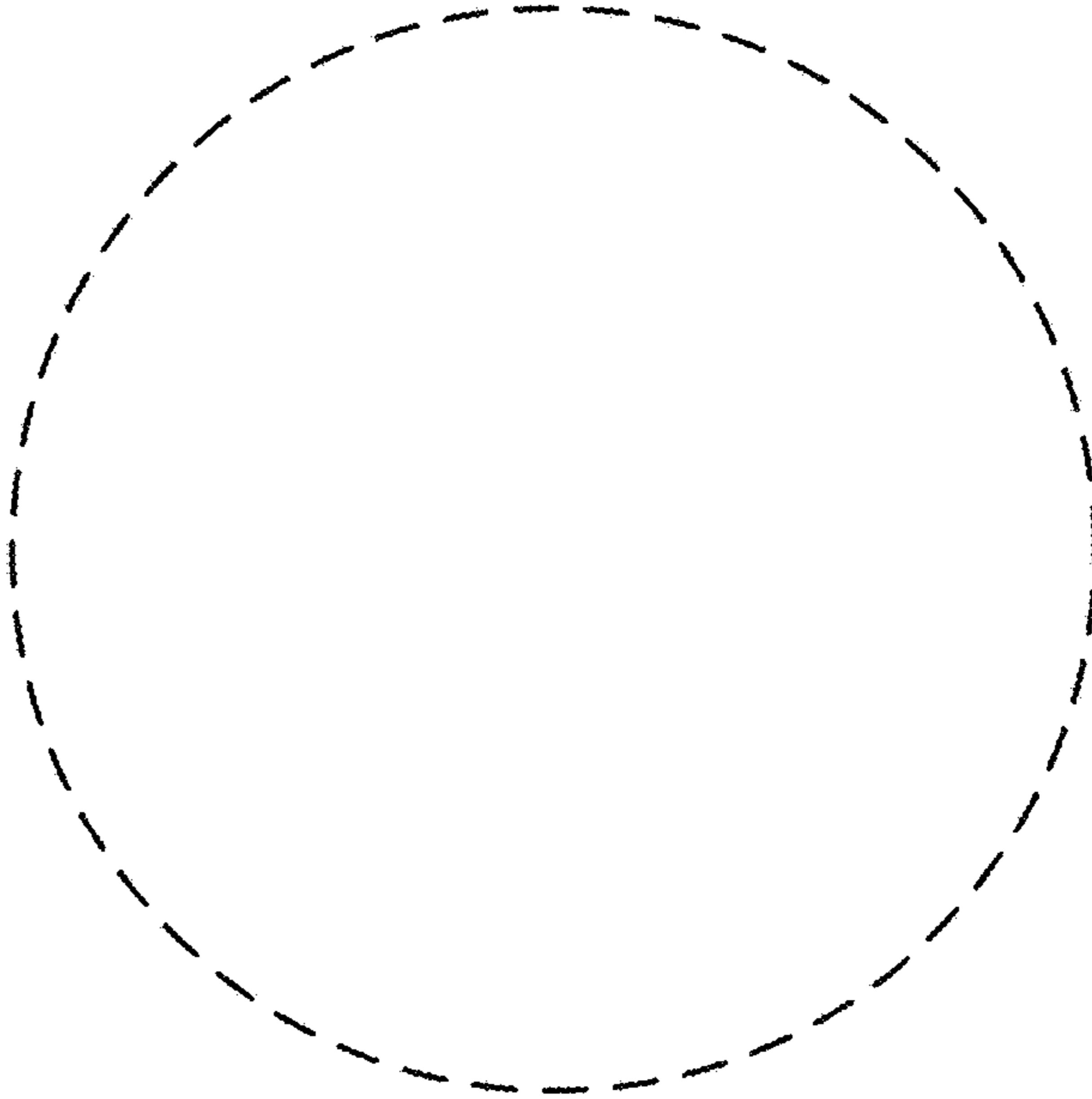


FIG. 12